



US00D763227S

(12) **United States Design Patent**  
**Lee et al.**

(10) **Patent No.:** **US D763,227 S**  
(45) **Date of Patent:** **\*\* Aug. 9, 2016**

(54) **WIRELESS HEADSET**  
(71) Applicant: **LG ELECTRONICS INC.**, Seoul (KR)  
(72) Inventors: **Kunwoo Lee**, Seoul (KR); **Jaeyoung Kim**, Seoul (KR)  
(73) Assignee: **LG Electronics Inc.**, Seoul (KR)  
(\*\*) Term: **15 Years**  
(21) Appl. No.: **29/531,151**  
(22) Filed: **Jun. 23, 2015**

(30) **Foreign Application Priority Data**  
Dec. 24, 2014 (KR) ..... 30-2014-0063171  
(51) **LOC (10) Cl.** ..... **14-01**  
(52) **U.S. Cl.**  
USPC ..... **D14/205**  
(58) **Field of Classification Search**  
USPC ..... D14/205, 188, 192; D24/106; 128/864,  
128/865; D16/309; 2/209.3; 181/129, 130,  
181/135; 381/374, 380, 381, 74, 183, 151,  
381/311, 326, 384, 378, 379, 351; 351/157,  
351/158; 455/90.3, 100, 569.1, 575.2  
CPC ..... H04R 25/00; H04R 1/10; H04R 5/0335;  
H04R 5/033  
See application file for complete search history.

(56) **References Cited**  
U.S. PATENT DOCUMENTS  
2,481,946 A \* 9/1949 Pendleton ..... G02C 3/003  
2/450  
2,891,116 A \* 6/1959 Nichols ..... H04R 25/602  
381/323  
D318,669 S \* 7/1991 Nakayama ..... D14/205  
D337,587 S \* 7/1993 Nakayama ..... D14/205  
D350,354 S \* 9/1994 Nakamura ..... D14/205  
D351,597 S \* 10/1994 Nakamura ..... D14/205  
6,010,216 A \* 1/2000 Jesiek ..... H04B 1/385  
351/158  
D458,245 S \* 6/2002 Masuda ..... D14/192

6,603,863 B1 \* 8/2003 Nagayoshi ..... H04R 5/0335  
381/370  
D550,202 S \* 9/2007 Meier ..... D14/206  
D560,206 S \* 1/2008 Hermansen ..... D14/206  
D575,268 S \* 8/2008 Christopher ..... D14/205  
D579,442 S \* 10/2008 Kim ..... D14/205  
D587,678 S \* 3/2009 Yuyama ..... D14/205  
D587,680 S \* 3/2009 Komiyama ..... D14/205  
D593,538 S \* 6/2009 Chon ..... D14/205  
D594,442 S \* 6/2009 Chon ..... D14/205  
D596,617 S \* 7/2009 Devlas ..... D14/205  
D604,269 S \* 11/2009 Choe ..... D14/205  
D617,308 S \* 6/2010 Nousiainen ..... D14/205  
7,920,902 B2 \* 4/2011 Carroll ..... H04M 1/6066  
381/74  
8,009,853 B2 \* 8/2011 Ito ..... H04R 1/1066  
381/370  
D645,444 S \* 9/2011 Quek ..... D14/205  
D653,234 S \* 1/2012 Lee ..... D14/205

(Continued)

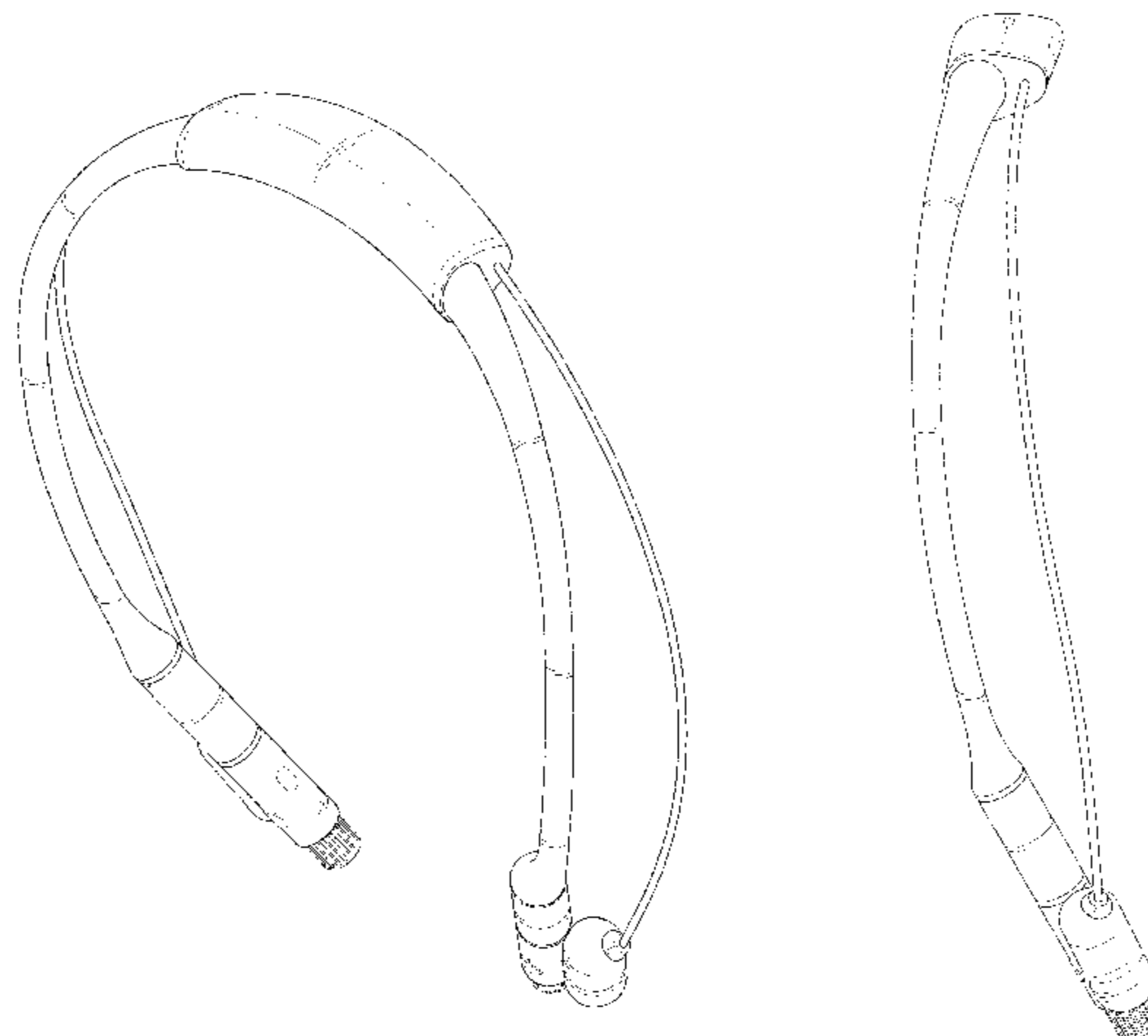
*Primary Examiner* — Paula Greene  
(74) *Attorney, Agent, or Firm* — Birch, Stewart, Kolasch & Birch, LLP

(57) **CLAIM**  
The ornamental design for wireless headset, as shown and described.

**DESCRIPTION**

FIG. 1 is a perspective view of a wireless headset showing our new design;  
FIG. 2 is a front view thereof;  
FIG. 3 is a rear view thereof;  
FIG. 4 is a left side view thereof;  
FIG. 5 is a right side view thereof;  
FIG. 6 is a top plan view thereof;  
FIG. 7 is a bottom plan view thereof;  
FIG. 8 is a reference view thereof showing that the earphone part is detachable and that the both ends of the subject design can be rotated from side to side; and,  
FIG. 9 is a reference view thereof showing an example of the usage of the subject design.  
The broken lines depict portions of the wireless headset that form no part of the claimed design.

**1 Claim, 8 Drawing Sheets**



(56)

References Cited

U.S. PATENT DOCUMENTS

D663,714 S *	7/2012	Kang	.....	D14/205	9,055,795 B2 *	6/2015	Larkin	.....	A45C 11/00
D669,881 S *	10/2012	Clements	.....	D14/205	D743,933 S *	11/2015	Park	.....	D14/205
D678,857 S *	3/2013	Feng	.....	D14/205	D756,958 S *	5/2016	Lee	.....	D14/205
8,411,893 B2 *	4/2013	Ito	.....	H04R 1/105	D756,959 S *	5/2016	Lee	.....	D14/205
				181/135	2007/0003093 A1 *	1/2007	Ito	.....	H04R 5/0335
8,433,082 B2 *	4/2013	Abolfathi	.....	H04R 1/46					381/378
				381/151	2009/0274335 A1 *	11/2009	Cheung	.....	H04R 5/0335
D686,189 S *	7/2013	Lu	.....	D14/205					381/374
D703,634 S *	4/2014	Han	.....	D14/205	2010/0283962 A1 *	11/2010	Williams	.....	G02C 3/003
D706,745 S *	6/2014	Nakagawa	.....	D14/205					351/157
D707,199 S *	6/2014	Cepress	.....	D14/205	2011/0170702 A1 *	7/2011	Bays	.....	H04R 5/0335
D716,759 S *	11/2014	Ha	.....	D14/205					381/74
D721,673 S *	1/2015	Park	.....	D14/205	2012/0170702 A1 *	7/2012	Song	.....	F22B 35/004
D723,510 S *	3/2015	Ishikura	.....	D14/205					376/210
D730,867 S *	6/2015	Park	.....	D14/205	2013/0329903 A1 *	12/2013	Ting	.....	H04R 1/105
D731,999 S *	6/2015	Cepress	.....	D14/205					381/74
					2014/0185837 A1 *	7/2014	Kunimoto	.....	H04R 1/1075
									381/151

\* cited by examiner

FIG. 1

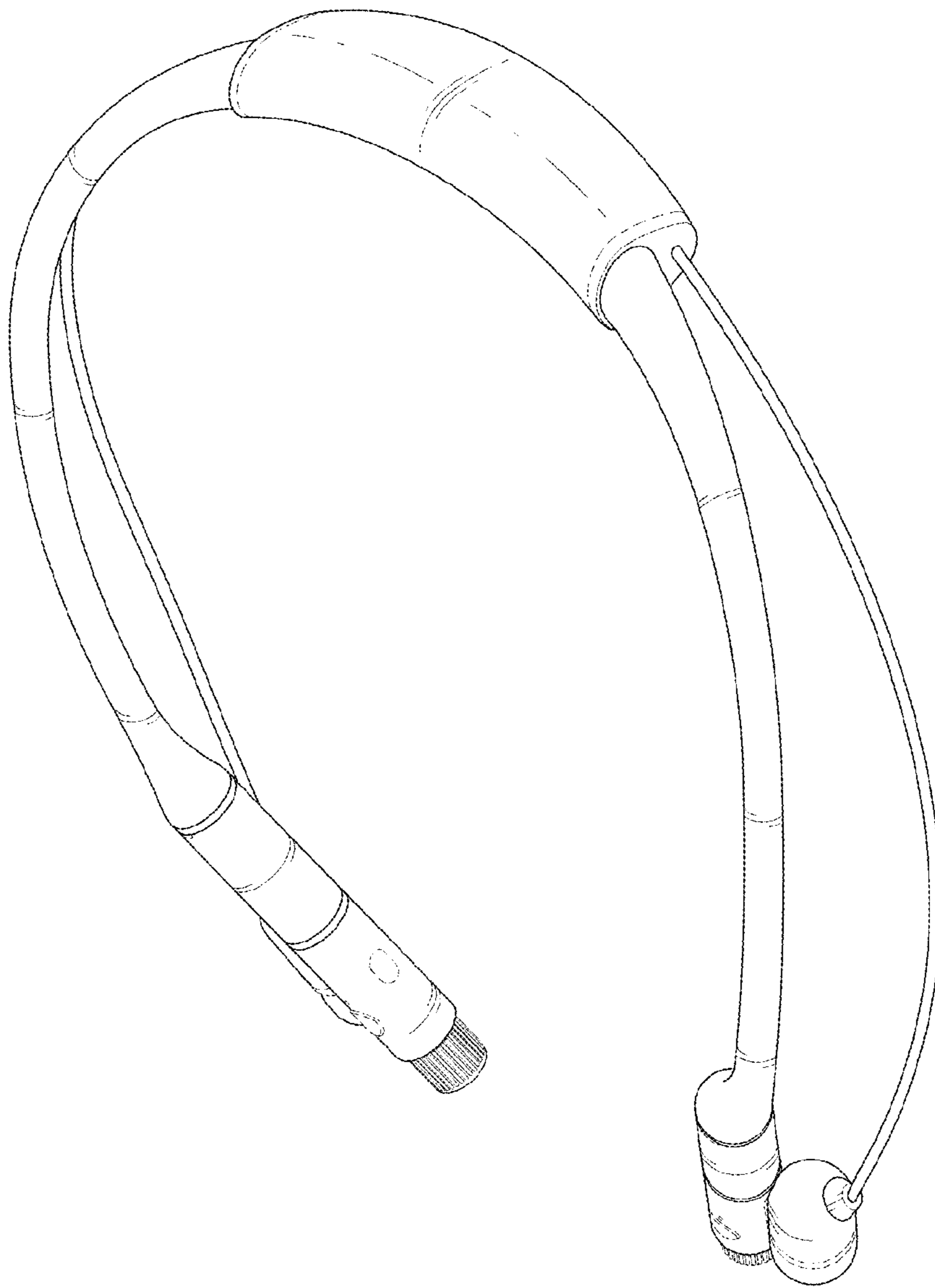


FIG. 2

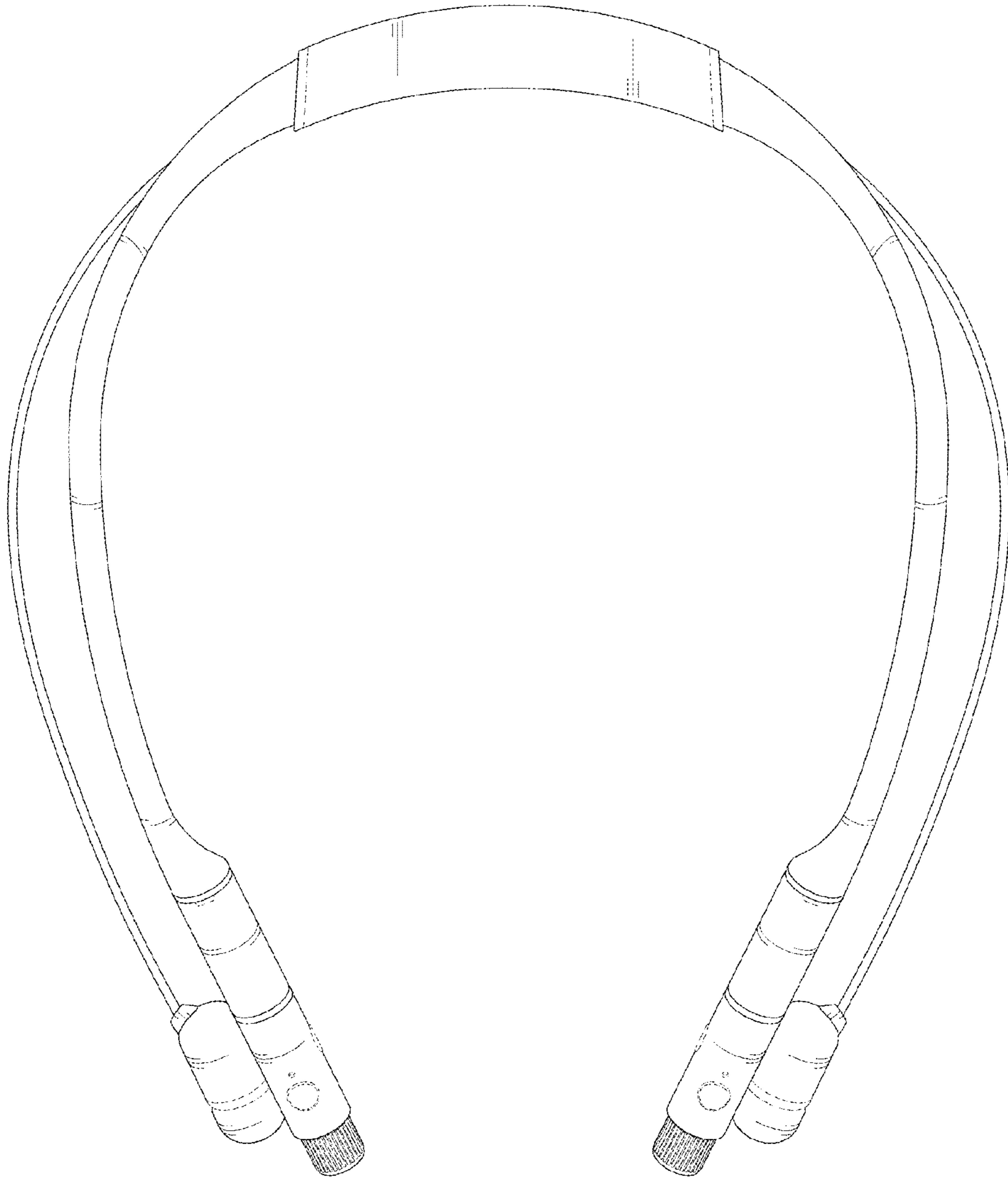


FIG. 3

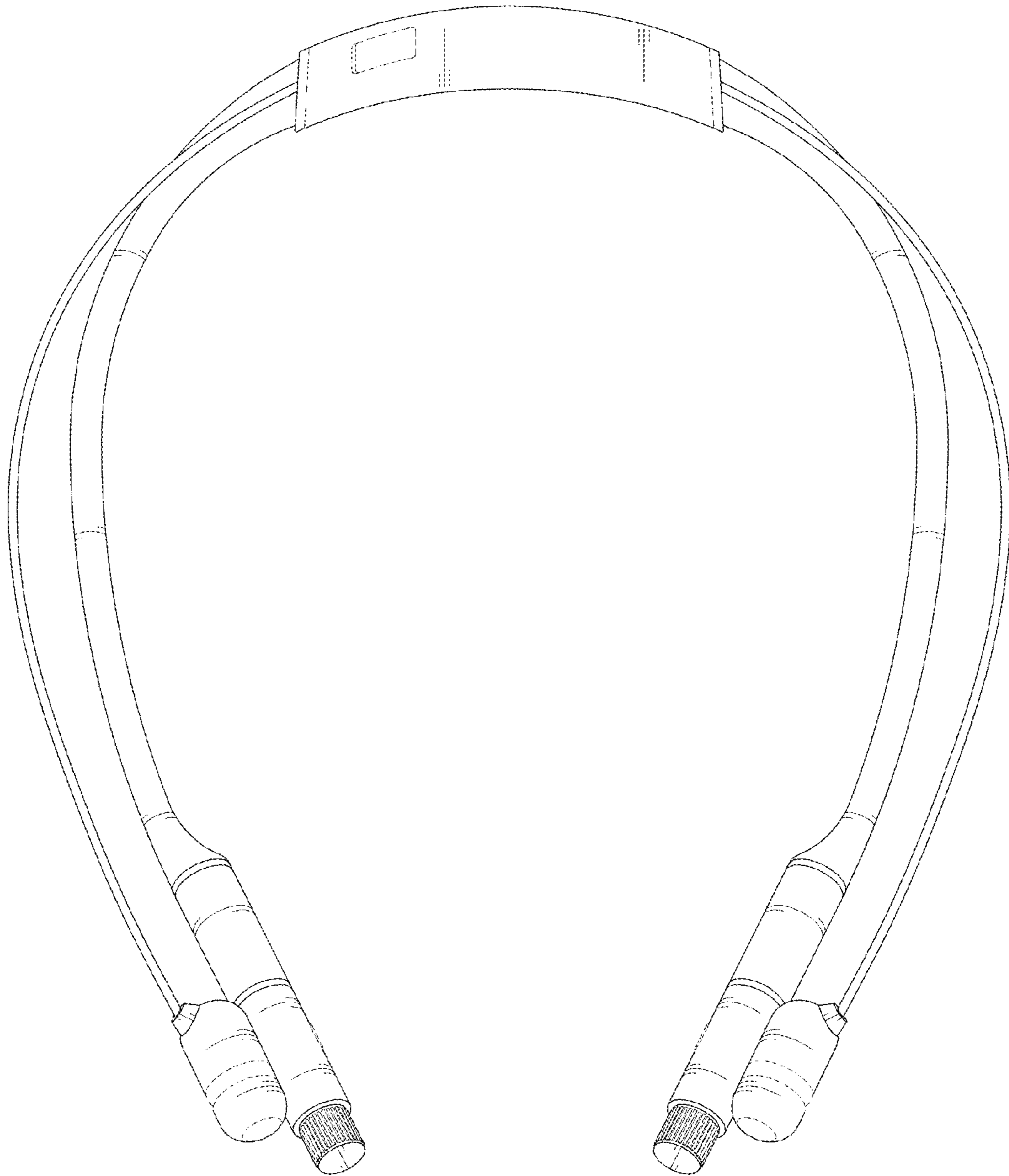




FIG. 4

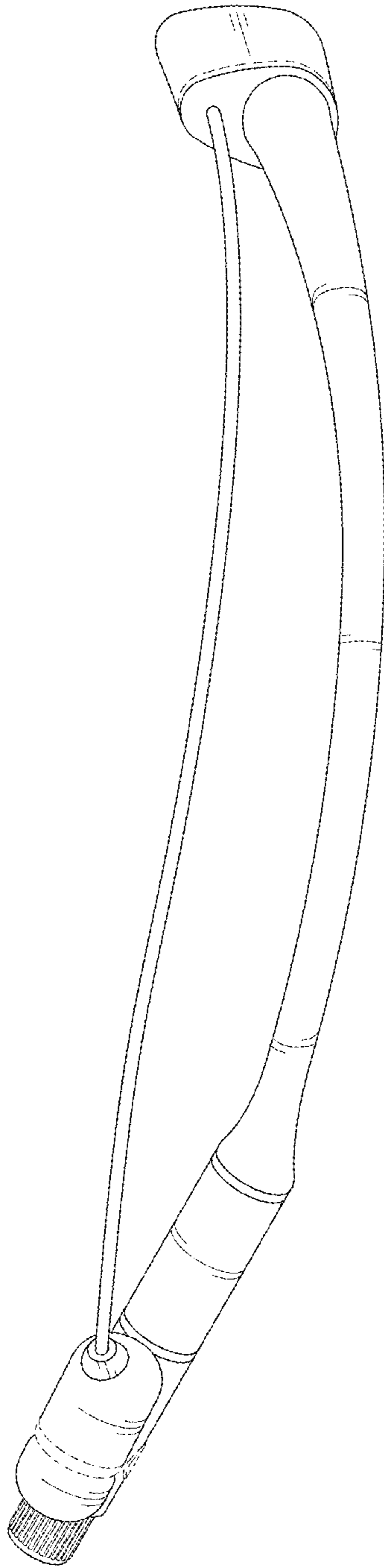


FIG. 5

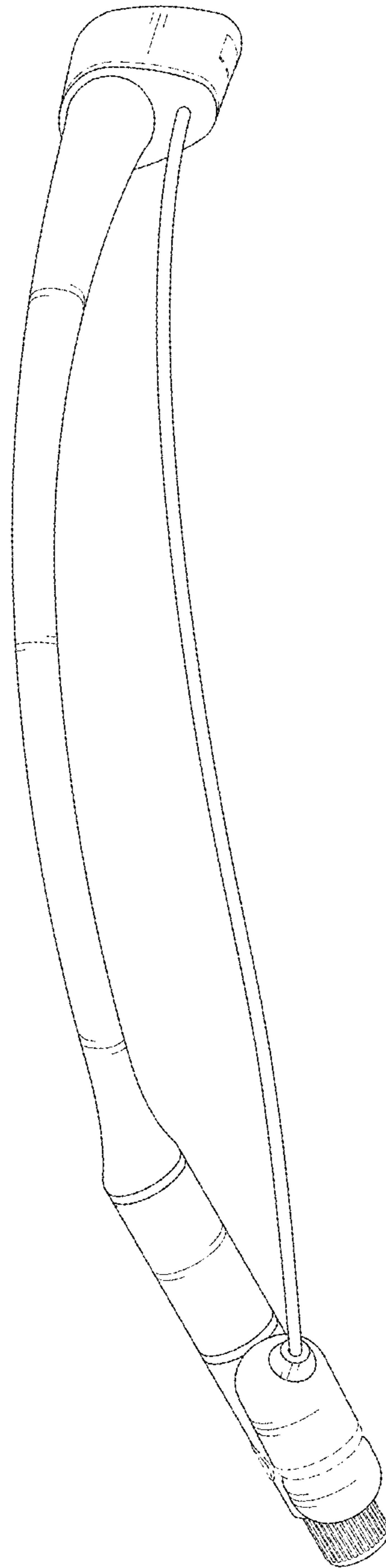


FIG. 6

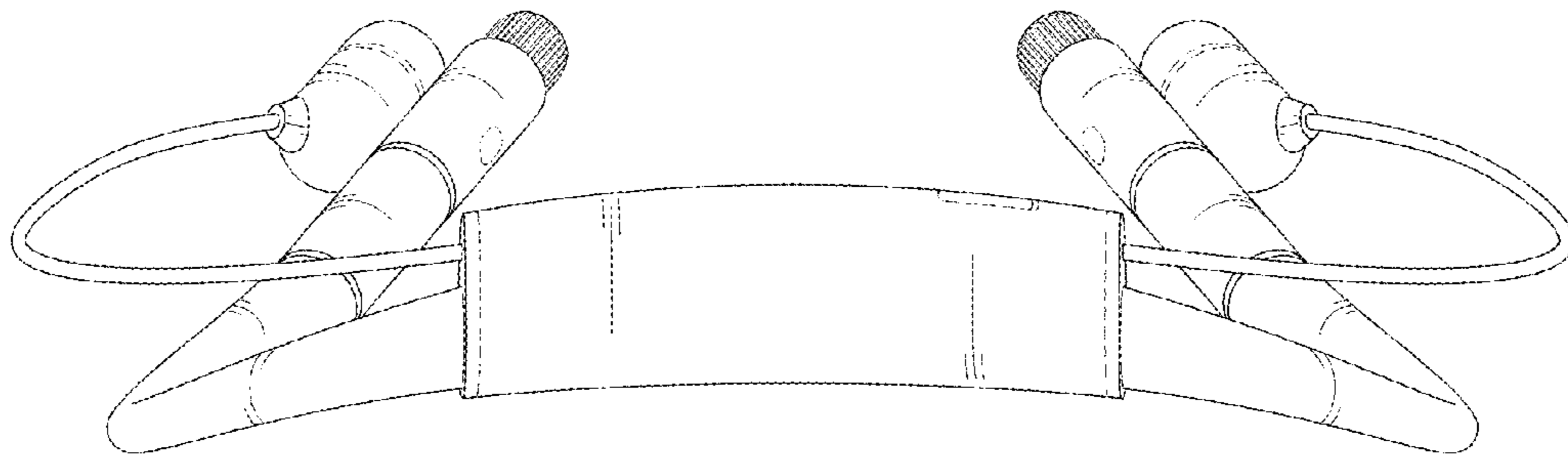


FIG. 7

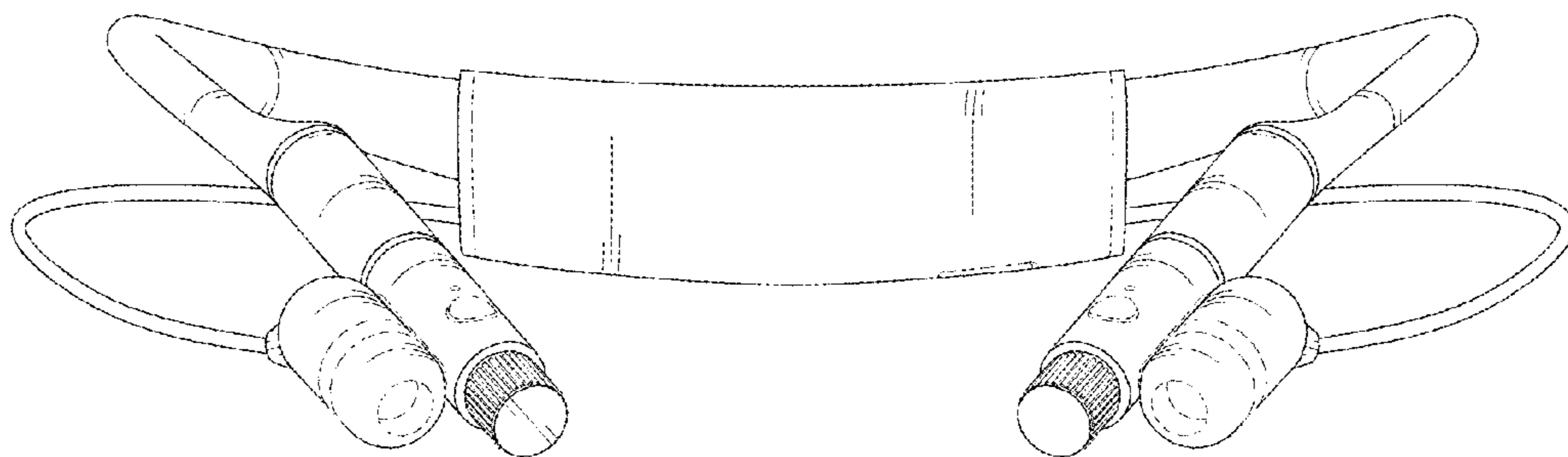




FIG. 8

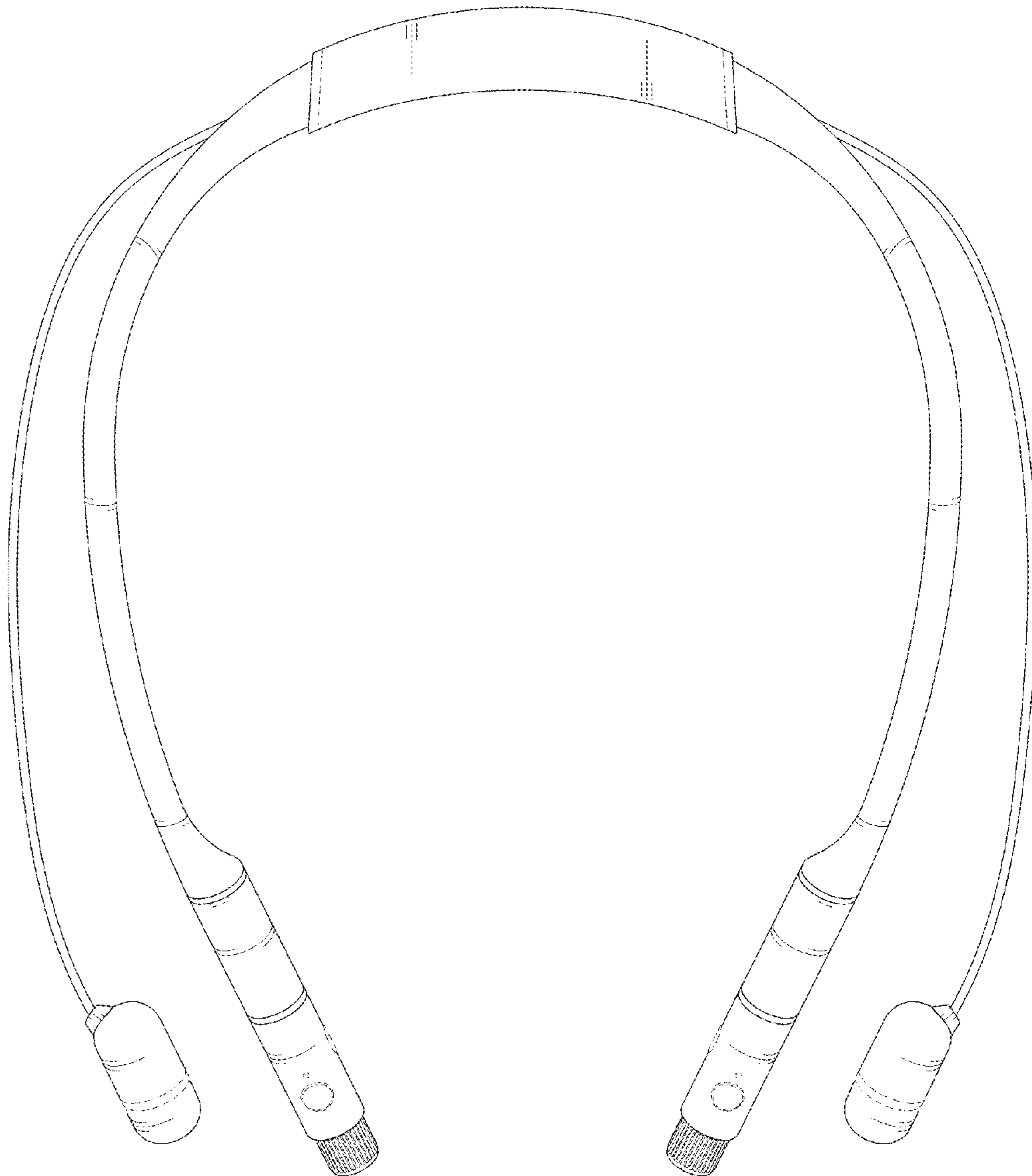


FIG. 9

