



US00D763226S

(12) **United States Design Patent**
Petersén

(10) **Patent No.:** **US D763,226 S**

(45) **Date of Patent:** **** Aug. 9, 2016**

(54) **HEADPHONE**

(71) Applicant: **Zound Industries International AB,**
Stockholm (SE)

(72) Inventor: **Erik Petersén, Johanneshov (SE)**

(73) Assignee: **Zound Industries International AB,**
Stockholm (SE)

(**) Term: **15 Years**

(21) Appl. No.: **29/528,099**

(22) Filed: **May 26, 2015**

Related U.S. Application Data

(62) Division of application No. 29/483,772, filed on Mar. 3, 2014, now Pat. No. Des. 733,090.

(30) **Foreign Application Priority Data**

Sep. 4, 2013 (EM) 002302638-0001
Sep. 4, 2013 (EM) 002302638-0002

(51) **LOC (10) Cl.** **14-01**

(52) **U.S. Cl.**
USPC **D14/205**

(58) **Field of Classification Search**
USPC D14/205; D29/112; 2/209; 181/129,
181/130, 135; 379/430, 431; 381/380, 381,
381/374; 455/90.3, 575.1
CPC H04R 1/1066; H04R 25/00; H04R 5/033;
H04R 5/0335
See application file for complete search history.

(56) **References Cited**

U.S. PATENT DOCUMENTS

2,420,245 A * 5/1947 Hurst A61F 11/06
2/209
2,437,049 A * 3/1948 Salisbury A61F 11/14
128/866

3,119,119 A 1/1964 Millinger et al.
D246,259 S * 11/1977 Nishimura D14/205
D270,634 S * 9/1983 Ungar D14/205
4,403,120 A * 9/1983 Yoshimi H04R 1/225
181/129
4,499,593 A * 2/1985 Antle H04R 1/1033
381/309
4,597,469 A * 7/1986 Nagashima H04R 5/0335
181/129
D301,145 S * 5/1989 Besasie D14/205
D328,461 S * 8/1992 Daido D14/205
5,369,857 A * 12/1994 Sacherman H04R 5/0335
29/594
D390,564 S * 2/1998 Savona D14/205
D410,466 S * 6/1999 Mouri D14/205
D430,140 S * 8/2000 Roman D14/205
D473,539 S * 4/2003 O'Leary D14/205
D531,984 S * 11/2006 Koss D14/205
D534,155 S 12/2006 Obata
D538,261 S * 3/2007 Taylor D14/205
D540,301 S * 4/2007 Obata D14/205
D563,382 S 3/2008 Wikel
D582,890 S * 12/2008 Koza D14/205
D592,640 S 5/2009 Tkachuk

(Continued)

Primary Examiner — Paula Greene

(74) *Attorney, Agent, or Firm* — Capitol City TechLaw

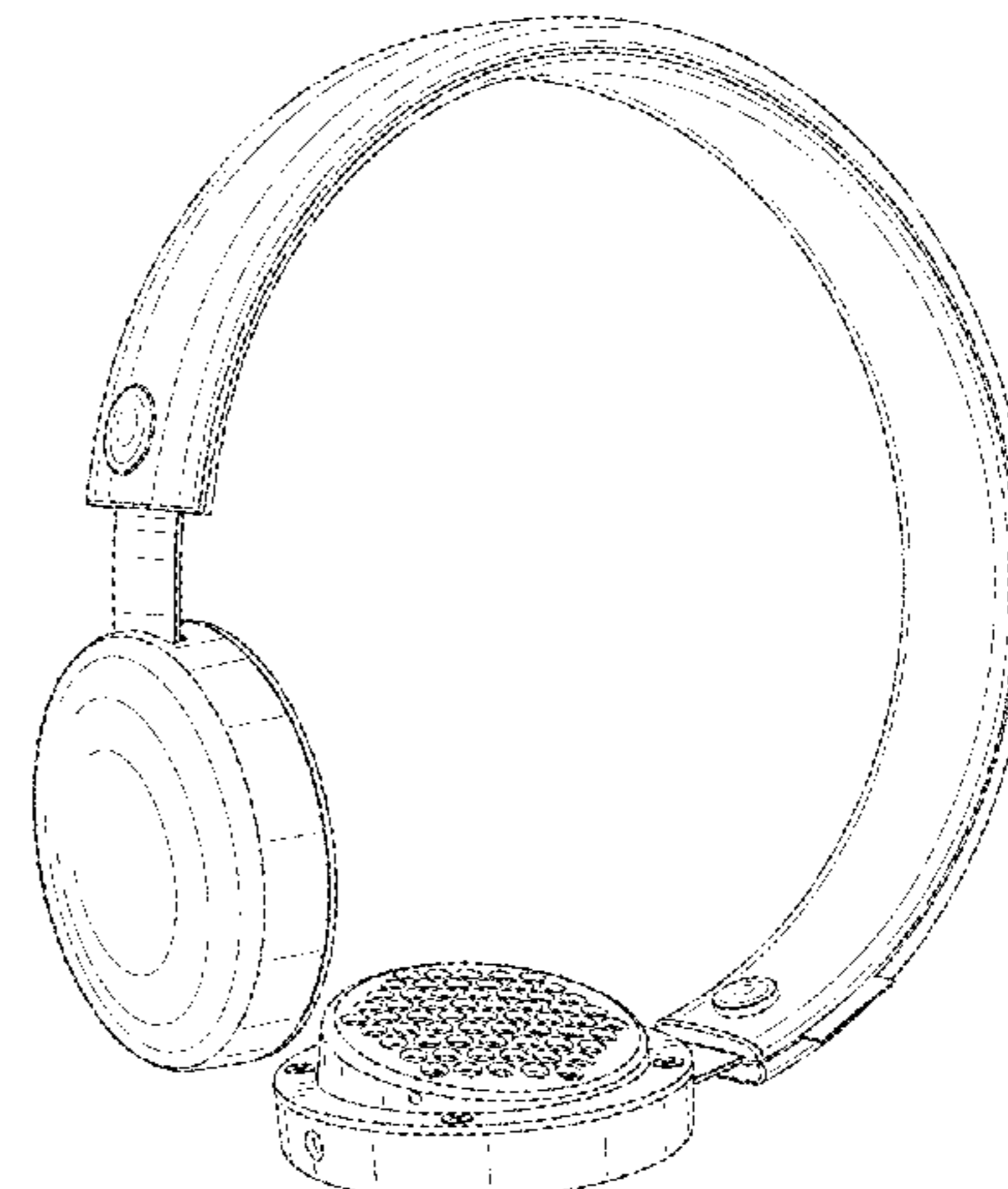
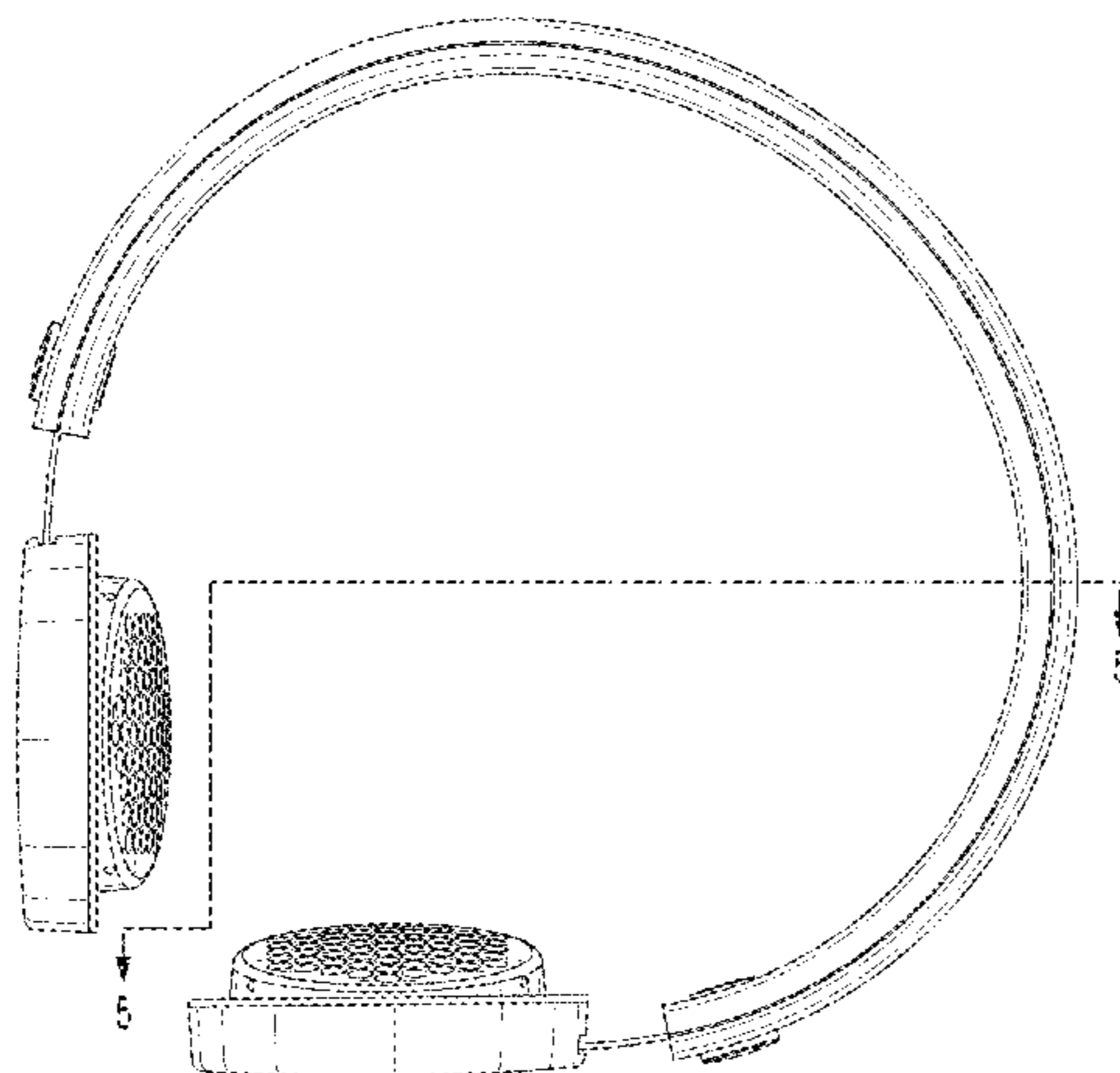
(57) **CLAIM**

The ornamental design for a headphone, as shown and described.

DESCRIPTION

FIG. 1 is a rear view of a headphone showing my new design;
FIG. 2 is a front view thereof;
FIG. 3 is a rear, bottom, and right side perspective view thereof;
FIG. 4 is front, bottom, and right side perspective view thereof;
FIG. 5 is a cross-sectional view taken in the direction of line 5-5 shown in FIG. 1; and,
FIG. 6 is a cross-sectional view taken in the direction of line 6-6 shown in FIG. 2.

1 Claim, 6 Drawing Sheets



(56)

References Cited

U.S. PATENT DOCUMENTS

D625,705 S	10/2010	Ohori et al.	
D634,298 S *	3/2011	Shimizu	D14/205
8,098,872 B2 *	1/2012	Chang	H04R 1/1075 381/370
D657,345 S	4/2012	Brunner et al.	
D658,158 S	4/2012	Suzuki	
8,259,529 B2 *	9/2012	Lee	G11C 8/08 365/185.17
8,295,529 B2	10/2012	Petersen et al.	
D683,329 S	5/2013	Hagelin	
D684,140 S *	6/2013	Enquist	D14/205
D696,226 S	12/2013	Brunner et al.	
D704,163 S	5/2014	Brunner et al.	
D707,200 S *	6/2014	Yang	D14/205
8,755,555 B2 *	6/2014	Dougherty	H04R 1/1066 381/370
D709,050 S *	7/2014	Enquist	D14/205
D713,374 S	9/2014	Ferrage	
D722,998 S *	2/2015	Sancho	D14/205
D724,561 S *	3/2015	Ko	D14/205
D728,512 S *	5/2015	Nakagawa	D14/205
9,031,254 B2 *	5/2015	Heise	H04R 1/1066 379/55.1
D739,842 S *	9/2015	Birger	D14/205

* cited by examiner

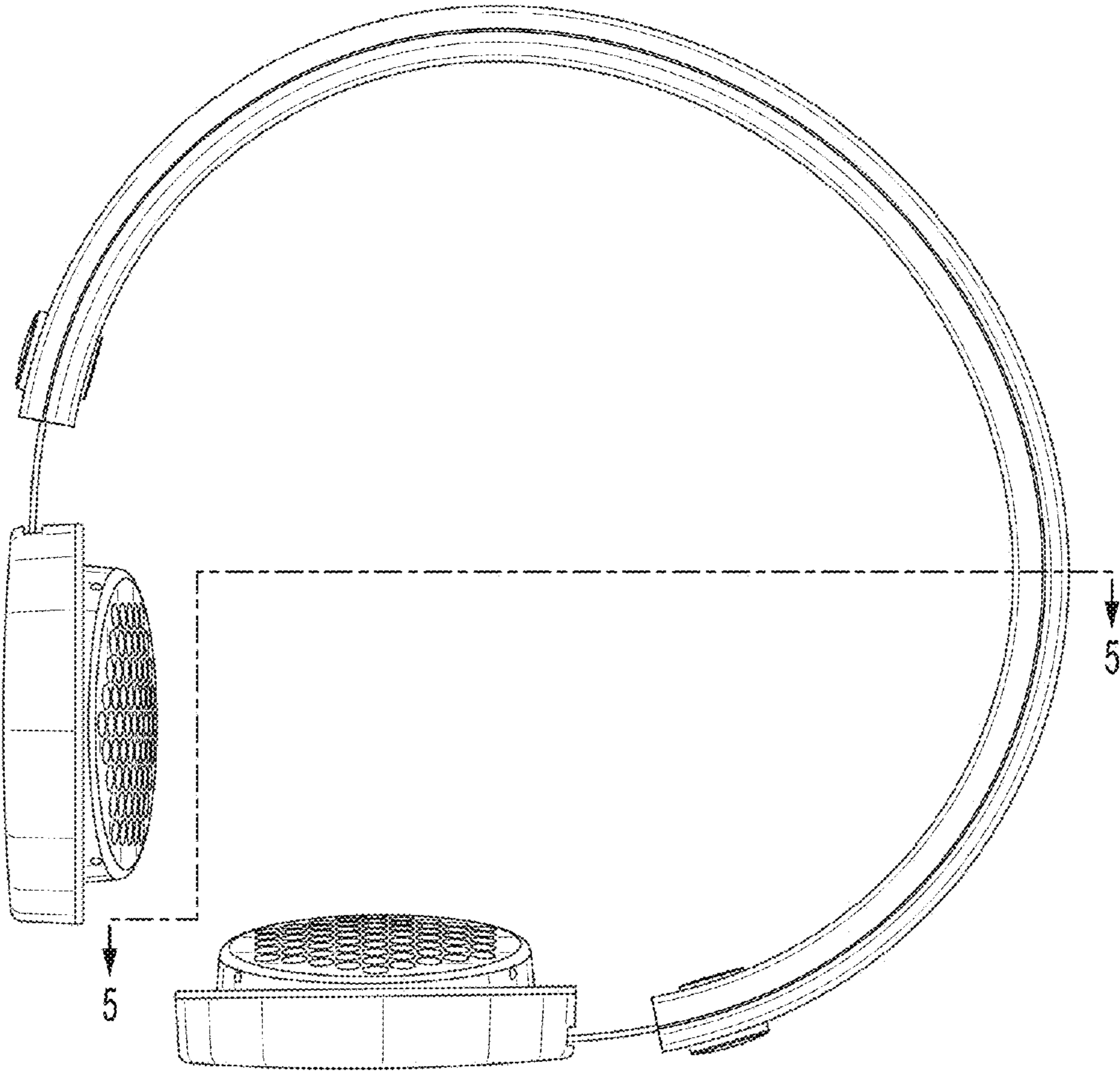


FIG. 1

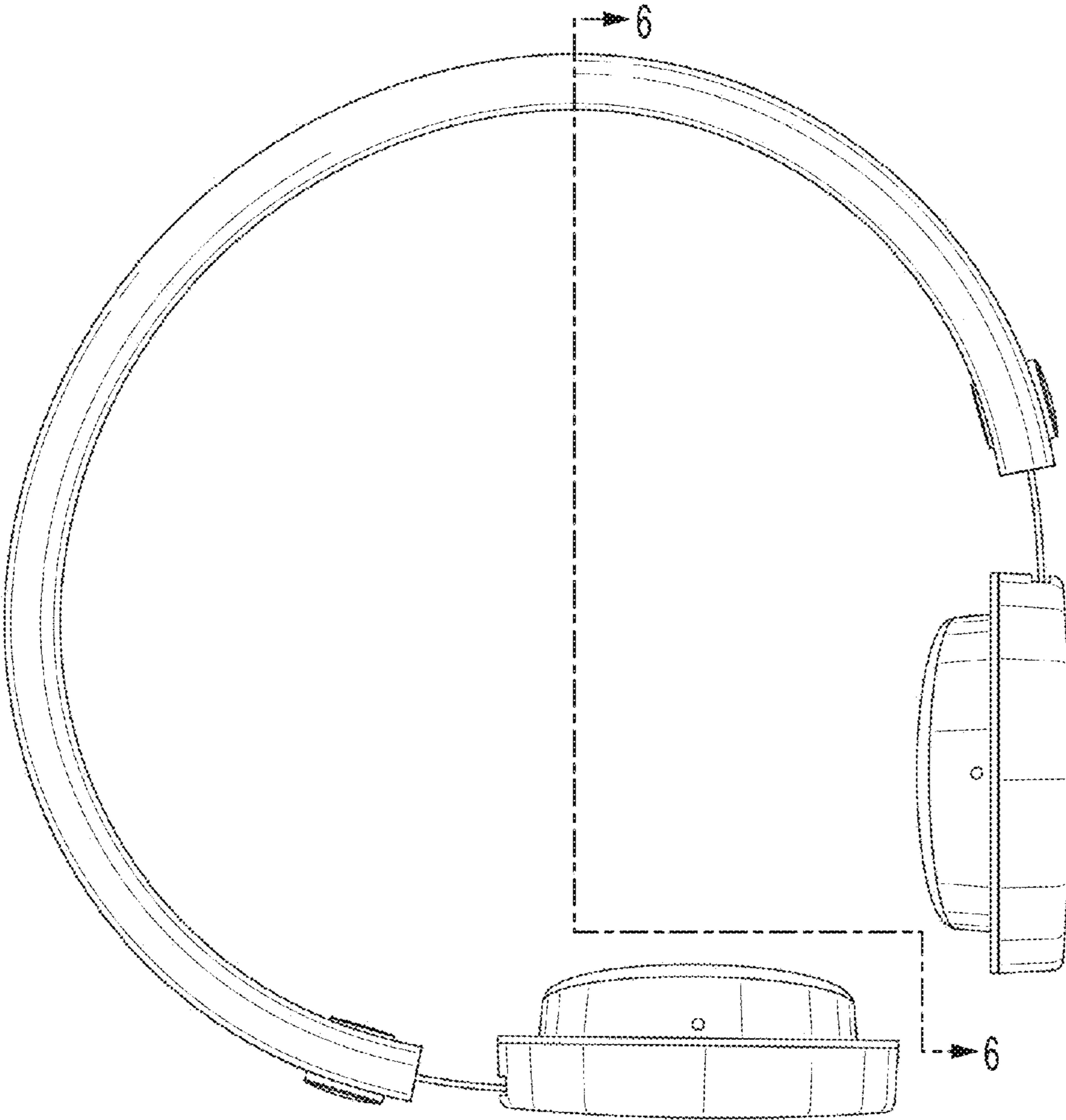


FIG. 2



FIG. 3

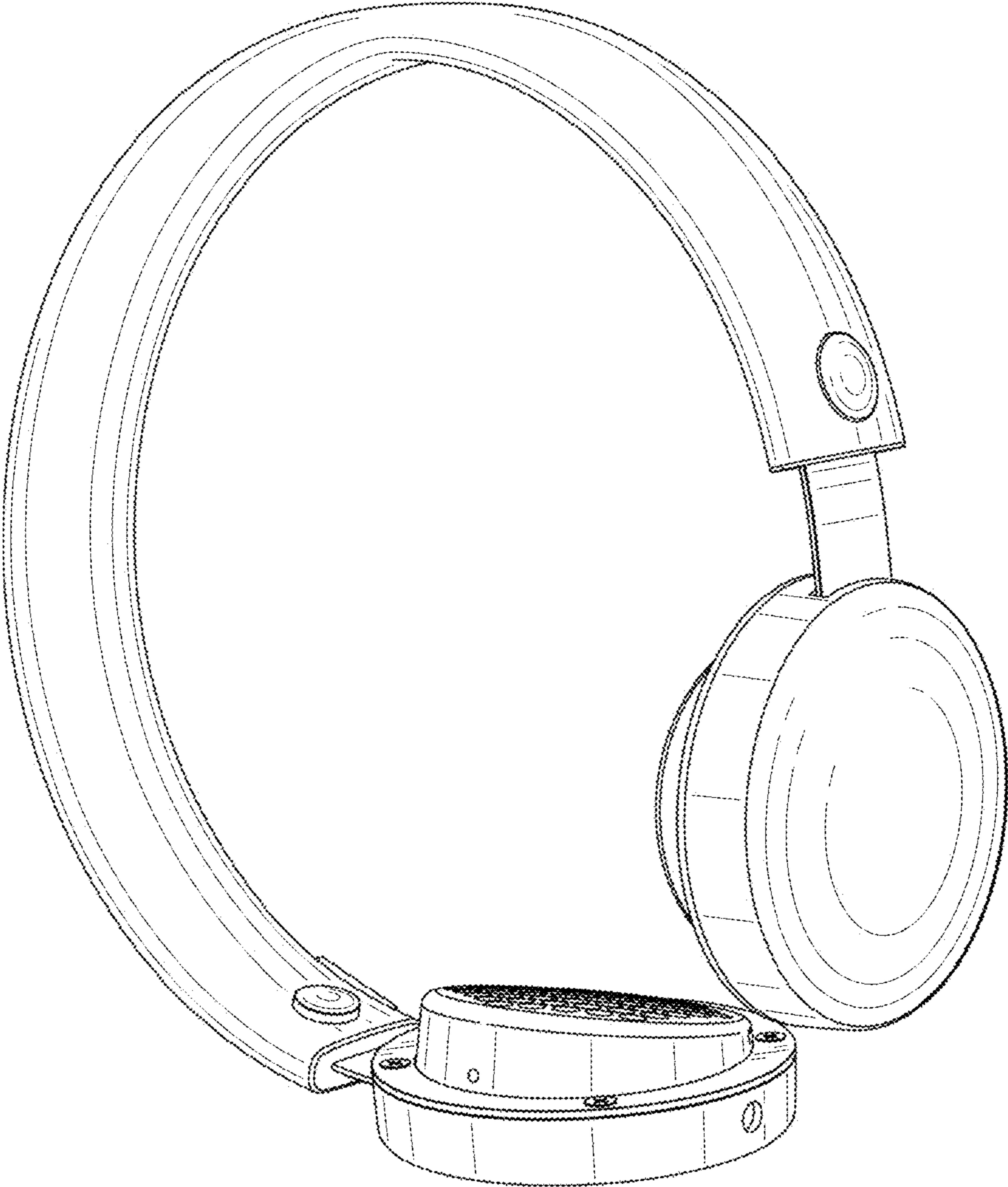


FIG. 4

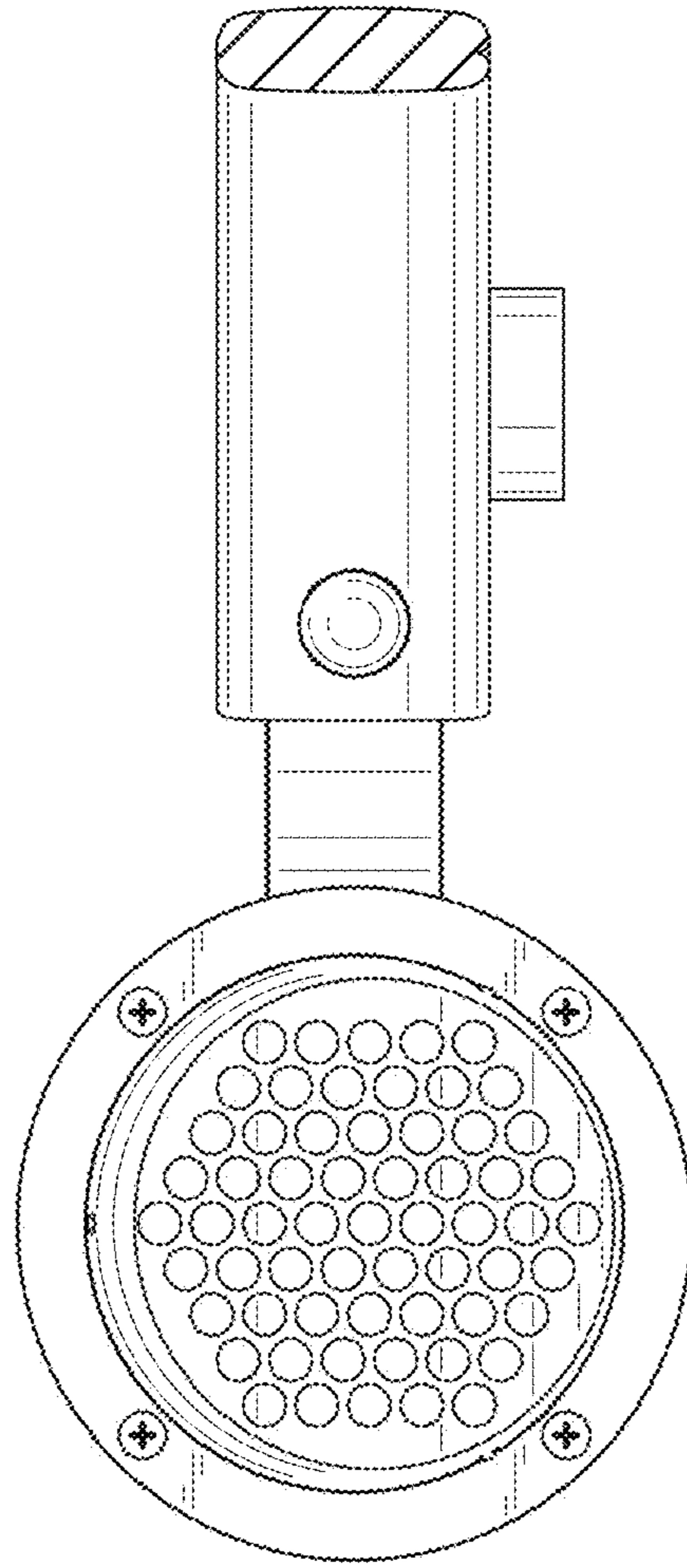


FIG. 5

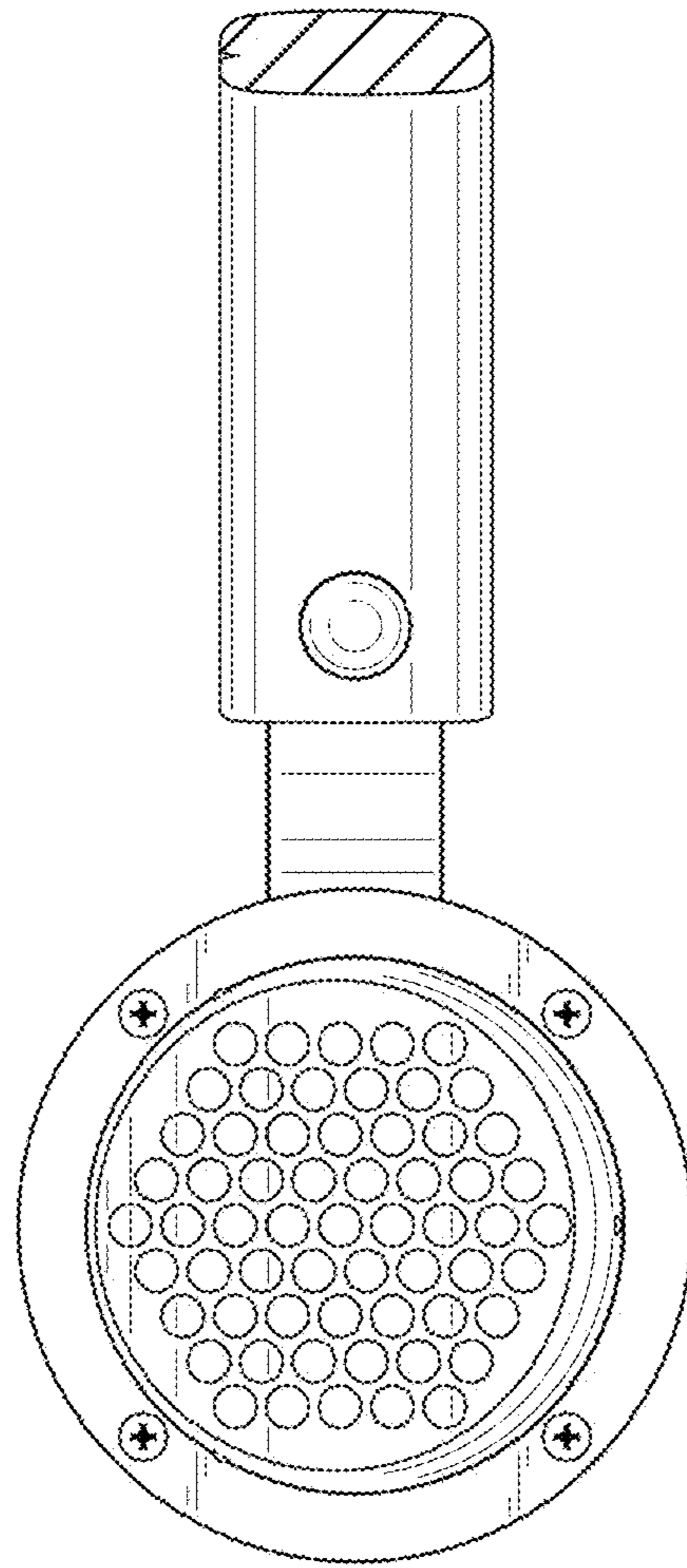


FIG. 6