



US00D763223S

(12) **United States Design Patent**
Czaniecki

(10) **Patent No.:** **US D763,223 S**
(45) **Date of Patent:** **** Aug. 9, 2016**

(54) **HEADPHONE**

(71) Applicant: **AKG Acoustics GmbH**, Vienna (AT)

(72) Inventor: **Rafal Czaniecki**, Shenzhen (CN)

(73) Assignee: **AKG Acoustics GmbH**, Vienna (AT)

(**) Term: **14 Years**

(21) Appl. No.: **29/519,134**

(22) Filed: **Mar. 2, 2015**

Related U.S. Application Data

(63) Continuation-in-part of application No. 29/492,679, filed on Jun. 2, 2014, now Pat. No. Des. 727,289.

(51) **LOC (10) Cl.** **14-01**

(52) **U.S. Cl.**
USPC **D14/205**

(58) **Field of Classification Search**
USPC D14/205, 223; D29/112; 2/209;
181/129, 130, 135; 379/430, 431;
381/380, 381, 374; 455/90.1, 575.1
CPC H04R 1/1066; H04R 1/10
See application file for complete search history.

(56) **References Cited**

U.S. PATENT DOCUMENTS

678,170 A	7/1901	Gardner	
1,398,958 A	12/1921	Basch	
D68,060 S	8/1925	Pacent	
4,634,816 A	1/1987	O'Malley et al.	
5,018,599 A *	5/1991	Dohi	H04R 1/1008 181/129
D318,669 S	7/1991	Nakayama	
D328,074 S *	7/1992	Yamazaki	D14/205
D328,461 S	8/1992	Daido et al.	
5,369,857 A	12/1994	Sacherman et al.	
5,459,290 A	10/1995	Yamagishi	
D373,360 S *	9/1996	Kanno	D14/205
D375,312 S	11/1996	Kanno	

D376,598 S *	12/1996	Hayashi	D14/205
D377,021 S	12/1996	Isono	
D410,466 S *	6/1999	Mouri	D14/205
D435,249 S *	12/2000	Yasutomi	D14/205
D484,485 S *	12/2003	Matsuoka	D14/205
D505,411 S	5/2005	Sakai	
D532,407 S *	11/2006	Motoishi	D14/205
7,172,052 B2	2/2007	Lenhard-Backhaus	
D573,581 S	7/2008	Gondo et al.	
D582,890 S	12/2008	Koza et al.	
D594,847 S	6/2009	Suzuki	
D597,070 S *	7/2009	Zheng	D14/205
7,580,539 B2	8/2009	Tachikawa	
D635,124 S	3/2011	Morimoto	
8,098,872 B2	1/2012	Chang	
D656,125 S	3/2012	Komiyama et al.	
D659,116 S	5/2012	Iseki	
D664,113 S	7/2012	Katsumata et al.	
D666,990 S	9/2012	Komiyama et al.	
D677,243 S	3/2013	Kitayama et al.	
D683,329 S	5/2013	Hagelin	
D686,190 S	7/2013	Karacal et al.	
D688,649 S	8/2013	Combs et al.	
D691,109 S	10/2013	Hardi et al.	
D696,644 S	12/2013	Sejpk	
D704,161 S	5/2014	Morimoto et al.	
D727,289 S	4/2015	Czaniecki	
D746,790 S *	1/2016	Strasberg	D14/205

* cited by examiner

Primary Examiner — Paula Greene

(74) *Attorney, Agent, or Firm* — Plumsea Law Group, LLC

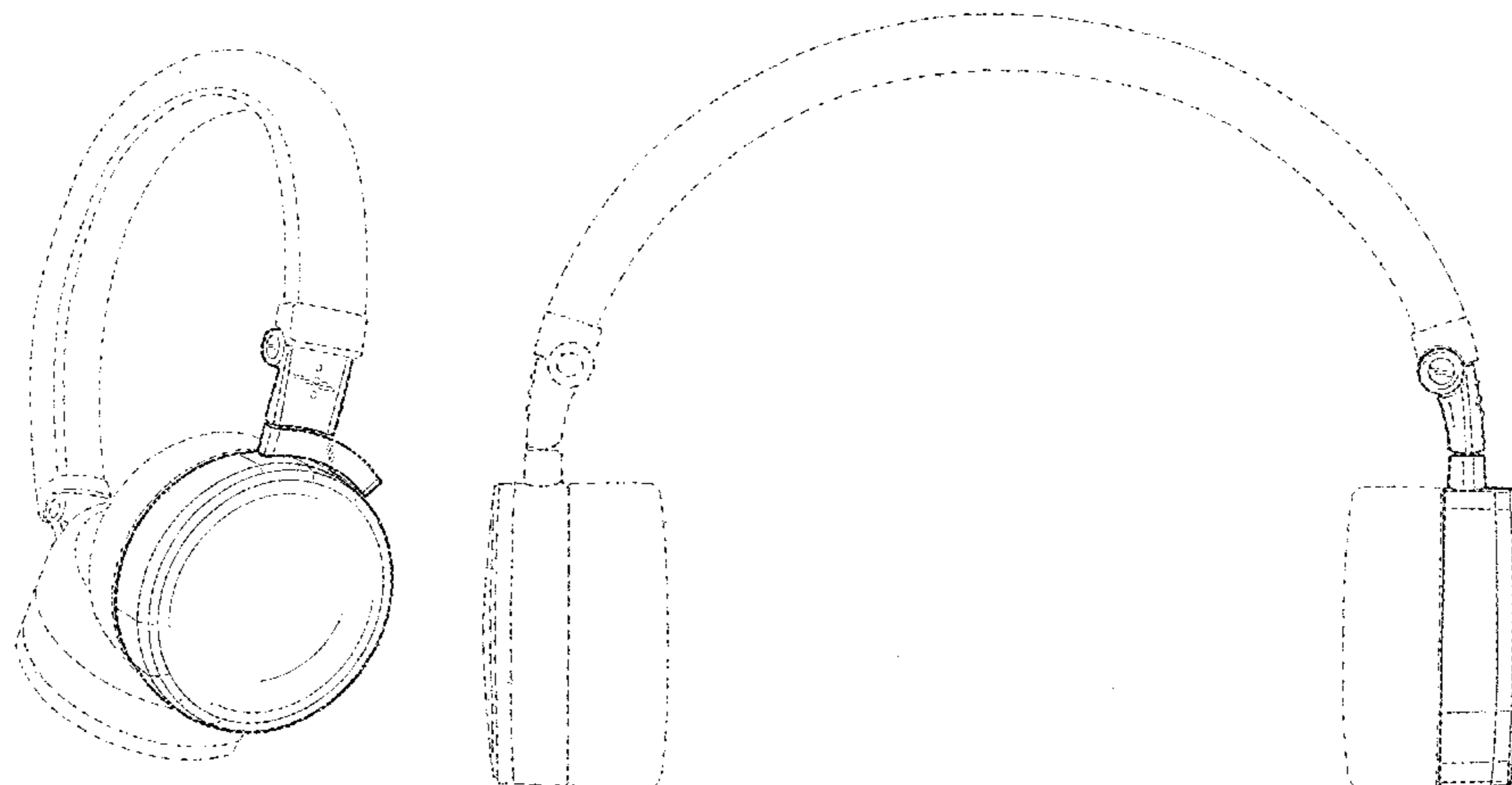
(57) **CLAIM**

The ornamental design for a headphone, as shown and described.

DESCRIPTION

FIG. 1 is a perspective view of a headphone showing my new design;
FIG. 2 is a side elevational view thereof; and,
FIG. 3 a front elevational view thereof.
The broken line showings form no part of the claimed design.

1 Claim, 3 Drawing Sheets



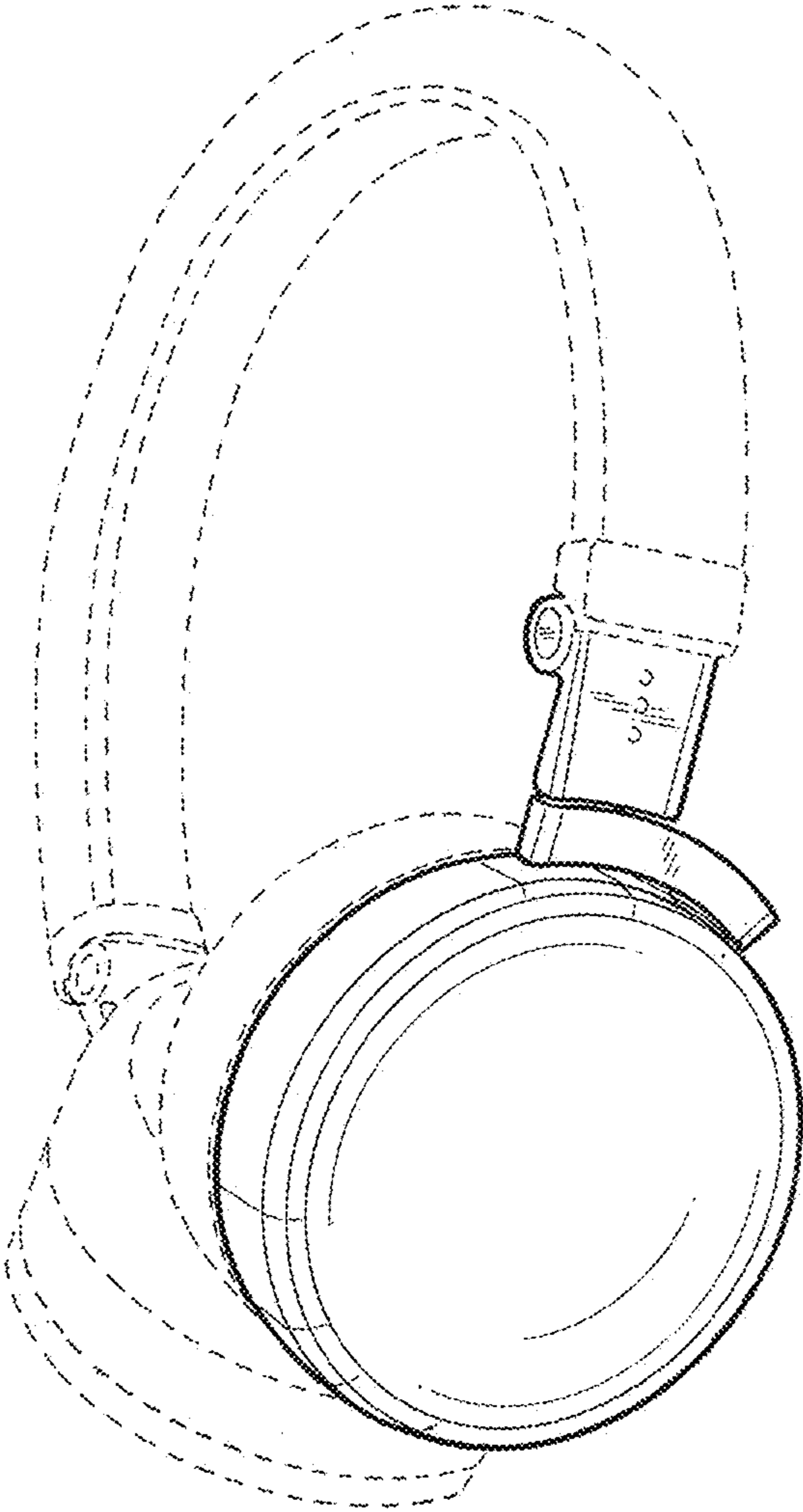


FIG. 1

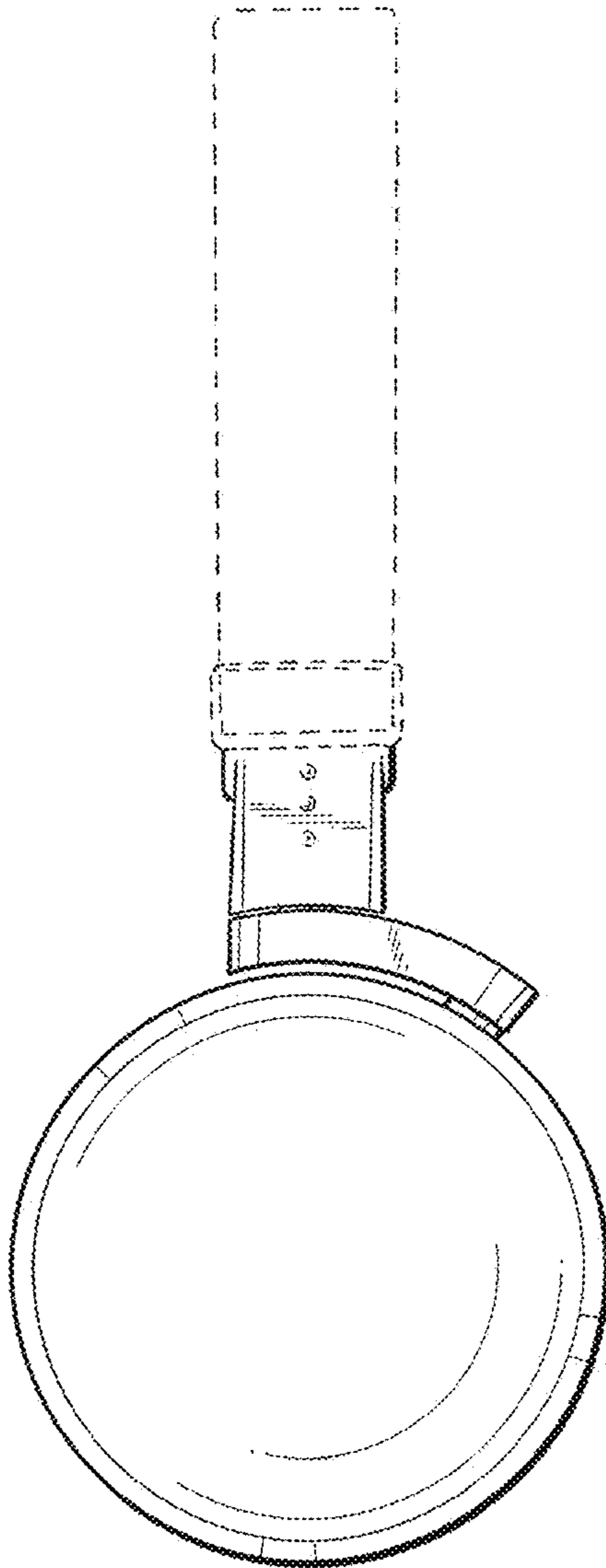


FIG. 2

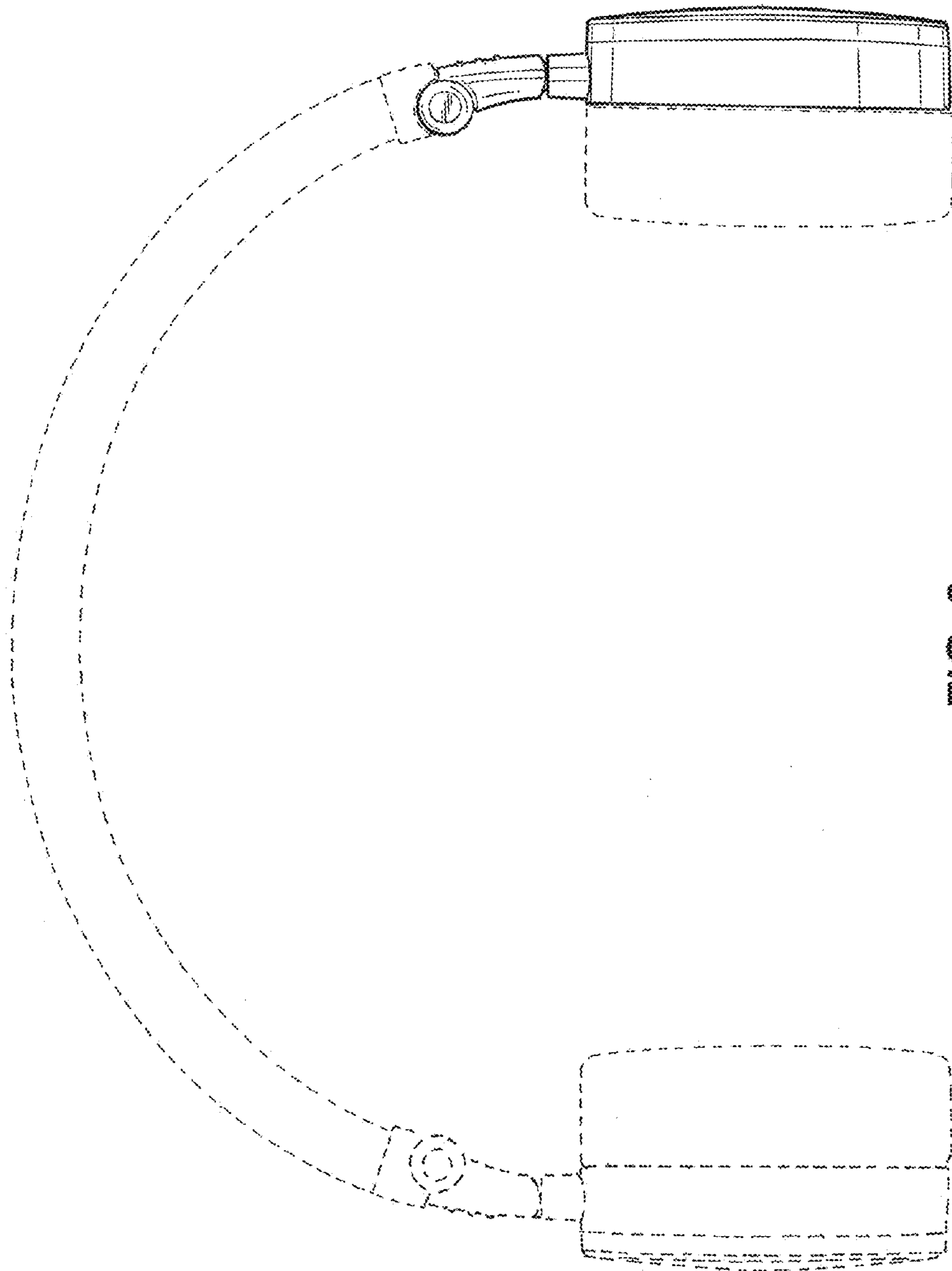


FIG. 3