



US00D763217S

(12) **United States Design Patent**
Behar

(10) **Patent No.:** **US D763,217 S**
(45) **Date of Patent:** **** Aug. 9, 2016**

(54) **TELEVISION RECEIVER**

- (71) Applicant: **Samsung Electronics Co., Ltd.**,
Suwon-si (KR)
- (72) Inventor: **Yves Behar**, San Francisco, CA (US)
- (73) Assignee: **Samsung Electronics Co., Ltd.**,
Suwon-si (KR)
- (**) Term: **15 Years**
- (21) Appl. No.: **29/530,208**
- (22) Filed: **Jun. 15, 2015**
- (30) **Foreign Application Priority Data**

Jan. 30, 2015 (KR) 30-2015-0005233

(51) **LOC (10) Cl.** **14-03**

(52) **U.S. Cl.**
USPC **D14/134; D14/126**

(58) **Field of Classification Search**
USPC D14/125-134, 239, 371, 136, 374-377,
D14/440, 450, 448, 336, 342, 159; 312/7.2;
348/836, 838, 180, 184, 325, 739;
248/917-924, 465; 345/104, 133, 156,
345/168, 87, 173; D21/329, 515, 577, 622,
D21/333, 433, 448, 452, 450, 331, 505;
D10/15, 26; 446/484, 175, 356;
D6/477, 479, 300; D20/10, 19, 39
CPC ... G06F 1/1601; G06F 1/1643; H05K 5/0004;
H05K 5/0017; H05K 5/02; H05K 5/0217;
H04N 13/0459

See application file for complete search history.

(56) **References Cited**

U.S. PATENT DOCUMENTS

D505,403 S * 5/2005 Kita D14/126
D512,385 S * 12/2005 Kita D14/126

(Continued)

FOREIGN PATENT DOCUMENTS

CN 20130255118.5 11/2013
JP D1332681 6/2008
JP D1453432 10/2012

OTHER PUBLICATIONS

“16”—E1659FWU” www.us.aoc.com <http://us.aoc.com/monitor_ displays/e1659fwu>.

(Continued)

Primary Examiner — Raphael Barkai
(74) *Attorney, Agent, or Firm* — NSIP Law

(57) **CLAIM**

I claim the ornamental design for a television receiver, as shown and described.

DESCRIPTION

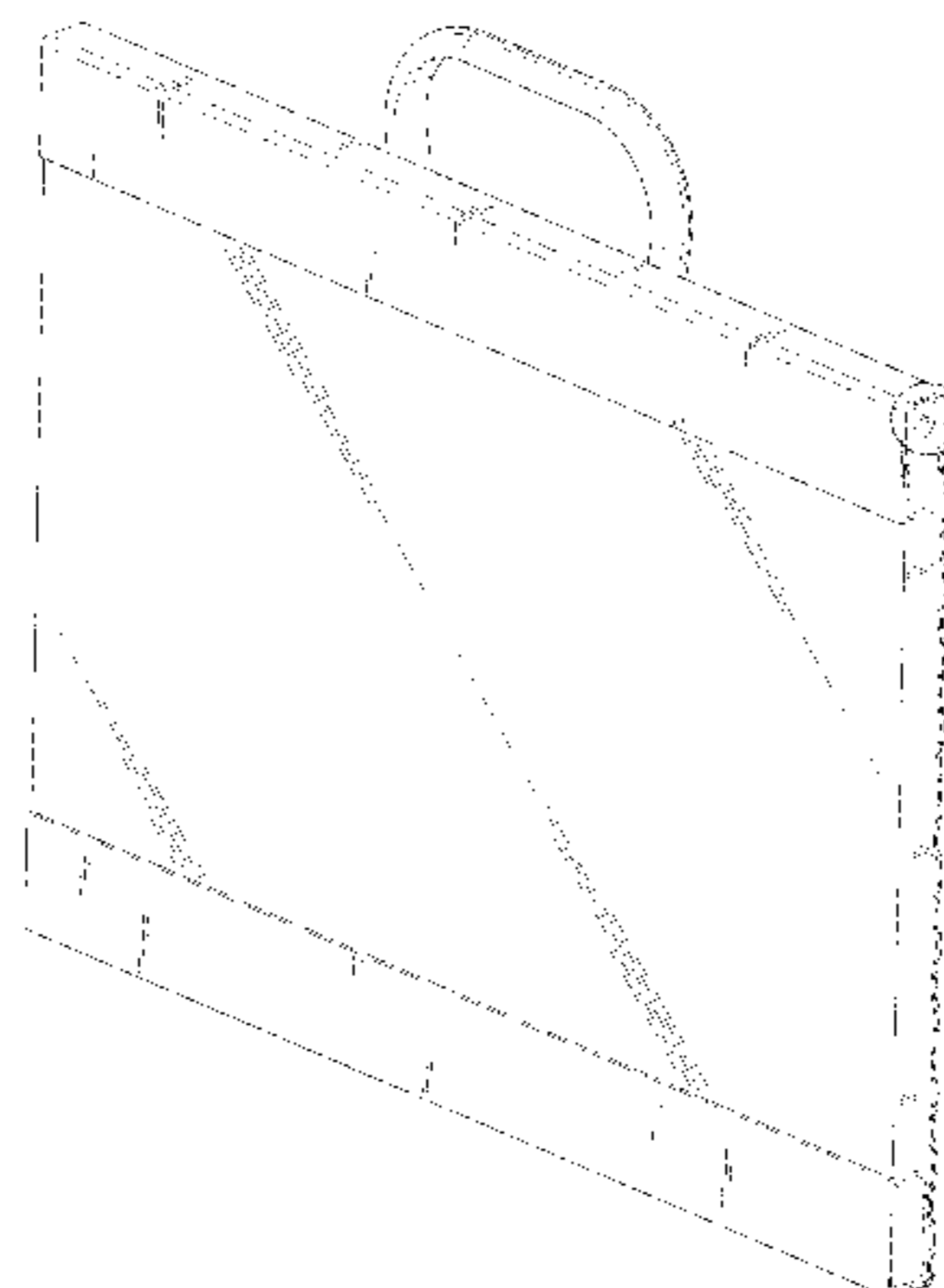
FIG. 1 is a front perspective view of a television receiver showing my new design;
FIG. 2 is a front view thereof;
FIG. 3 is a rear view thereof;
FIG. 4 is a left-side view thereof;
FIG. 5 is a right-side view thereof;
FIG. 6 is a top view thereof;
FIG. 7 is a bottom view thereof;
FIG. 8 is a rear perspective view thereof;
FIG. 9 is a perspective view of the television receiver shown in an alternate position;
FIG. 10 is another perspective view of the television receiver shown in an alternate position;
FIG. 11 is another perspective view of the television receiver shown in an alternate position;
FIG. 12 is an enlarged view of the encircled portion shown in FIG. 1; and,
FIG. 13 is an enlarged view of the encircled portion shown in FIG. 5.

The broken lines in the figures show portions of the television receiver which form no part of the claimed design.

The dot-dash broken lines encircling portions of the claimed design that are illustrated in enlargements form no part of the claimed design.

The dense stippled shading represents the claimed surfaces of the design, and does not represent surface ornamentation.

1 Claim, 11 Drawing Sheets



(56)

References Cited

U.S. PATENT DOCUMENTS

D539,248 S * 3/2007 Wang D14/126
D635,943 S * 4/2011 Kim D14/126
D726,136 S * 4/2015 Cho D14/126
D746,786 S * 1/2016 Choi D14/126

OTHER PUBLICATIONS

Sebastian Peak "CES 2015: Philips Announces 34" Curved UltraWide 21:9 IPS Display, the 1440p BDM3490UC" 2015 www.pcper.com Jan. 5, 2015 <<http://www.pcper.com/category/tags/philips>>.

* cited by examiner

FIG. 1

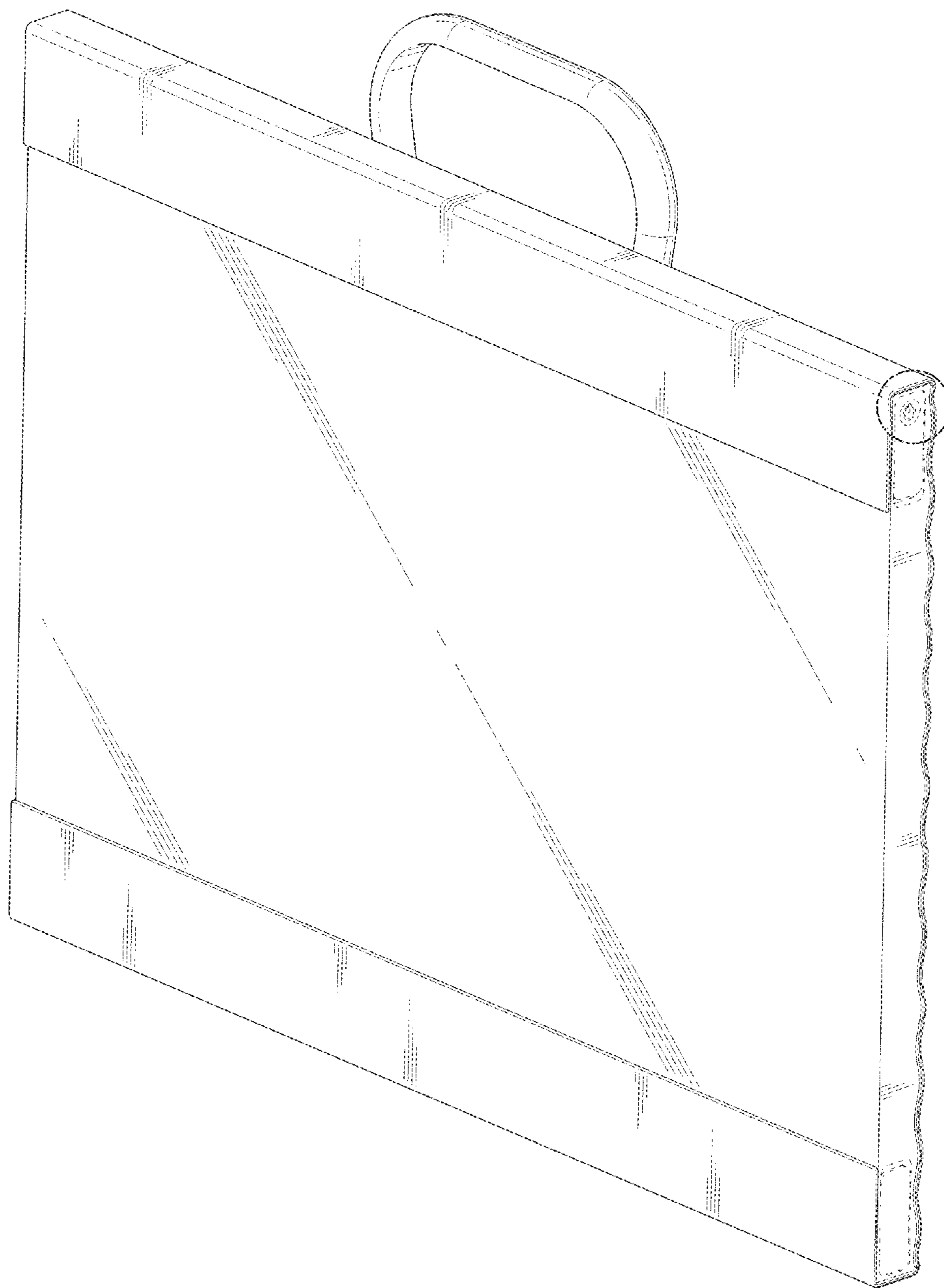


FIG. 2

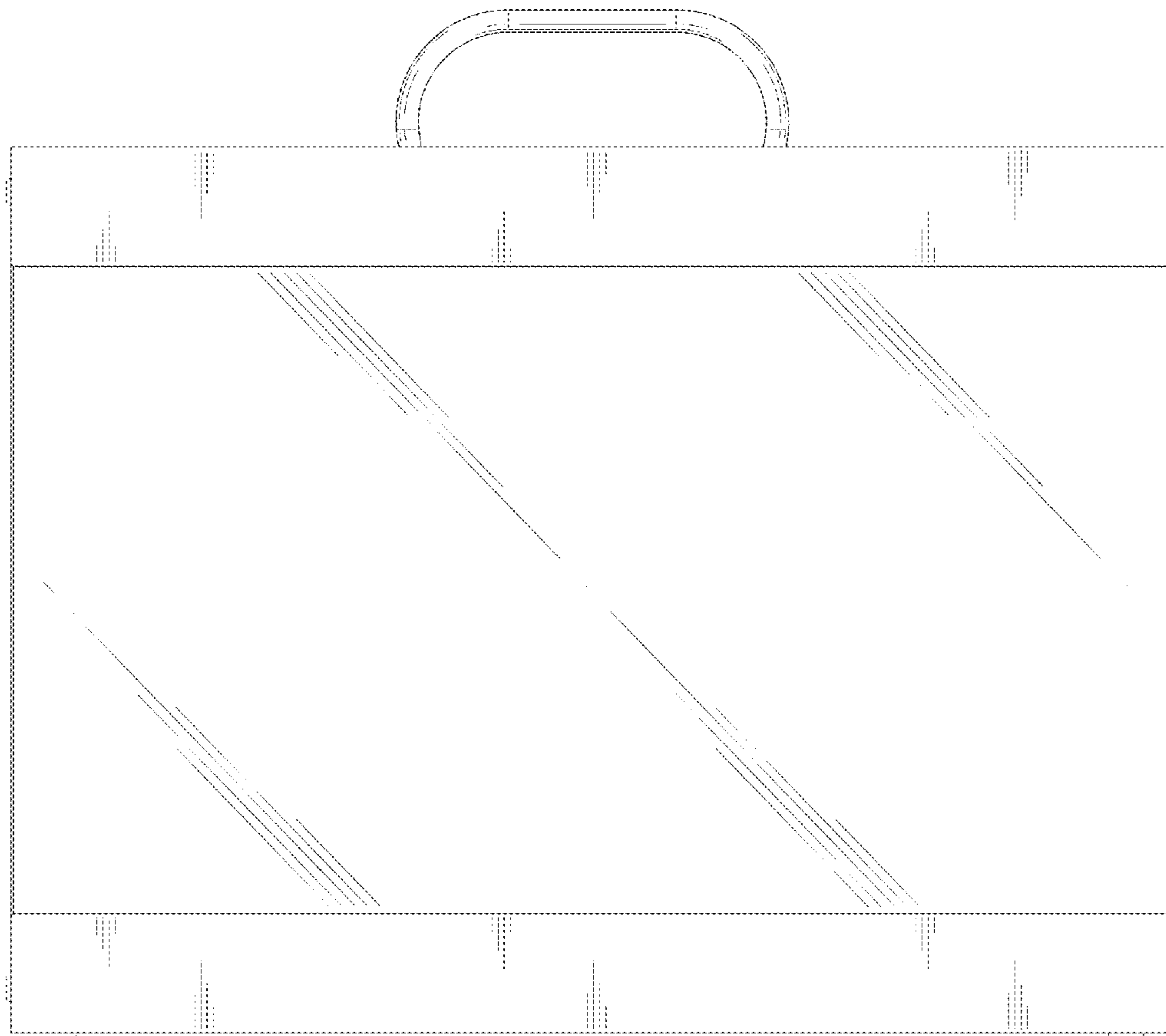


FIG. 3

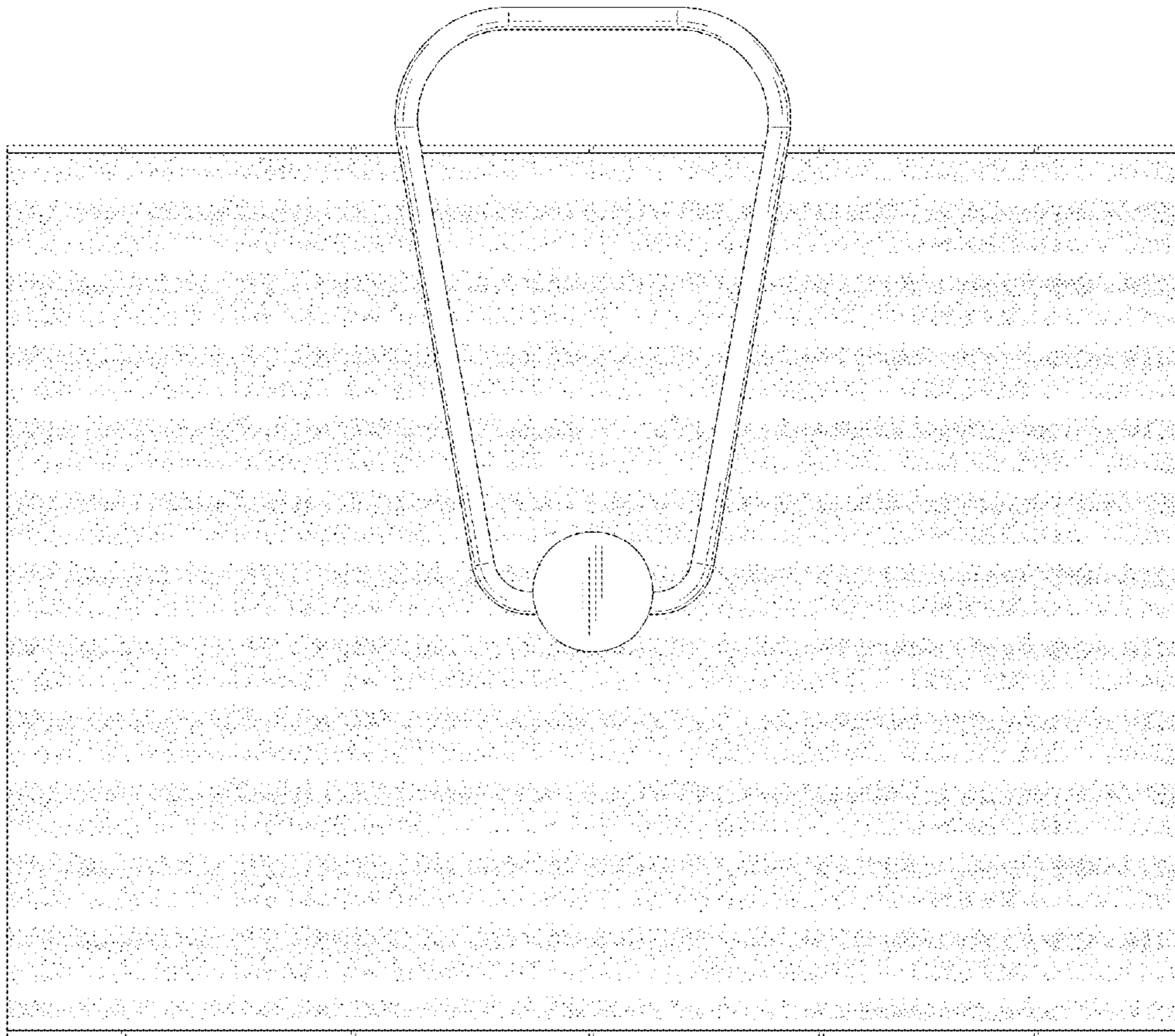


FIG. 4

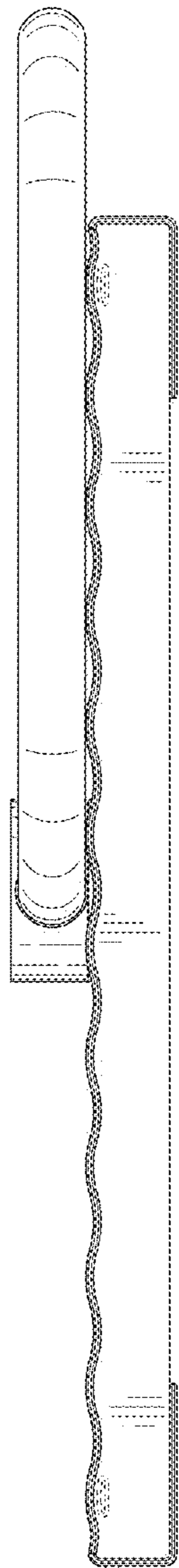


FIG. 5

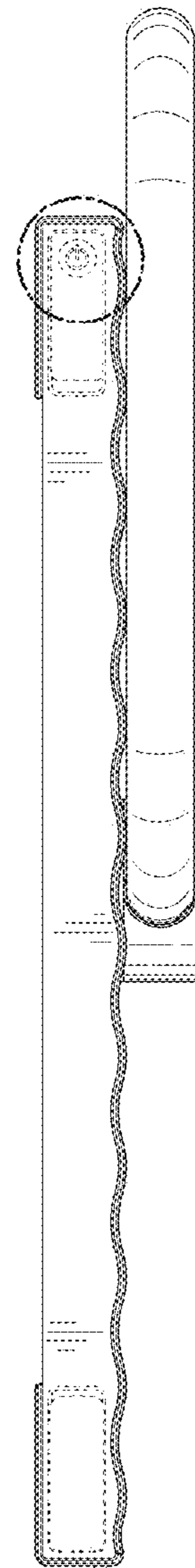


FIG. 6

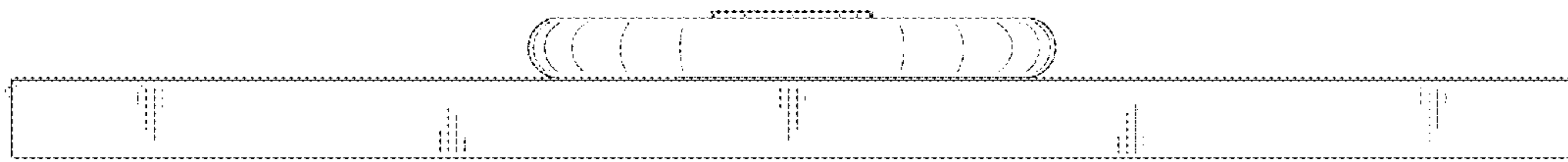


FIG. 7

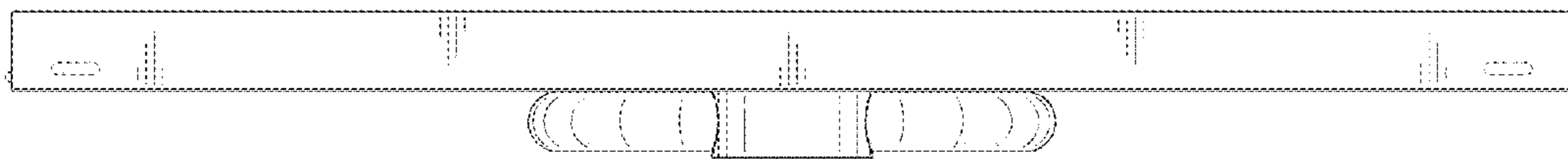


FIG. 8

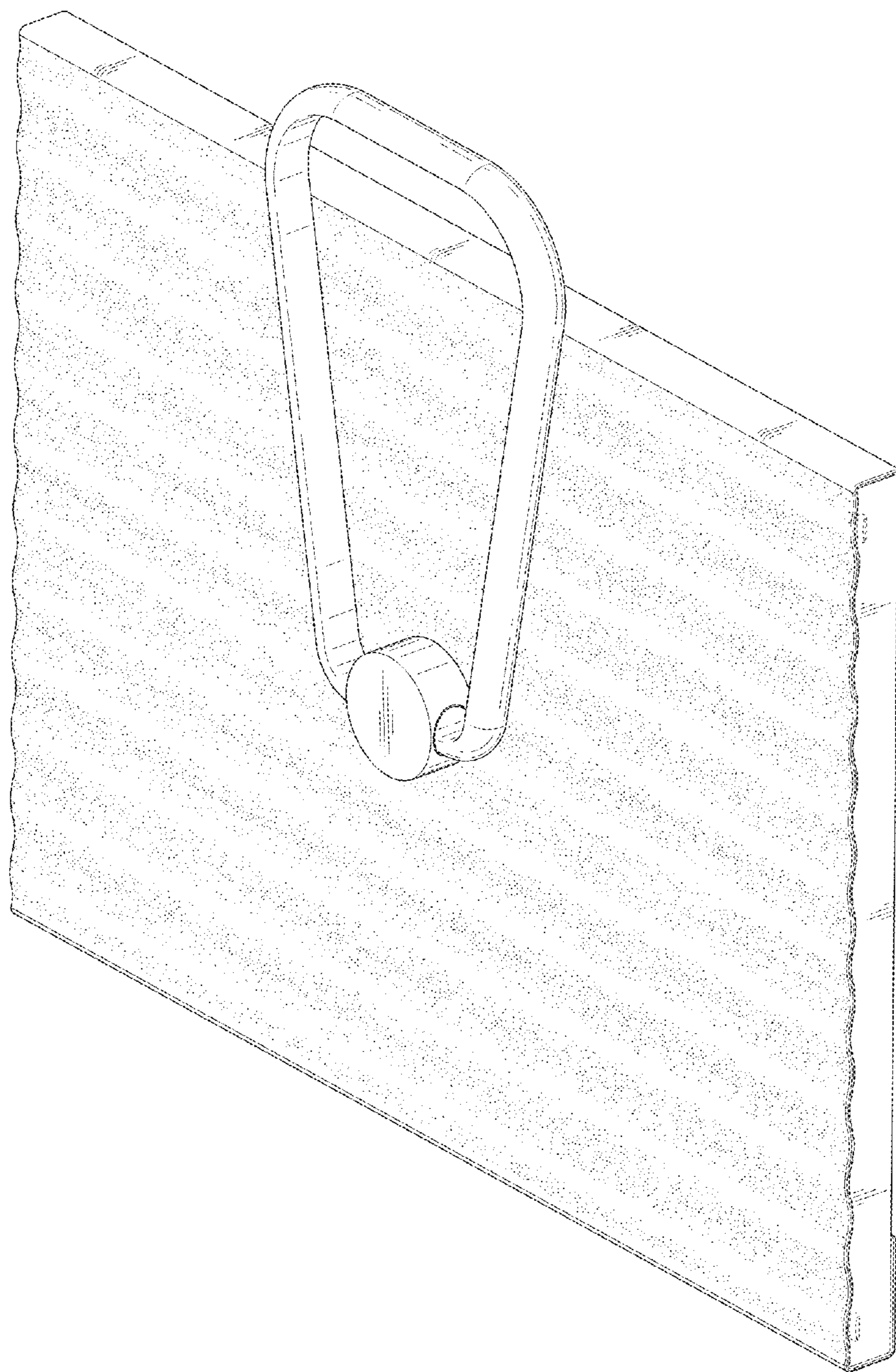


FIG. 9

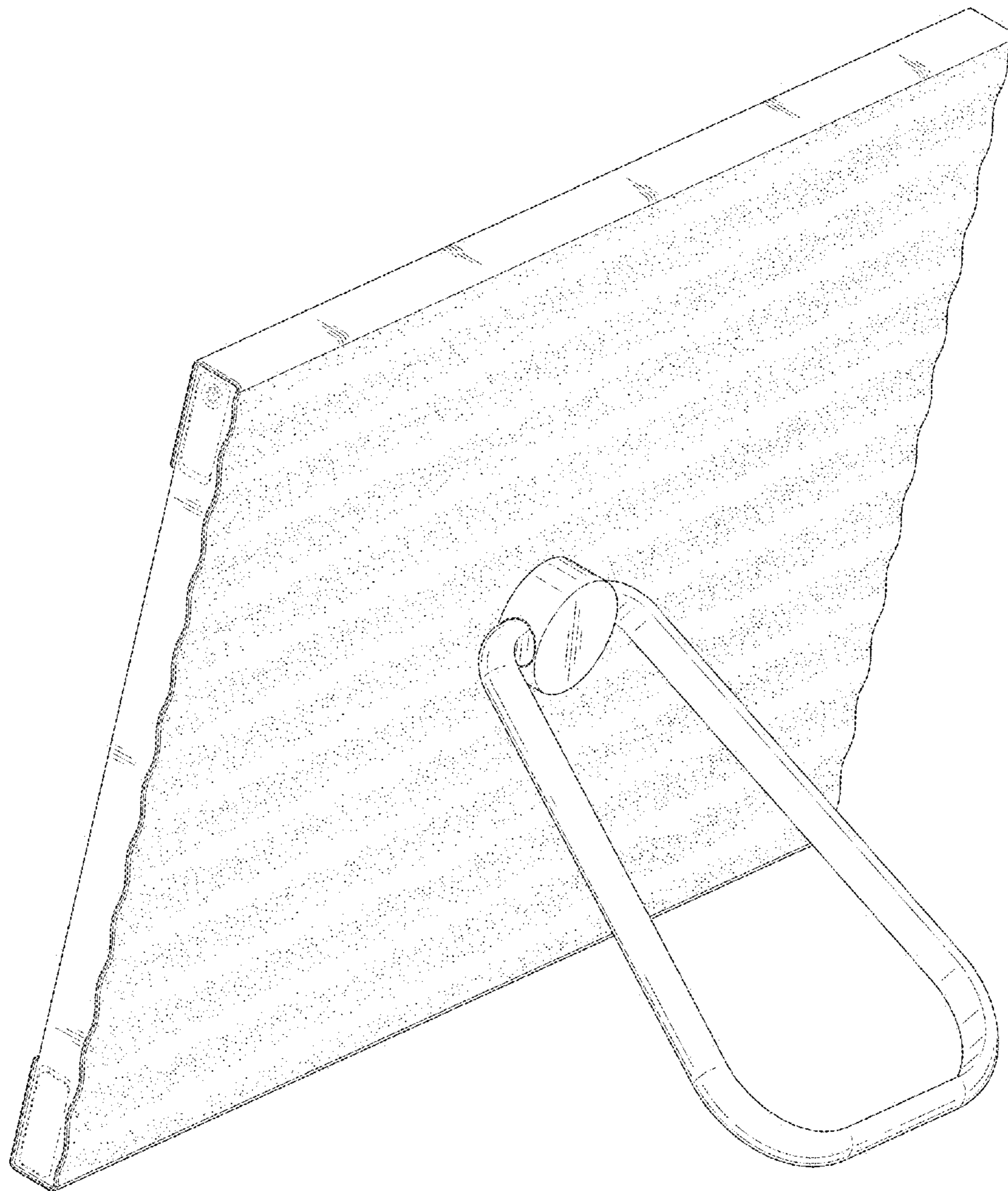


FIG. 10

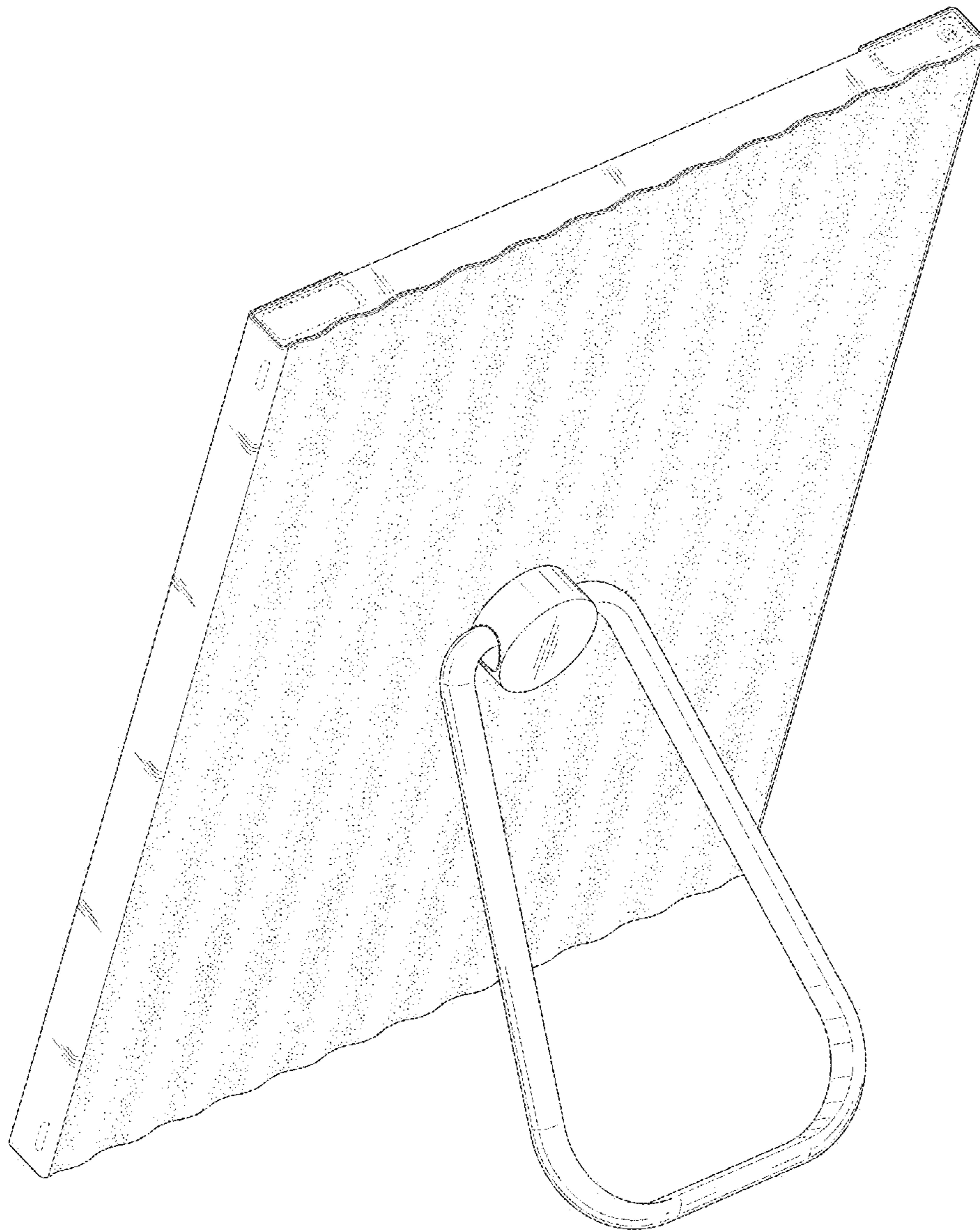


FIG. 11

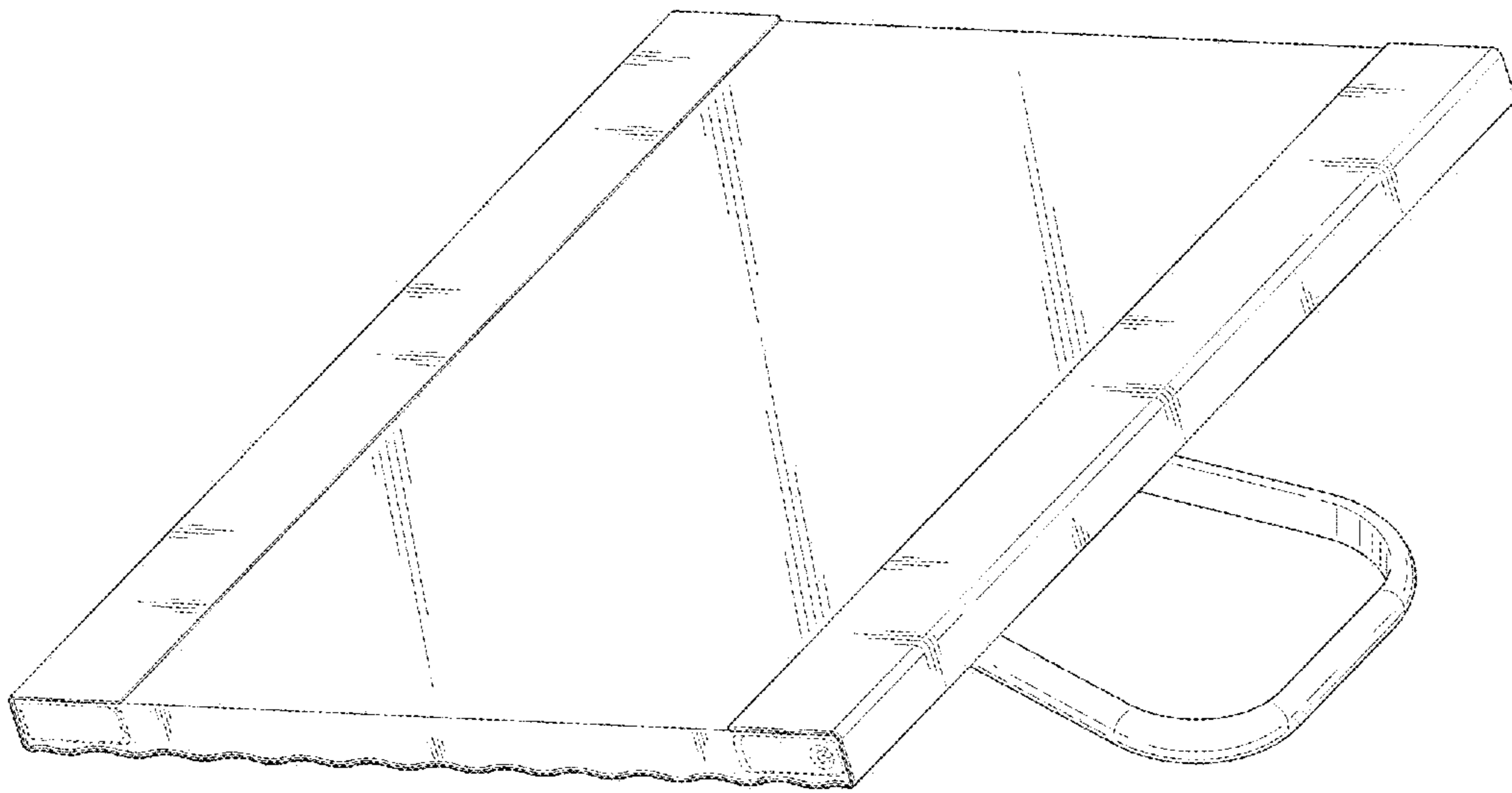


FIG. 12

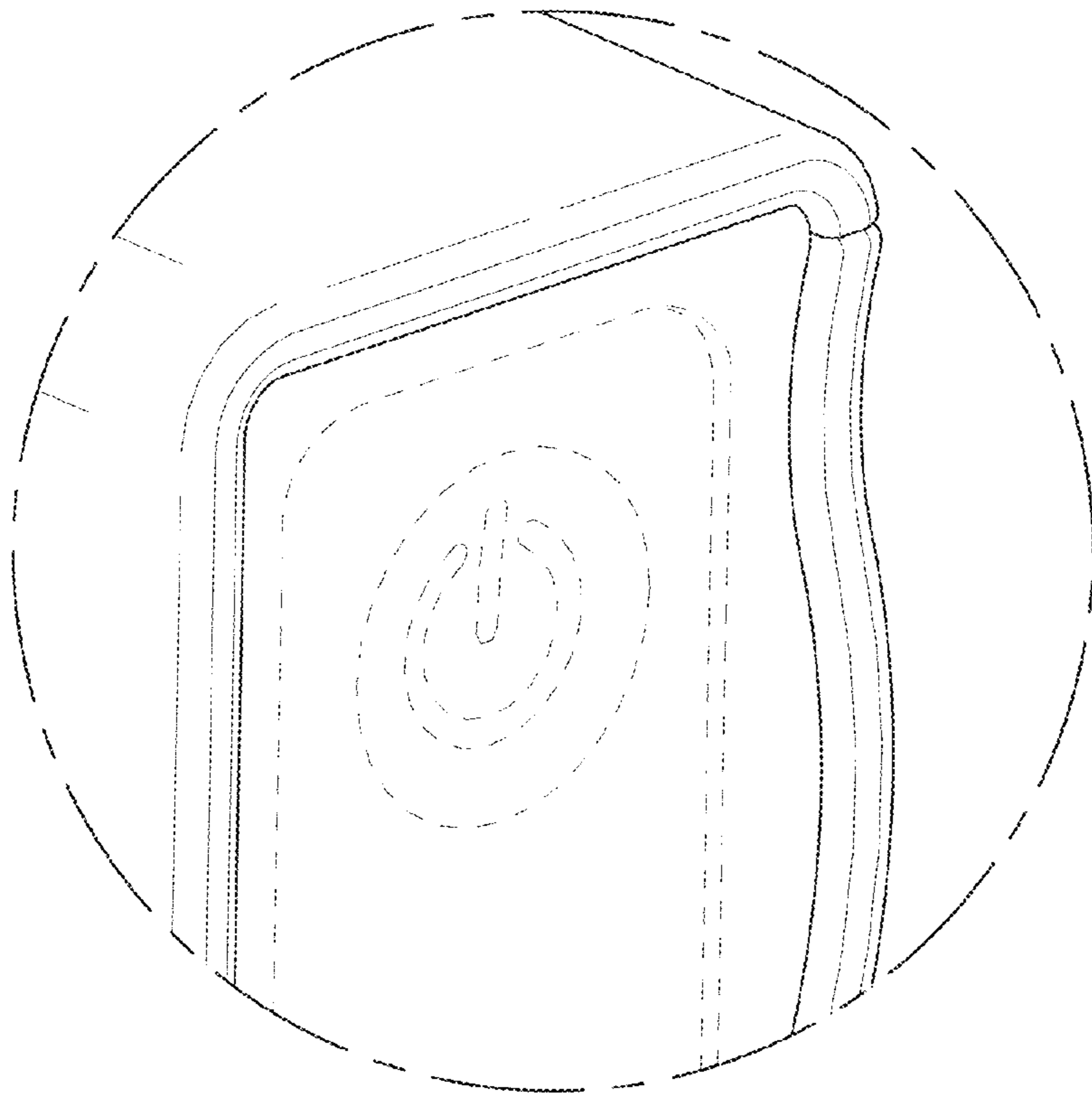


FIG. 13

