



US00D763212S

(12) **United States Design Patent**
Moon et al.

(10) **Patent No.:** **US D763,212 S**
(45) **Date of Patent:** **** Aug. 9, 2016**

- (54) **TELEVISION RECEIVER**
- (71) Applicant: **Samsung Electronics Co., Ltd.**,
Suwon-si (KR)
- (72) Inventors: **Sin-Wi Moon**, Seogwipo-Si (KR);
Sung-Jin Ann, Seoul (KR)
- (73) Assignee: **Samsung Electronics Co., Ltd.**,
Suwon-si (KR)
- (**) Term: **14 Years**
- (21) Appl. No.: **29/511,499**
- (22) Filed: **Dec. 11, 2014**
- (30) **Foreign Application Priority Data**

Jun. 19, 2014 (KR) 30-2014-0030012

- (51) **LOC (10) Cl.** **14-03**
- (52) **U.S. Cl.**
USPC **D14/126**
- (58) **Field of Classification Search**
USPC D14/125-134, 239, 371, 136, 374-377,
D14/440, 450, 448, 336, 342, 159; 312/7.2;
348/836, 838, 180, 184, 325, 739;
248/917-924, 465; 345/104, 133, 156,
345/168, 87, 173; D21/329, 515, 577, 622,
D21/333, 433, 448, 452, 450, 331, 505;
D10/15, 26; 446/484, 175, 356;
D6/477, 479, 300; D20/10, 19, 39
CPC ... G06F 1/1601; G06F 1/1643; H05K 5/0004;
H05K 5/0017; H05K 5/02; H05K 5/0217;
H04N 13/0459
See application file for complete search history.

(56) **References Cited**

U.S. PATENT DOCUMENTS

- D584,281 S * 1/2009 Kim D14/126
- D606,953 S * 12/2009 Shin D14/126

- D609,659 S * 2/2010 VanDuyn D14/126
- D609,660 S * 2/2010 VanDuyn D14/126
- D609,661 S * 2/2010 VanDuyn D14/126
- D610,562 S * 2/2010 Chien D14/126
- D697,882 S * 1/2014 Seong D14/126
- D747,693 S * 1/2016 Won D14/126

* cited by examiner

Primary Examiner — Raphael Barkai
(74) *Attorney, Agent, or Firm* — NSIP Law

(57) **CLAIM**

We claim the ornamental design for a television receiver, as shown and described.

DESCRIPTION

FIG. 1 is a front perspective view of a television receiver showing our new design;
 FIG. 2 is a front view thereof;
 FIG. 3 is a rear view thereof;
 FIG. 4 is a left-side view thereof;
 FIG. 5 is a right-side view thereof;
 FIG. 6 is a top view thereof;
 FIG. 7 is a bottom view thereof; and,
 FIG. 8 is an enlarged cross-sectional view taken through the horizontal center of the dot-dot-dash encircled portion in FIG. 6;
 FIG. 9 is another front perspective view of FIG. 1; and,
 FIG. 10 is an enlarged view of the encircled portion in FIG. 9.
 The broken lines in the figures show portions of the television receiver which form no part of the claimed design.
 The dot-dot-dash broken lines encircling portions of the claimed design that are illustrated in enlargements form no part of the claimed design.
 The dot-dash lines in the figures represent an unclaimed boundary line and form no part of the claimed design.

1 Claim, 7 Drawing Sheets

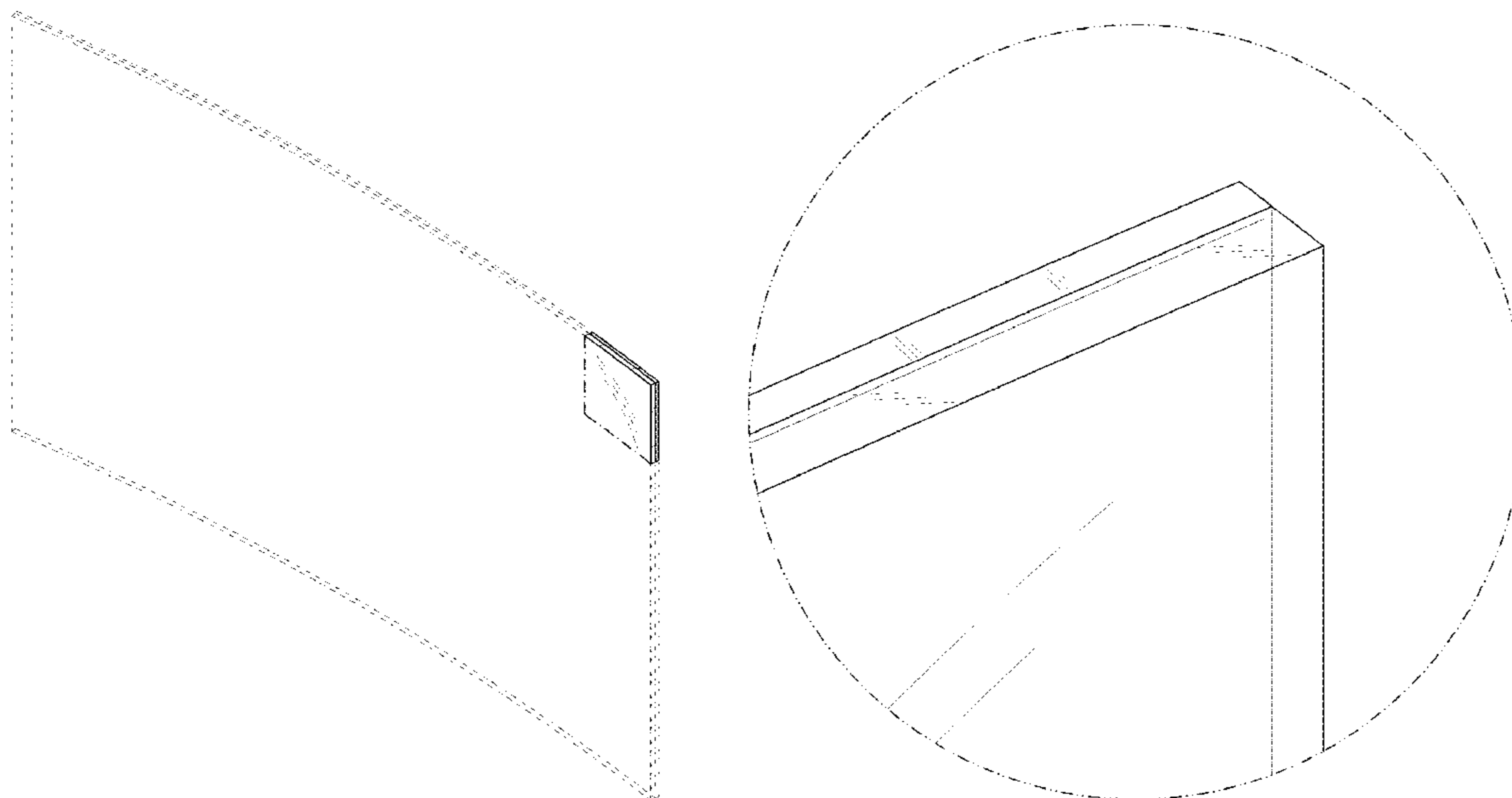


FIG. 1

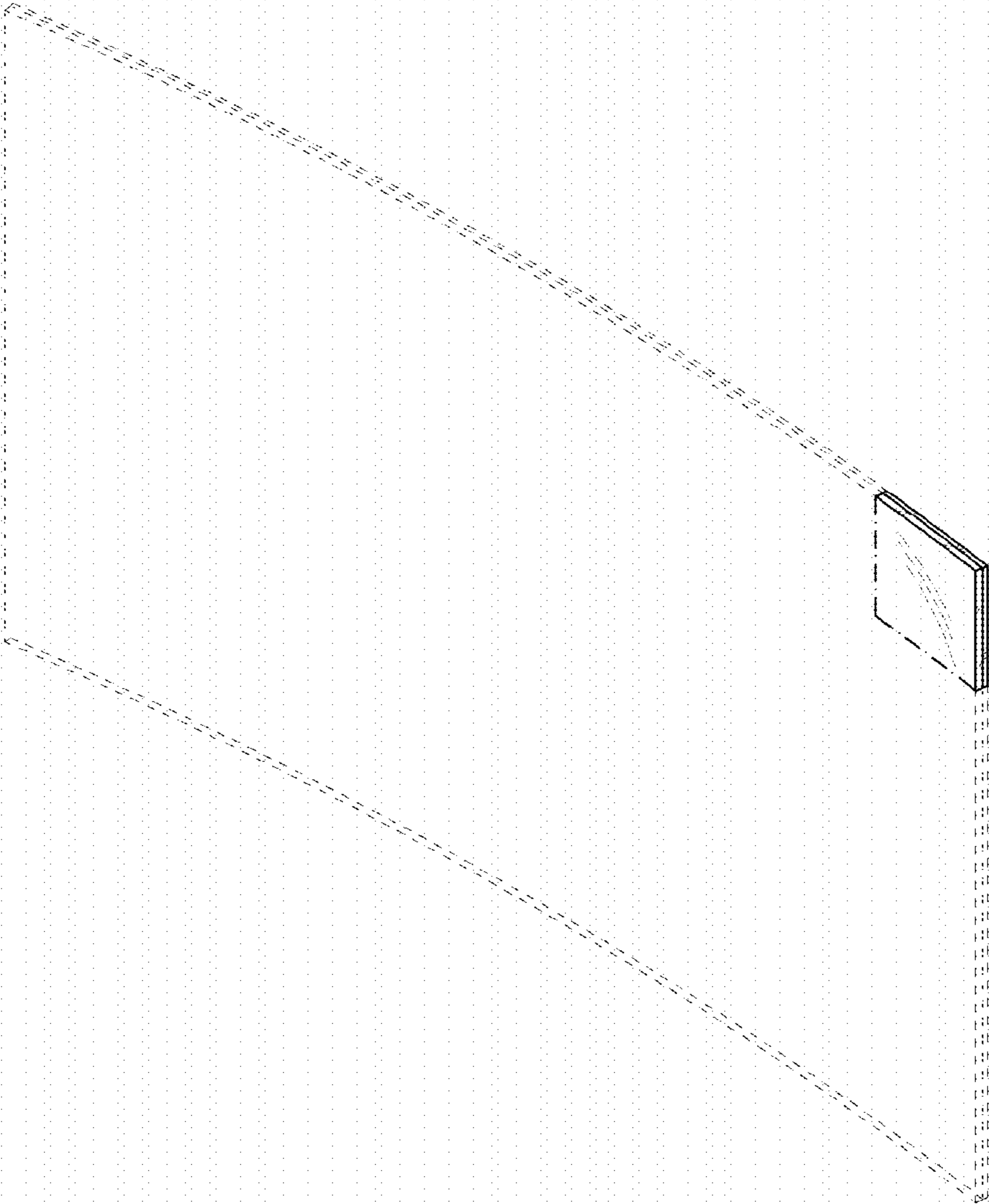


FIG. 2

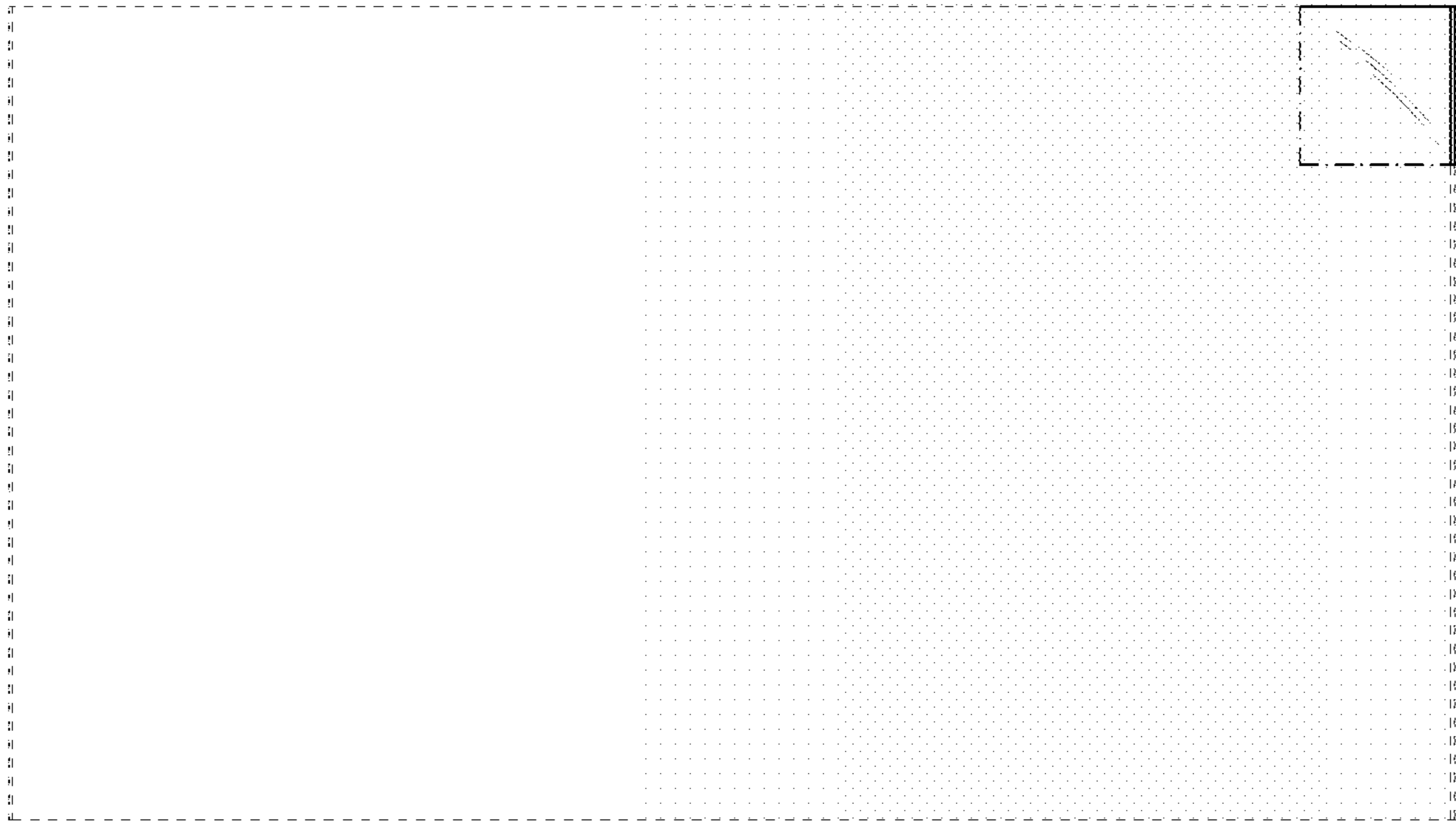


FIG. 3

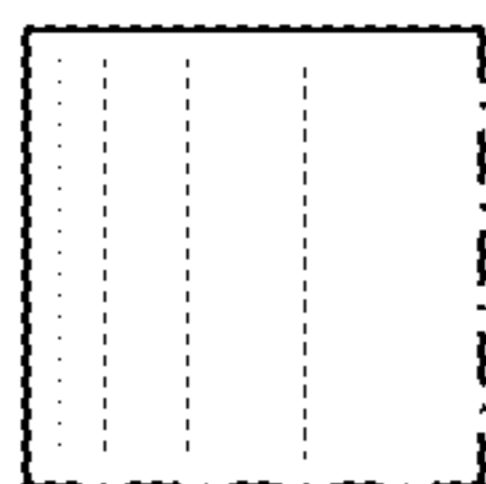


FIG. 4

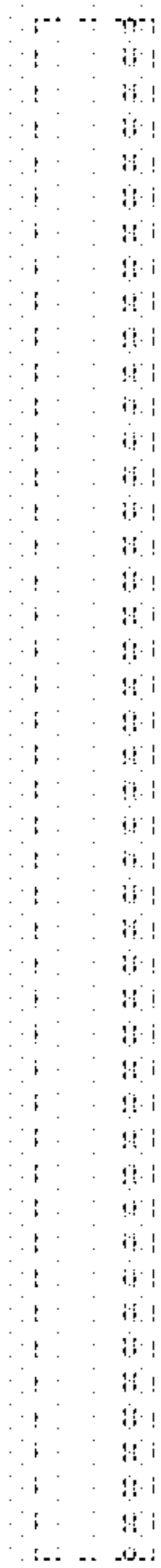


FIG. 5

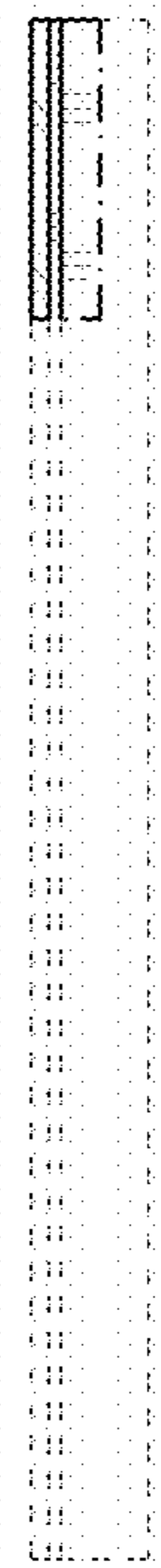


FIG. 6



FIG. 7

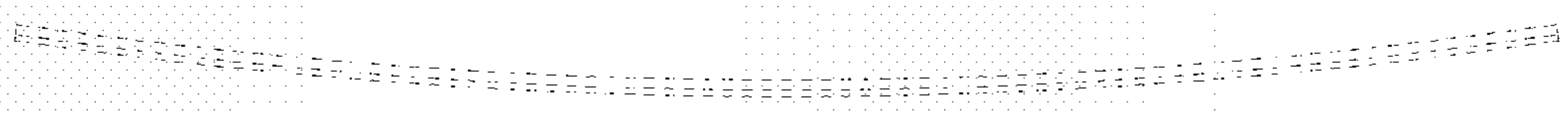


FIG. 8

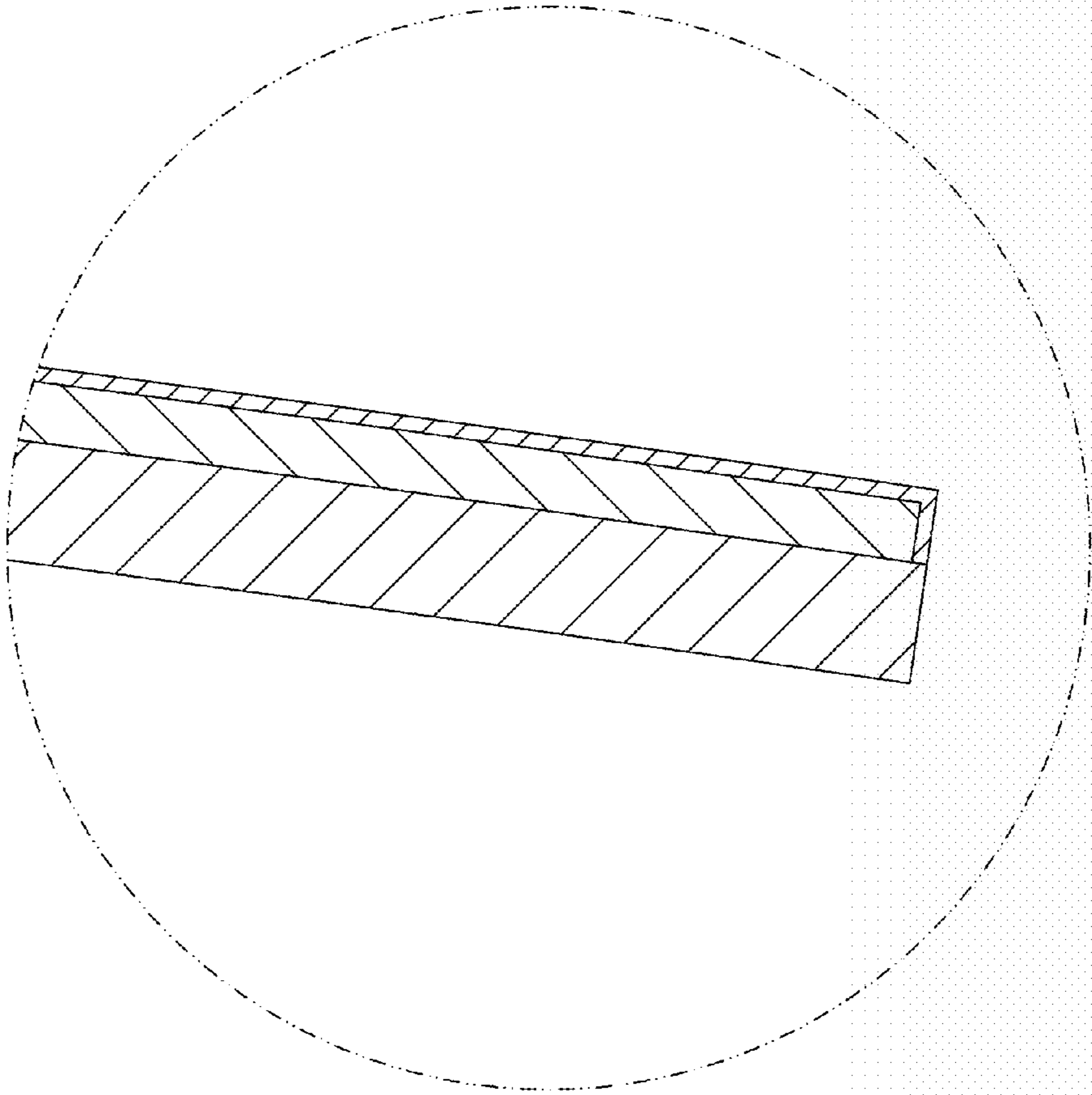


FIG. 9

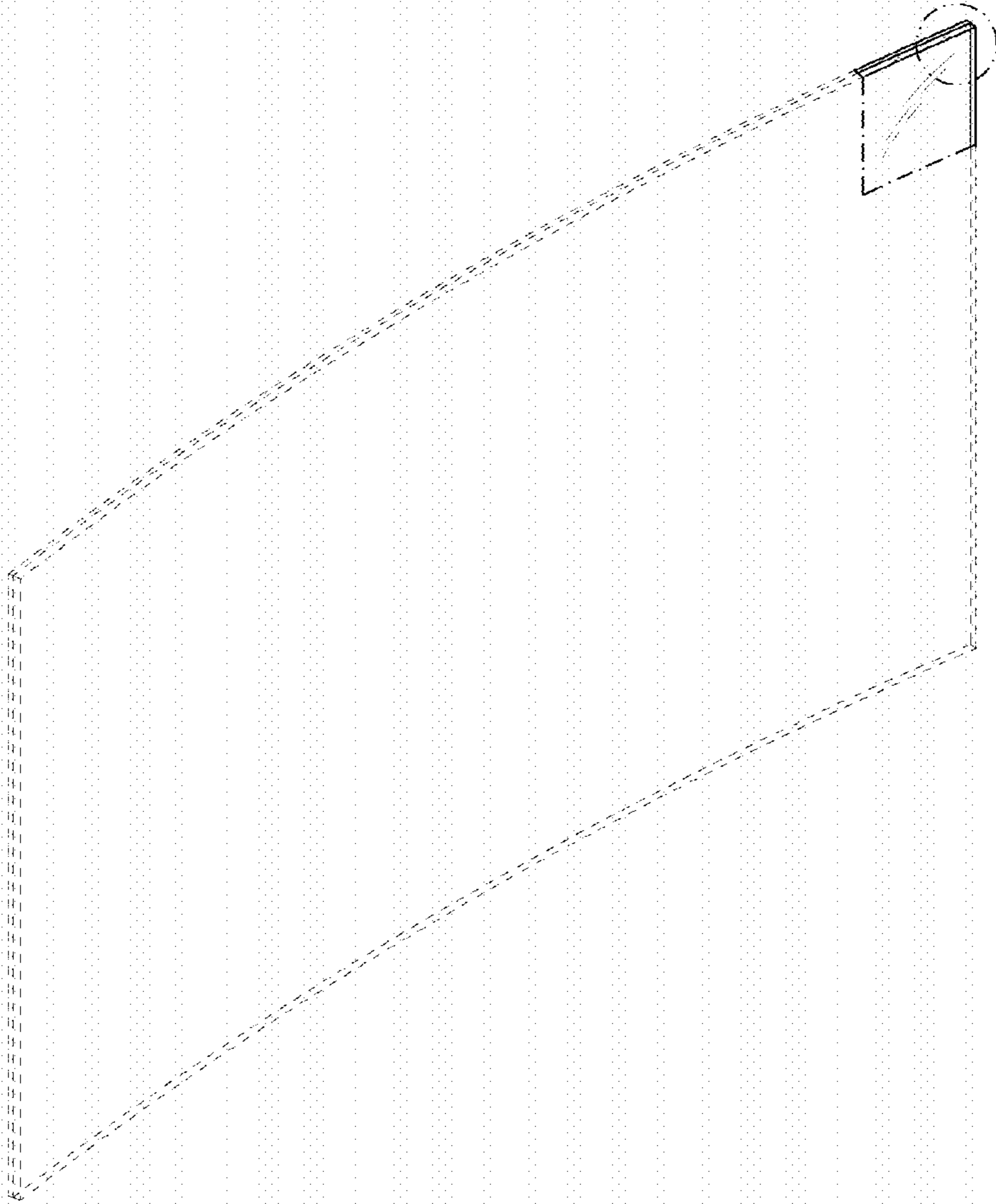


FIG. 10

