



US00D763209S

(12) **United States Design Patent**  
**Park et al.**

(10) **Patent No.:** **US D763,209 S**

(45) **Date of Patent:** **\*\* Aug. 9, 2016**

(54) **ELECTRONIC DEVICE**

(71) Applicant: **OpenTV, Inc.**, San Francisco, CA (US)

(72) Inventors: **Joonyoung Park**, Mountain View, CA (US); **Jihyun Park**, Sunnyvale, CA (US)

(73) Assignee: **OpenTV, Inc.**, San Francisco, CA (US)

(\*\*) Term: **15 Years**

(21) Appl. No.: **29/533,015**

(22) Filed: **Jul. 13, 2015**

(51) **LOC (10) Cl.** ..... **14-03**

(52) **U.S. Cl.**  
USPC ..... **D14/125**

(58) **Field of Classification Search**  
USPC ..... D14/125, 357-358, 496, 188, 242, 432;  
D13/184; 348/10, 460, 706, 731;  
340/825.03; 455/6.1, 6.2; 312/223.1,  
312/7.2  
CPC ..... H04N 21/00; H04N 21/20; H04N 21/40  
See application file for complete search history.

(56) **References Cited**

**U.S. PATENT DOCUMENTS**

D645,750 S *	9/2011	Lee	.....	D9/445
D658,640 S *	5/2012	Ivaskevicius	.....	D14/242
D676,005 S *	2/2013	Wood	.....	D14/125
D685,074 S *	6/2013	Caroen	.....	D23/366
D692,413 S *	10/2013	Holzer	.....	D14/215

\* cited by examiner

*Primary Examiner* — Randall Gholson

(74) *Attorney, Agent, or Firm* — Schwegman Lundberg & Woessner, P.A.

(57) **CLAIM**

The ornamental design for an electronic device, as shown and described.

**DESCRIPTION**

FIG. 1 is a top-front-left view of an electronic device, showing our new design.

FIG. 2 is a bottom-rear-right view of the electronic device, with a cover panel in an operative position.

FIG. 3 is a bottom-rear-right view of the electronic device, with the cover panel omitted.

FIG. 4 is a front elevation view of the electronic device.

FIG. 5 is a rear elevation view of the electronic device, with the cover panel in the operative position.

FIG. 6 is a rear elevation view of the electronic device, with the cover panel omitted.

FIG. 7 is a left side elevation view of the electronic device.

FIG. 8 is a right side elevation view of the electronic device.

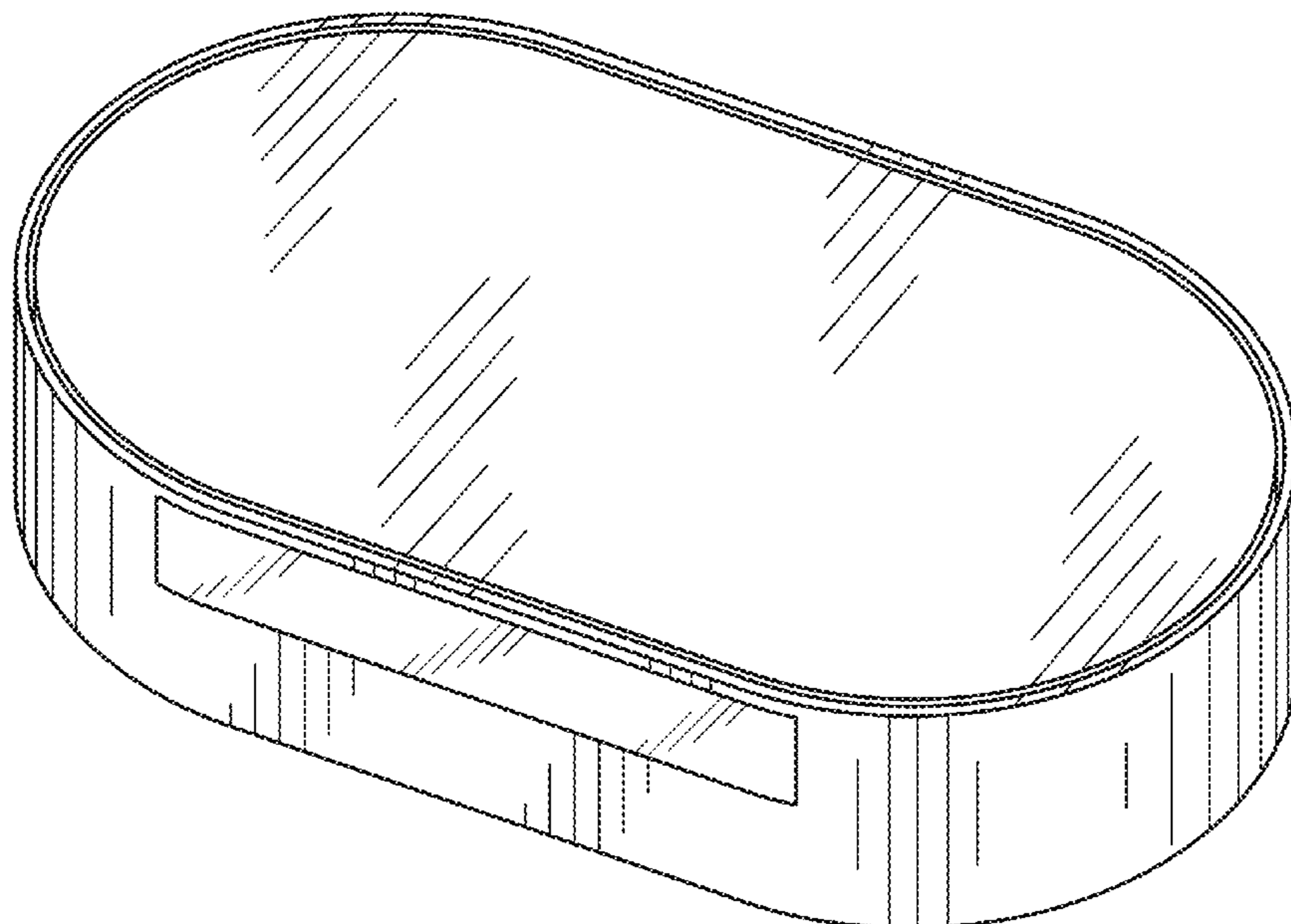
FIG. 9 is a top plan view of the electronic device.

FIG. 10 is a bottom plan view of the electronic device, with the cover panel in the operative position; and,

FIG. 11 is a bottom plan view of the electronic device, with the cover panel omitted.

The shade lines show contour and not surface ornamentation. The broken lines depict portions of the electronic device and form no part of the claimed design.

**1 Claim, 11 Drawing Sheets**



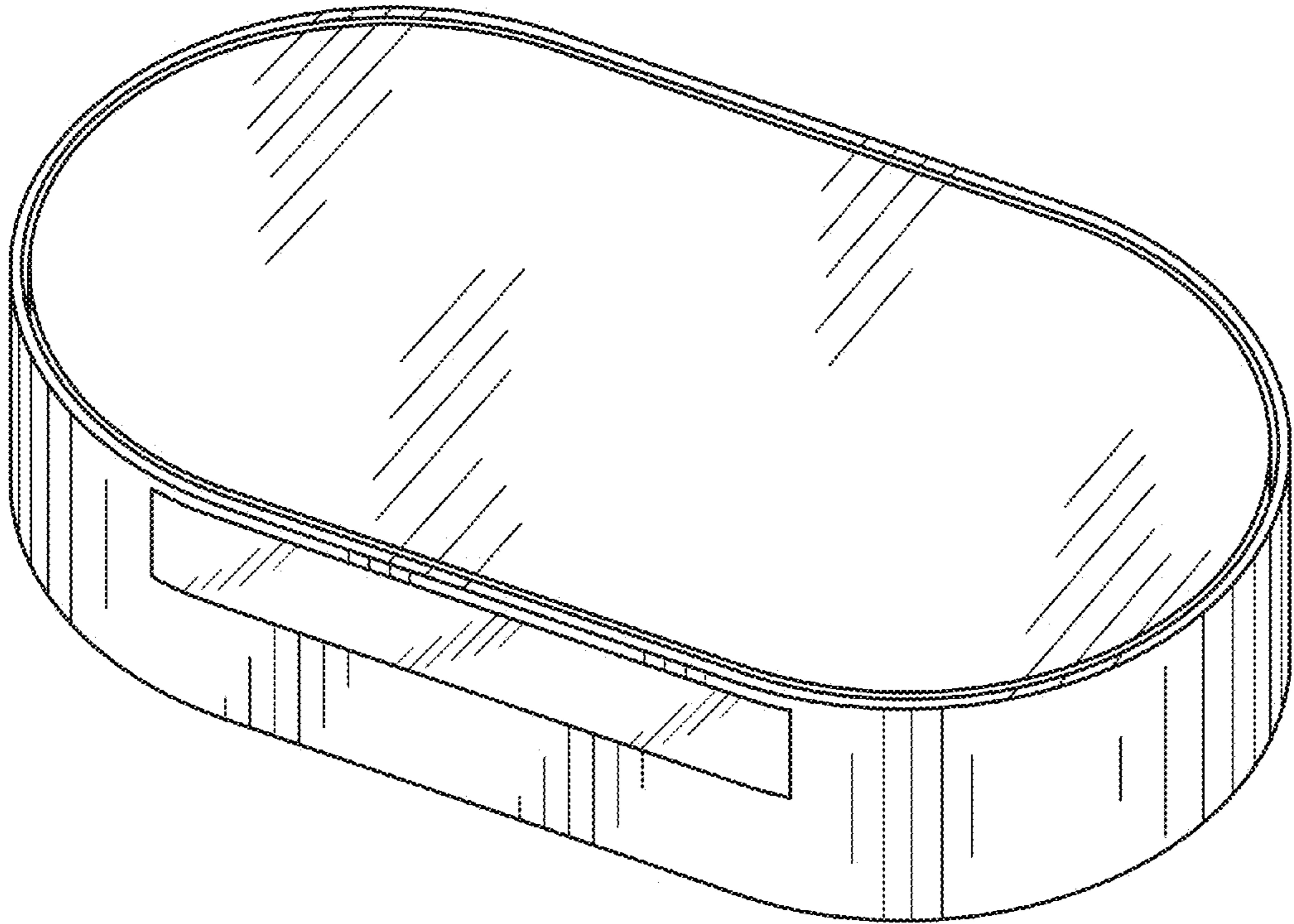


FIG. 1

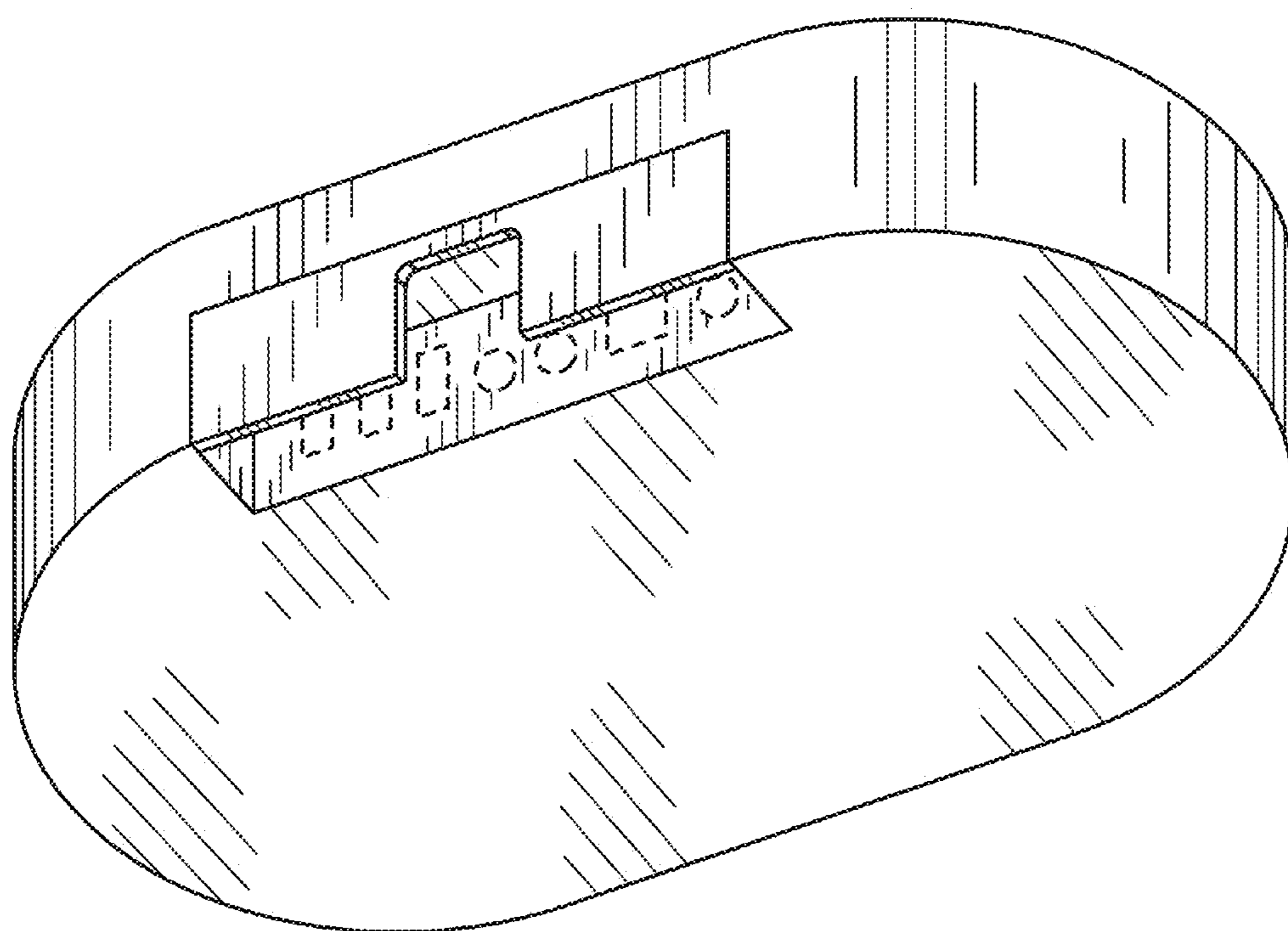


FIG. 2

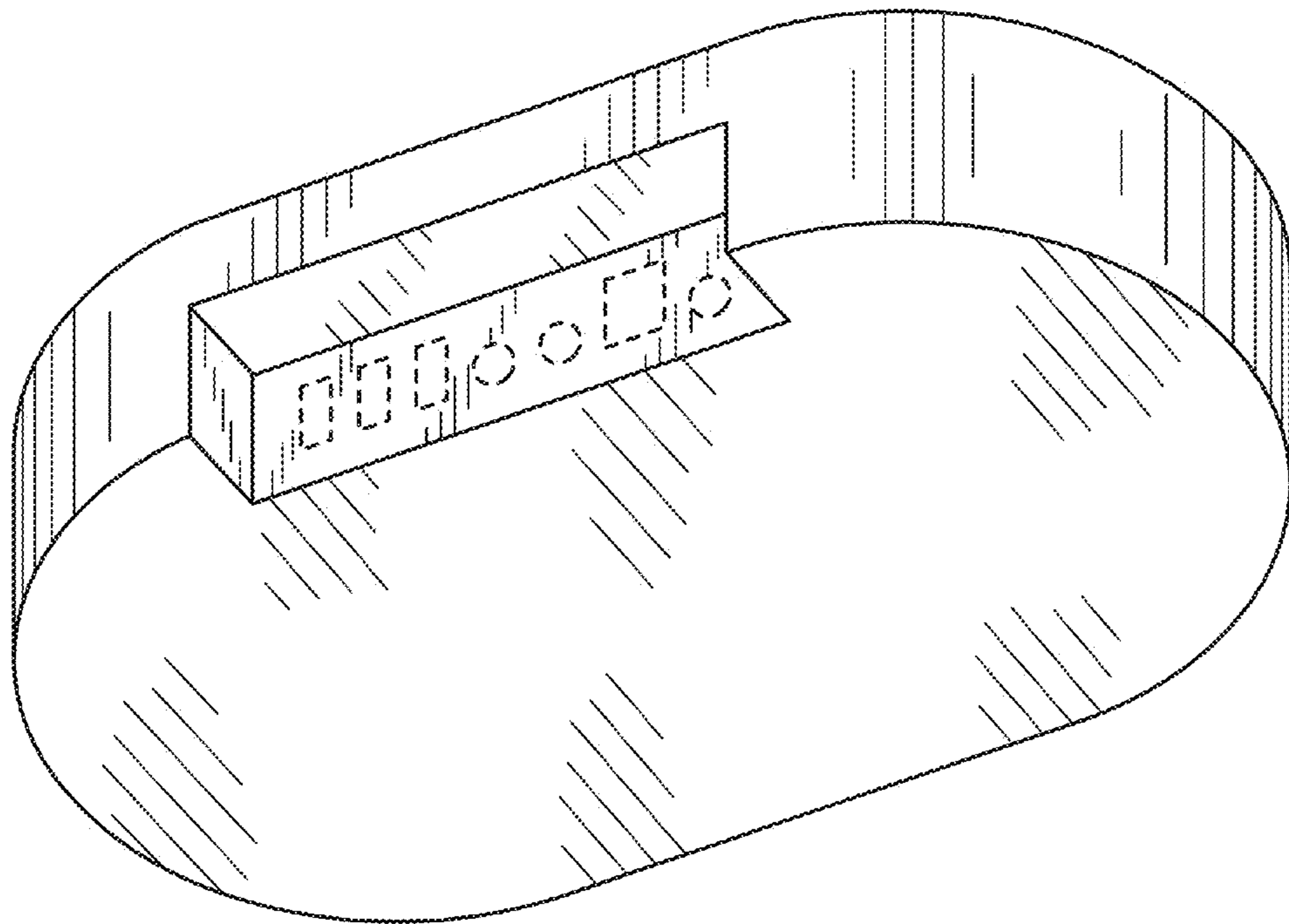
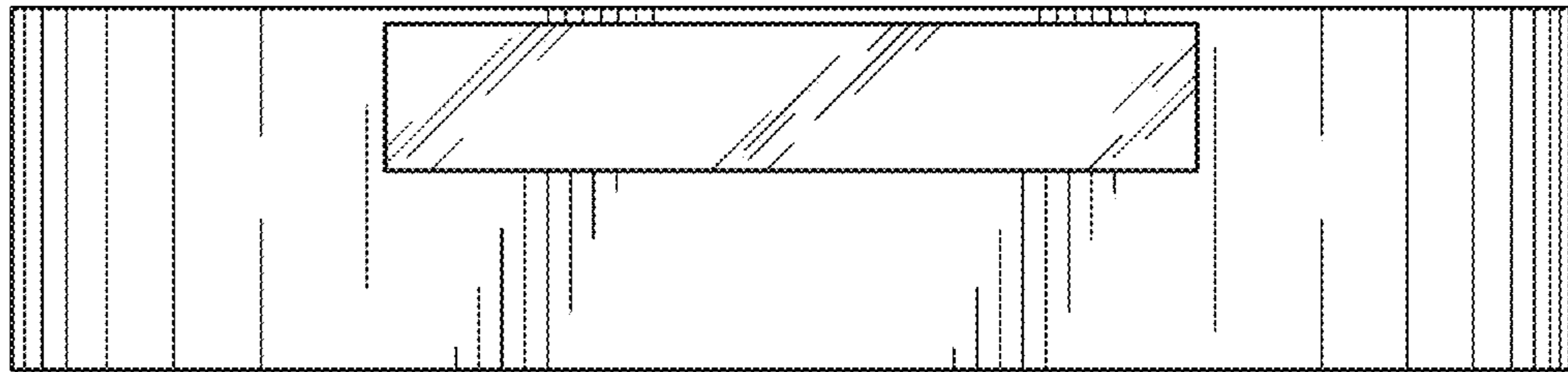
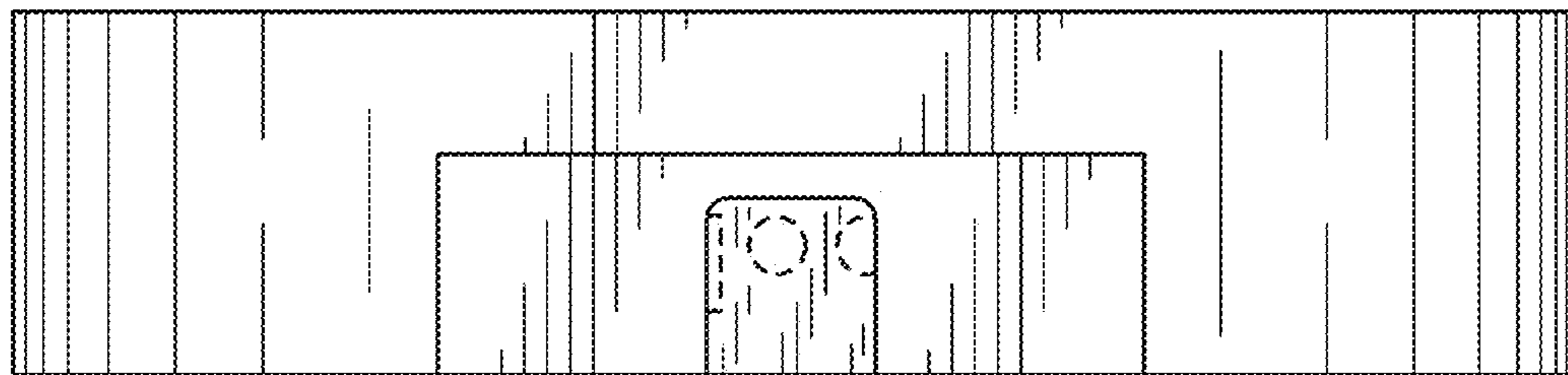


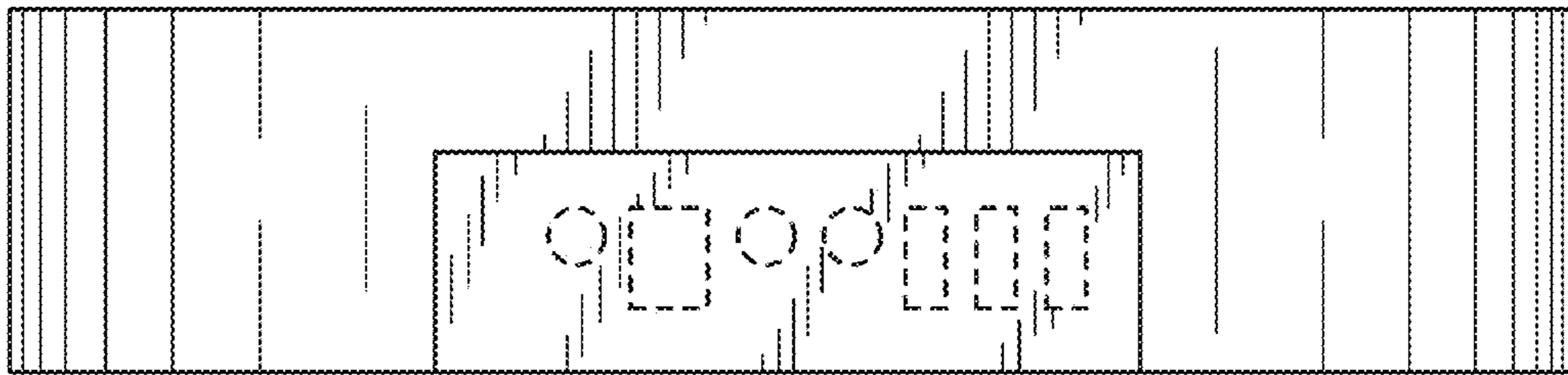
FIG. 3



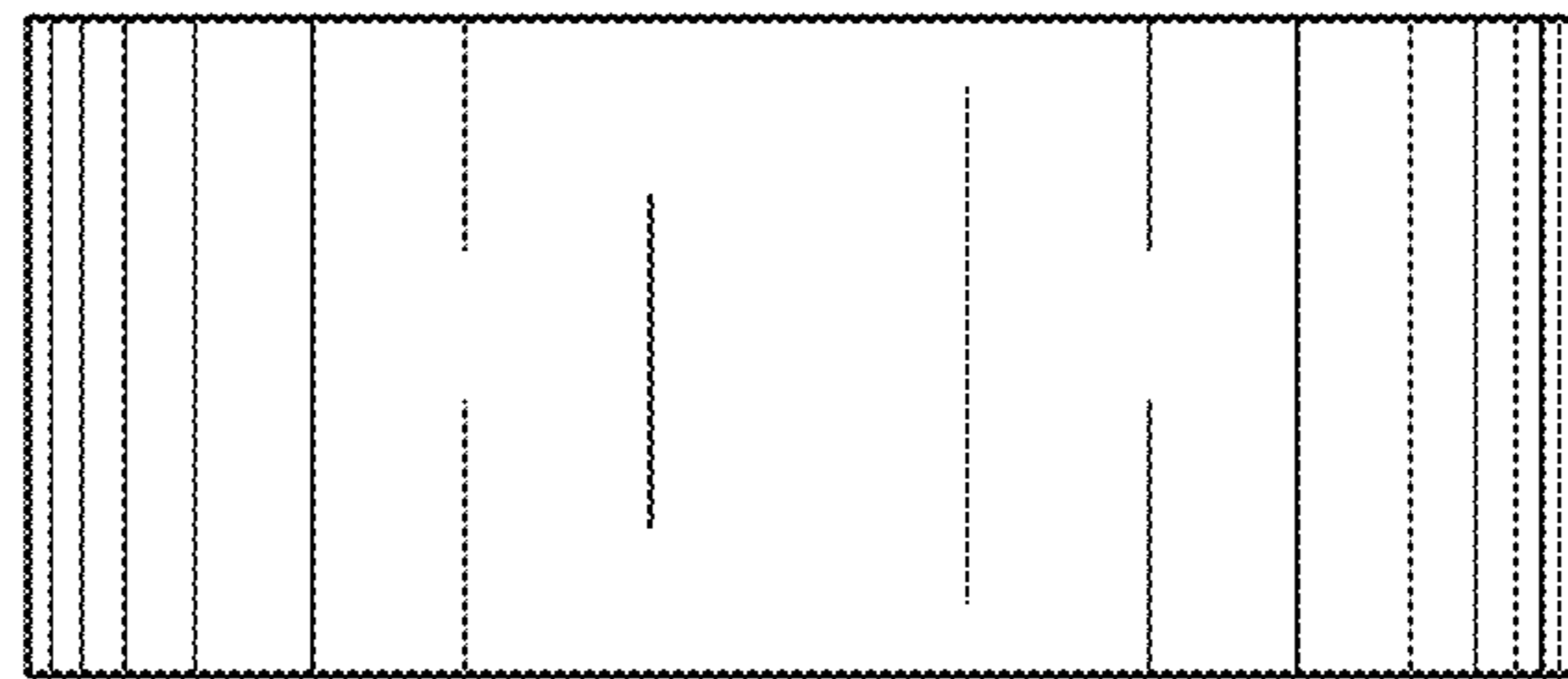
*FIG. 4*



*FIG. 5*

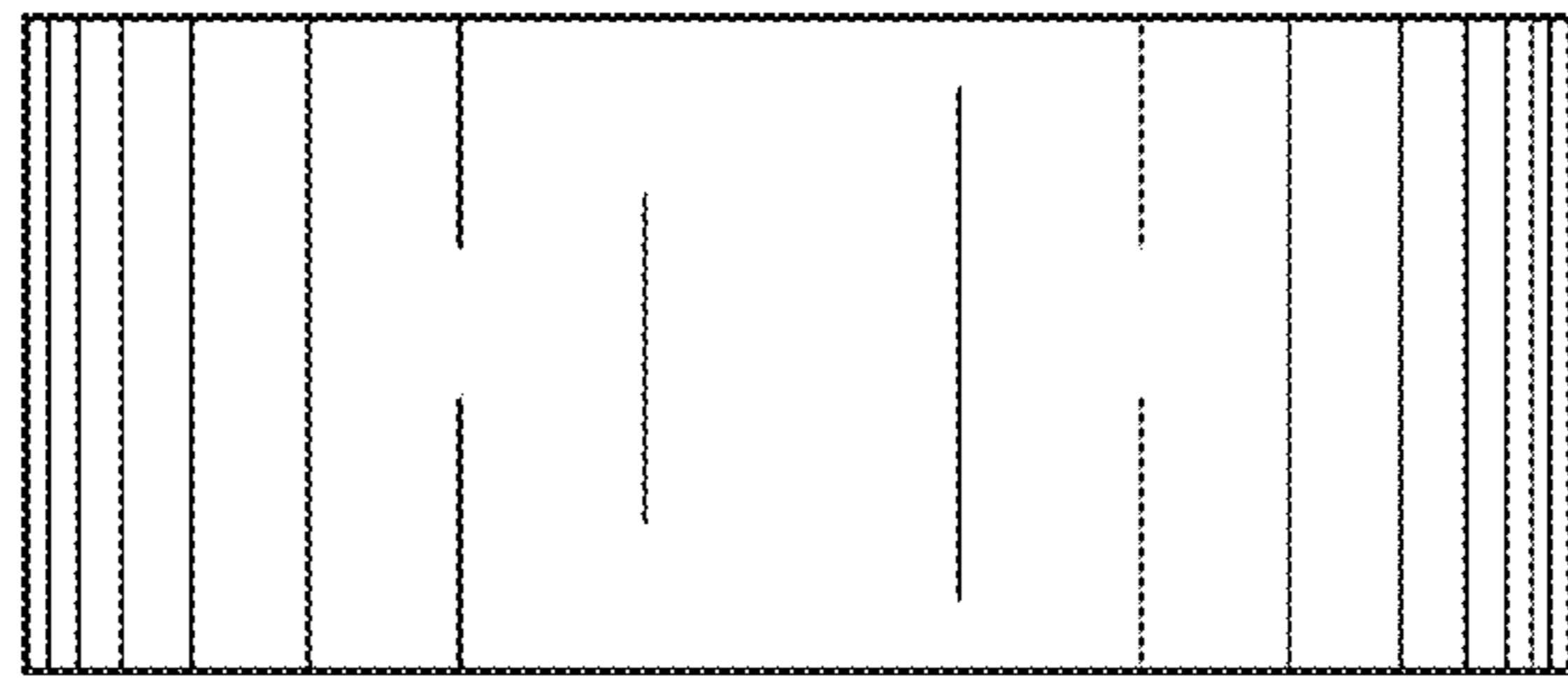


*FIG. 6*

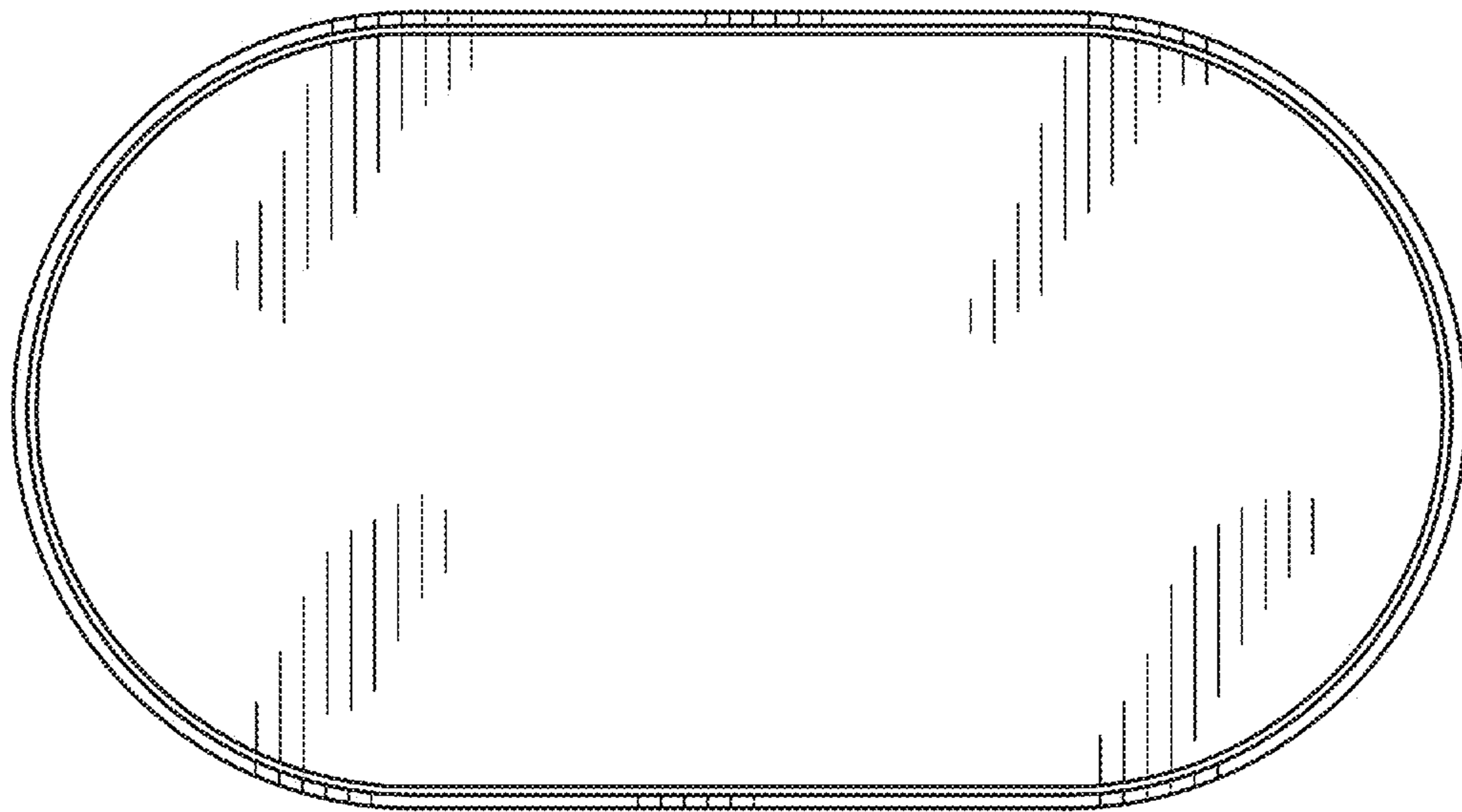


*FIG. 7*

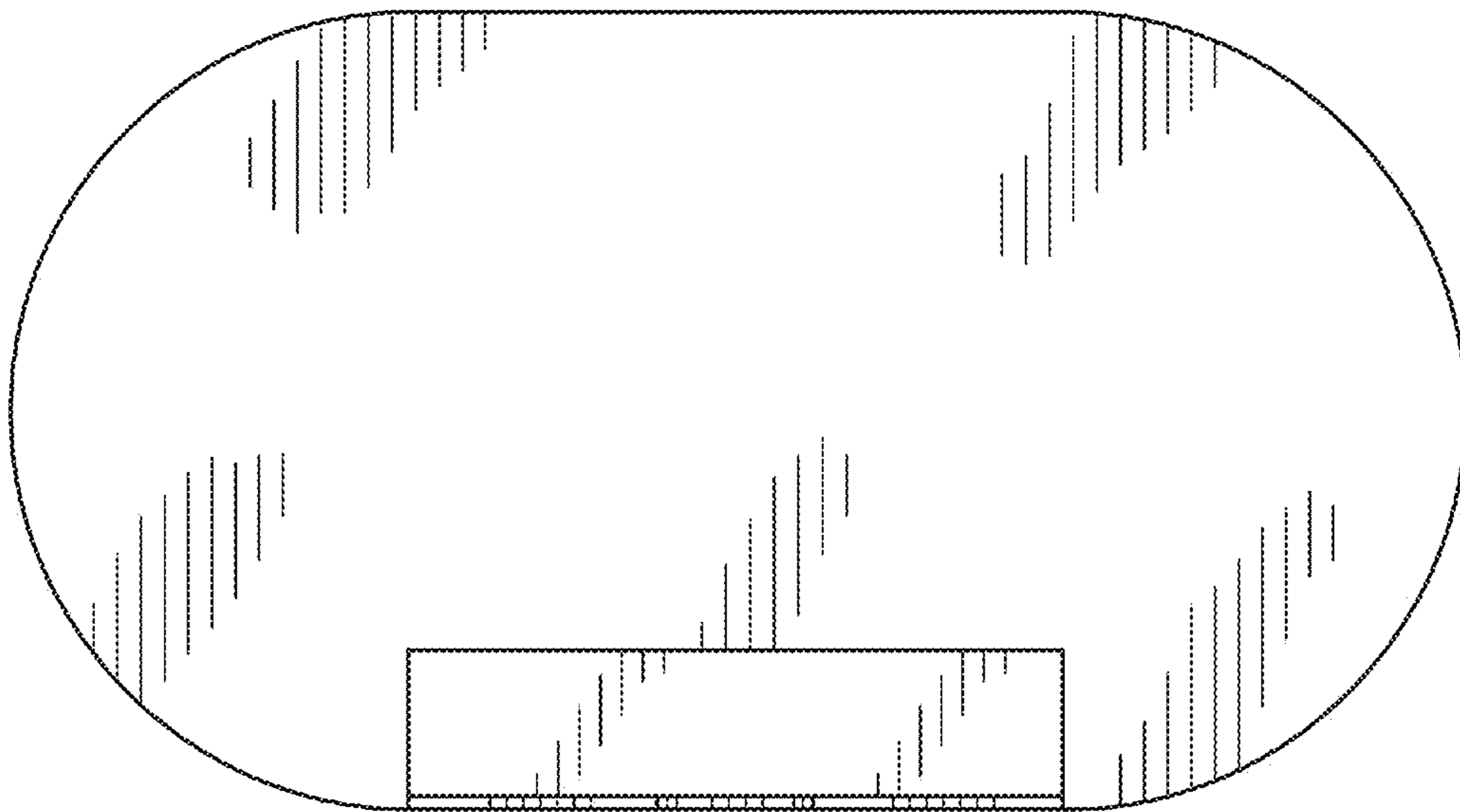




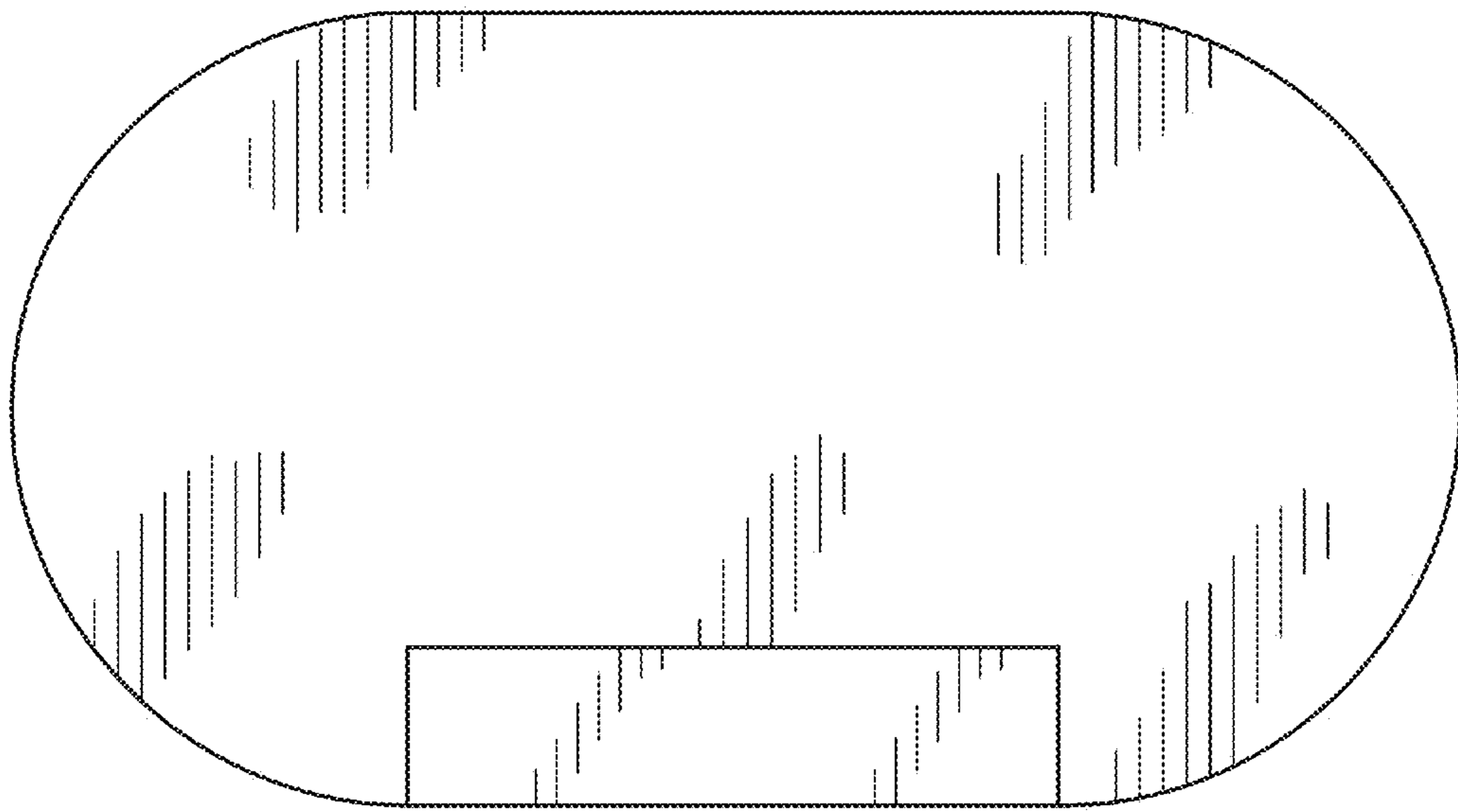
*FIG. 8*



*FIG. 9*



*FIG. 10*



*FIG. 11*