



US00D763206S

(12) **United States Design Patent**
Lin et al.

(10) **Patent No.:** **US D763,206 S**

(45) **Date of Patent:** **** Aug. 9, 2016**

(54) **LIGHT EMITTING DIODE PACKAGE**

(56) **References Cited**

(71) Applicant: **ADVANCED OPTOELECTRONIC TECHNOLOGY, INC.**, Hsinchu Hsien (TW)

U.S. PATENT DOCUMENTS

(72) Inventors: **Hou-Te Lin**, Hsinchu (TW);
Chao-Hsiung Chang, Hsinchu (TW);
Pin-Chuan Chen, Hsinchu (TW);
Lung-Hsin Chen, Hsinchu (TW)

D495,304	S	*	8/2004	Kim	D13/180
D584,246	S	*	1/2009	Low	D13/180
D595,244	S	*	6/2009	In	D13/180
D595,245	S	*	6/2009	Kim	D13/180
D608,309	S	*	1/2010	Kim	D13/180
D640,211	S	*	6/2011	Kokubu	D13/180
8,106,406	B2	*	1/2012	Liu	H01L 23/49575 257/676
D660,813	S	*	5/2012	Otaki	D13/180
D676,003	S	*	2/2013	Takeda	D13/180
D693,780	S	*	11/2013	Chen	D13/180
D695,239	S	*	12/2013	Ko	D13/180
D698,742	S	*	2/2014	Niikura	D13/180
D712,851	S	*	9/2014	Cai	D13/180
D728,491	S	*	5/2015	Nakabayashi	D13/180
2010/0059782	A1	*	3/2010	Fujitomo	H01L 24/97 257/98
2012/0286301	A1	*	11/2012	Kobayakawa	H01L 33/60 257/88

(73) Assignee: **ADVANCED OPTOELECTRONIC TECHNOLOGY, INC.**, Hsinchu Hsien (TW)

(**) Term: **14 Years**

(21) Appl. No.: **29/522,885**

(22) Filed: **Apr. 3, 2015**

(30) **Foreign Application Priority Data**

Jan. 29, 2015 (CN) 2015 3 00279928

(51) **LOC (10) Cl.** **13-03**

(52) **U.S. Cl.**
USPC **D13/180**

(58) **Field of Classification Search**
USPC D13/180; D26/1
CPC ... H01L 25/167; H01L 25/0753; H01L 27/15;
H01L 27/156; H01L 31/02; H01L 33/00;
H01L 33/04; H01L 33/08; H01L 33/10;
H01L 33/20; H01L 33/38; H01L 33/42;
H01L 33/48; H01L 33/62; H01L 33/483;
H01L 33/486; F21K 9/00; F21K 9/30; F21K
9/54

See application file for complete search history.

* cited by examiner

Primary Examiner — Selina Sikder

(74) *Attorney, Agent, or Firm* — ScienBiziP, P.C.

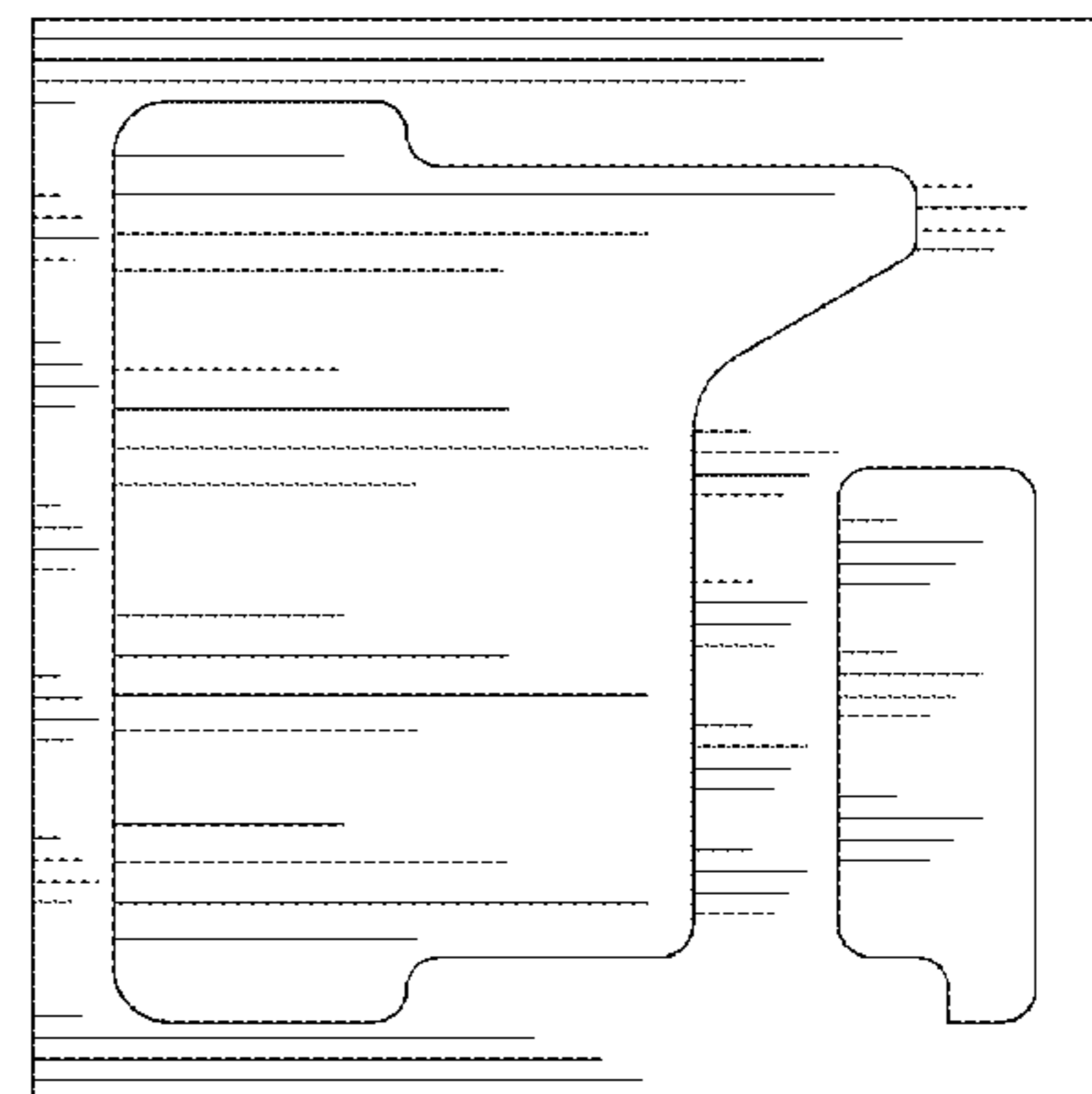
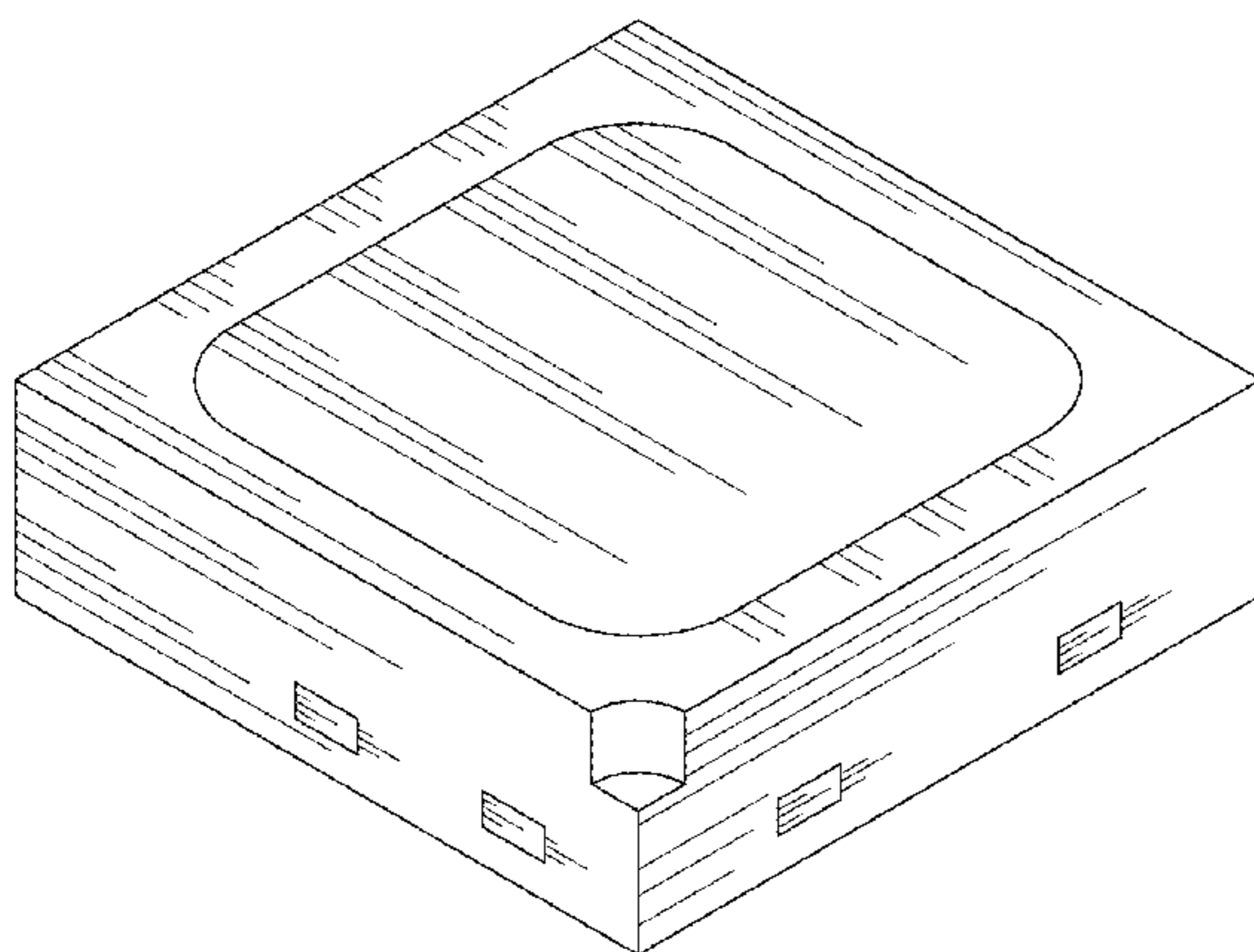
(57) **CLAIM**

The ornamental design for a light emitting diode package, as shown and described.

DESCRIPTION

FIG. 1 is a perspective view of a light emitting diode package showing our new design;
FIG. 2 is a front elevational view thereof;
FIG. 3 is a rear elevational view thereof;
FIG. 4 is a left-side, elevational view thereof;
FIG. 5 is a right-side, elevational view thereof;
FIG. 6 is a top plan view thereof; and,
FIG. 7 is a bottom plan view thereof.

1 Claim, 7 Drawing Sheets



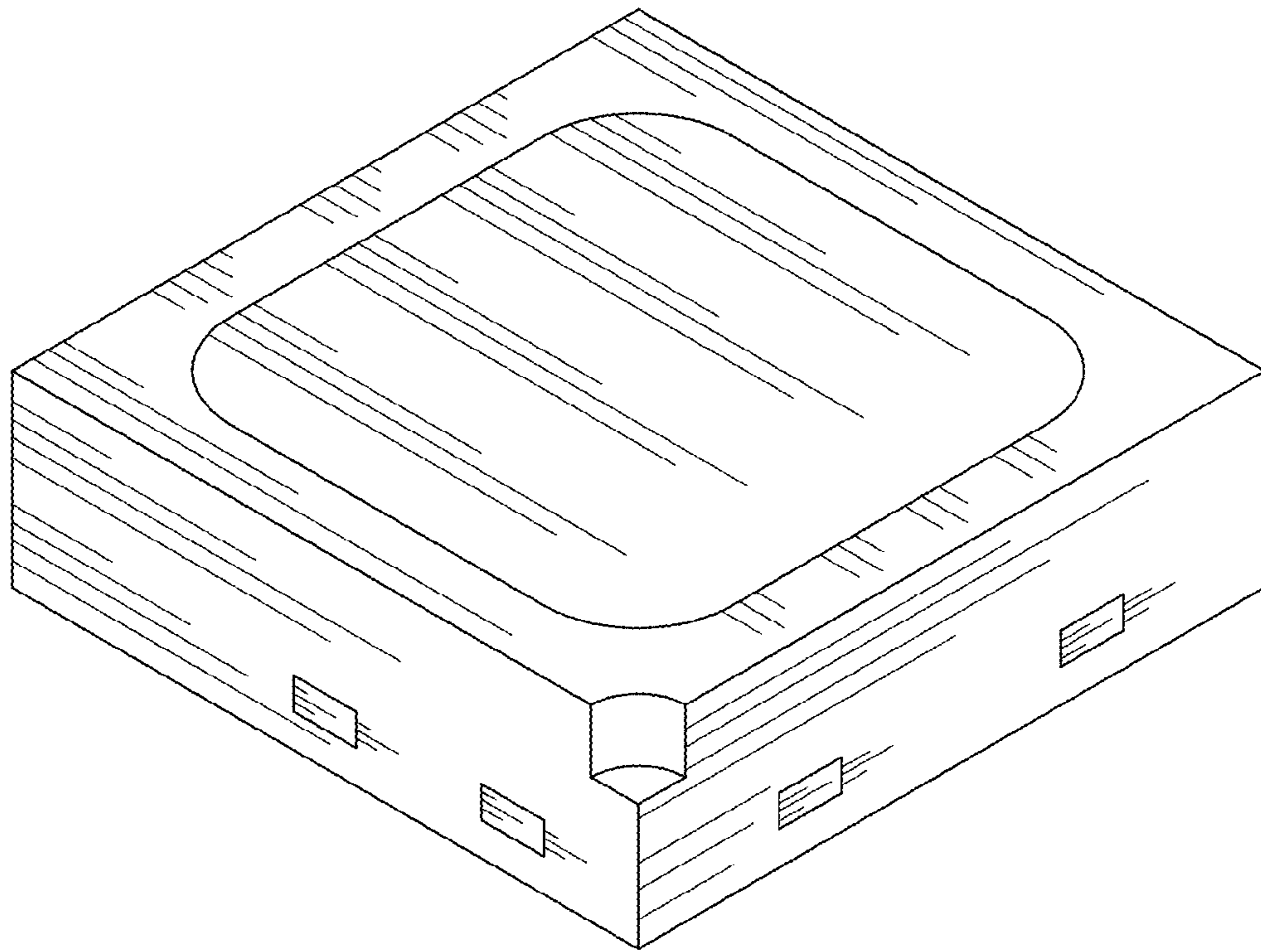


FIG. 1

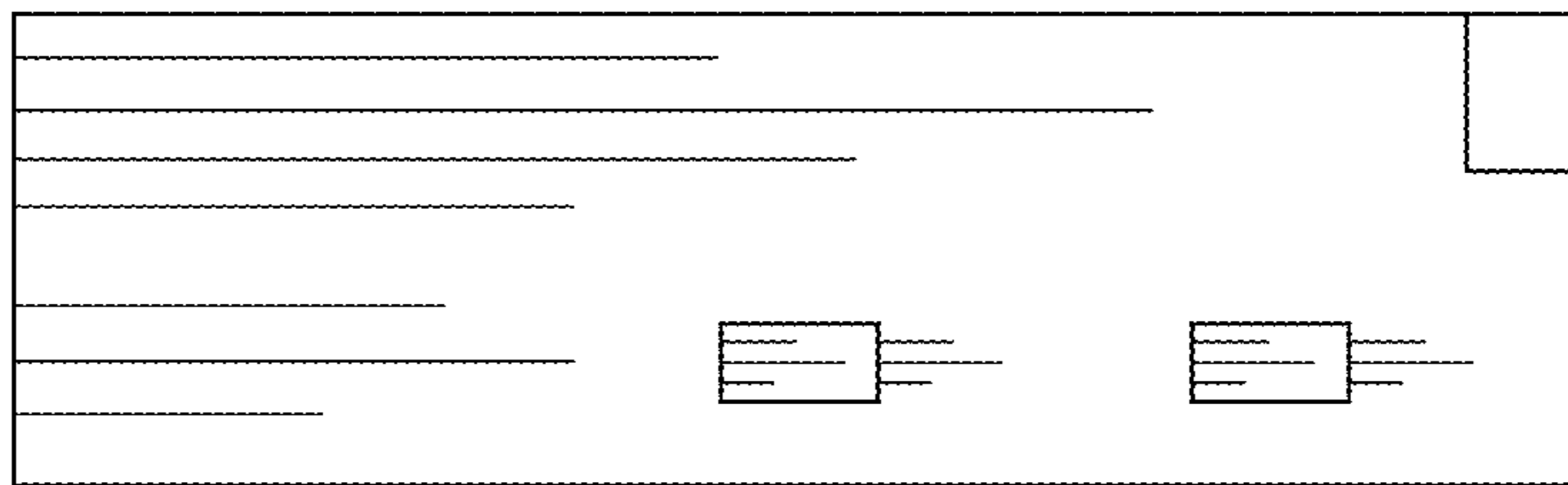


FIG. 2

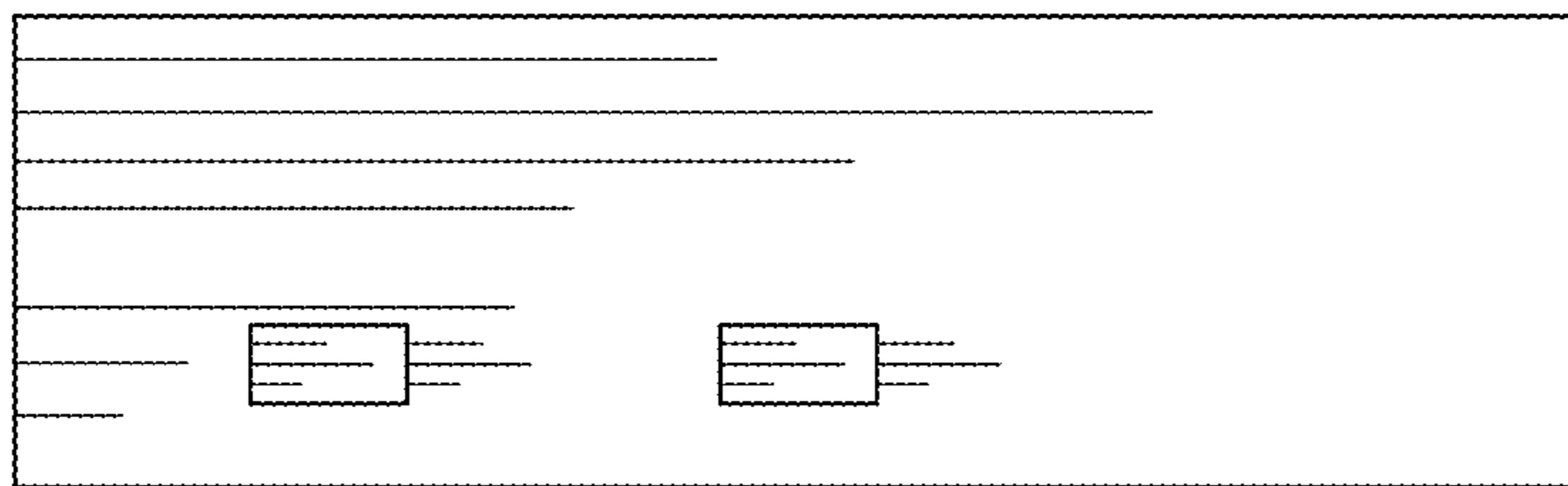


FIG. 3

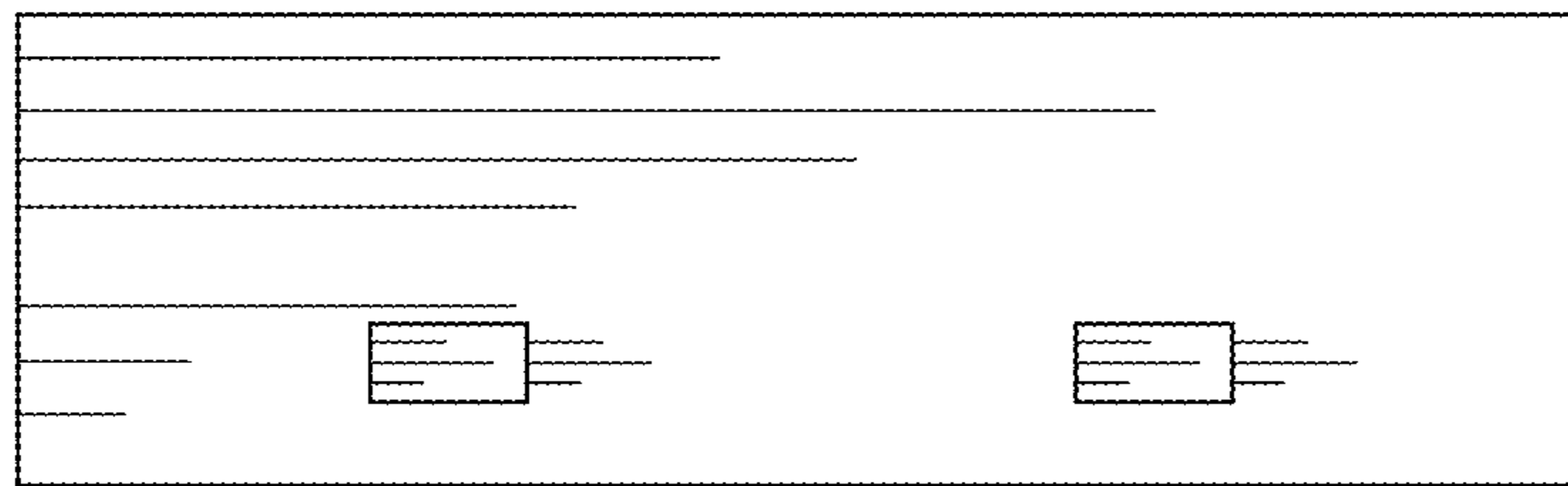


FIG. 4

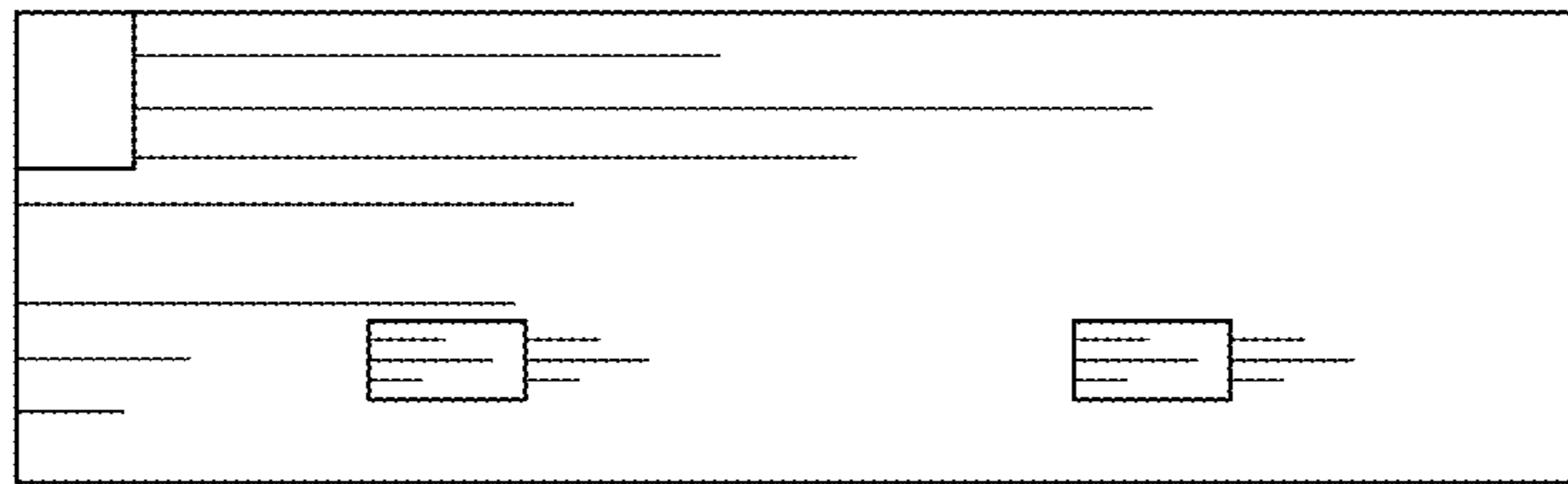


FIG. 5

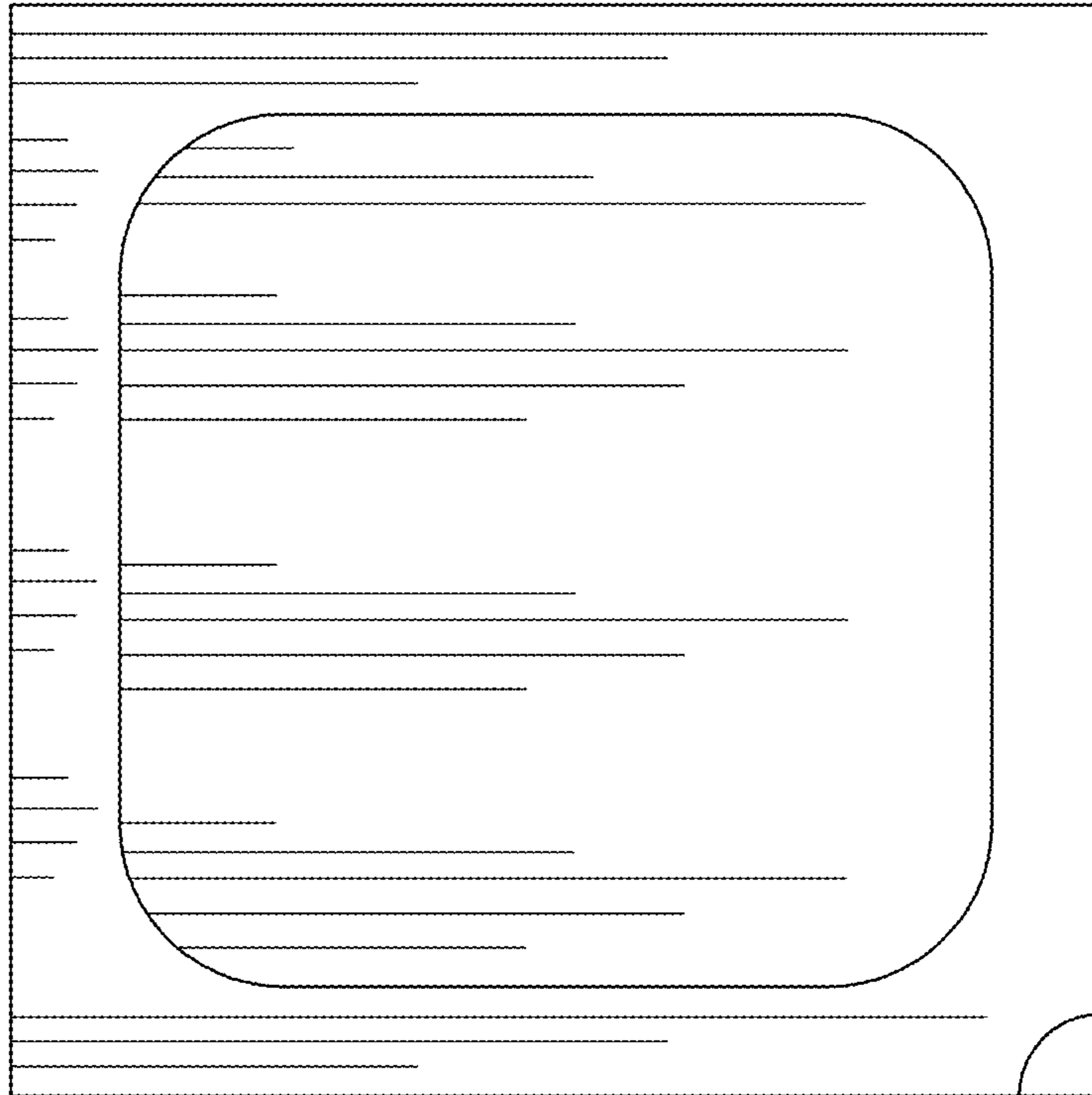


FIG. 6

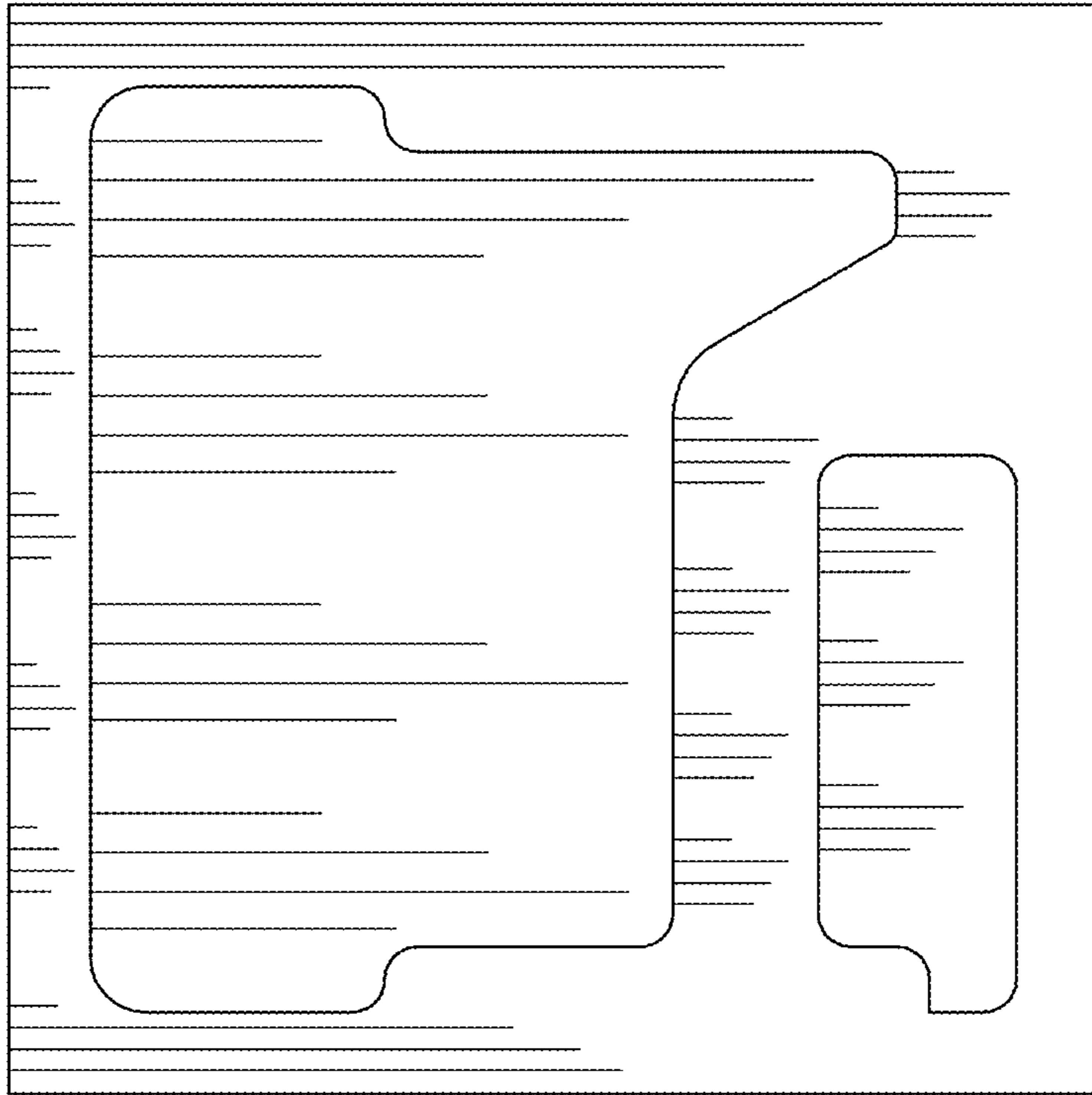


FIG. 7