



US00D763200S

(12) **United States Design Patent**  
**Hirose et al.**

(10) **Patent No.:** **US D763,200 S**  
(45) **Date of Patent:** **\*\* Aug. 9, 2016**

- (54) **RELAY**
- (71) Applicant: **OMRON Corporation**, Shimogyo-ku, Kyoto (JP)
- (72) Inventors: **Yuji Hirose**, Kyoto (JP); **Masayuki Shinohara**, Kyoto (JP); **Yasuhiro Tanoue**, Shiga (JP); **Hiroyuki Miyamoto**, Shiga (JP); **Yoshimasa Osumi**, Kyoto (JP); **Kazuhide Hirota**, Shiga (JP)
- (73) Assignee: **OMRON CORPORATION**, Kyoto (JP)

D264,423	S	*	5/1982	Naylor	.....	D8/1
D489,598	S	*	5/2004	Balaban	.....	D8/354
7,675,426	B2	*	3/2010	Takada	.....	H01H 50/08 324/418
D684,033	S	*	6/2013	Preda	.....	D8/354
D711,824	S	*	8/2014	Matsuoka	.....	D13/110
D729,611	S	*	5/2015	Schmidt	.....	D8/349
2003/0126820	A1	*	7/2003	Callahan	.....	E04B 5/12 52/514
2004/0104184	A1	*	6/2004	Hartman	.....	A47B 88/044 211/26
2005/0052263	A1	*	3/2005	Saruwatari	.....	H01H 50/08 335/17
2005/0127256	A1	*	6/2005	Johnson	.....	H02G 3/126 248/205.1

(Continued)

- (\*\*) Term: **14 Years**
- (21) Appl. No.: **29/501,147**
- (22) Filed: **Sep. 2, 2014**

**FOREIGN PATENT DOCUMENTS**

CN	3343539	*	12/2003
JP	D1490151		2/2014
JP	D1490162		2/2014

(30) **Foreign Application Priority Data**

Mar. 4, 2014 (JP) ..... 2014-004612

- (51) **LOC (10) Cl.** ..... **13-03**
- (52) **U.S. Cl.**  
USPC ..... **D13/159**

- (58) **Field of Classification Search**  
USPC ..... D13/110, 118, 123, 133, 147, 152, 154,  
D13/158-160, 171, 173, 174, 184, 199;  
D8/349, 354, 373, 380, 499  
CPC ..... H01H 50/00; H01H 50/08; H01H 50/60;  
H01H 50/26; H01H 51/065; H01H 51/06;  
H01H 71/08; H01H 73/18; G02B 6/0008;  
G02B 5/0226

See application file for complete search history.

(56) **References Cited**

**U.S. PATENT DOCUMENTS**

D205,793	S	*	9/1966	Holmes	.....	D8/354
3,993,394	A	*	11/1976	Cooper	.....	H01R 13/516 439/701
D251,840	S	*	5/1979	Fujita	.....	D13/159

*Primary Examiner* — Thomas Johannes

*Assistant Examiner* — Shawn T Gingrich

(74) *Attorney, Agent, or Firm* — Harness, Dickey & Pierce, P.L.C.

(57) **CLAIM**

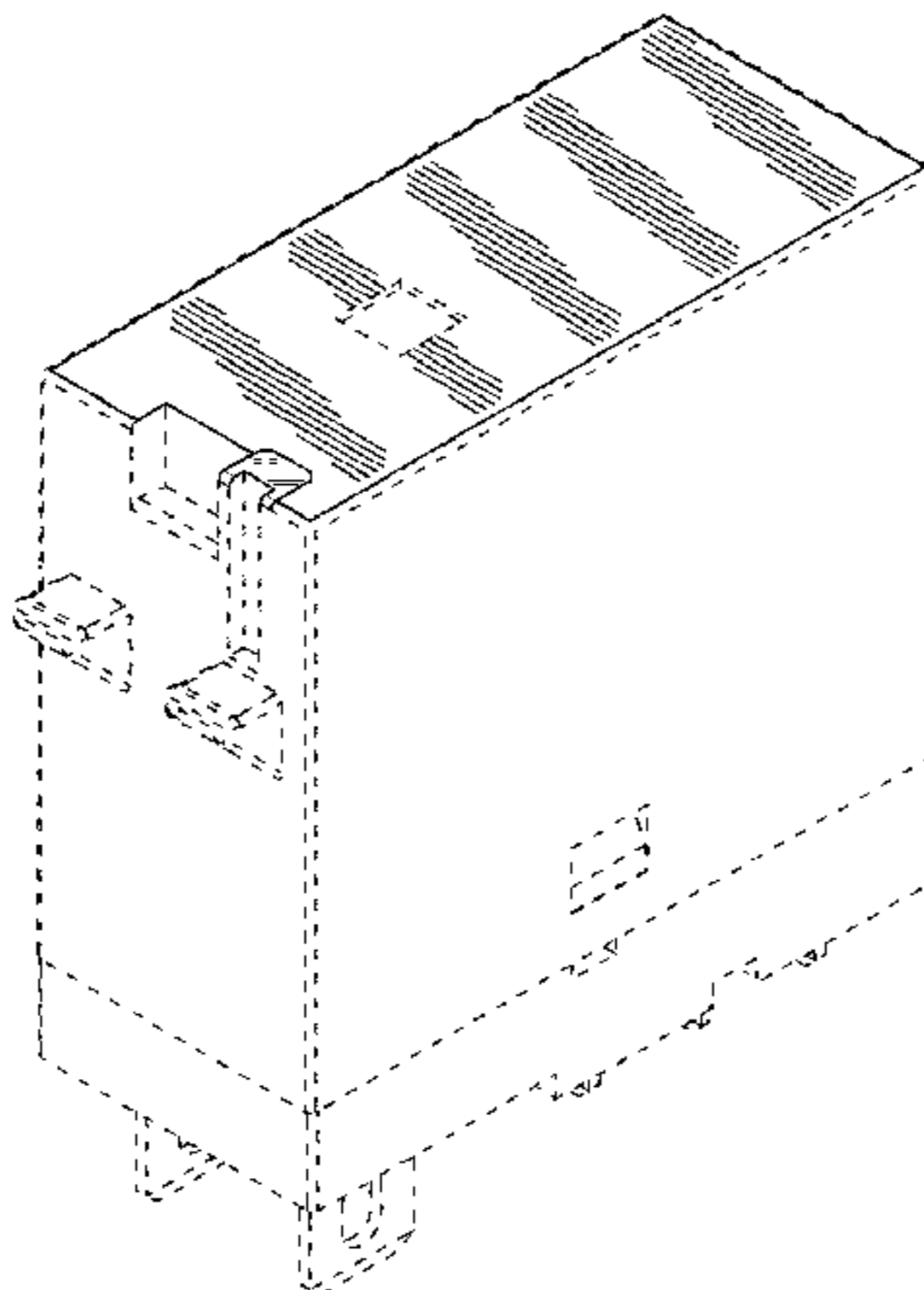
The ornamental design for a relay, as shown and described.

**DESCRIPTION**

FIG. 1 is a perspective view of a relay;  
 FIG. 2 is a front elevational view thereof;  
 FIG. 3 is a rear elevational view thereof;  
 FIG. 4 is a left side view thereof;  
 FIG. 5 is a right side view thereof;  
 FIG. 6 is a top plan view thereof; and,  
 FIG. 7 is a bottom plan view thereof.

The broken lines depict environmental subject matter only and form no part of the claimed design. The oblique short lines in FIGS. 1 and 6 are intended to illustrate that the surface is translucent.

**1 Claim, 3 Drawing Sheets**



# US D763,200 S

Page 2

---

(56)

## References Cited

### U.S. PATENT DOCUMENTS

2008/0224878	A1*	9/2008	Takada	.....	H01H 50/08	340/644	2014/0106580	A1*	4/2014	Sato	.....	B60R 16/0239
2014/0062626	A1*	3/2014	Saito	.....	H01H 51/04	335/185	2015/0123750	A1*	5/2015	Pan	.....	H01H 9/16
							2015/0234109	A1*	8/2015	Hirose	.....	G02B 5/0226
												362/558

\* cited by examiner

Fig. 1

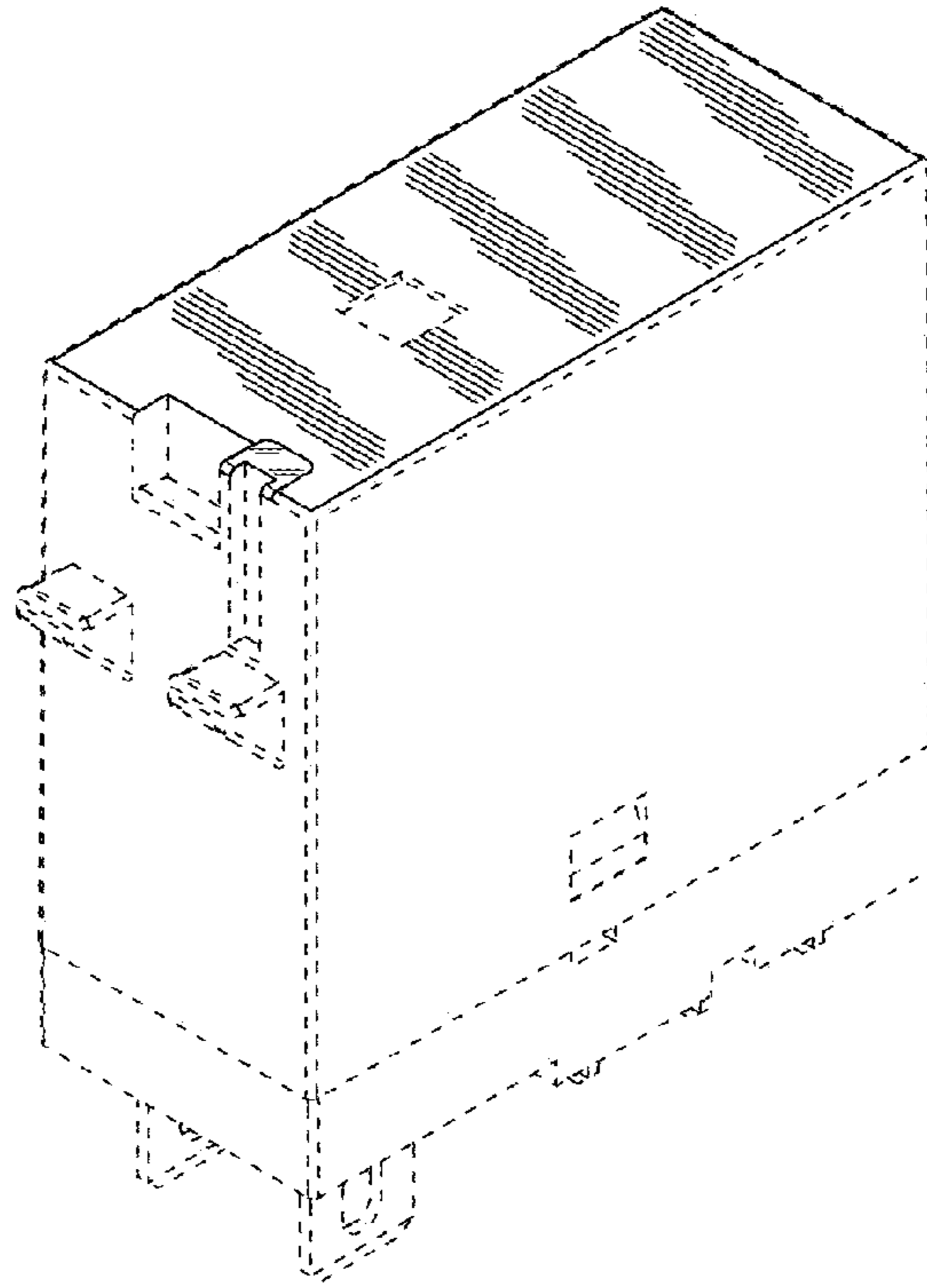


Fig. 2

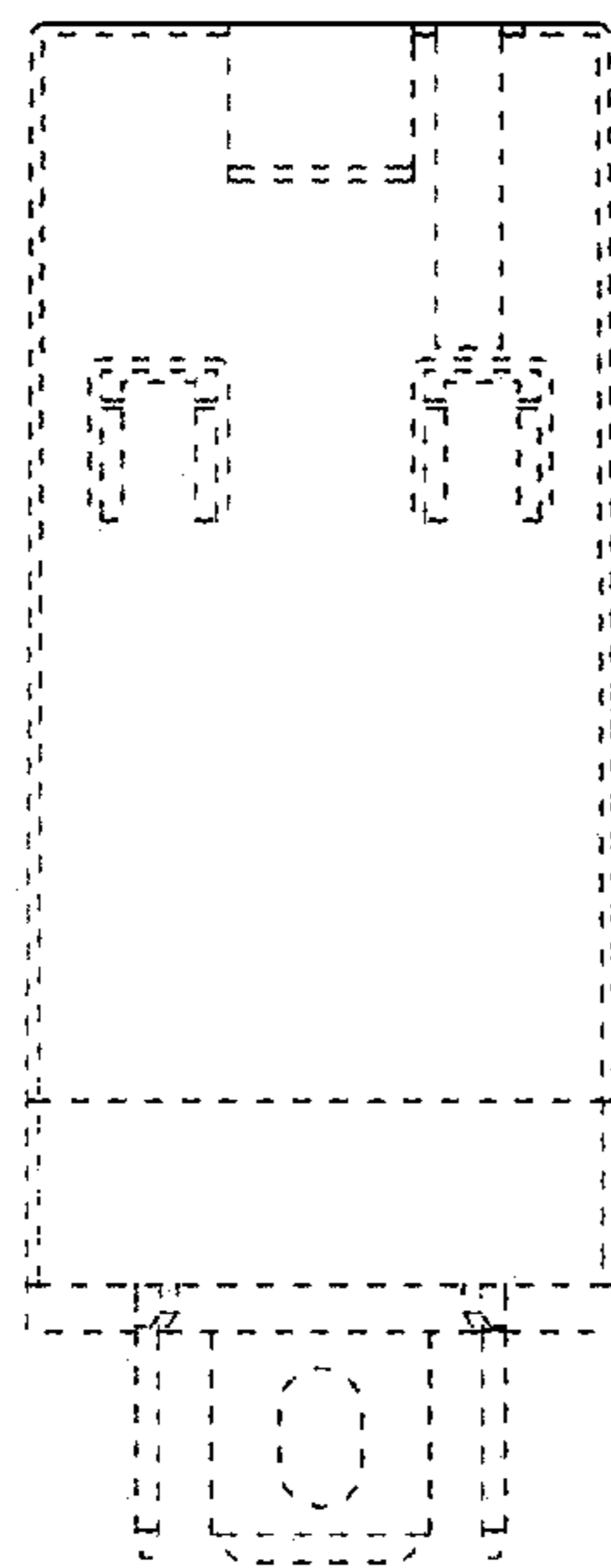


Fig. 3

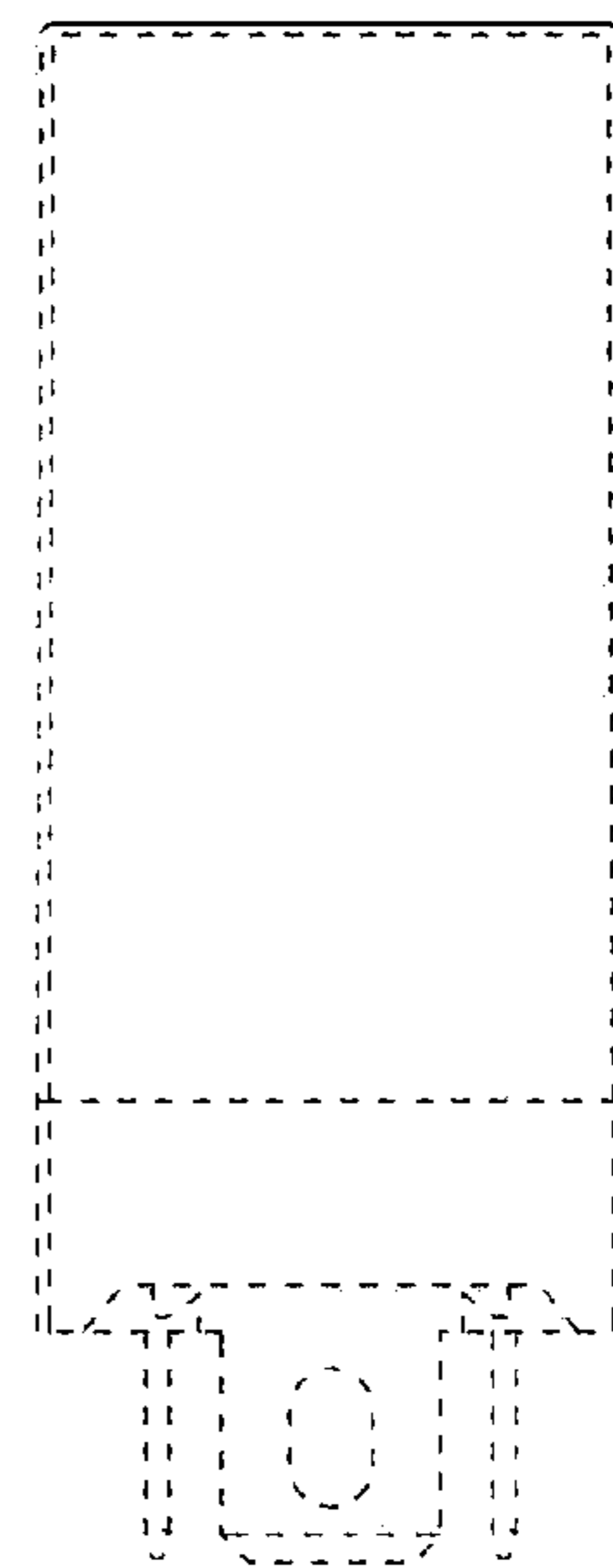


Fig. 4

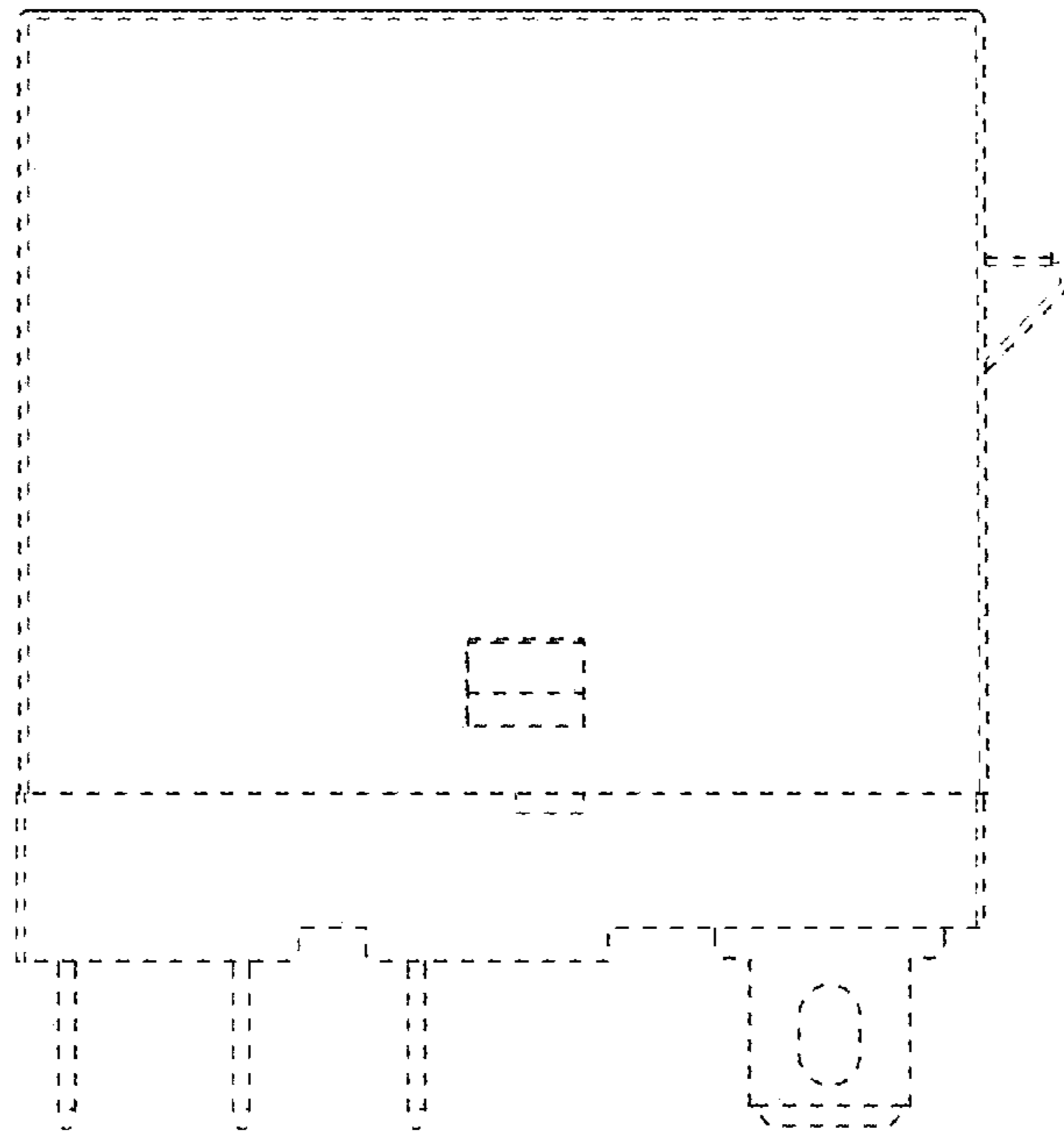


Fig. 5

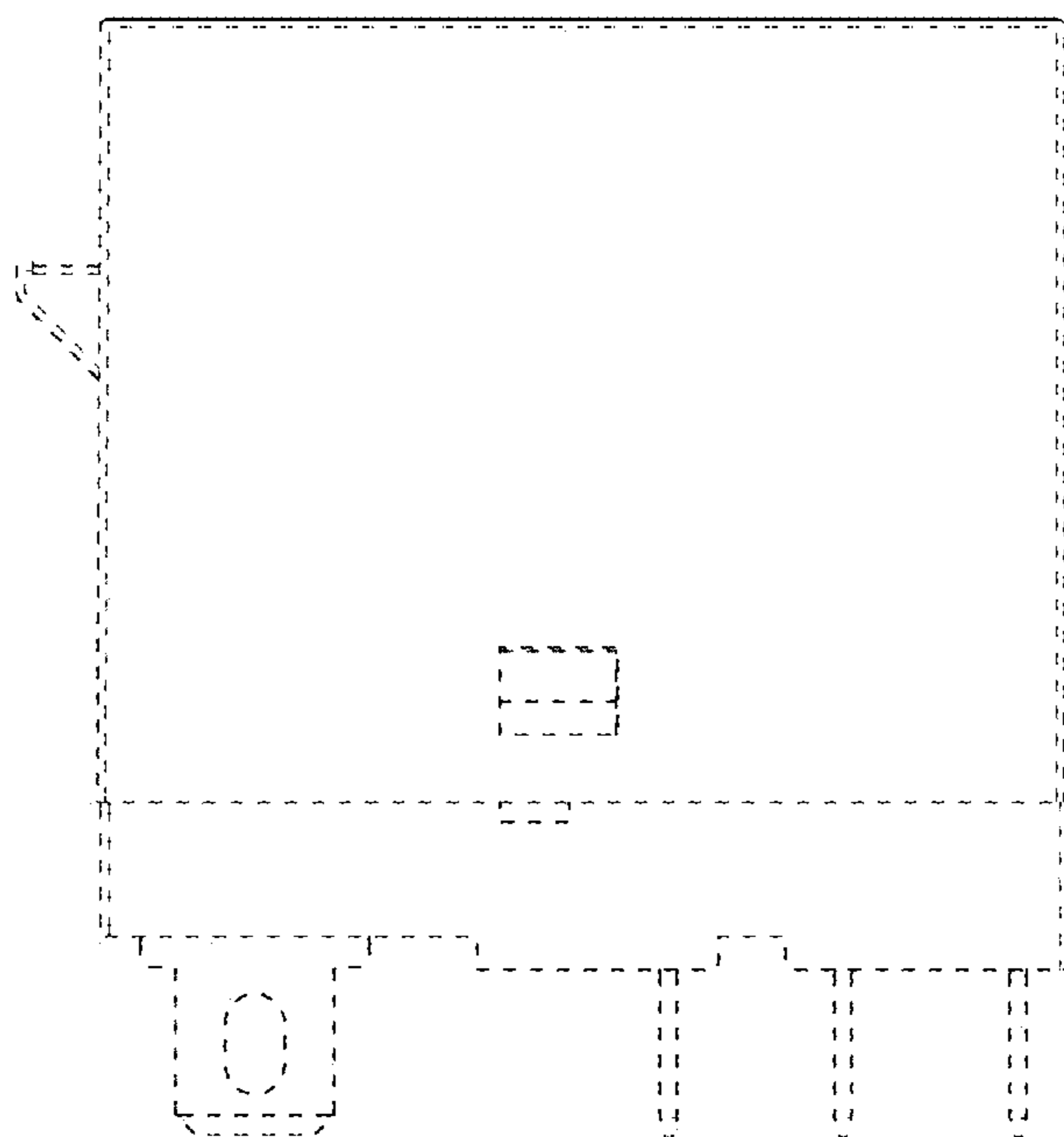


Fig. 6

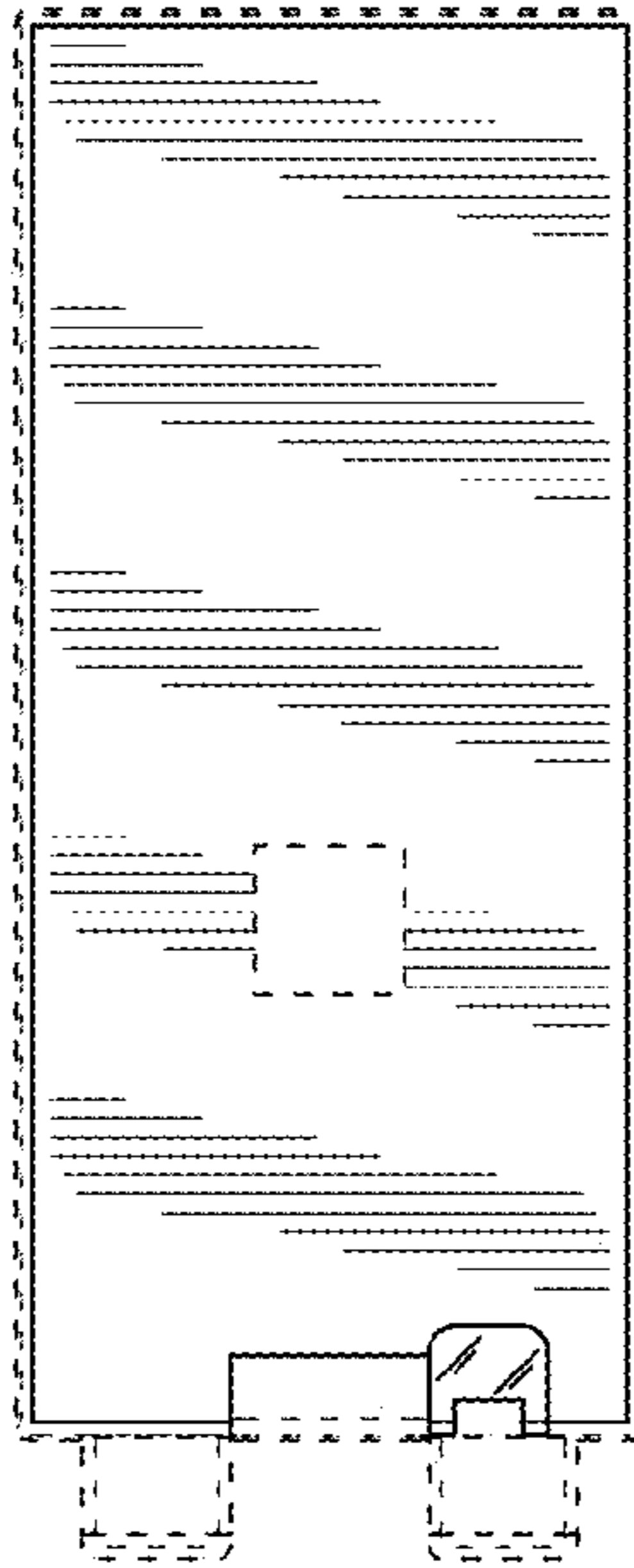


Fig. 7

