



US00D763197S

(12) **United States Design Patent**  
**Beck et al.**

(10) **Patent No.:** **US D763,197 S**  
(45) **Date of Patent:** **\*\* Aug. 9, 2016**

- (54) **ELECTRONICS CABLE**
- (71) Applicant: **Paracable, Inc.**, Houston, TX (US)
- (72) Inventors: **Travis Beck**, Houston, TX (US); **David Fisher**, Catoosa, OK (US)
- (73) Assignee: **Paracable, Inc.**, Houston, TX (US)
- (\*\*) Term: **15 Years**
- (21) Appl. No.: **29/532,725**
- (22) Filed: **Jul. 9, 2015**

|              |         |                  |         |
|--------------|---------|------------------|---------|
| D672,391 S * | 12/2012 | Peritz .....     | D19/117 |
| D679,253 S * | 4/2013  | Lin .....        | D13/153 |
| D679,655 S * | 4/2013  | Lin .....        | D13/147 |
| D703,614 S * | 4/2014  | Lee .....        | D13/147 |
| D705,178 S * | 5/2014  | Olsson .....     | D13/153 |
| D706,752 S * | 6/2014  | Myung .....      | D14/240 |
| D707,180 S * | 6/2014  | Yi .....         | D13/147 |
| D714,729 S * | 10/2014 | Akana .....      | D13/147 |
| D716,235 S * | 10/2014 | Tien .....       | D13/147 |
| D716,739 S * | 11/2014 | Yamamoto .....   | D13/147 |
| D727,907 S * | 4/2015  | Higashi .....    | D14/433 |
| D728,482 S * | 5/2015  | Cepress .....    | D13/147 |
| D730,903 S * | 6/2015  | Langhammer ..... | D14/433 |
| D731,489 S * | 6/2015  | Langhamme .....  | D14/433 |
| D734,272 S * | 7/2015  | Dang .....       | D13/153 |

(Continued)

**Related U.S. Application Data**

- (62) Division of application No. 29/460,346, filed on Jul. 10, 2013, now Pat. No. Des. 745,851.
- (51) **LOC (10) Cl.** ..... **13-03**
- (52) **U.S. Cl.**  
USPC ..... **D13/153**
- (58) **Field of Classification Search**  
USPC ..... D13/153, 154, 147, 133; D14/240, 433;  
D23/262; 156/56, 51  
CPC ..... H01B 11/1808; H01B 7/2806  
See application file for complete search history.

*Primary Examiner* — Holly Baynham

*Assistant Examiner* — Rhea Shields

(74) *Attorney, Agent, or Firm* — Hoffman & Baron, LLP

(57) **CLAIM**

The ornamental design for the electronics cable, as shown and described.

**DESCRIPTION**

FIG. 1 is a top perspective view of the electronics cable in accordance with our new design;  
 FIG. 2 is a top plan view thereof;  
 FIG. 3 is a left elevational view thereof;  
 FIG. 4 is a right elevational view thereof;  
 FIG. 5 is a front elevational view thereof;  
 FIG. 6 is a rear elevational view thereof; and,  
 FIG. 7 is a bottom plan view thereof.

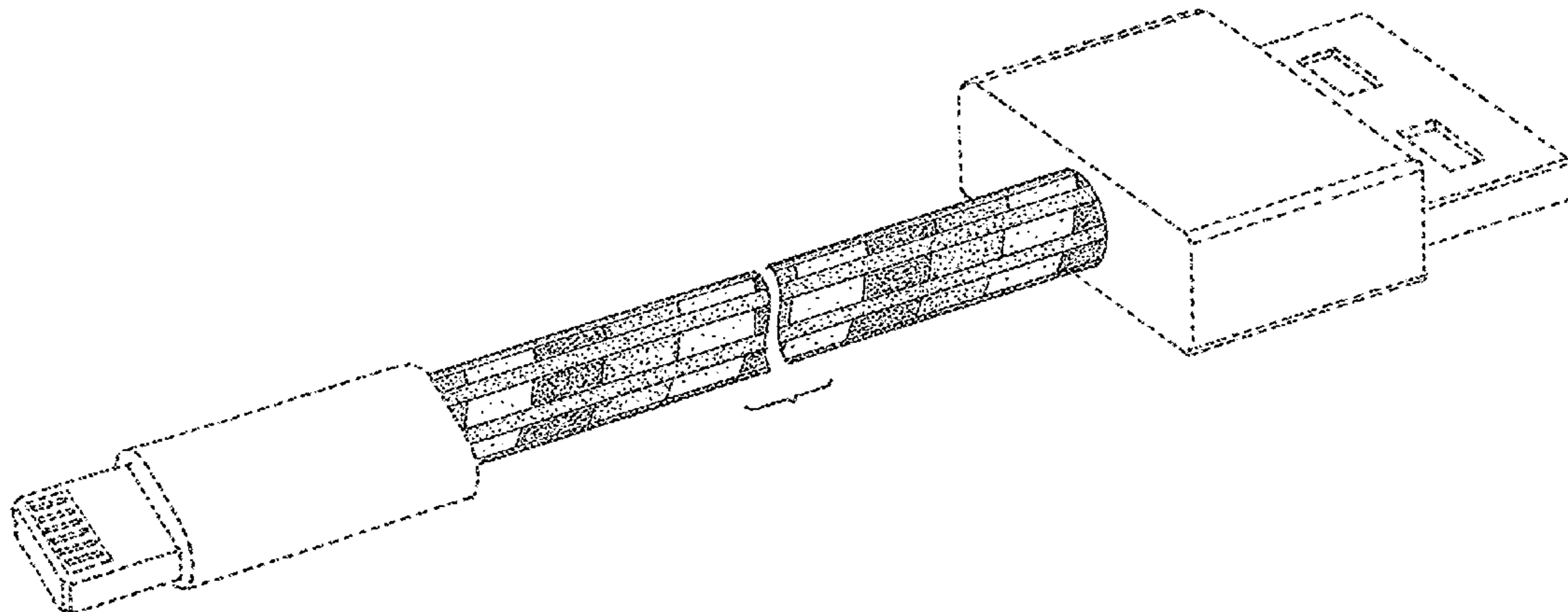
In the drawings, the electronics cable is shown with a symbolic break in its length. The appearance of any portion of the article between the break lines forms no part of the claimed design. The stippling feature shown in the drawings indicates contrast in appearance. The broken lines in the drawings depict unclaimed subject matter only and form no part of the claimed design.

(56) **References Cited**

**U.S. PATENT DOCUMENTS**

|               |         |               |                        |
|---------------|---------|---------------|------------------------|
| 4,187,391 A * | 2/1980  | Voser .....   | H01B 11/1808<br>156/56 |
| 5,414,211 A * | 5/1995  | Chan .....    | H01B 7/2806<br>156/51  |
| D454,116 S *  | 3/2002  | Barlow .....  | D13/153                |
| D494,935 S *  | 8/2004  | Milan .....   | D13/153                |
| D585,383 S *  | 1/2009  | Sieff .....   | D13/153                |
| D609,477 S *  | 2/2010  | Leppert ..... | D13/153                |
| D621,359 S *  | 8/2010  | Hsu .....     | D13/147                |
| D621,362 S *  | 8/2010  | Huang .....   | D13/147                |
| D628,537 S *  | 12/2010 | Nagata .....  | D13/147                |
| D632,259 S *  | 2/2011  | Leppert ..... | D13/153                |
| D647,862 S *  | 11/2011 | Sieff .....   | D13/153                |

**1 Claim, 3 Drawing Sheets**



(56)

**References Cited**

U.S. PATENT DOCUMENTS

D736,357 S \* 8/2015 Melo ..... D23/262  
D738,312 S \* 9/2015 Bress ..... D13/147  
D741,808 S \* 10/2015 Shim ..... D13/147  
D743,347 S \* 11/2015 Hackleman ..... D13/153

D743,909 S \* 11/2015 Furst ..... D13/153  
D743,965 S \* 11/2015 Laffon de Mazieres ..... D13/154  
D745,851 S \* 12/2015 Beck ..... D13/153  
D746,291 S \* 12/2015 Solomon ..... D14/433  
D746,781 S \* 1/2016 Dang ..... D13/153  
D747,686 S \* 1/2016 Kawamura ..... D13/133

\* cited by examiner

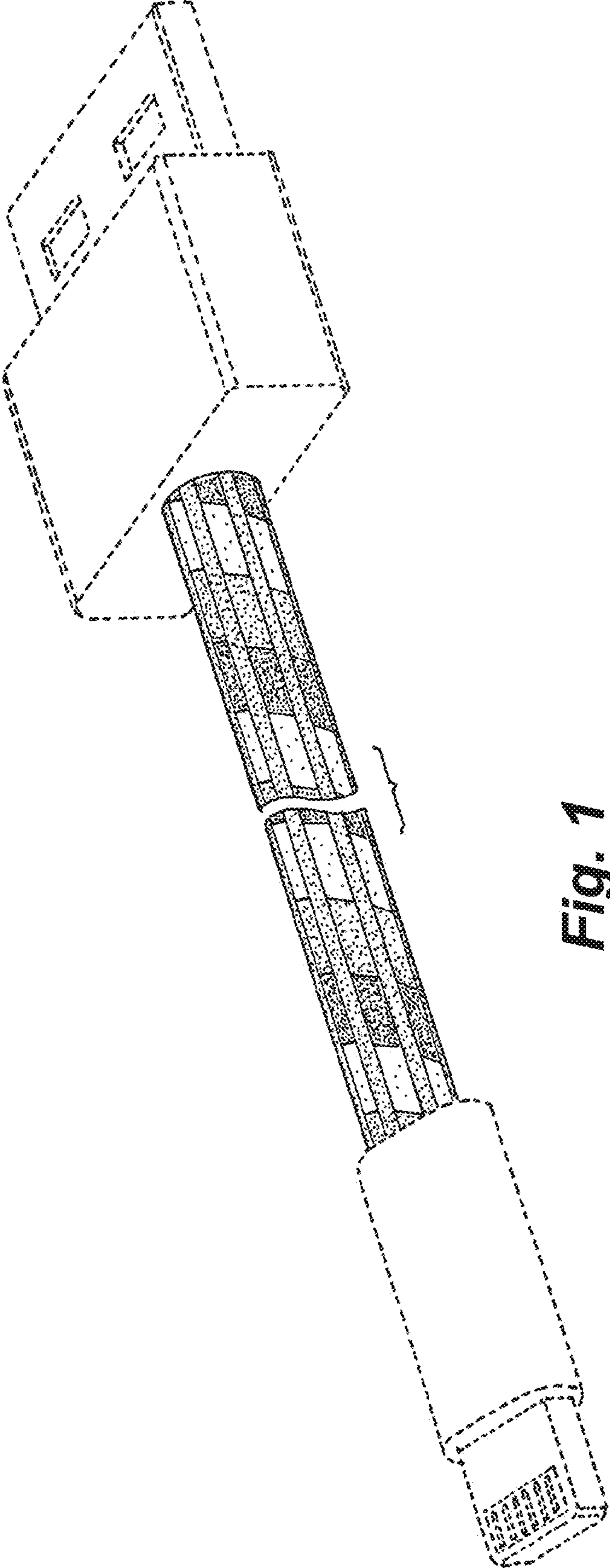


Fig. 1

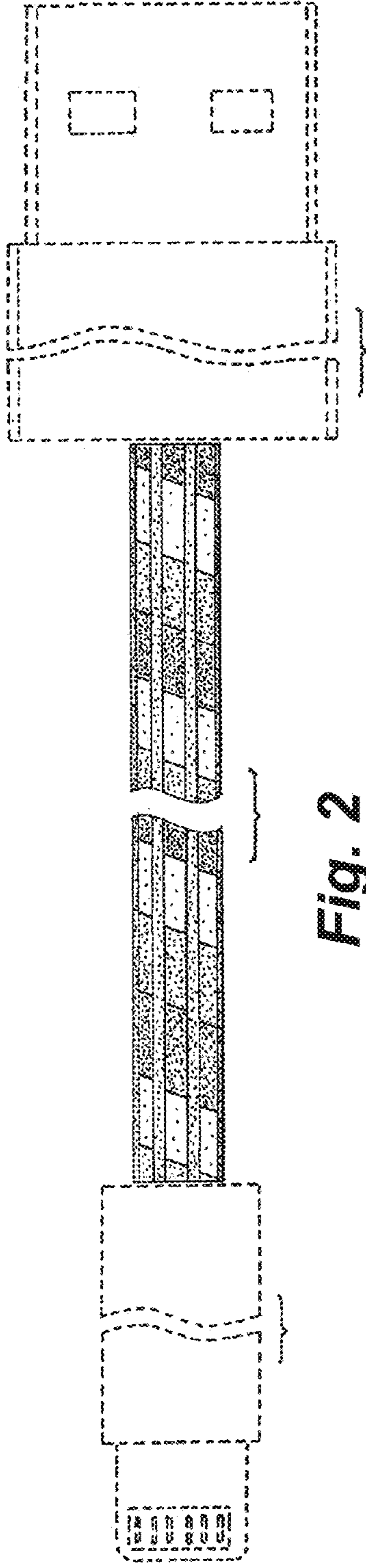


Fig. 2

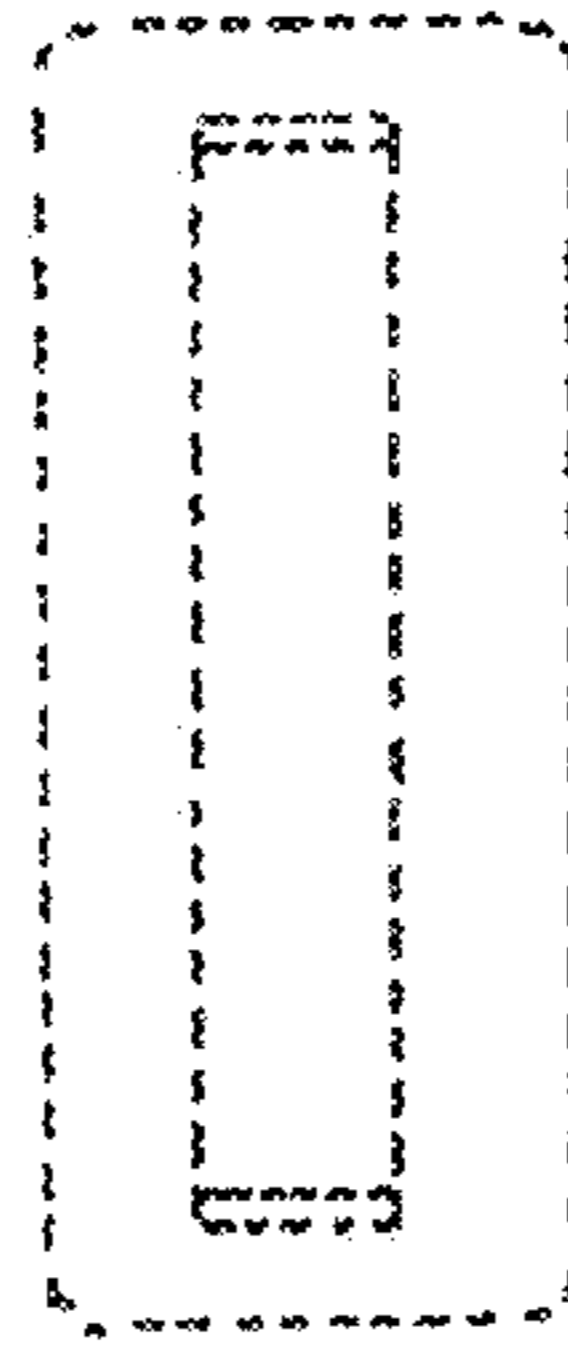


Fig. 3

Fig. 4

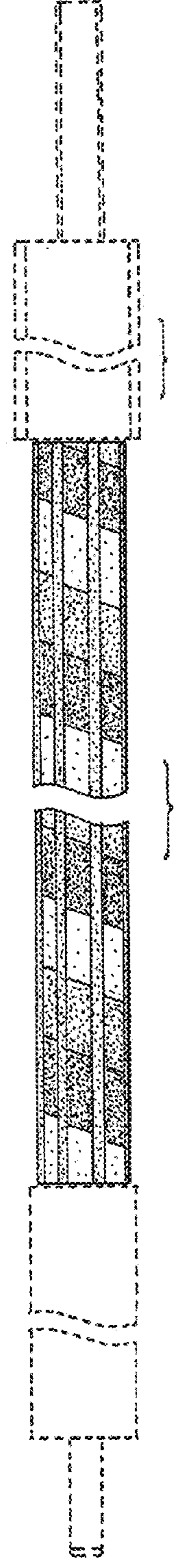


Fig. 5



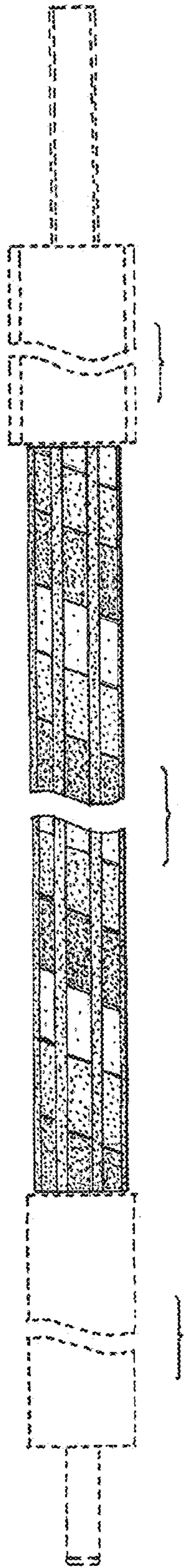


Fig. 6

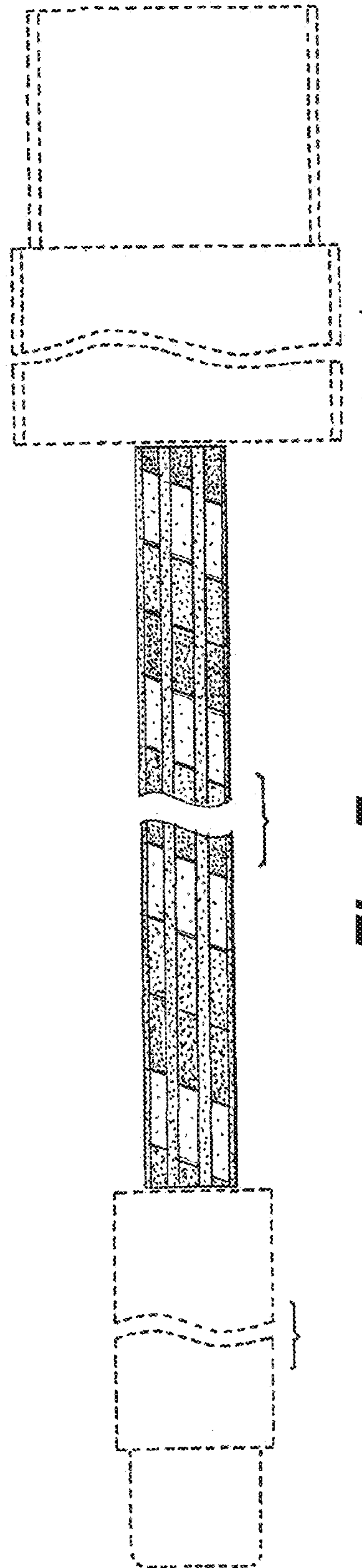


Fig. 7