



US00D763196S

(12) **United States Design Patent**
DeCosta

(10) **Patent No.:** **US D763,196 S**

(45) **Date of Patent:** **** Aug. 9, 2016**

(54) **DUPLEX RECEPTACLE HOUSING FOR
RECESSING A STANDARD RECTANGULAR
DUPLEX RECEPTACLE IN A WALL**

Primary Examiner — Holly Baynham
Assistant Examiner — Rhea Shields

(71) Applicant: **Thomas DeCosta**, Westport, MA (US)

(72) Inventor: **Thomas DeCosta**, Westport, MA (US)

(**) Term: **14 Years**

(21) Appl. No.: **29/505,015**

(22) Filed: **Apr. 22, 2015**

(51) **LOC (10) Cl.** **13-03**

(52) **U.S. Cl.**
USPC **D13/152**

(58) **Field of Classification Search**
USPC D13/152, 155, 184, 139.1–139.4, 153,
D13/177, 118; D8/353; 174/50
CPC B29C 45/14311
See application file for complete search history.

(56) **References Cited**

U.S. PATENT DOCUMENTS

D595,649 S *	7/2009	Borcherding	D13/118
D619,098 S *	7/2010	Mike	D13/152
D627,305 S *	11/2010	Gretz	D13/155
D635,099 S *	3/2011	Kramer	D13/152
D637,890 S *	5/2011	Tschirpke	D8/353
8,124,872 B2 *	2/2012	Vigorito	B29C 45/14311 174/50
D701,842 S *	4/2014	DeCosta	D13/177
D719,523 S *	12/2014	DeCosta	D13/155
D736,715 S *	8/2015	Gretz	D13/152
D744,952 S *	12/2015	Ni	D13/139.3
D745,466 S *	12/2015	Hagarty	D13/153
D745,850 S *	12/2015	Gretz	D13/152
D748,057 S *	1/2016	Picard	D13/139.4
D748,068 S *	1/2016	Weber	D13/184

* cited by examiner

(57) **CLAIM**

The ornamental design for a duplex receptacle housing for recessing a standard rectangular duplex receptacle in a wall, as shown and described.

DESCRIPTION

FIG. 1 is a front perspective view of a duplex receptacle housing for recessing a standard rectangular duplex receptacle in a wall, showing a first embodiment of my new design; and

FIG. 2 is a front perspective view of a duplex receptacle housing for recessing a standard rectangular duplex receptacle in a wall, omitting the receptacle and showing a second embodiment of my new design;

FIG. 3 is a bottom end view of FIG. 1;

FIG. 4 is a top view of FIG. 1;

FIG. 5 is a bottom view of FIG. 1;

FIG. 6 is a left side view of FIG. 1;

FIG. 7 is a right side view of FIG. 1;

FIG. 8 is a front perspective view of a duplex receptacle housing for recessing a standard rectangular duplex receptacle in a wall, omitting the inserted receptacle;

FIG. 9 is a top end view of FIG. 8;

FIG. 10 is a bottom end view of FIG. 8;

FIG. 11 is a top view of FIG. 8;

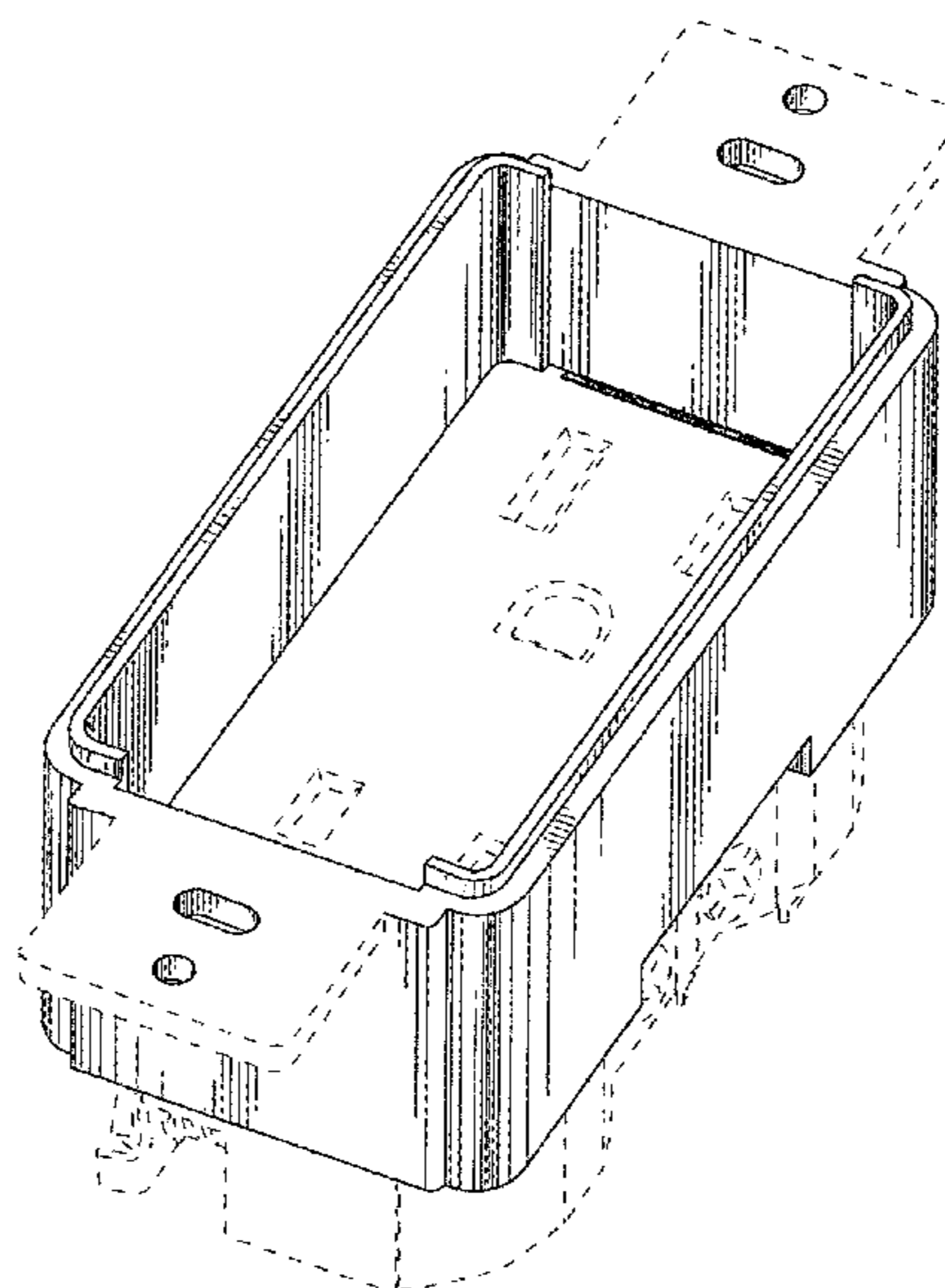
FIG. 12 is a bottom view of FIG. 8;

FIG. 13 is a left side view of FIG. 8; and,

FIG. 14 is a right side view of FIG. 8.

In the drawings, the broken lines are for the purpose of illustrating environment only and form no part of the claimed design.

1 Claim, 14 Drawing Sheets



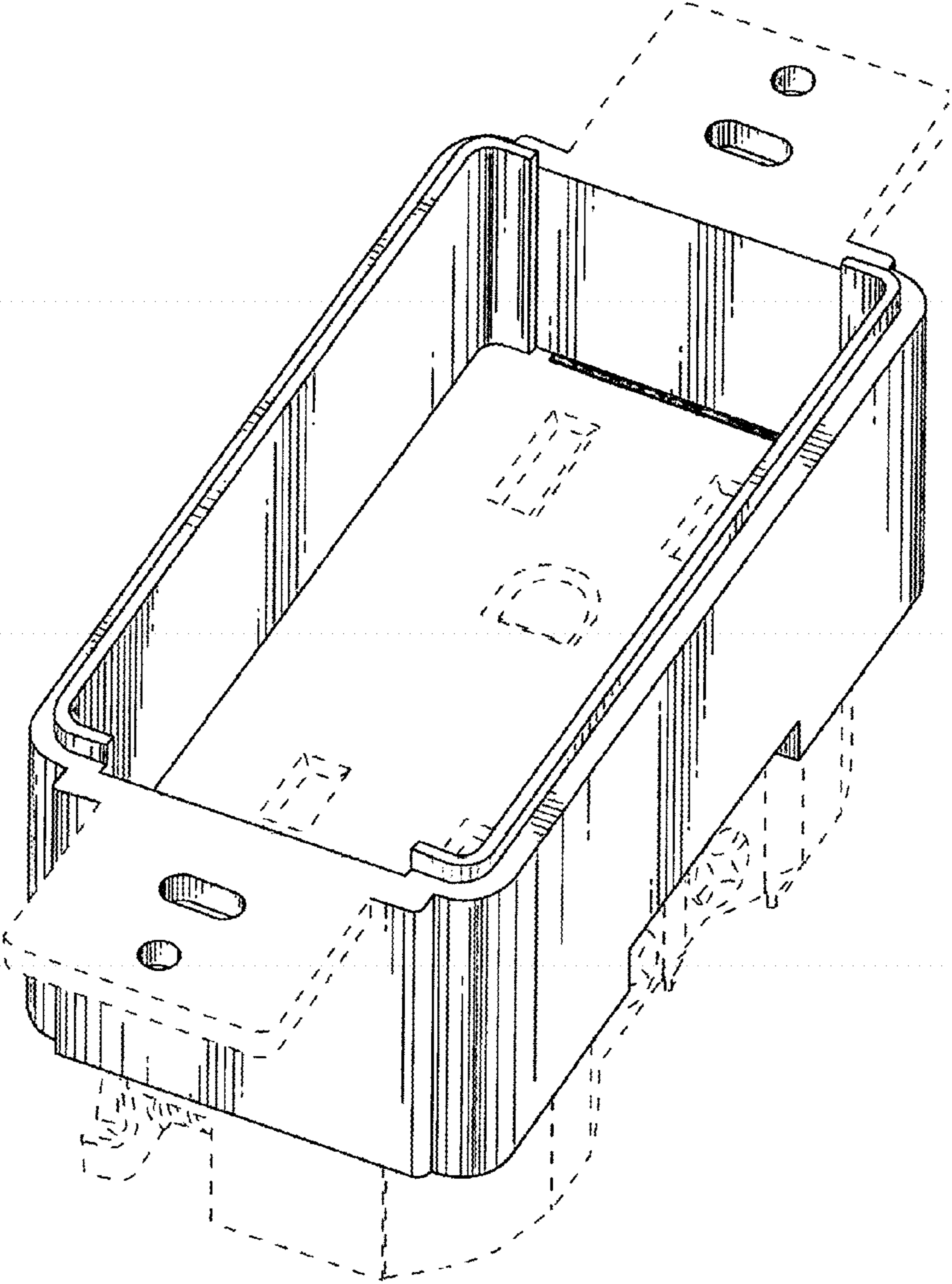


FIG. 1

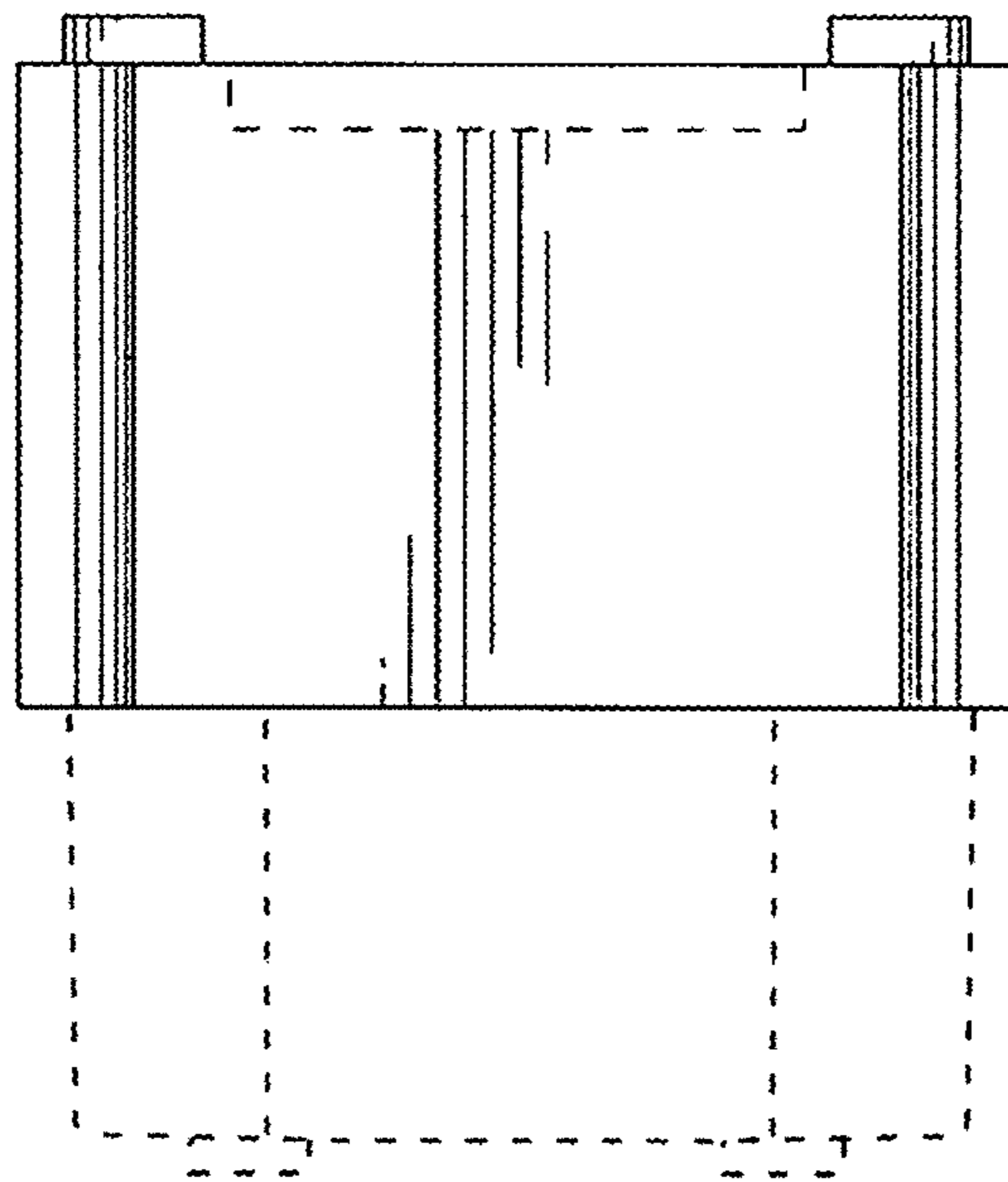


FIG. 2

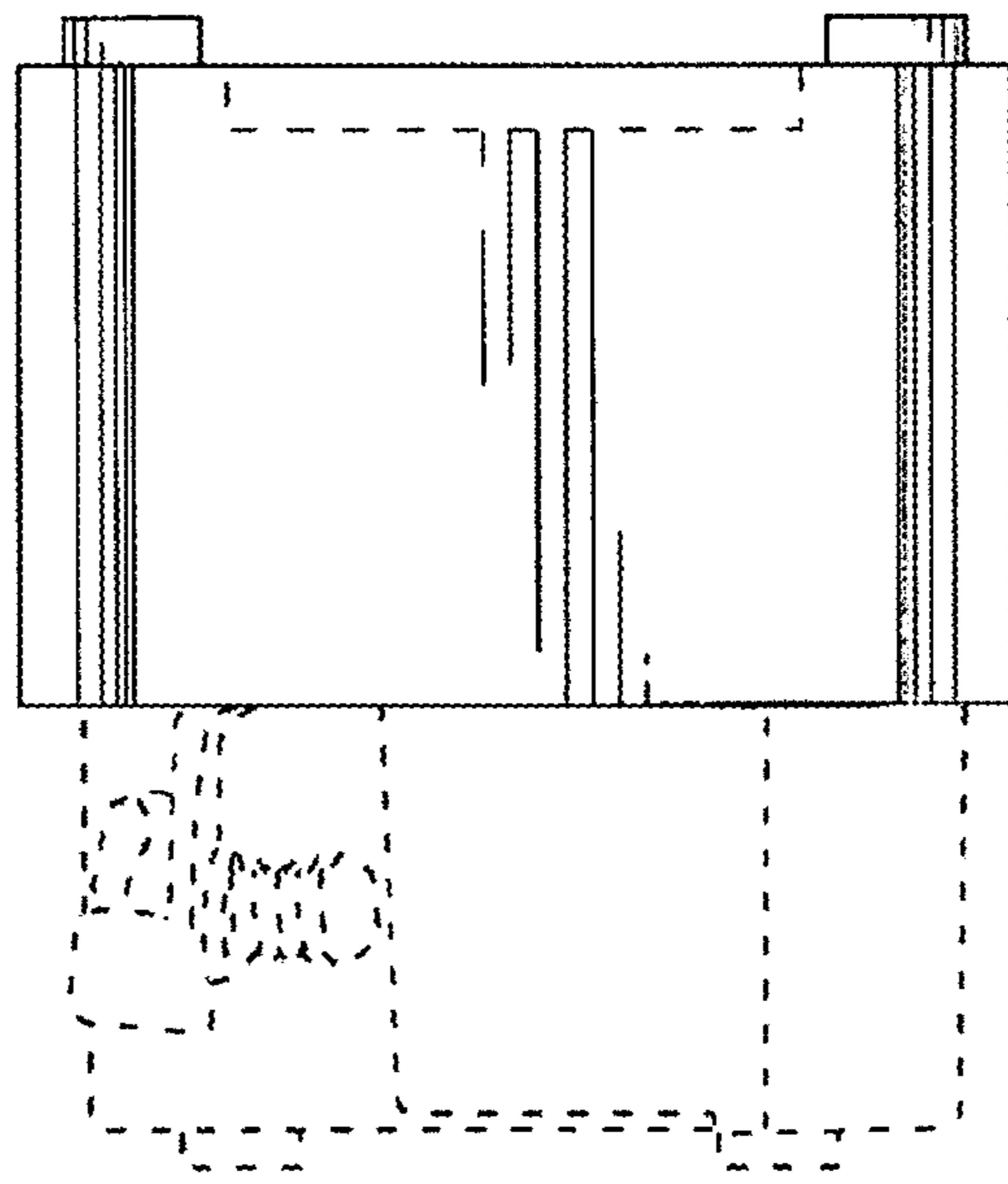


FIG. 3

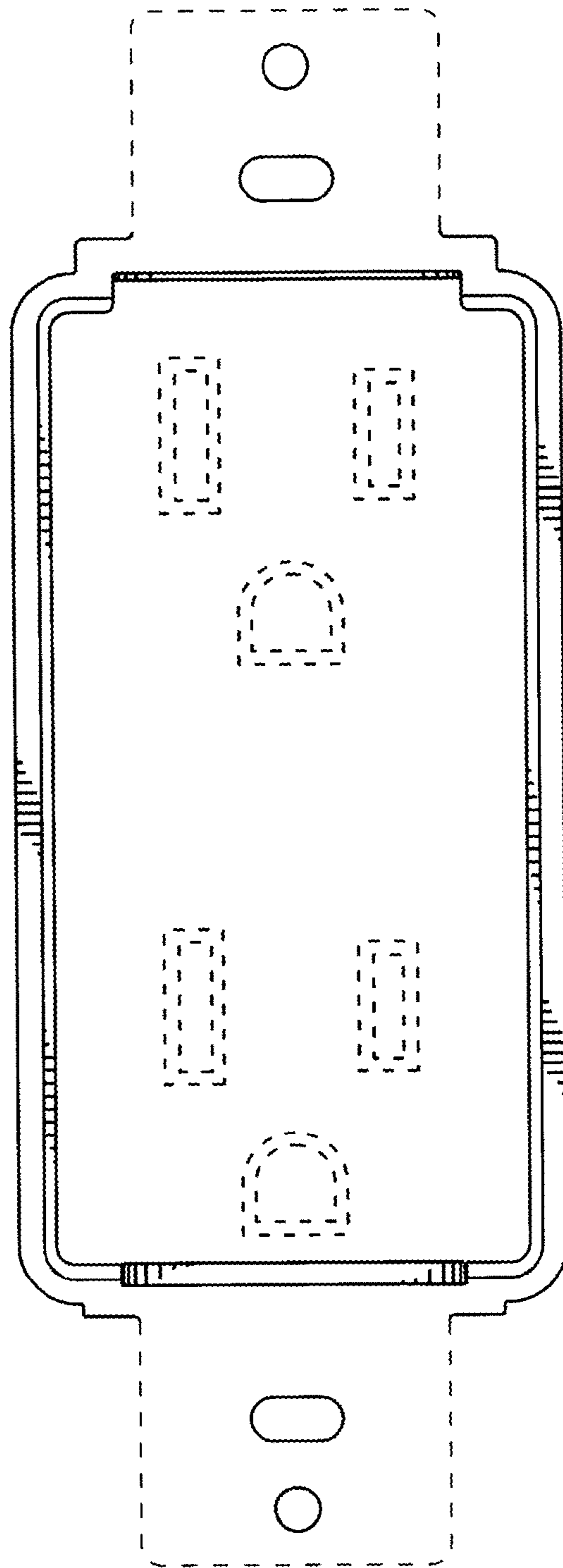


FIG. 4

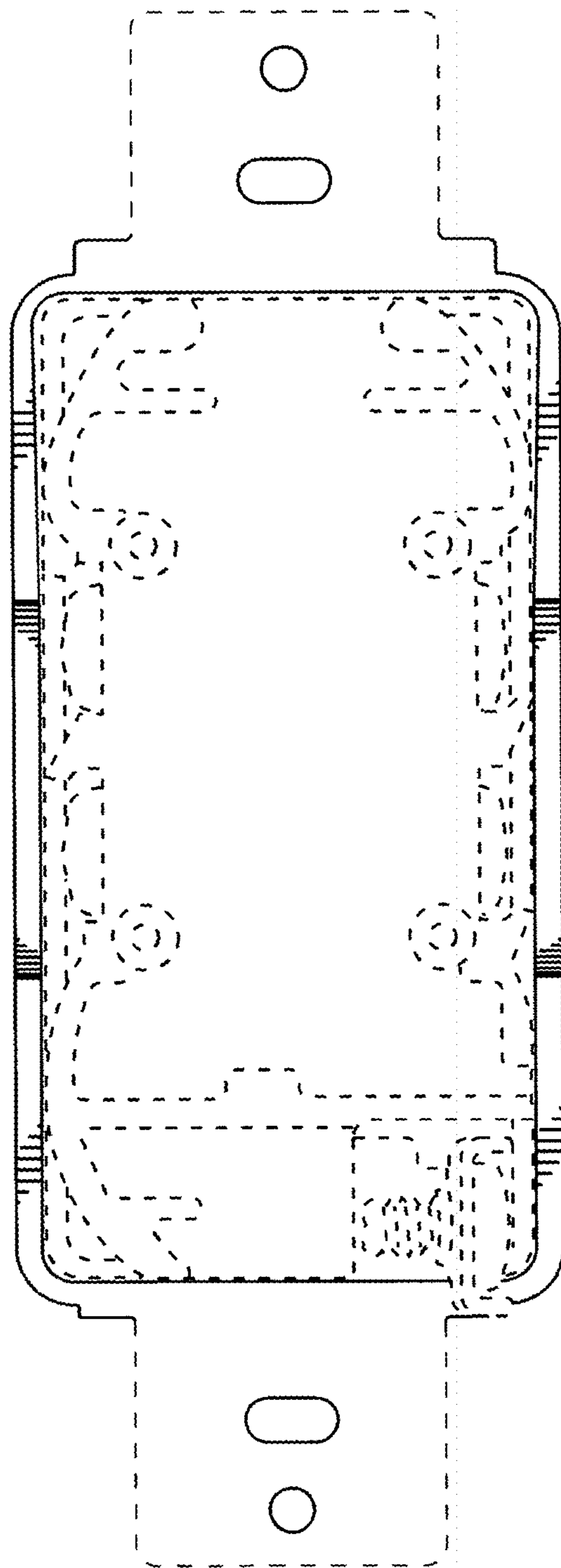


FIG. 5

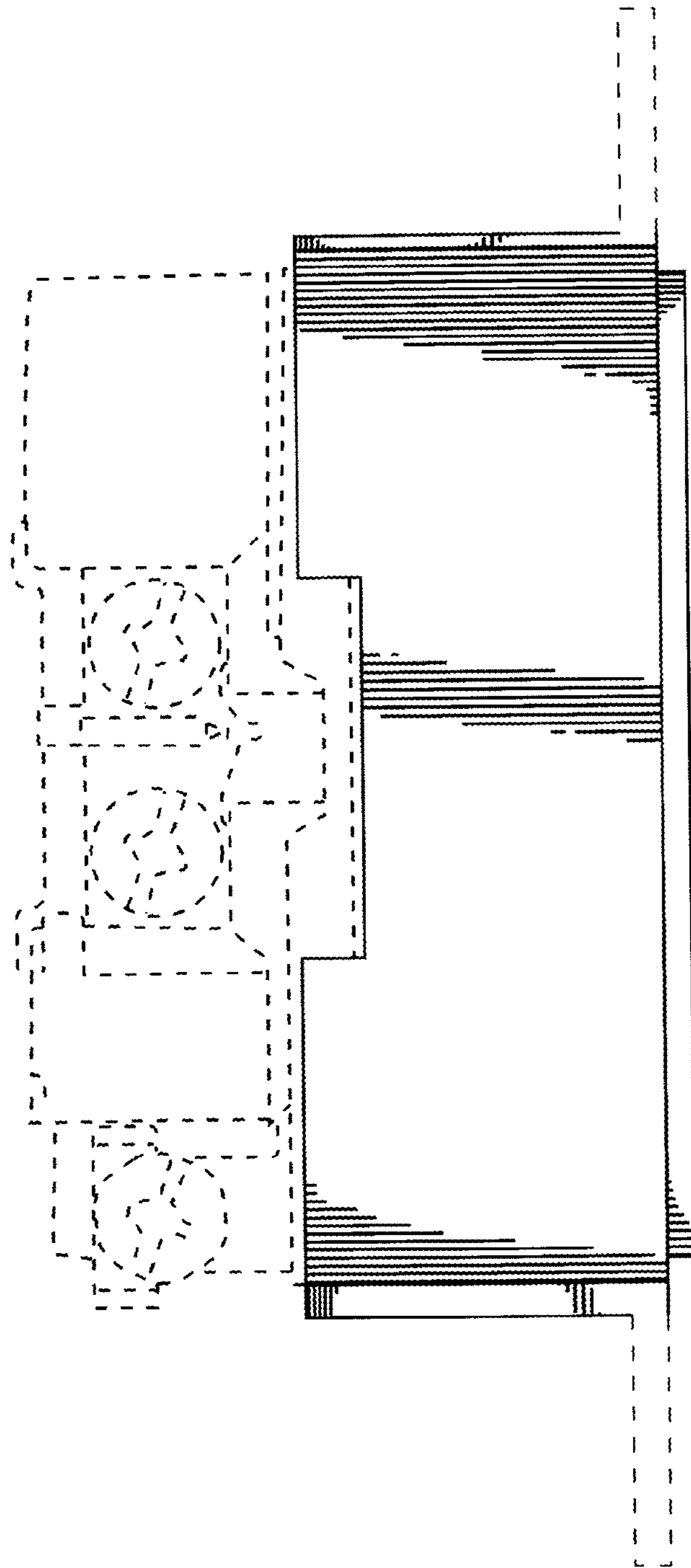


FIG. 6

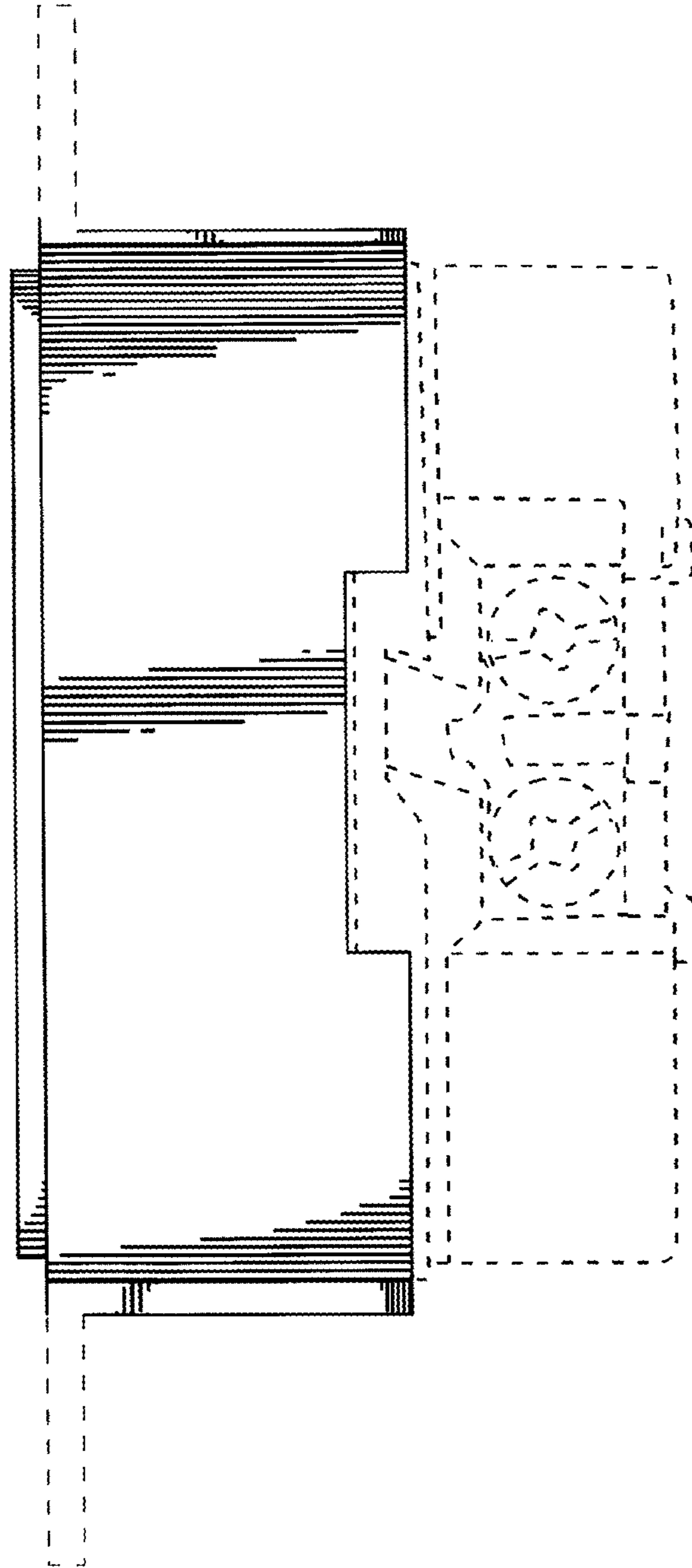


FIG. 7

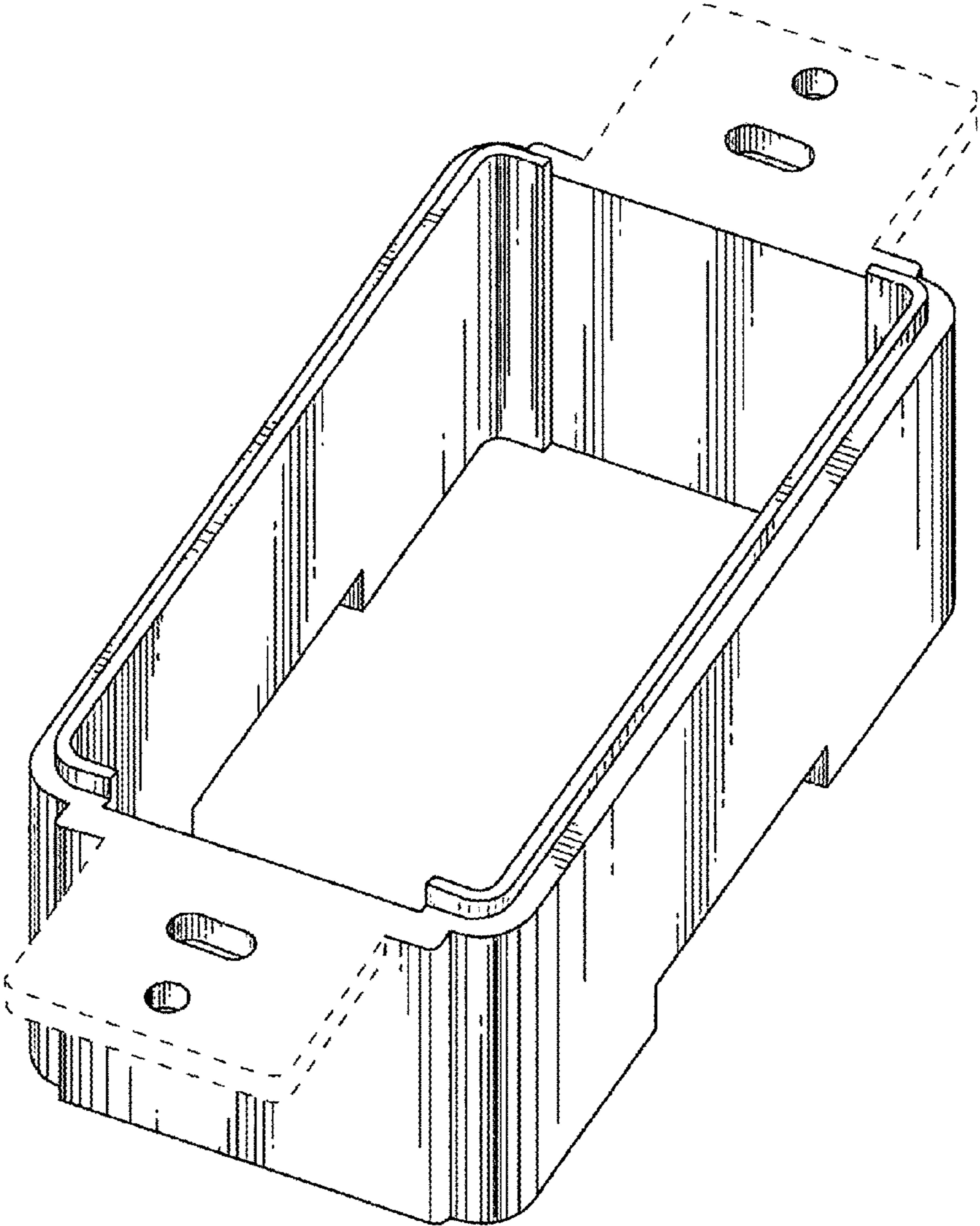


FIG. 8

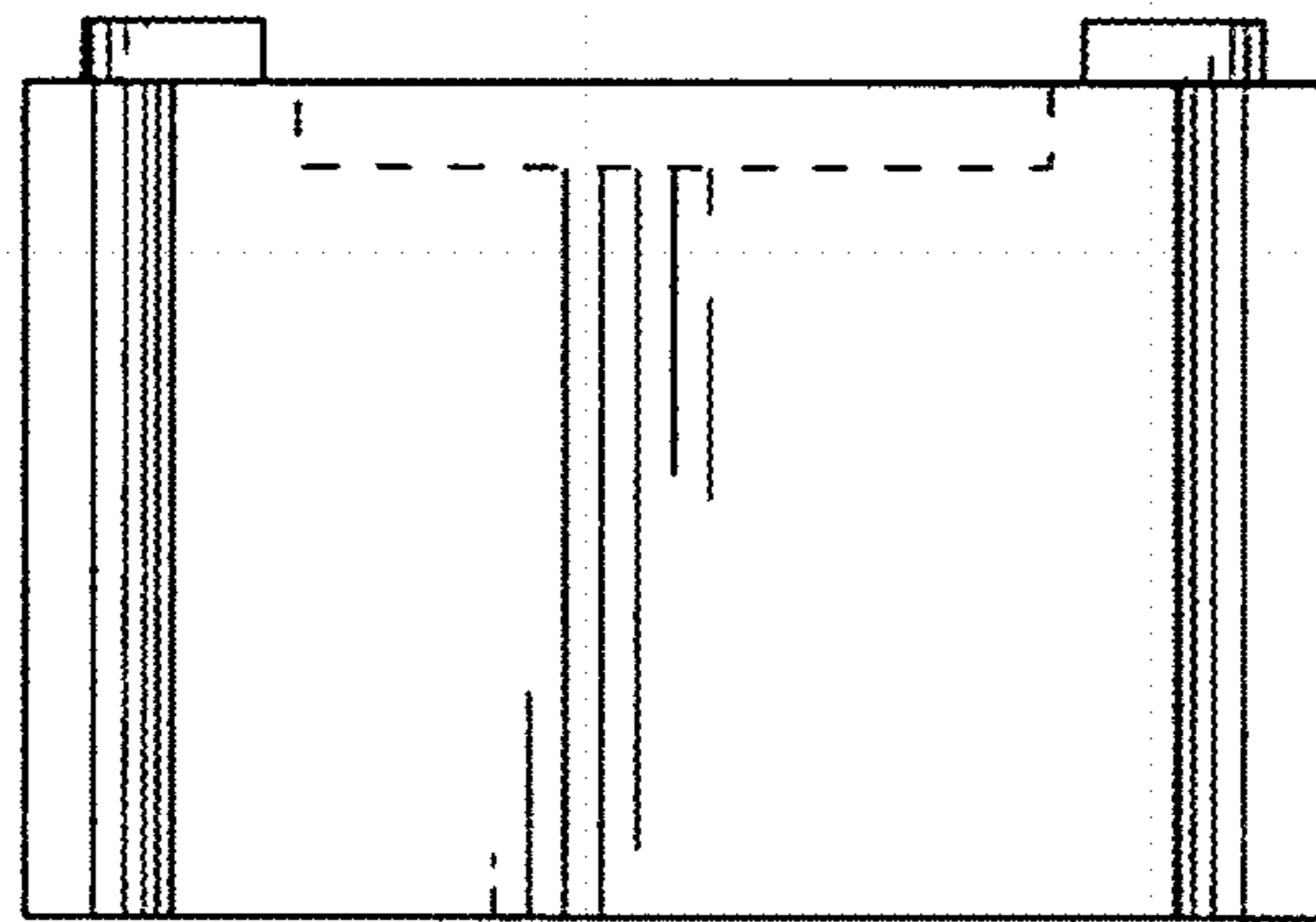


FIG. 9

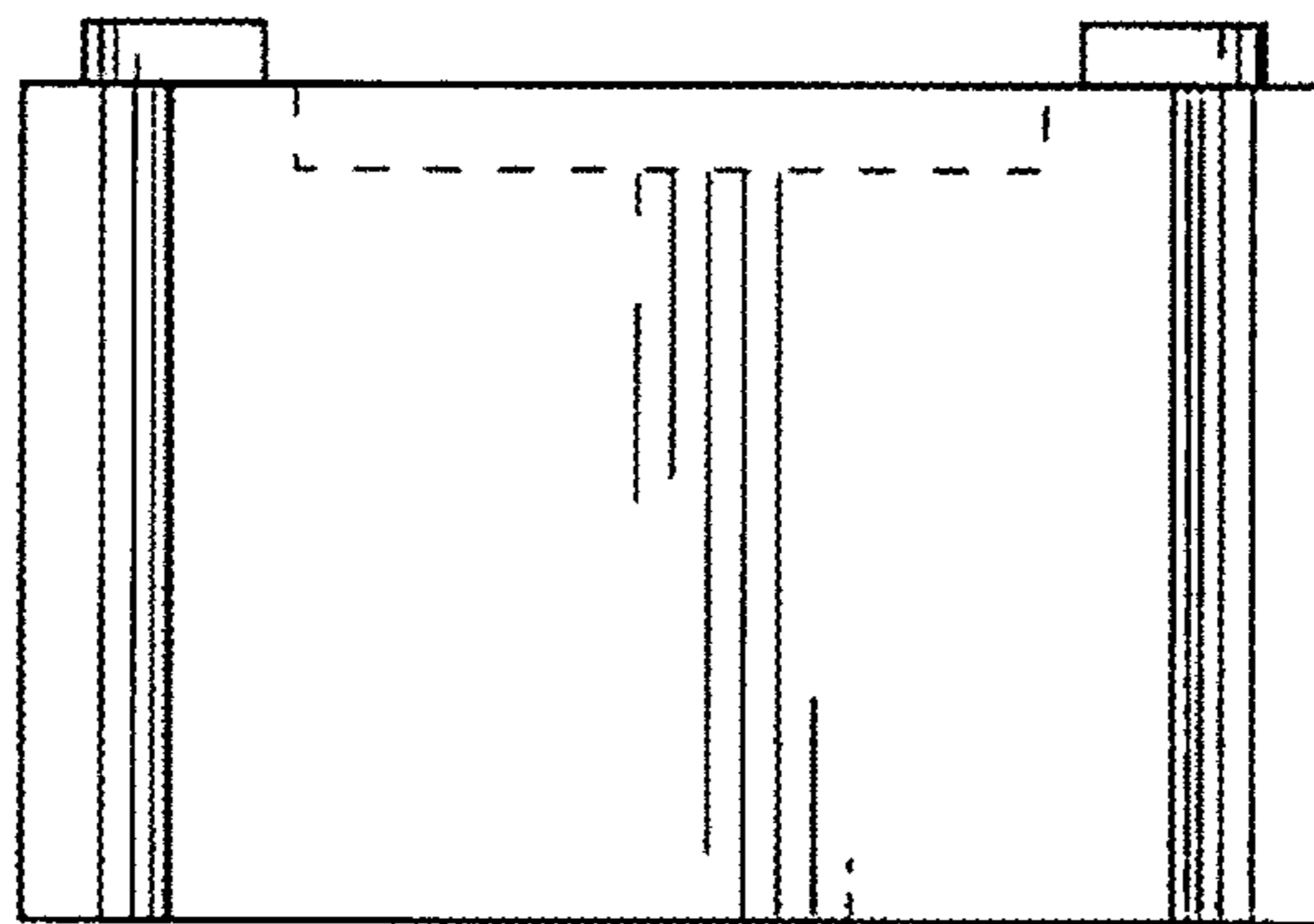


FIG. 10

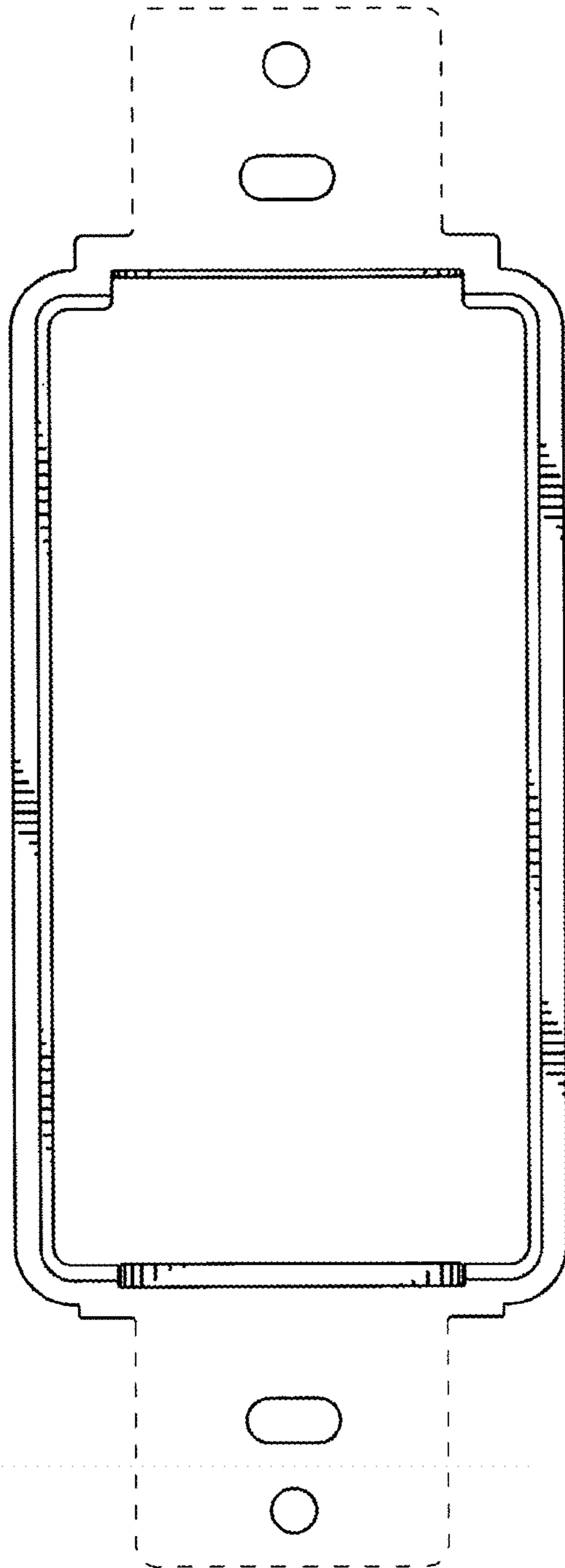


FIG. 11

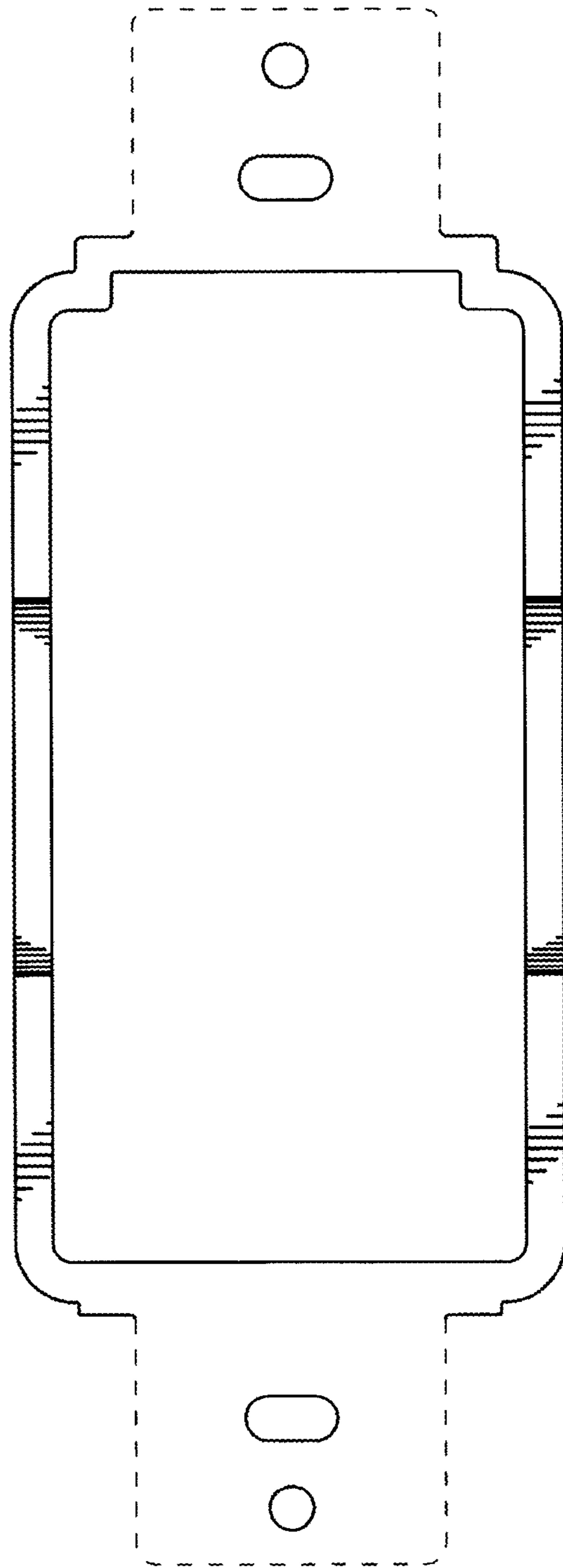


FIG. 12

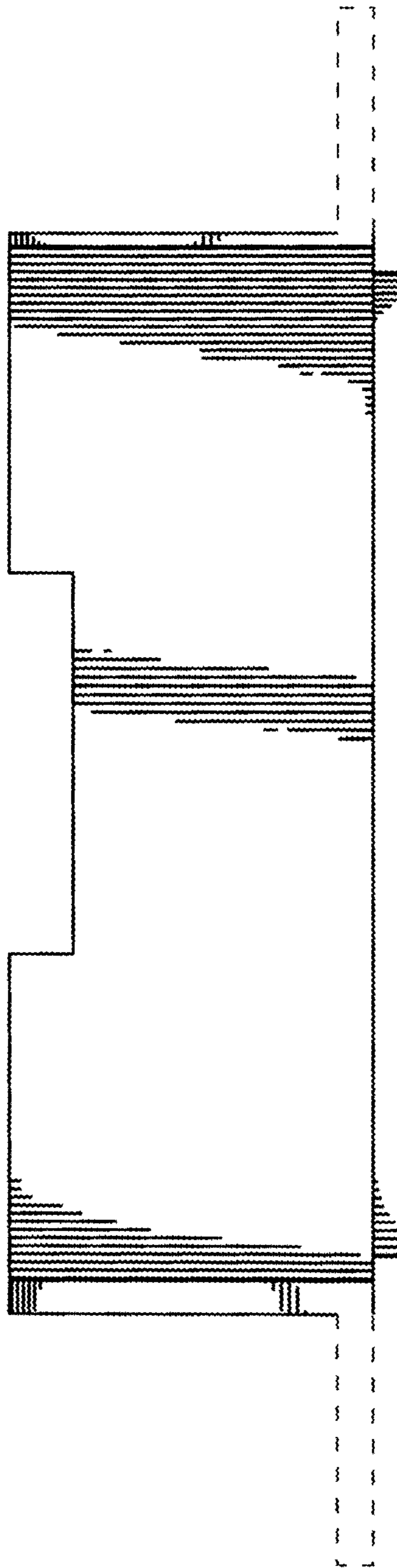


FIG. 13

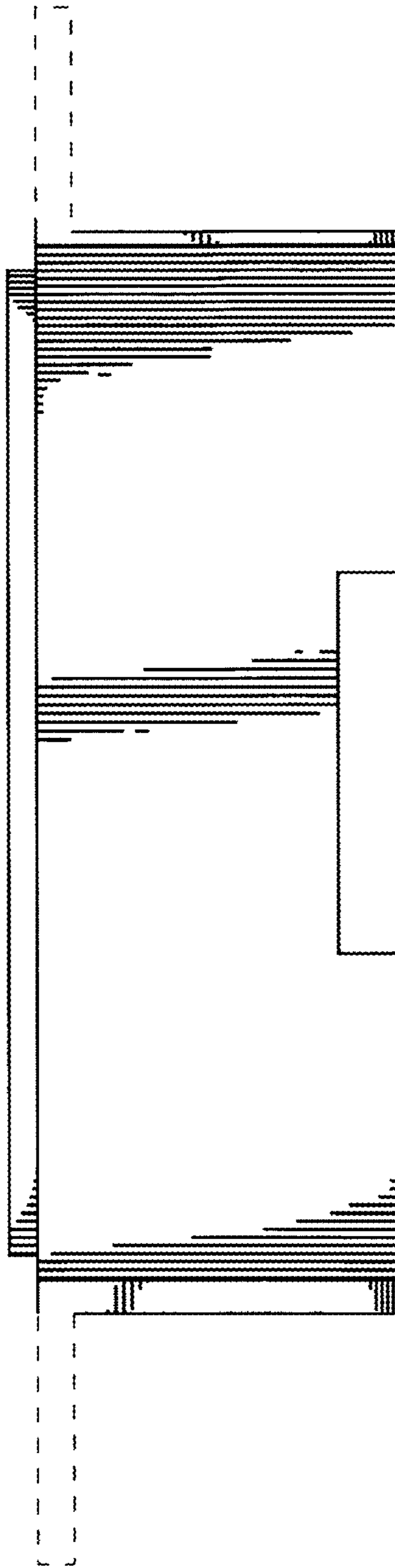


FIG. 14