



US00D763190S

(12) **United States Design Patent**
Akana et al.

(10) **Patent No.:** **US D763,190 S**

(45) **Date of Patent:** **** Aug. 9, 2016**

(54) **POWER MODULE**

(71) Applicant: **Apple Inc.**, Cupertino, CA (US)

(72) Inventors: **Jody Akana**, San Francisco, CA (US);
Bartley K. Andre, Palo Alto, CA (US);
Shota Aoyagi, San Francisco, CA (US);
Jeremy Bataillou, San Francisco, CA (US);
Daniel J. Coster, San Francisco, CA (US);
Daniele De Iuliis, San Francisco, CA (US);
M. Evans Hankey, San Francisco, CA (US);
Julian Hoenig, San Francisco, CA (US);
Richard P. Howarth, San Francisco, CA (US);
Jonathan P. Ive, San Francisco, CA (US);
Duncan Robert Kerr, San Francisco, CA (US);
Matthew Dean Rohrbach, San Francisco, CA (US);
Peter Russell-Clarke, San Francisco, CA (US);
Mikael Silvanto, San Francisco, CA (US);
Christopher J. Stringer, Woodside, CA (US);
Eugene Antony Whang, San Francisco, CA (US);
Rico Zörkendörfer, San Francisco, CA (US)

(73) Assignee: **Apple Inc.**, Cupertino, CA (US)

(**) Term: **15 Years**

(21) Appl. No.: **29/542,086**

(22) Filed: **Oct. 9, 2015**

Related U.S. Application Data

(63) Continuation of application No. 29/500,454, filed on Aug. 25, 2014, now Pat. No. Des. 740,751, which is a continuation of application No. 29/431,871, filed on Sep. 11, 2012, now Pat. No. Des. 711,823.

(51) **LOC (10) Cl.** **13-02**

(52) **U.S. Cl.**
USPC **D13/110**

(58) **Field of Classification Search**

USPC D13/110, 107, 108, 123, 133, 137.1,
D13/138.1, 199; 174/53, 54, 59, 61;
307/150, 151; 320/111, 114; 363/132,
363/140, 142, 143, 146; 439/105, 131, 166,
439/171-173, 218, 518, 692, 956;
D14/240, 251, 253, 432, 433, 434
CPC H02J 7/02; H02J 7/022; H02J 7/0042;
H01R 25/00; H01R 25/003; H01R 13/44;
H01R 27/00; Y02E 60/12
See application file for complete search history.

(56) **References Cited**

U.S. PATENT DOCUMENTS

D138,086 S 6/1944 Ludwig
D375,080 S 10/1996 Sandor et al.
5,613,863 A 3/1997 Klaus et al.

(Continued)

Primary Examiner — Derrick Holland

(74) *Attorney, Agent, or Firm* — Sterne, Kessler, Goldstein & Fox P.L.L.C.

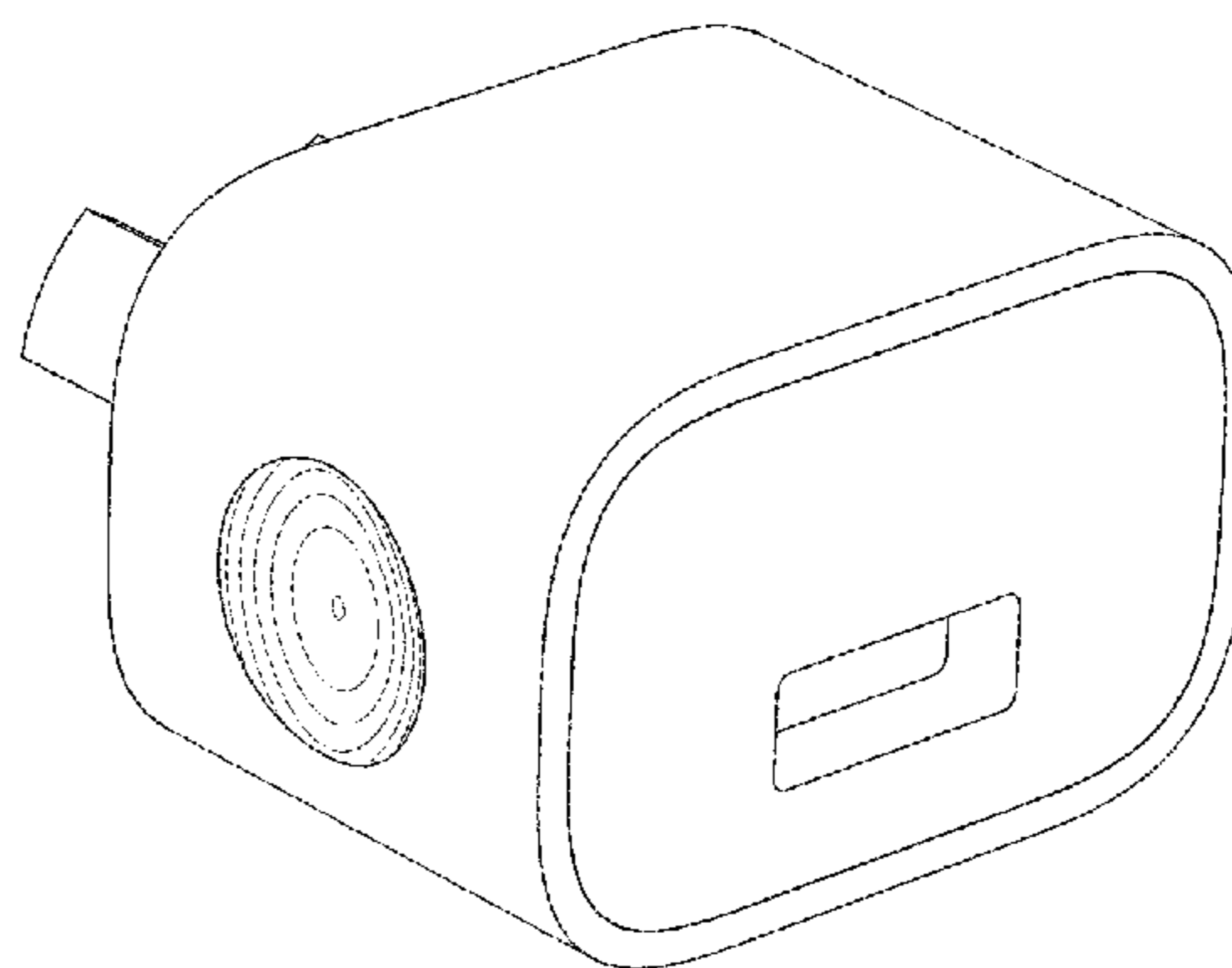
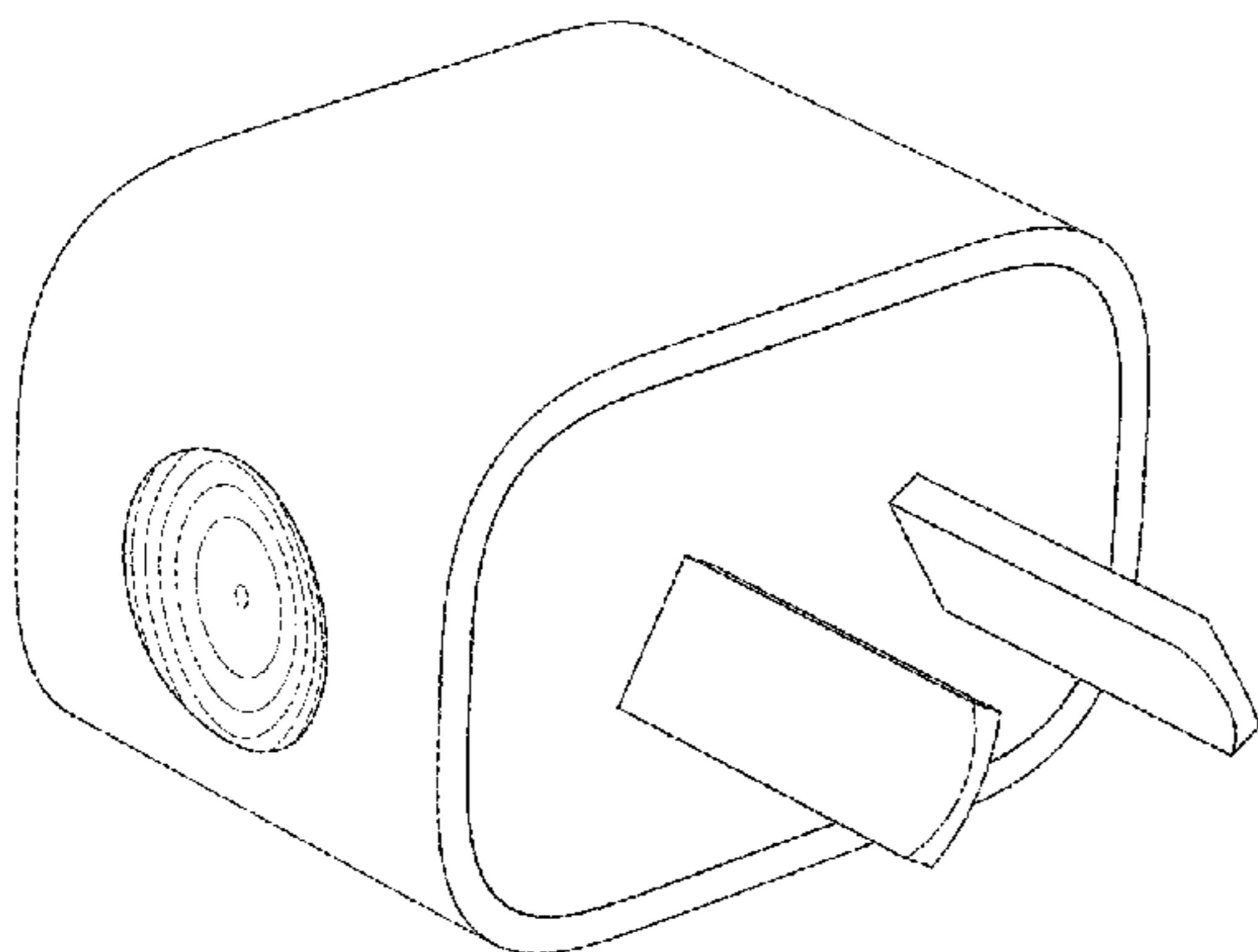
(57) **CLAIM**

The ornamental design for a power module, as shown and described.

DESCRIPTION

FIG. 1 is a bottom perspective view of a power module showing our new design;
FIG. 2 is a top perspective view thereof;
FIG. 3 is a front view thereof, the rear view being a mirror image thereof;
FIG. 4 is a side view thereof;
FIG. 5 is another side view thereof;
FIG. 6 is a top view thereof; and,
FIG. 7 is a bottom view thereof.
The shade lines in the figures show contour and not surface ornamentation.

1 Claim, 4 Drawing Sheets



(56)

References Cited

U.S. PATENT DOCUMENTS

D407,066 S	3/1999	Renk		D611,409 S	3/2010	Green et al.	
6,544,051 B1	4/2003	Su		D623,136 S	9/2010	Andre et al.	
D548,187 S *	8/2007	Holland D13/138.1	D627,729 S	11/2010	Smith et al.	
7,371,122 B2 *	5/2008	Ivanova H01R 9/2408 439/652	D634,058 S *	3/2011	Peifer D26/113
D572,712 S	7/2008	Ledbetter et al.		D638,357 S	5/2011	Sasada et al.	
D583,316 S	12/2008	Säde et al.		D642,524 S	8/2011	Fitch et al.	
D587,192 S	2/2009	McGinley et al.		D643,807 S	8/2011	Jiang	
D595,223 S	6/2009	Yamamoto et al.		8,057,265 B2	11/2011	Youssefi-Shams et al.	
D595,224 S	6/2009	Seil et al.		D653,615 S	2/2012	Au	
D601,500 S	10/2009	Green et al.		8,113,855 B2	2/2012	Green et al.	
D601,501 S	10/2009	Kaibara et al.		D655,244 S	3/2012	Au	
D602,430 S	10/2009	Green et al.		D683,314 S	5/2013	Andre et al.	
				D711,823 S	8/2014	Akana et al.	
				D740,751 S	10/2015	Akana et al.	
				2009/0289596 A1	11/2009	McGinley et al.	
				2010/0117597 A1	5/2010	Wang	

* cited by examiner

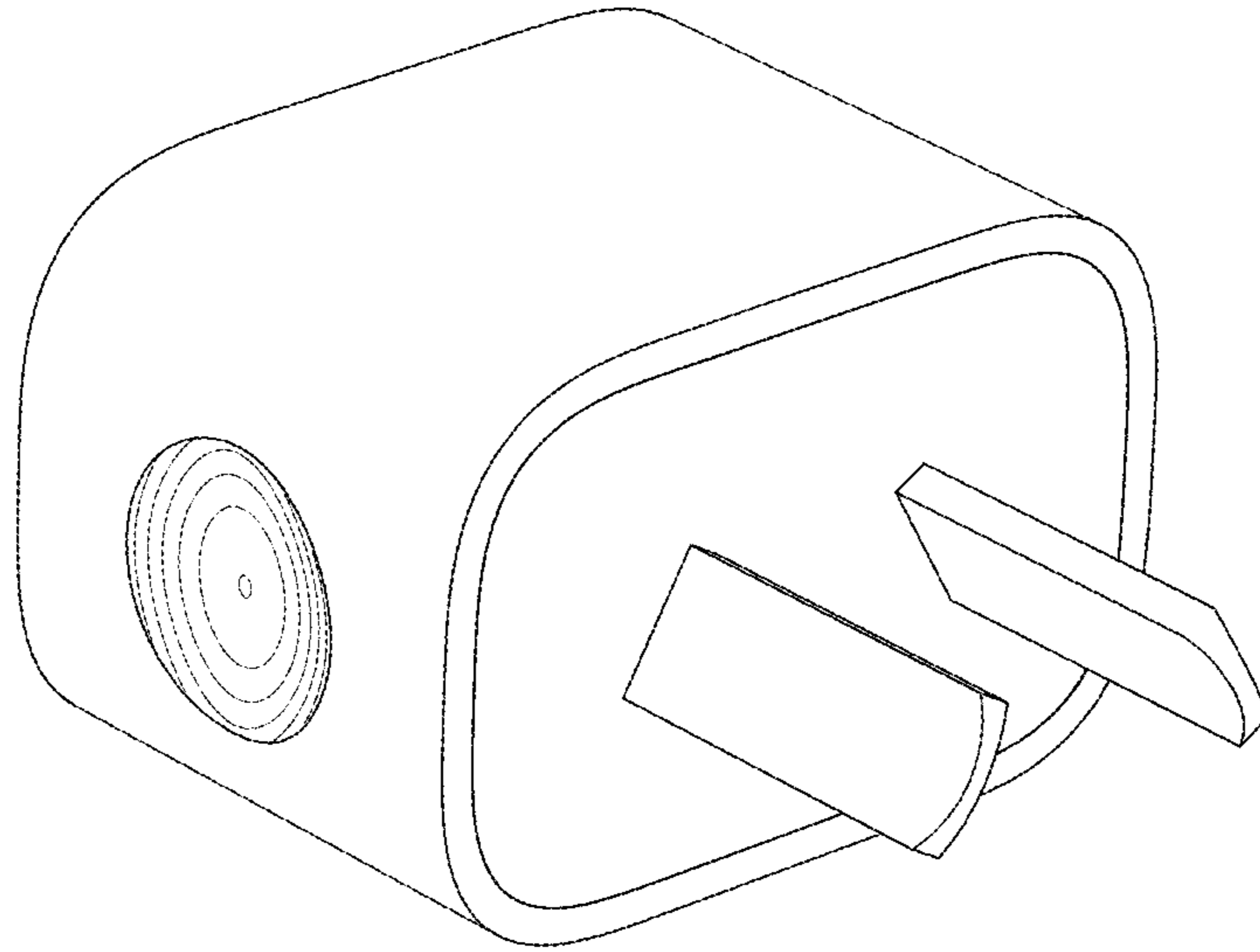


FIG. 1

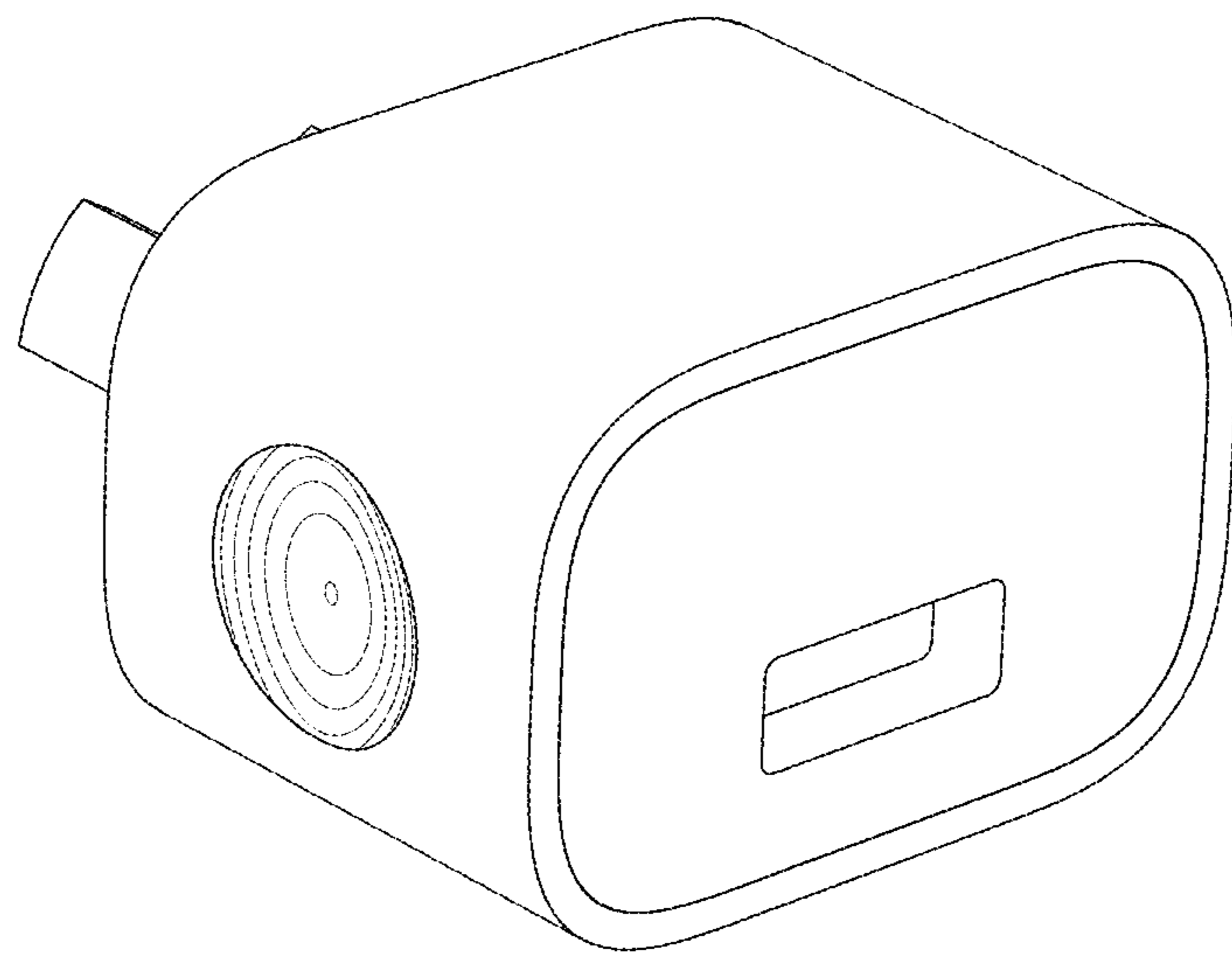


FIG. 2

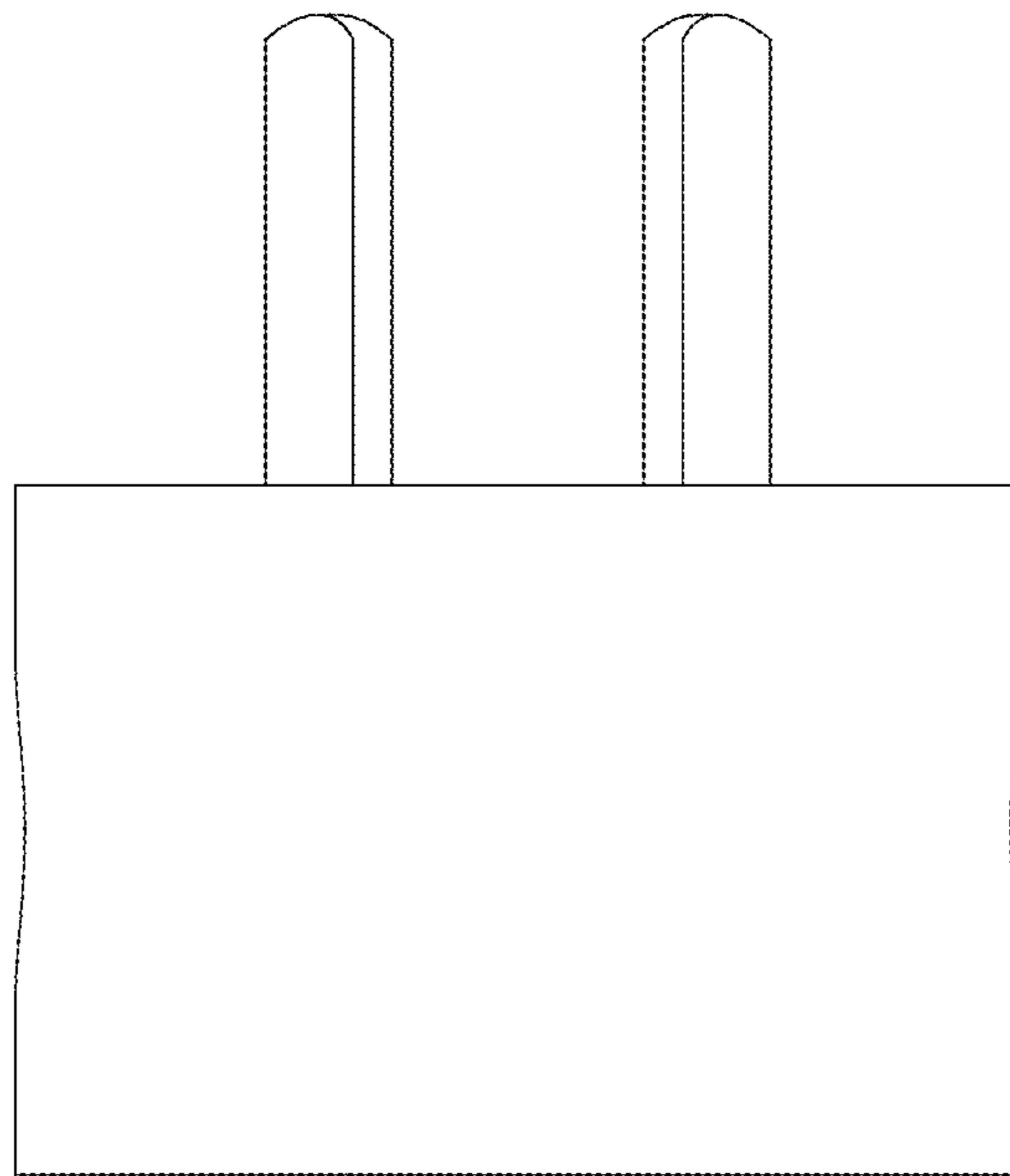


FIG. 3

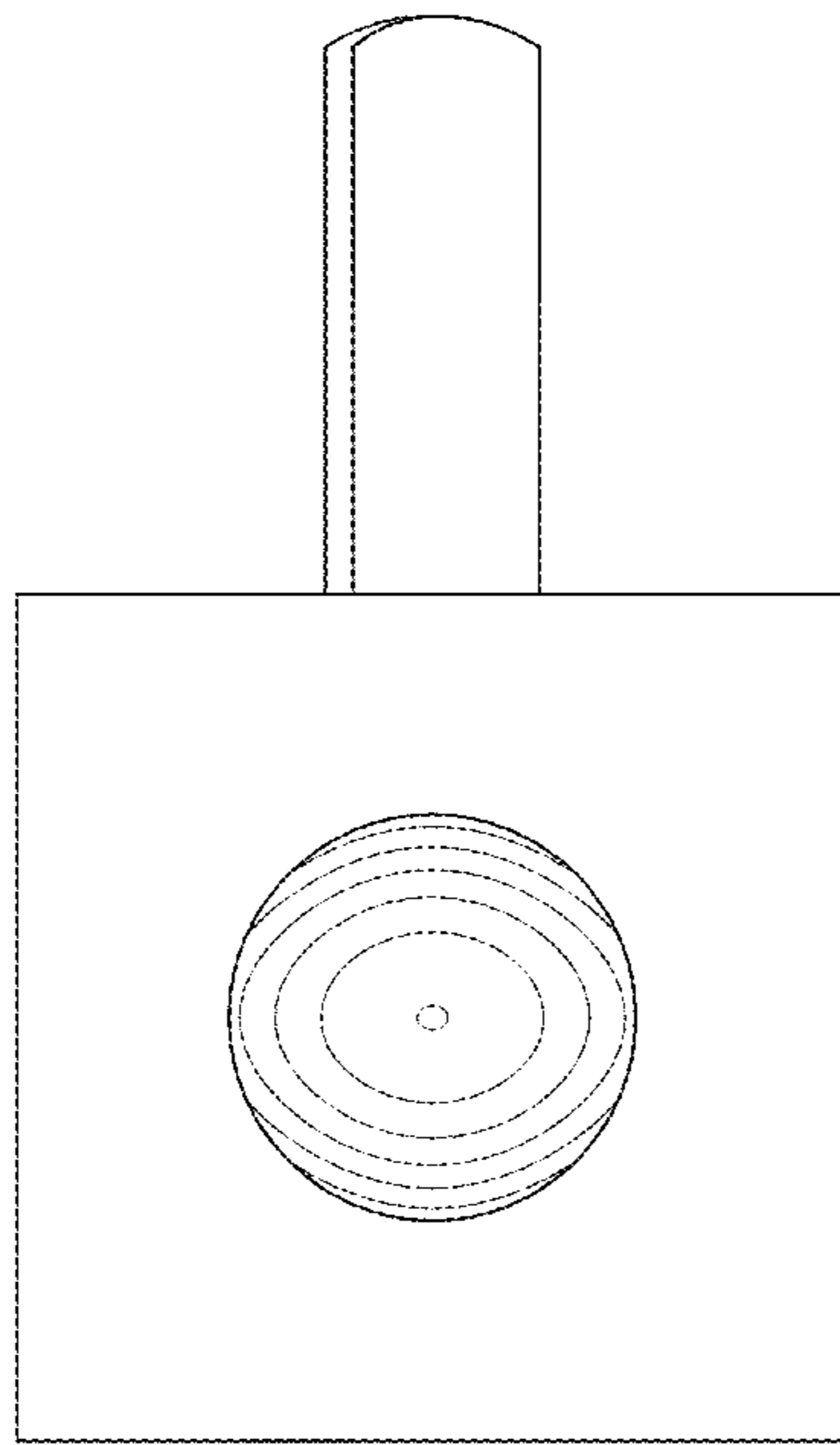


FIG. 4

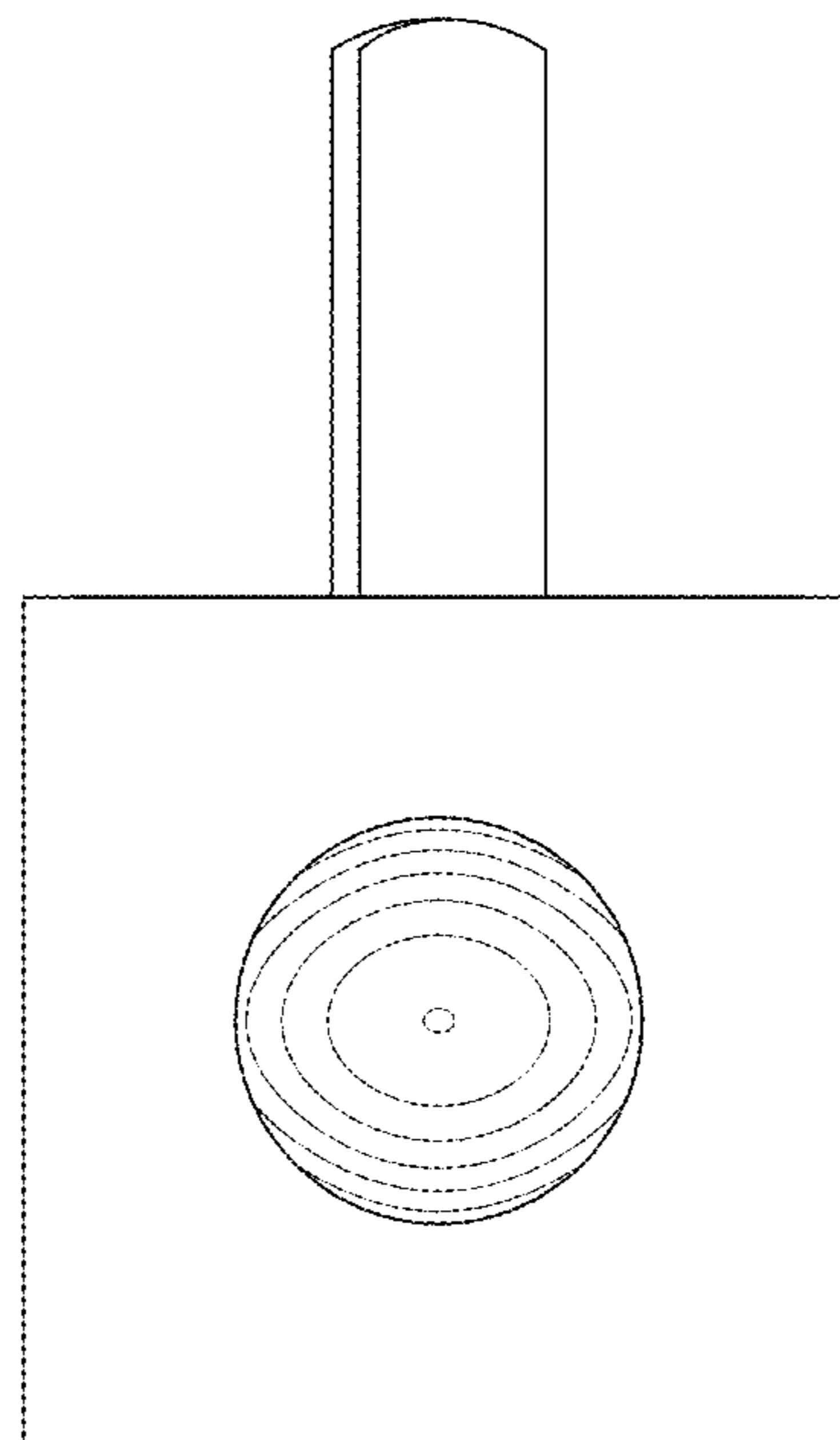


FIG. 5

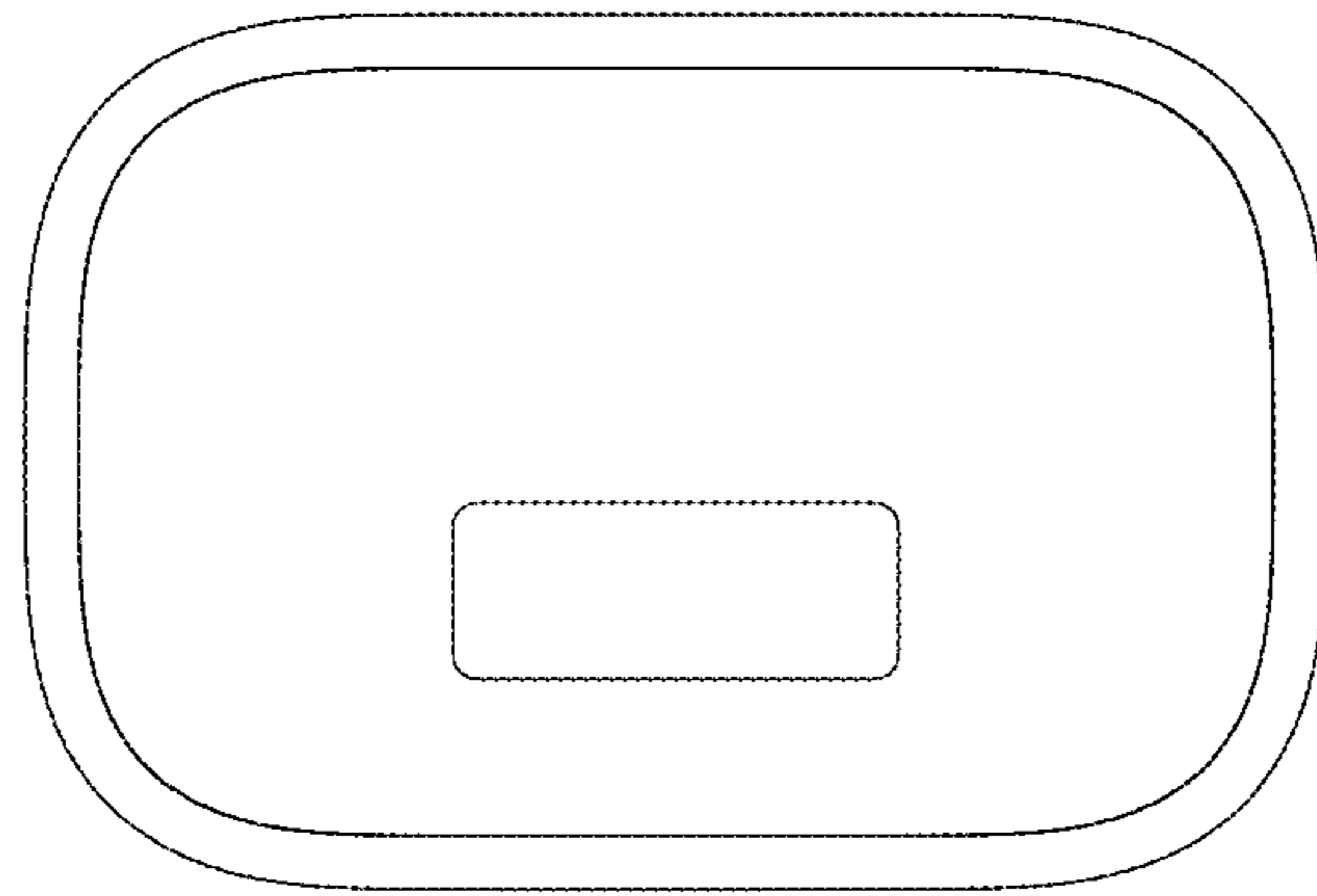


FIG. 6

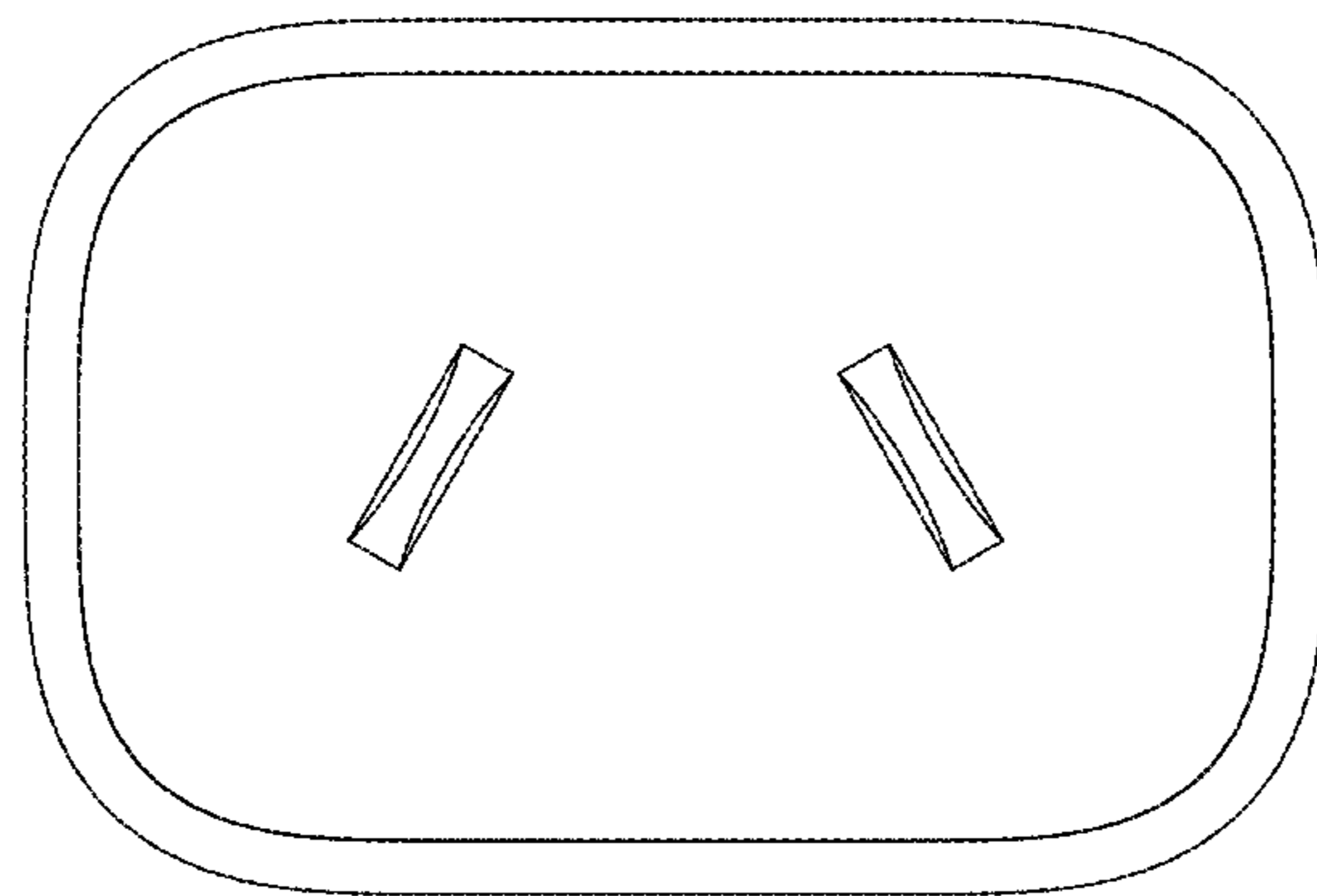


FIG. 7