

US00D763186S

(12) **United States Design Patent**  
**Breitenbach et al.**

(10) **Patent No.:** **US D763,186 S**  
(45) **Date of Patent:** **\*\* Aug. 9, 2016**

(54) **BATTERY PACK**

(71) Applicant: **Robert Bosch GmbH**, Stuttgart (DE)  
(72) Inventors: **Jan Breitenbach**, Stuttgart (DE);  
**Marcin Rejman**, Wailblingen (DE);  
**Vincent Hasenmayer**, Stuttgart (DE);  
**Isan Fidan**, Esslingen (DE); **Christoph**  
**Albiez**, Esslingen (DE); **Zoran Tasic**,  
Esslingen (DE)

(73) Assignee: **Robert Bosch GmbH**, Stuttgart (DE)

(\*\*) Term: **14 Years**

(21) Appl. No.: **29/502,187**

(22) Filed: **Sep. 12, 2014**

(30) **Foreign Application Priority Data**

Mar. 14, 2014 (EM) ..... 002425660

(51) **LOC (10) Cl.** ..... **13-02**

(52) **U.S. Cl.**  
USPC ..... **D13/103**

(58) **Field of Classification Search**  
USPC ..... D13/102, 103, 104, 105, 106, 107, 108,  
D13/110, 118, 119, 120, 121, 162, 164, 184,  
D13/199; D14/240, 496; 174/17 R, 50, 51,  
174/52, 52.1, 58; 220/3.3, 3.8, 3.92;  
312/100, 263, 292, 293.1, 293.2,  
312/293.3, 294; 361/600, 601, 622, 679,  
361/686, 720, 724, 728, 748, 752, 796,  
361/419; 429/7, 90, 96, 97, 98, 99, 100,  
429/163, 176; 320/108  
CPC ..... H01M 2/1022; H01M 2220/30  
See application file for complete search history.

(56) **References Cited**

U.S. PATENT DOCUMENTS

D436,917 S \* 1/2001 Hayakawa et al. .... D13/103  
D463,359 S \* 9/2002 Nawrozki ..... D13/107

(Continued)

FOREIGN PATENT DOCUMENTS

EM 002674523-0001 \* 4/2015  
EM 002674523-0003 \* 4/2015

OTHER PUBLICATIONS

“Kobalt 20-Volt 2.0 Amp Hours Lithium Power Tool Battery.”  
Accessed Nov. 10, 2015. Lowe’s. [http://www.lowes.com/pd\\_437530-11241-K20-LB20A\\_0\\_?productId=4777610#img.\\*](http://www.lowes.com/pd_437530-11241-K20-LB20A_0_?productId=4777610#img.*)

(Continued)

*Primary Examiner* — Manpreet Matharu

*Assistant Examiner* — Suzanne Tisdell

(74) *Attorney, Agent, or Firm* — Maginot, Moore & Beck  
LLP

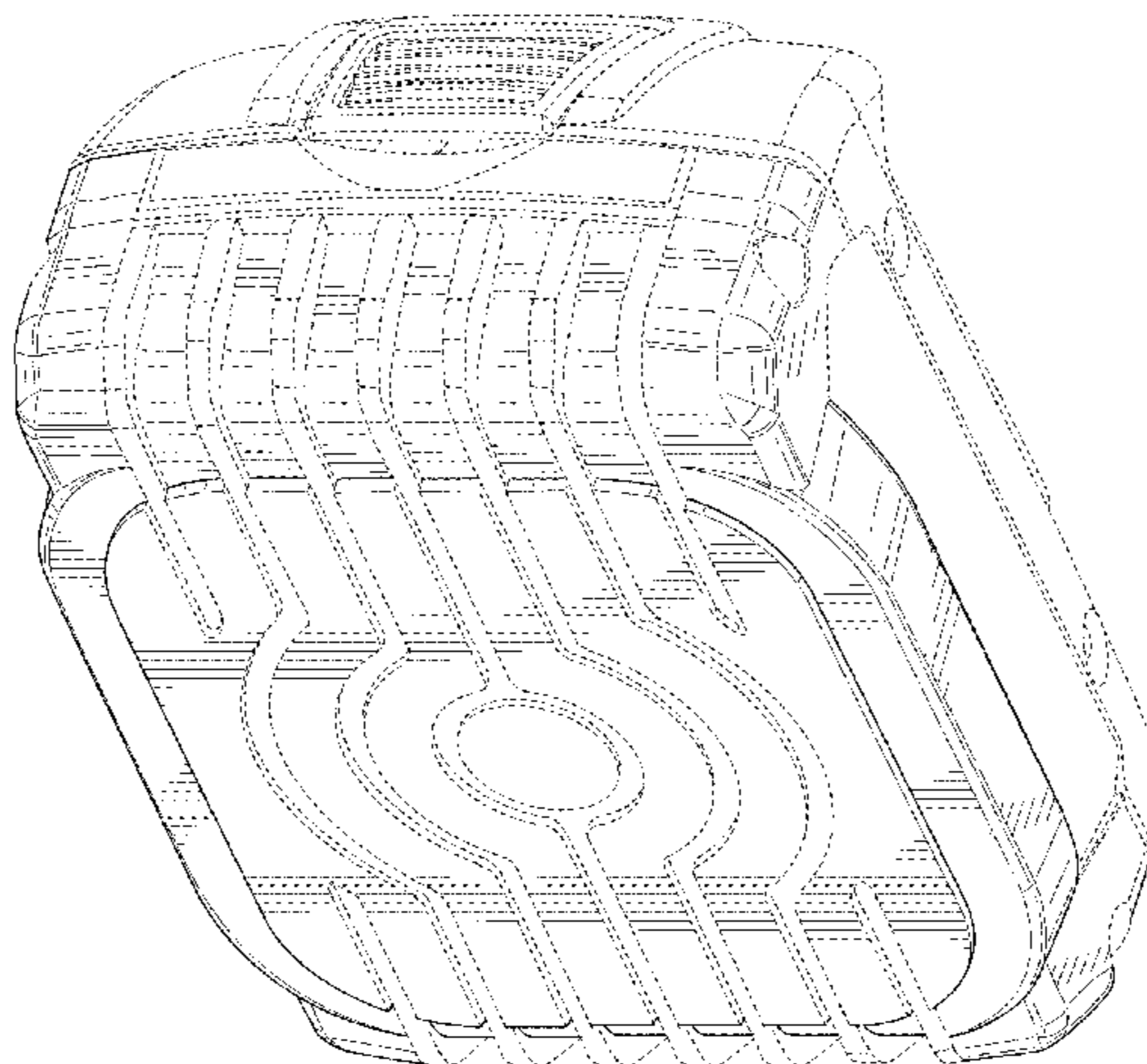
(57) **CLAIM**

The ornamental design for a battery pack, as shown and  
described.

**DESCRIPTION**

FIG. 1 is a perspective view of a battery pack showing our new  
design;  
FIG. 2 is a right side elevational view showing the design for  
the battery pack of FIG. 1;  
FIG. 3 is a left side elevational view showing the design for  
the battery pack of FIG. 1;  
FIG. 4 is a front elevational view showing the design for the  
battery pack of FIG. 1;  
FIG. 5 is a rear elevational view showing the design for the  
battery pack of FIG. 1;  
FIG. 6 is a top elevational view showing the design for the  
battery pack of FIG. 1; and,  
FIG. 7 is a bottom elevational view showing the design for the  
battery pack of FIG. 1.  
The broken line shown in the drawings illustrate portions of  
the battery pack that form no part of the claimed design.

**1 Claim, 7 Drawing Sheets**



(56)

References Cited

U.S. PATENT DOCUMENTS

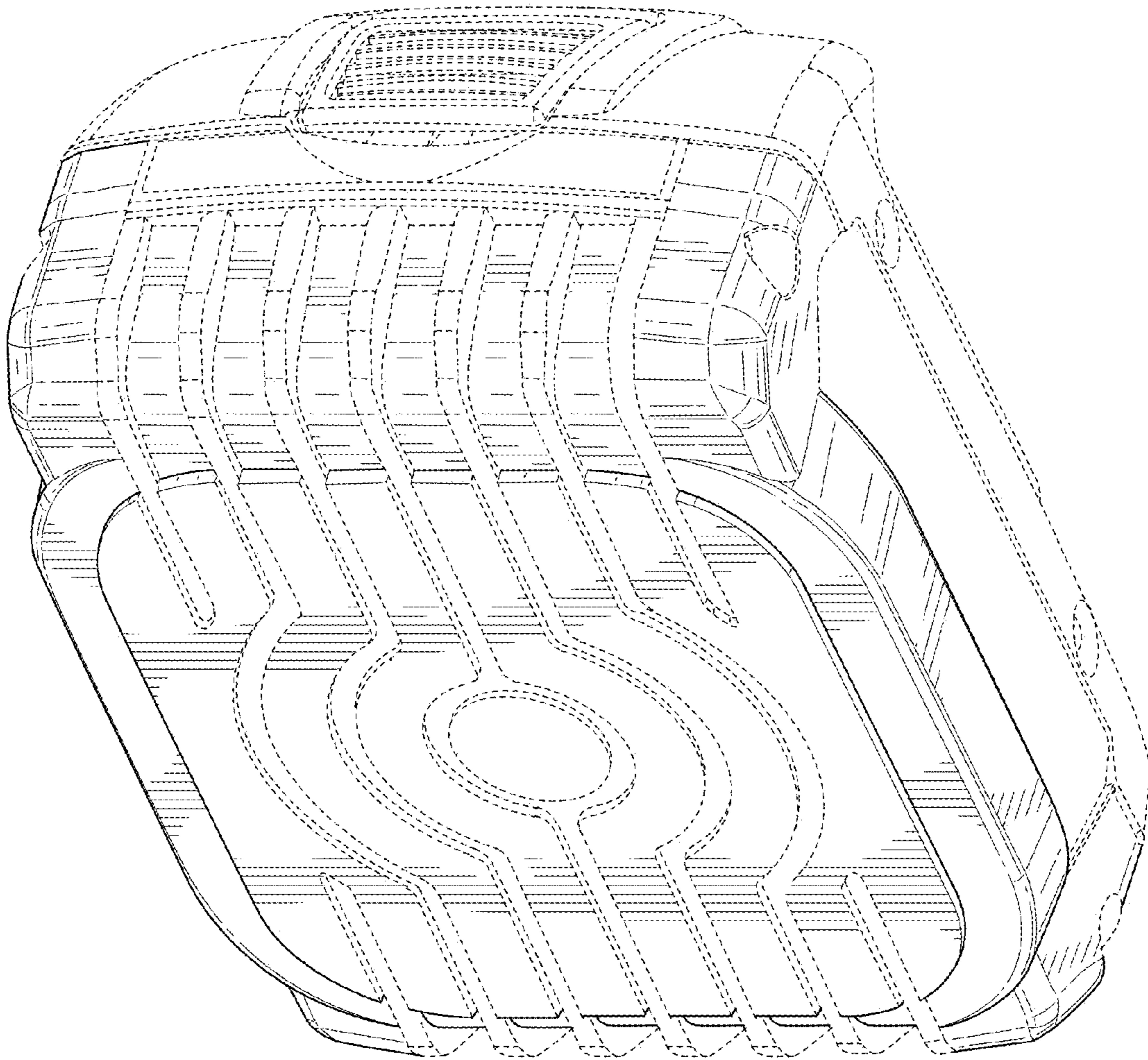
D510,317 S \* 10/2005 Sun ..... D13/103  
 D541,740 S \* 5/2007 Tsai et al ..... D13/108  
 D555,086 S \* 11/2007 Zhang ..... D13/103  
 D558,670 S \* 1/2008 Ritterling et al. .... D13/119  
 D562,227 S \* 2/2008 Yamada et al. .... D13/103  
 D564,444 S \* 3/2008 Johnson et al. .... D13/103  
 D568,239 S \* 5/2008 Okada et al. .... D13/103  
 D588,986 S \* 3/2009 Zhang ..... D13/110  
 D593,944 S \* 6/2009 Smith ..... D13/119  
 D631,446 S \* 1/2011 Lanfear et al. .... D13/162  
 D640,190 S \* 6/2011 Aglassinger ..... D13/103  
 D654,023 S \* 2/2012 Kyle Ching Hao ..... D13/110  
 D662,469 S \* 6/2012 Mulder et al. .... D13/107  
 8,343,643 B2 \* 1/2013 Miller et al. .... 429/71  
 D677,220 S \* 3/2013 Ploss ..... D13/108  
 D682,194 S \* 5/2013 Jiang et al. .... D13/103  
 D686,157 S \* 7/2013 Kawase et al. .... D13/119  
 D692,380 S \* 10/2013 Tirone ..... D13/119  
 D698,312 S \* 1/2014 Miller ..... D13/119  
 D705,721 S \* 5/2014 Huang ..... D13/103  
 D710,794 S \* 8/2014 Busschaert et al. .... D13/103  
 D712,348 S \* 9/2014 Zhang ..... D13/103

D718,705 S \* 12/2014 Naksen ..... D13/103  
 D722,016 S \* 2/2015 Beukema ..... D13/103  
 D722,954 S \* 2/2015 James ..... D13/107  
 8,974,951 B2 \* 3/2015 Park et al. .... 429/159  
 D730,281 S \* 5/2015 Zhang ..... D13/107  
 9,172,115 B2 \* 10/2015 Kolden et al.  
 D742,308 S \* 11/2015 James ..... D13/107  
 2003/0082439 A1 \* 5/2003 Sakakibara ..... 429/120

OTHER PUBLICATIONS

“18V Li-Ion 2.8 Ah Power Tool Battery.” Accessed Nov. 10, 2015. eReplacement Parts. <http://www.ereplacementparts.com/18v-liion-power-tool-battery-p-196105.html>.  
 “Panasonic EY9L41 Li-Ion 14.4V 3.1 AH Battery.” Accessed Nov. 10, 2015. tfortools. <http://www.tfortools.co/panasonic-ey9l41-li-ion-14-4v-3-1ah-battery.html>.  
 Deboer, Clint. “Bosch Power Ready Wireless Charging System Review.” Posted Jan. 29, 2015. Toolreporter.com. <http://www.toolreporter.com/tag/wireless-charging>.  
 Bosch Professional UK. “Bosch Professional Wireless Charging for Cordless Powertools.” Published Jun. 25, 2014. <https://www.youtube.com/watch?v=jxK73xyHCF8>.

\* cited by examiner



**FIG. 1**

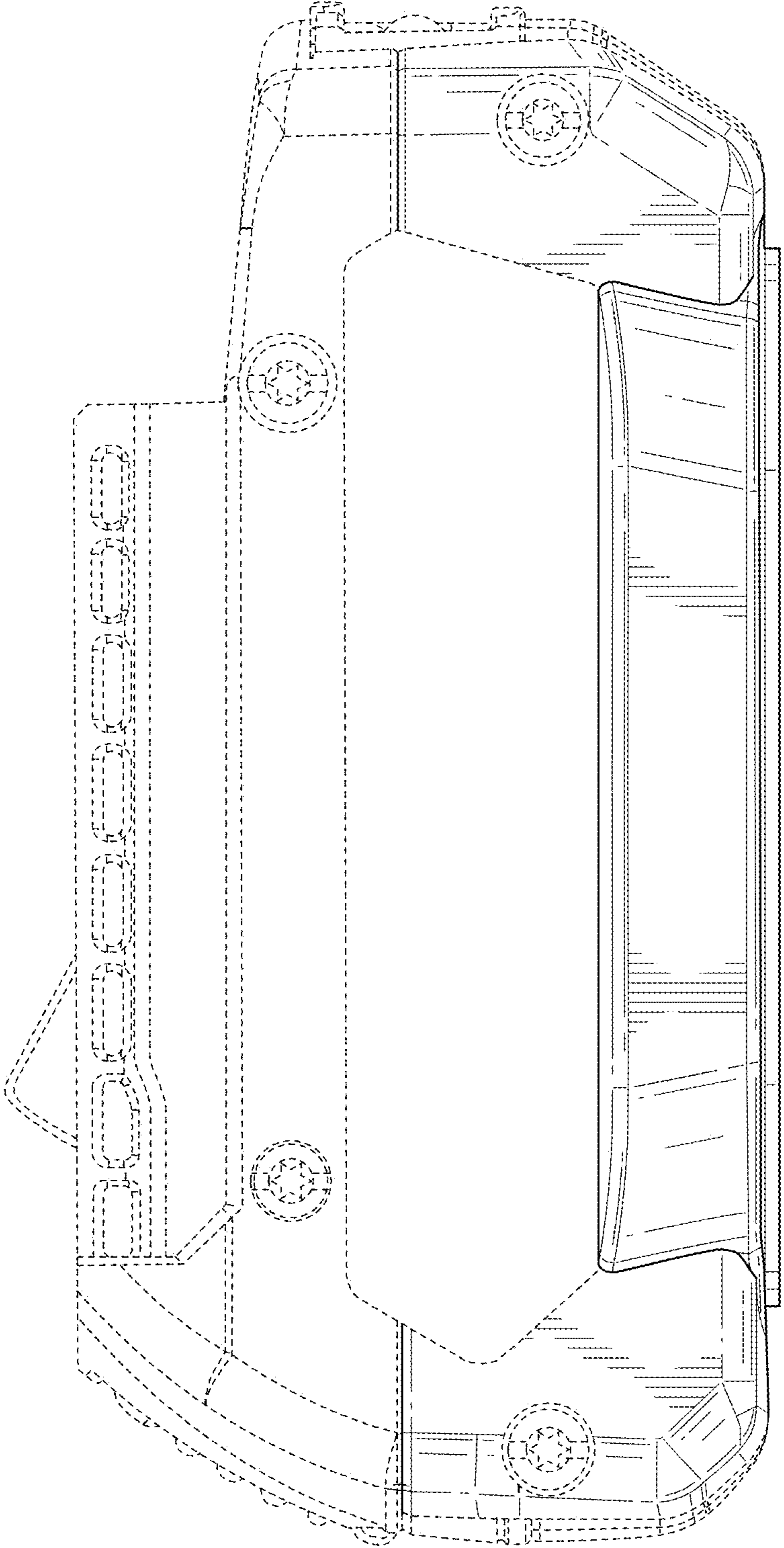


FIG. 2

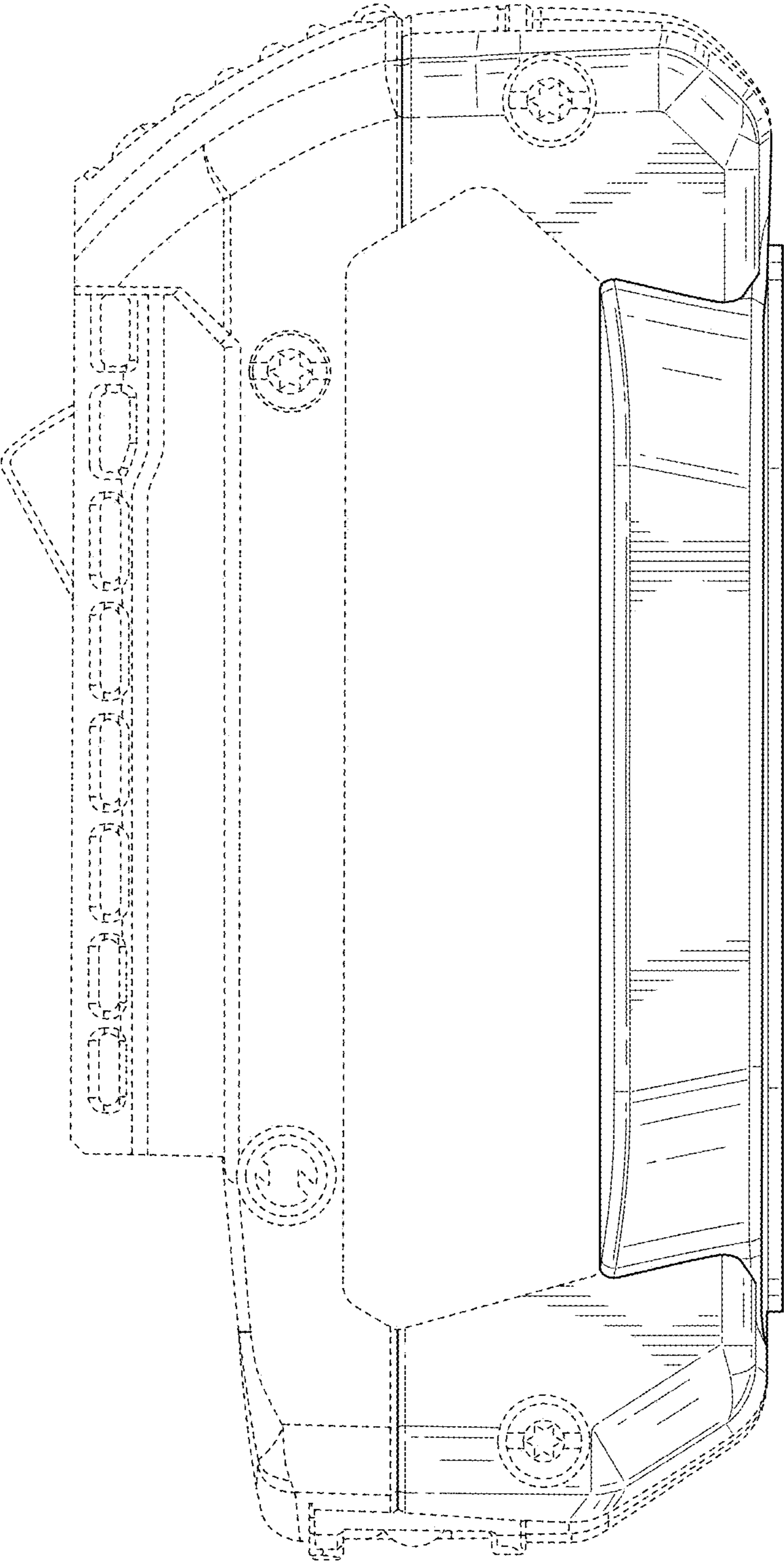


FIG. 3

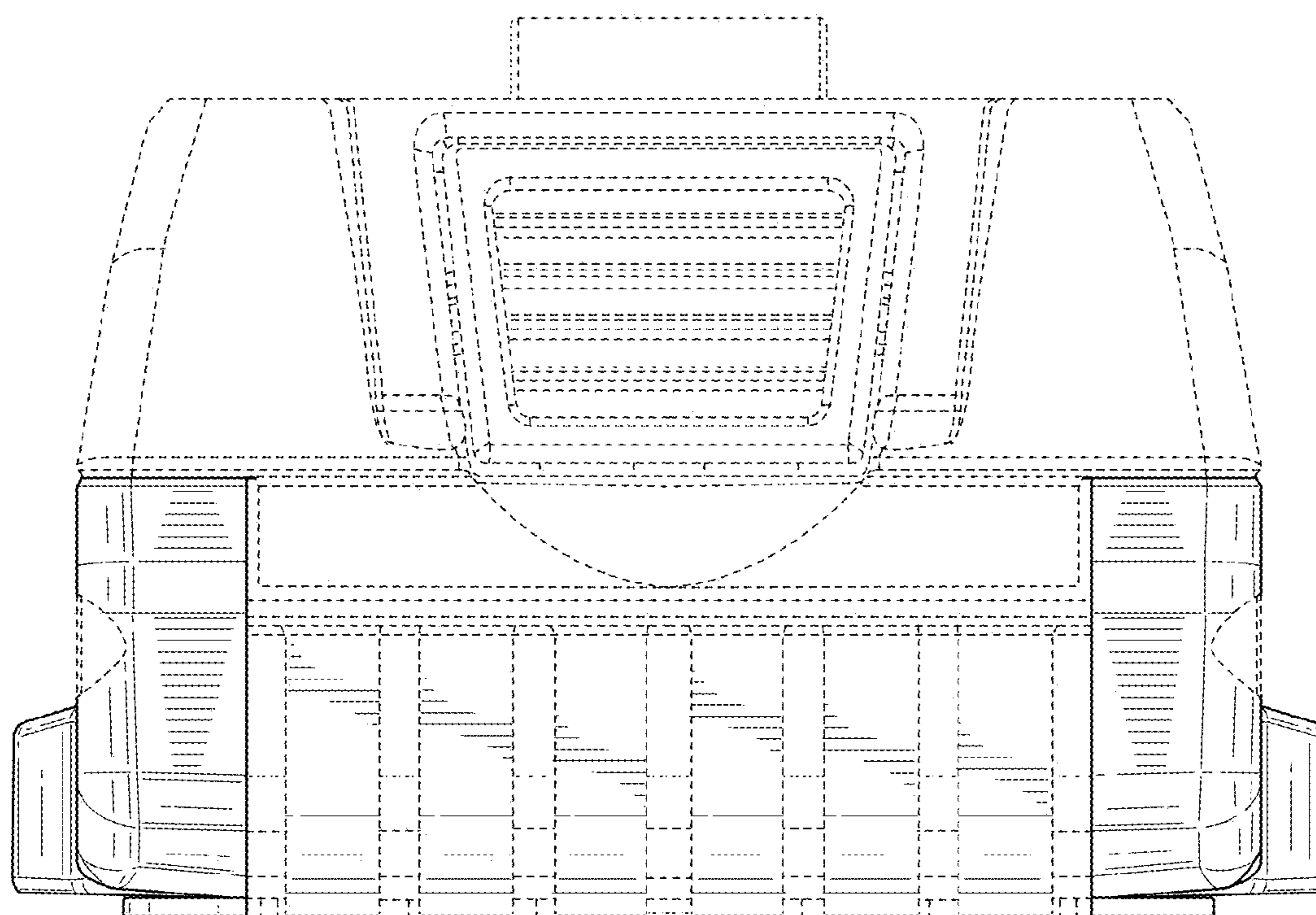


FIG. 4

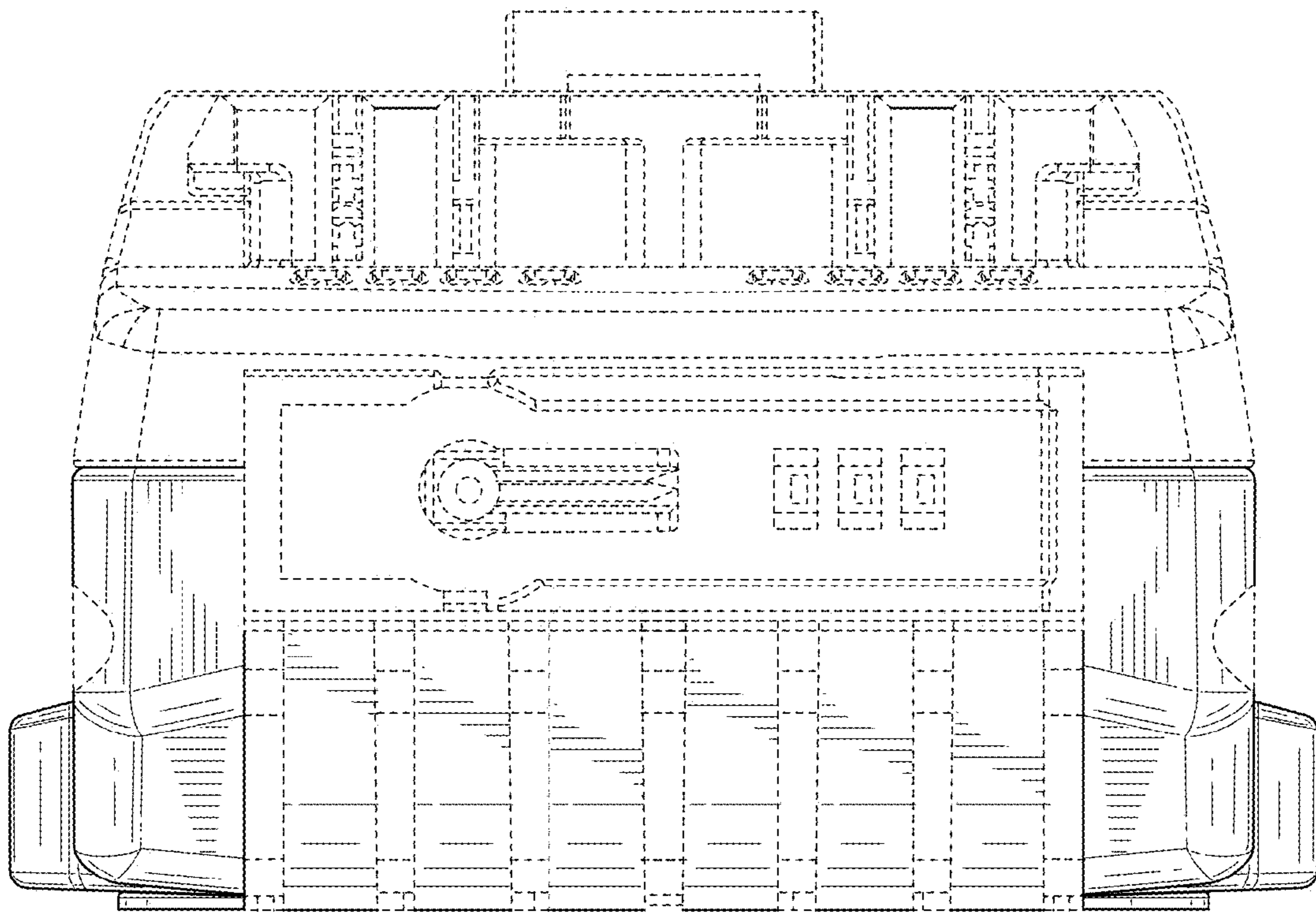


FIG. 5

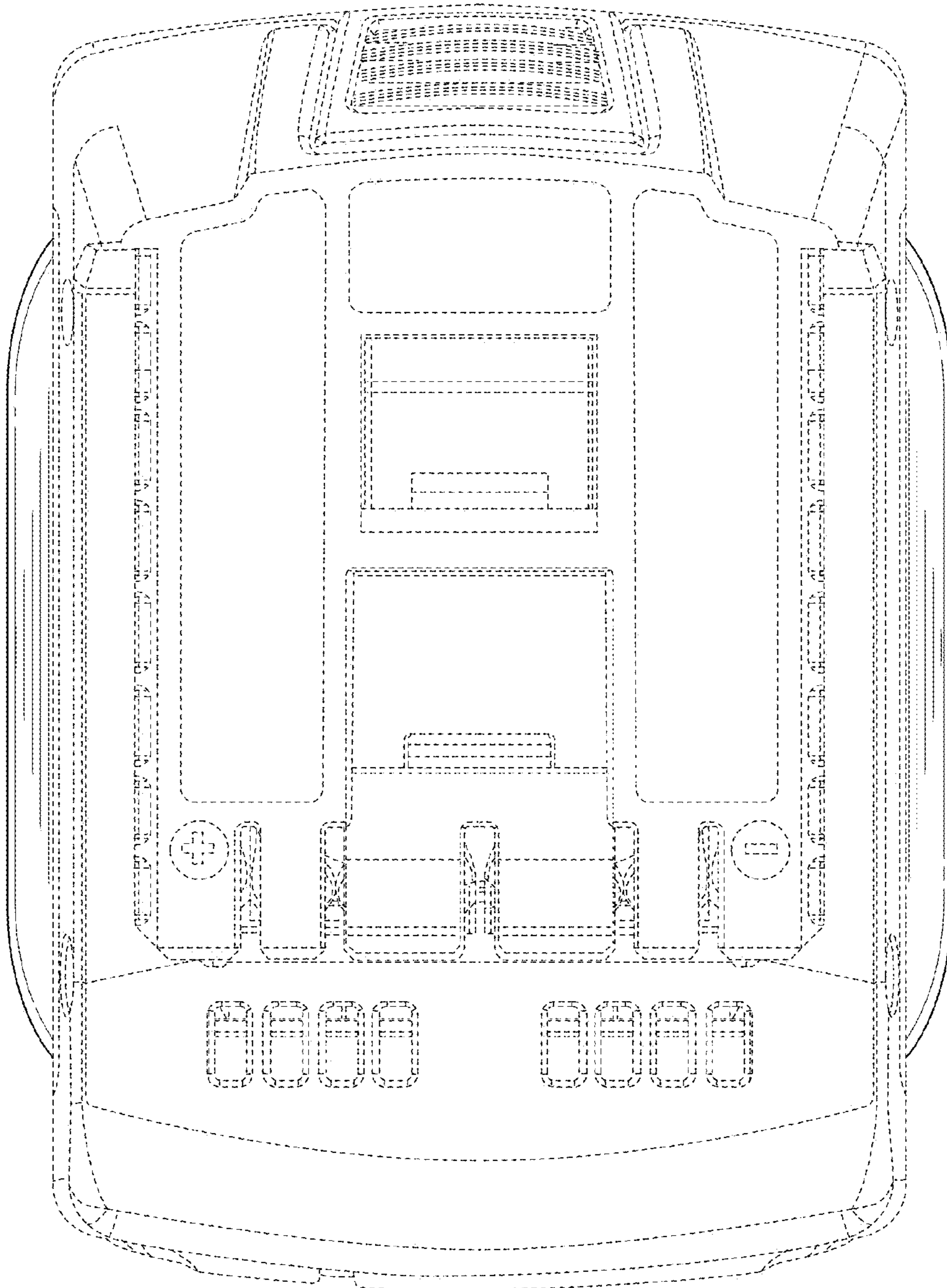


FIG. 6



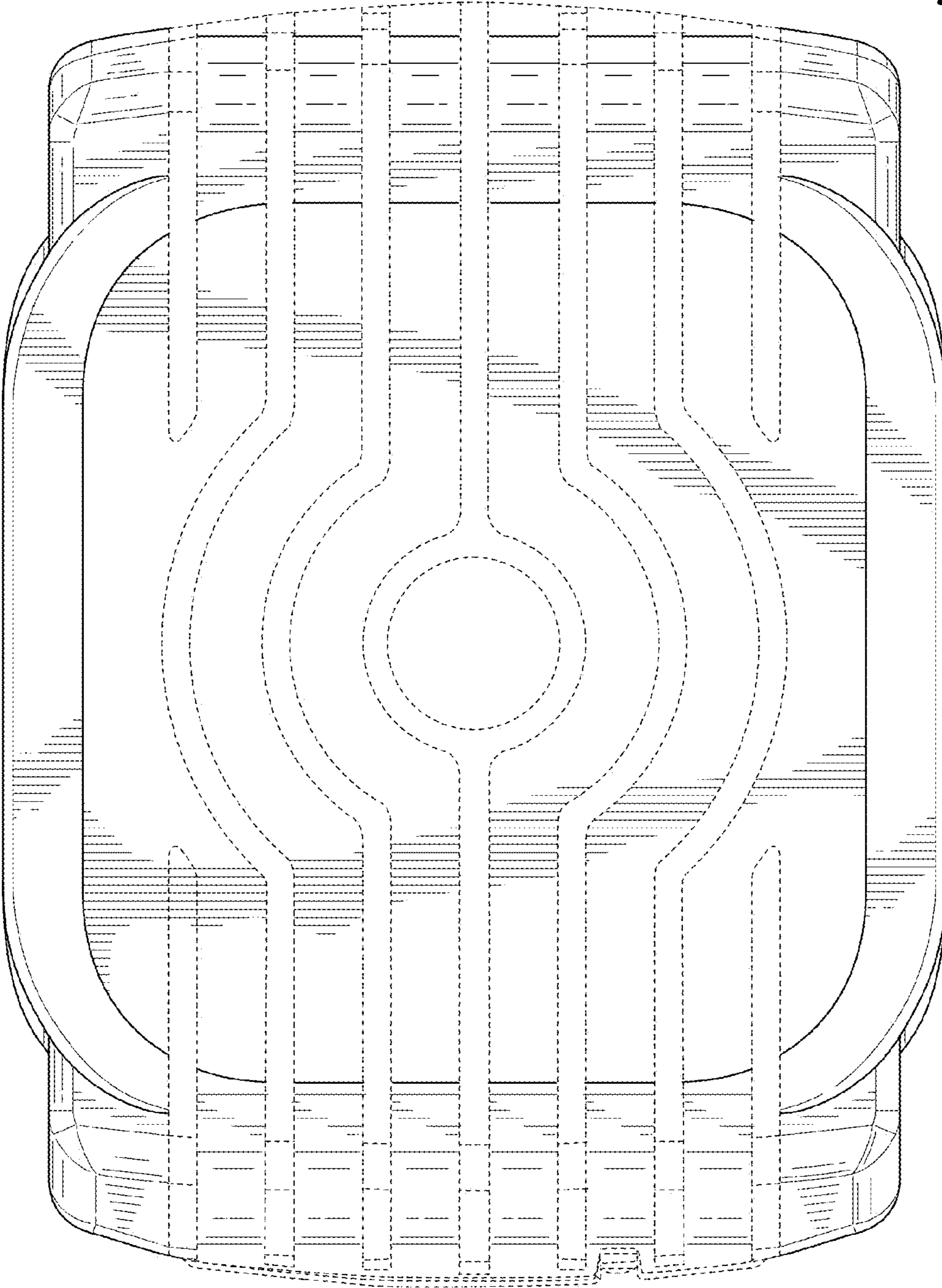


FIG. 7