



US00D763185S

(12) **United States Design Patent**
Wen

(10) **Patent No.:** **US D763,185 S**

(45) **Date of Patent:** **** *Aug. 9, 2016**

(54) **PORTABLE POWER SUPPLY**

(71) Applicant: **HELLO TECHNOLOGY LIMITED**,
Shenzhen, Guangdong Province (CN)

(72) Inventor: **Meichan Wen**, Guangdong Province
(CN)

(73) Assignee: **Hello Technology Limited**, Shenzhen,
Guangdong Province (CN)

(*) Notice: This patent is subject to a terminal dis-
claimer.

(**) Term: **14 Years**

(21) Appl. No.: **29/497,381**

(22) Filed: **Jul. 23, 2014**

(51) **LOC (10) Cl.** **13-02**

(52) **U.S. Cl.**
USPC **D13/103; D13/108**

(58) **Field of Classification Search**
USPC D13/102-110, 118-119, 184, 199;
D14/356, 432, 251, 253, 434;
320/107-115, 135, 138, 140, 103-105
CPC Y02E 60/12; Y02E 60/122; Y02E 60/124;
Y02E 60/50; H01M 2/02; H01M 2/022;
H01M 2/0202; H01M 2/0207; H01M 2/0212;
H01M 2/1061; H01M 2/1022; H01M 2/1055;
H01M 2/1066; H01M 2/105; H01M 2/204;
H01M 2/20; H01M 2/202; H01M 2/206;
H01M 10/4257; H01M 10/0436; H01M 10/48;
H01M 10/44; H01M 10/46; H01M 10/465;
H01M 10/482; H01M 2200/30; H01M
2250/30; H01M 2250/40; H02J 7/00; H02J
7/0003; H02J 7/0011; H02J 7/0013; H02J
7/0054; H02J 7/0055; H02J 7/0057; H02J
2007/0062

See application file for complete search history.

(56) **References Cited**

U.S. PATENT DOCUMENTS

D538,222	S	*	3/2007	Curello et al.	D13/103
D585,367	S	*	1/2009	Dunbar et al.	D13/108
D612,329	S	*	3/2010	Guccione et al.	D13/108
D643,807	S	*	8/2011	Jiang	D13/103
D676,380	S	*	2/2013	Sun	D13/108
D709,823	S	*	7/2014	Corley et al.	D13/103
D717,243	S	*	11/2014	Liu et al.	D13/108
D722,018	S	*	2/2015	Wang	D13/108
2006/0103242	A1	*	5/2006	Lin	307/66
2009/0108802	A1	*	4/2009	Wu	320/103
2011/0089892	A1	*	4/2011	Lin	320/107
2015/0155726	A1	*	6/2015	Duan et al.	320/113
2015/0207358	A1	*	7/2015	Lin et al.	

* cited by examiner

Primary Examiner — Rosemary K Tarca

Assistant Examiner — Sanjeev Paul

(74) *Attorney, Agent, or Firm* — Jeanette Meng Nakagawa

(57) **CLAIM**

The ornamental design for a portable power supply, as shown and described.

DESCRIPTION

FIG. 1 is a perspective view of a portable power supply showing my new design;

FIG. 2 is a front view thereof;

FIG. 3 is a back view thereof;

FIG. 4 is a left side view thereof;

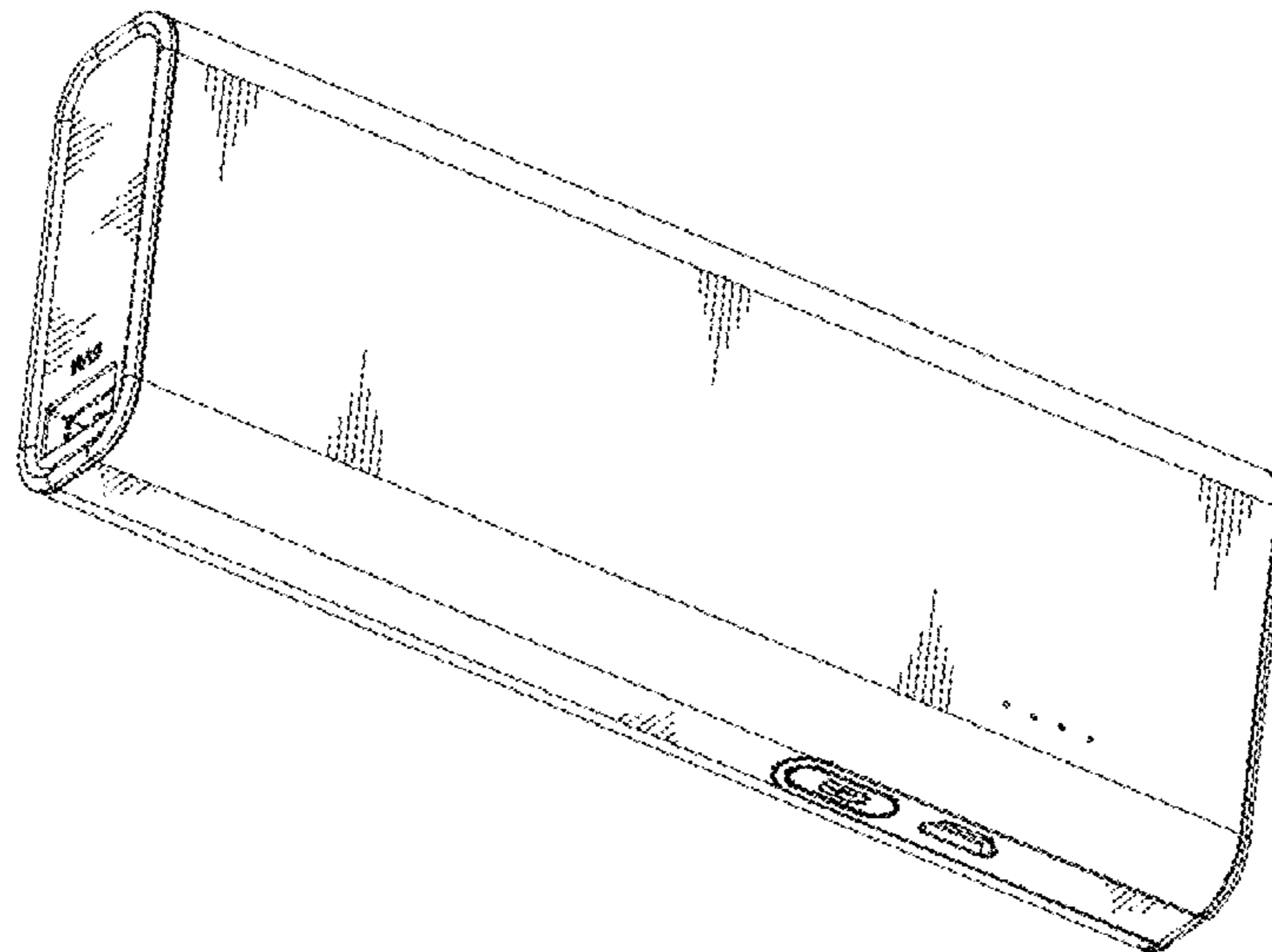
FIG. 5 is a right side view thereof;

FIG. 6 is a top view thereof; and,

FIG. 7 is a bottom view thereof.

The broken line shown in the drawings of the portable power supply are included for the purpose of illustrating environmental structure and form no part of the claimed design.

1 Claim, 4 Drawing Sheets



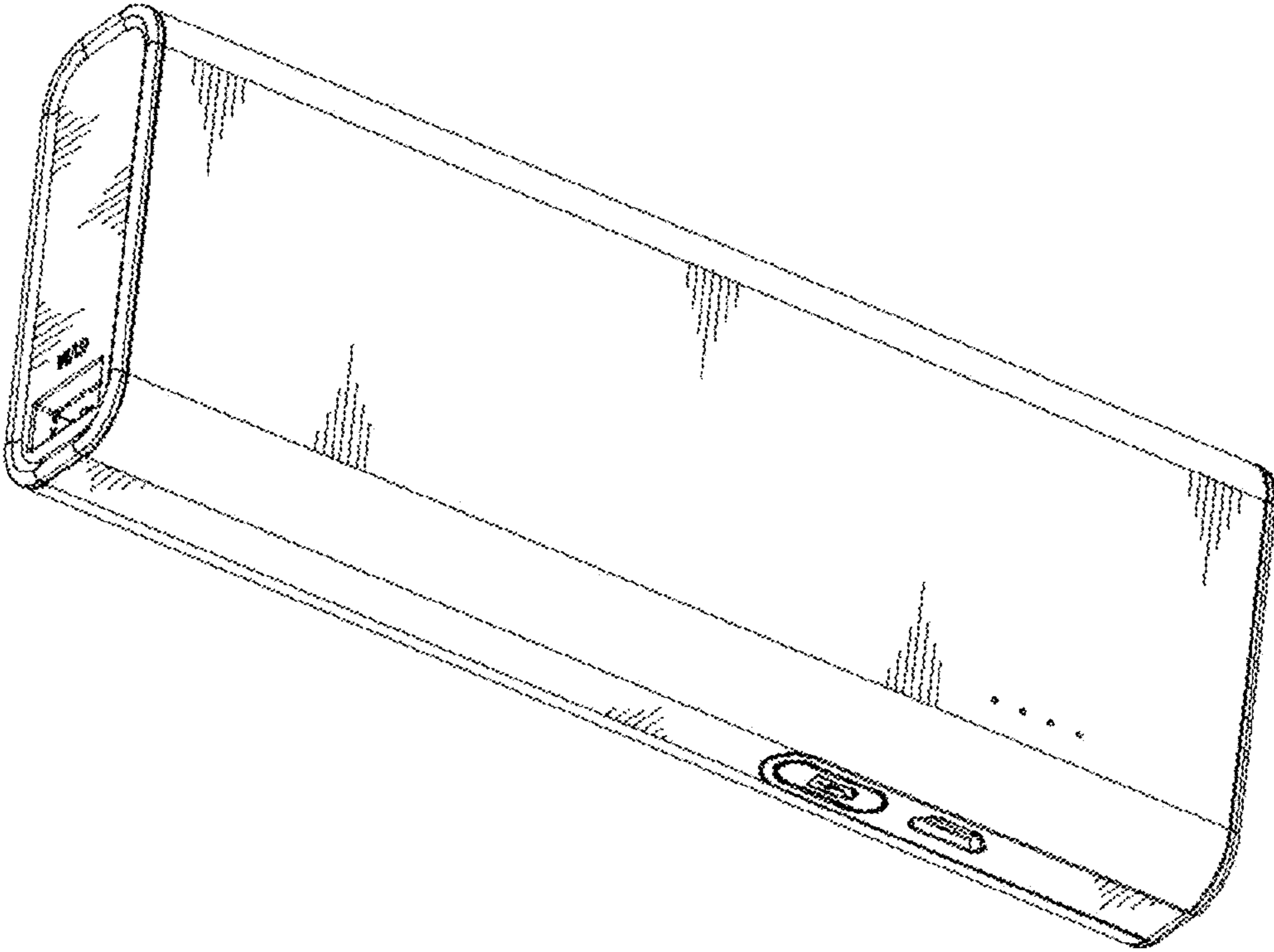


Figure 1.

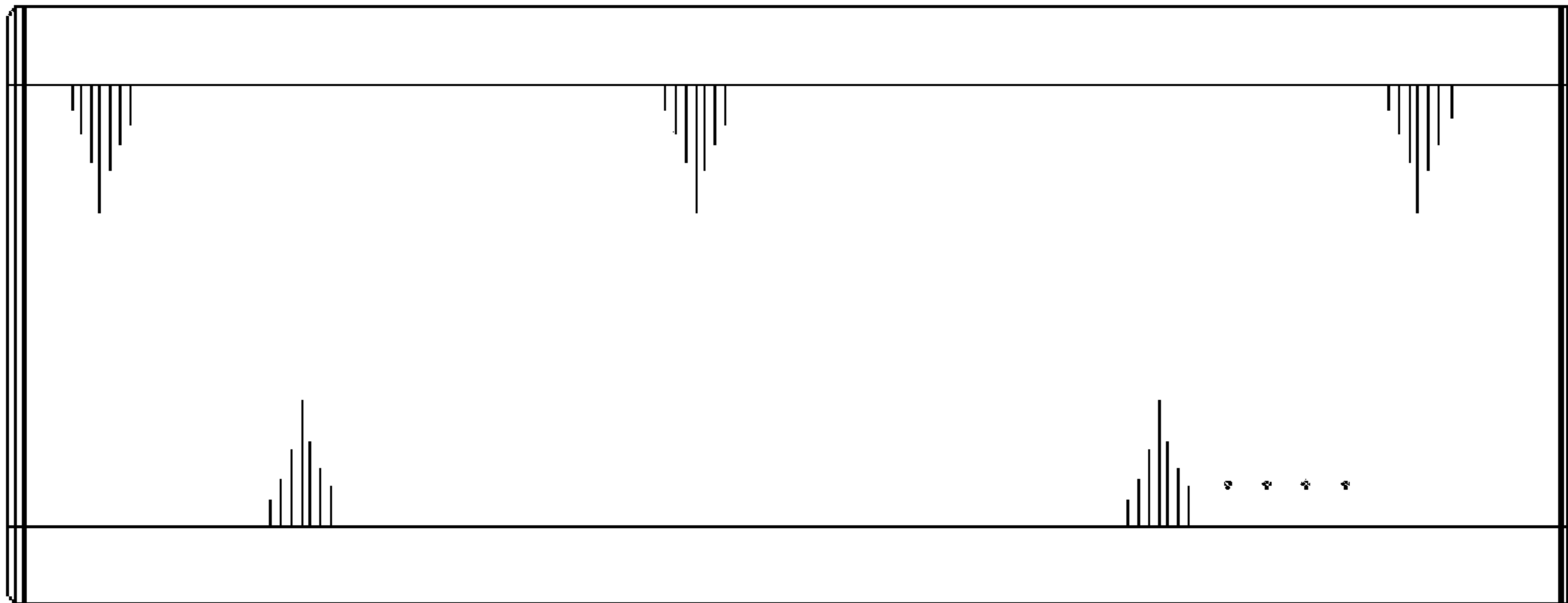


Figure 2.

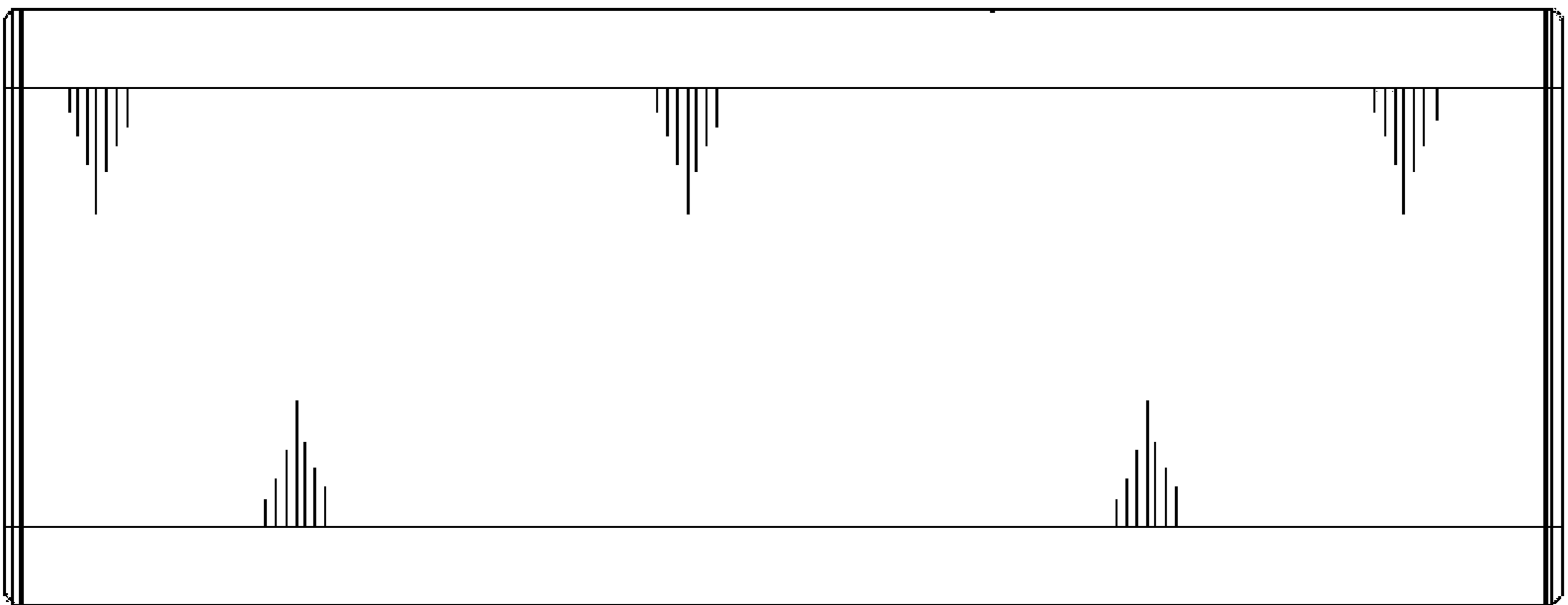


Figure 3.

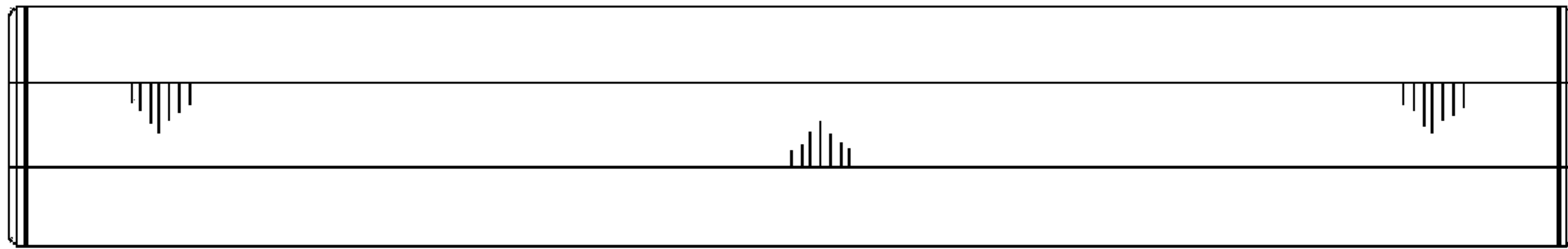


Figure 4.

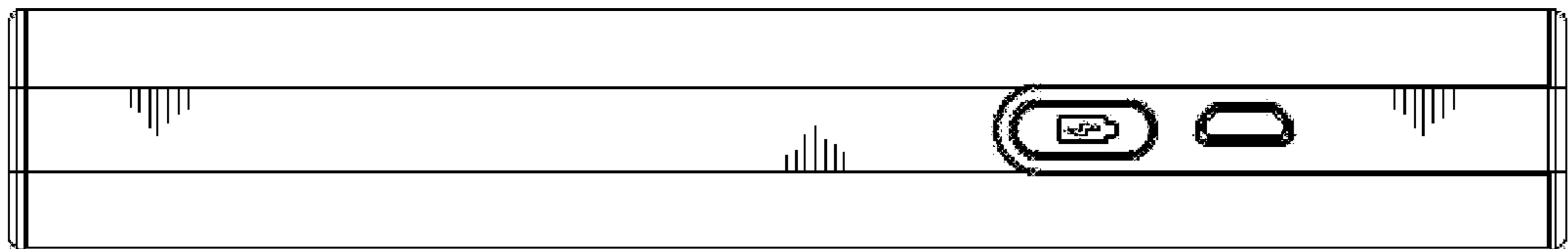


Figure 5.

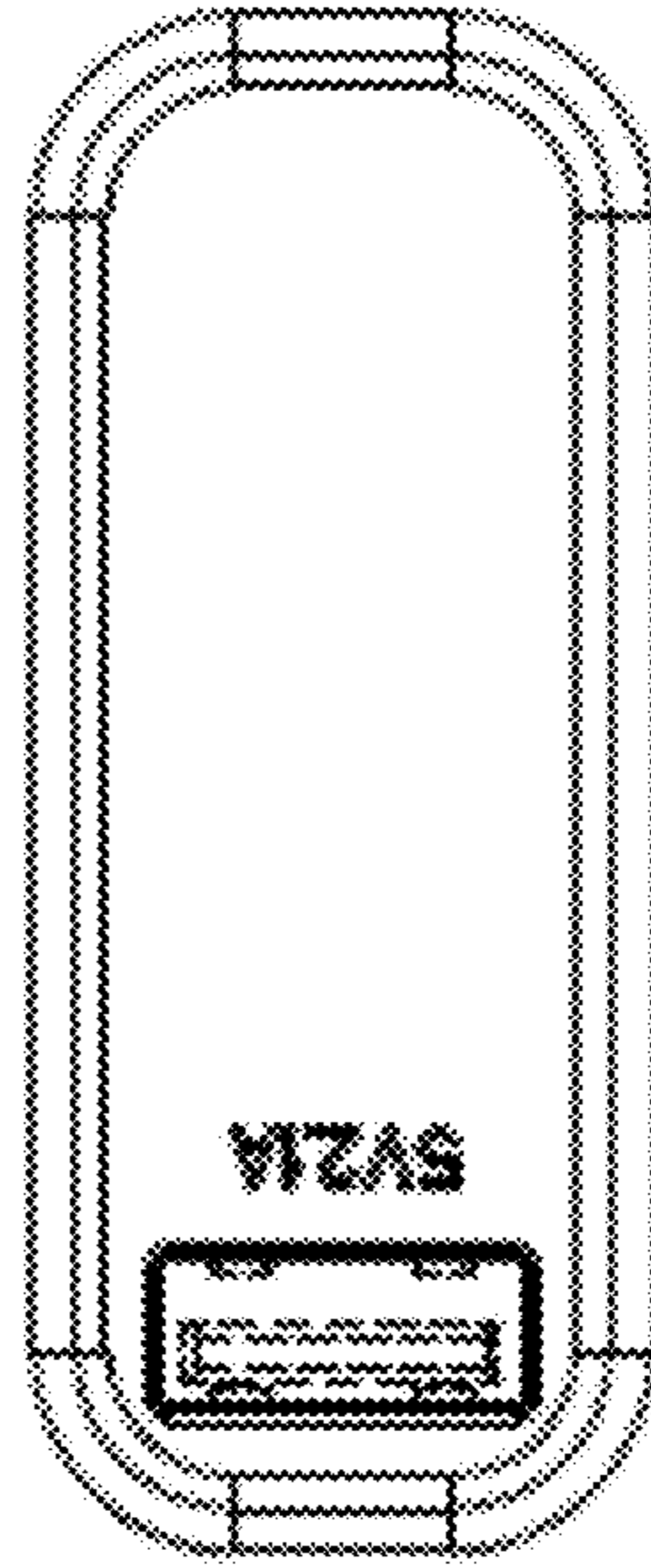


Fig. 6

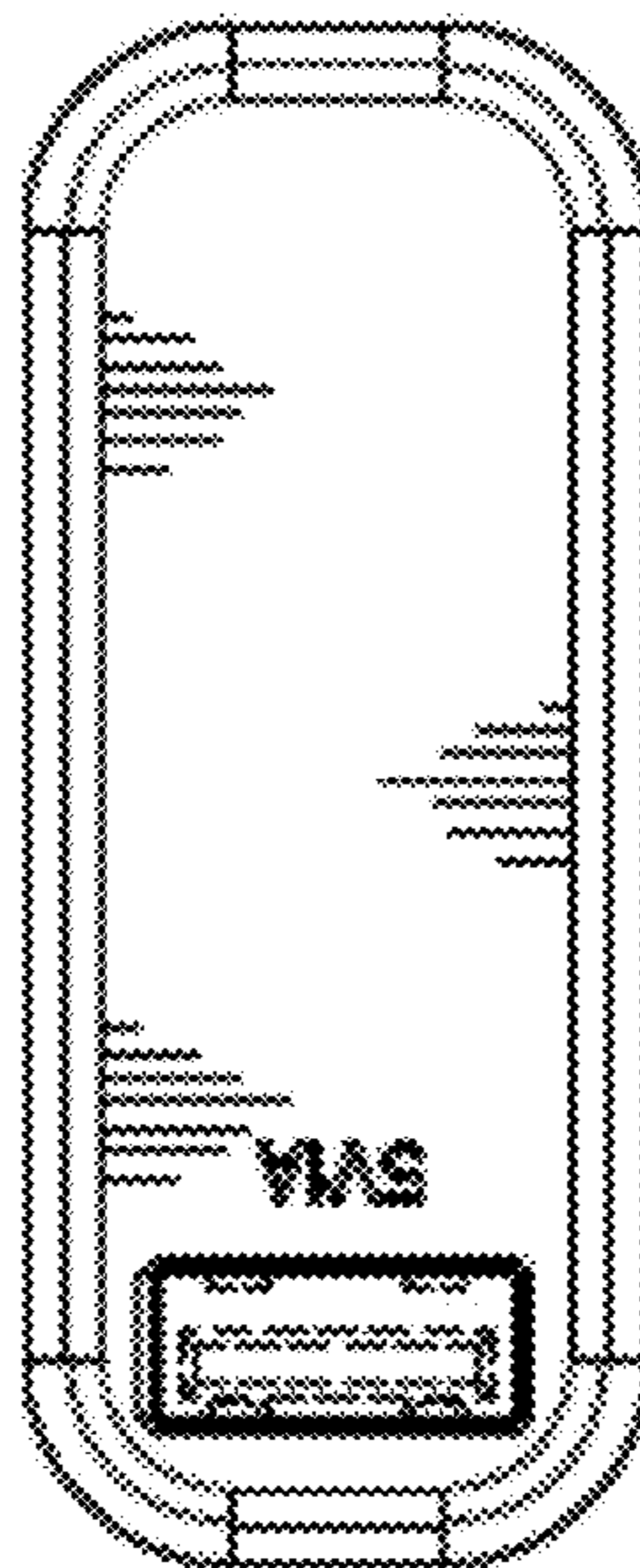


Fig. 7