



US00D763180S

(12) **United States Design Patent**  
**Siam**

(10) **Patent No.:** **US D763,180 S**

(45) **Date of Patent:** **\*\* Aug. 9, 2016**

(54) **PNEUMATIC TIRE**

(71) Applicant: **Piyasart Siam**, Clermont-Ferrand (FR)

(72) Inventor: **Piyasart Siam**, Clermont-Ferrand (FR)

(73) Assignees: **COMPAGNIE GENERALE DES  
ETABLISSEMENTS**, Michelin (FR);  
**MICHELIN RECHERCHE ET  
TECHNIQUE S.A.** (CH)

(\*\*) Term: **14 Years**

(21) Appl. No.: **29/491,840**

(22) Filed: **May 26, 2014**

(30) **Foreign Application Priority Data**

Nov. 26, 2013 (FR) ..... 13 5068

(51) **LOC (10) Cl.** ..... **12-15**

(52) **U.S. Cl.**  
USPC ..... **D12/588**

(58) **Field of Classification Search**  
USPC ..... D12/511–525, 535, 537, 568–603;  
152/209.1, 209.8, 209.18, 209.25,  
152/209.28  
CPC ..... B60C 3/06; B60C 11/03; B60C 11/11;  
B60C 11/0304; B60C 11/0318; B60C 13/003;  
B60C 17/0009; B60C 2011/1227; B60C  
2200/10

See application file for complete search history.

(56) **References Cited**

**U.S. PATENT DOCUMENTS**

D316,239 S *	4/1991	Tsuda	.....	D12/588
D397,648 S *	9/1998	Allen	.....	D12/588
D402,240 S *	12/1998	Hubbell, Jr.	.....	D12/594
D429,667 S *	8/2000	Fierro	.....	D12/595
D449,024 S *	10/2001	Lovell	.....	D12/595
D464,614 S *	10/2002	Irimiya	.....	D12/588
D484,092 S *	12/2003	Okamoto	.....	D12/600
D488,123 S *	4/2004	Ooyama	.....	D12/600
D531,115 S *	10/2006	Ikeda	.....	D12/588
D591,224 S *	4/2009	Ludwig	.....	D12/588

D610,076 S *	2/2010	Tobino	.....	D12/600
D615,922 S *	5/2010	Takano	.....	D12/588
D616,356 S *	5/2010	Ohara	.....	D12/588
D635,915 S *	4/2011	Hamada	.....	D12/588
D647,040 S *	10/2011	Mathonet	.....	D12/588
D668,208 S *	10/2012	Brown	.....	D12/588
D674,741 S *	1/2013	Mathonet	.....	D12/588
D686,973 S *	7/2013	Otani	.....	D12/588
D719,907 S *	12/2014	Ohara	.....	D12/588
D730,273 S *	5/2015	Schimmoeller	.....	D12/601

\* cited by examiner

*Primary Examiner* — Marianne Pandozzi

*Assistant Examiner* — Aula Soroush

(74) *Attorney, Agent, or Firm* — Dickinson Wright PLLC

(57) **CLAIM**

The ornamental design for a pneumatic tire, as shown and described.

**DESCRIPTION**

FIG. 1 is a perspective view of a pneumatic tire of my new design, it being understood that the pattern repeats uniformly throughout the circumference of the tire;

FIG. 2 is a front elevational view of a pneumatic tire of my new design, it being understood that the pattern repeats uniformly throughout the circumference of the tire;

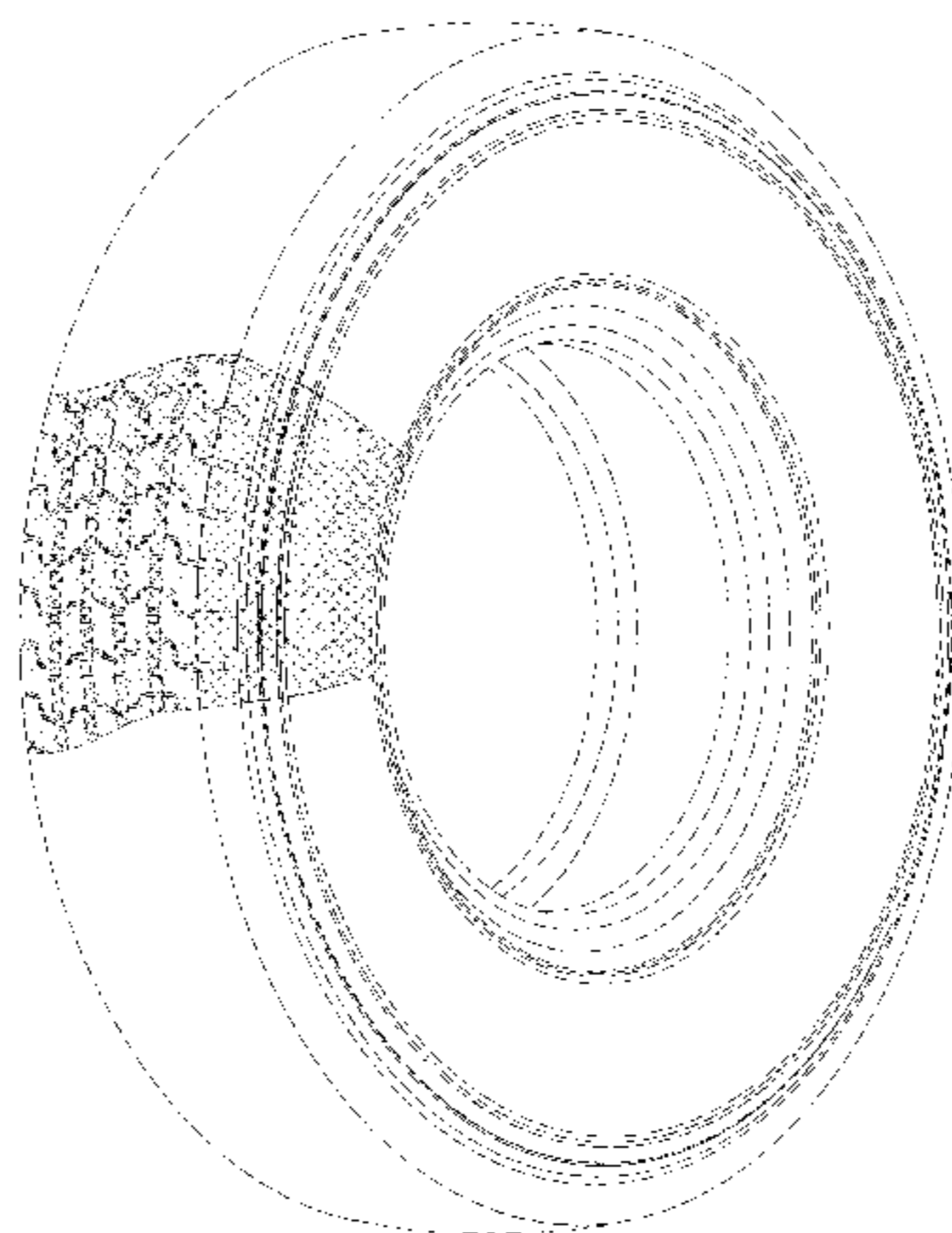
FIG. 3 is a side elevational view of a pneumatic tire of my new design, it being understood that the pattern repeats uniformly throughout the circumference of the tire;

FIG. 4 is a side elevational view of a pneumatic tire of my new design, taken from the opposite side shown in FIG. 3, it being understood that the pattern repeats uniformly throughout the circumference of the tire; and,

FIG. 5 is an enlarged, partial view of the pneumatic tire of FIG. 1, it being understood that the pattern repeats uniformly throughout the circumference of the tire.

In the drawings, the broken lines defining the inner bead depict environmental subject matter that forms no part of the claimed design. The dash-dot lines represent the boundary between the claimed tire tread and sidewall and the unclaimed inner bead. The sidewall is understood to repeat uniformly throughout the circumference of the tire; and the tread pattern is understood to repeat uniformly throughout the circumference of the tire.

**1 Claim, 5 Drawing Sheets**



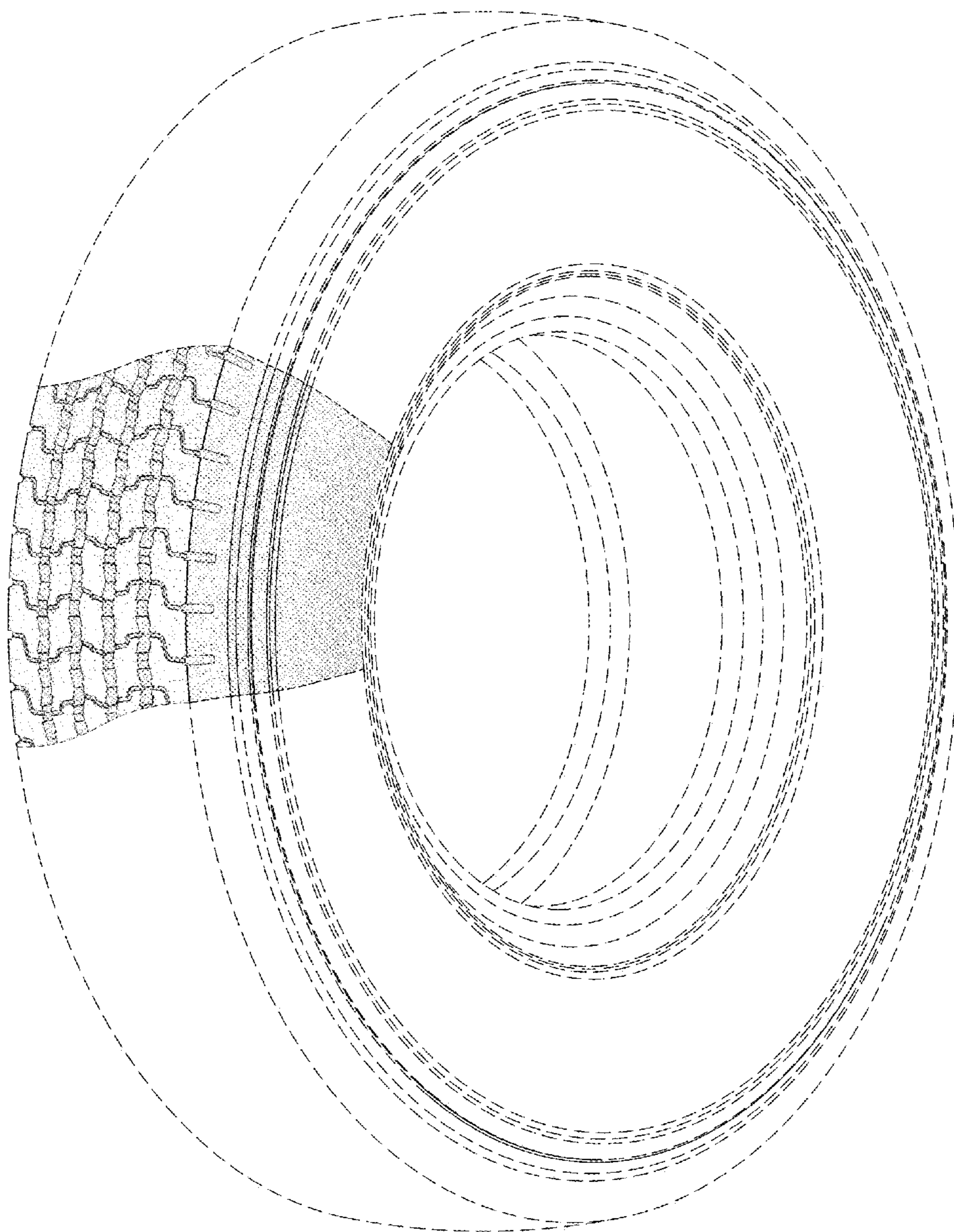
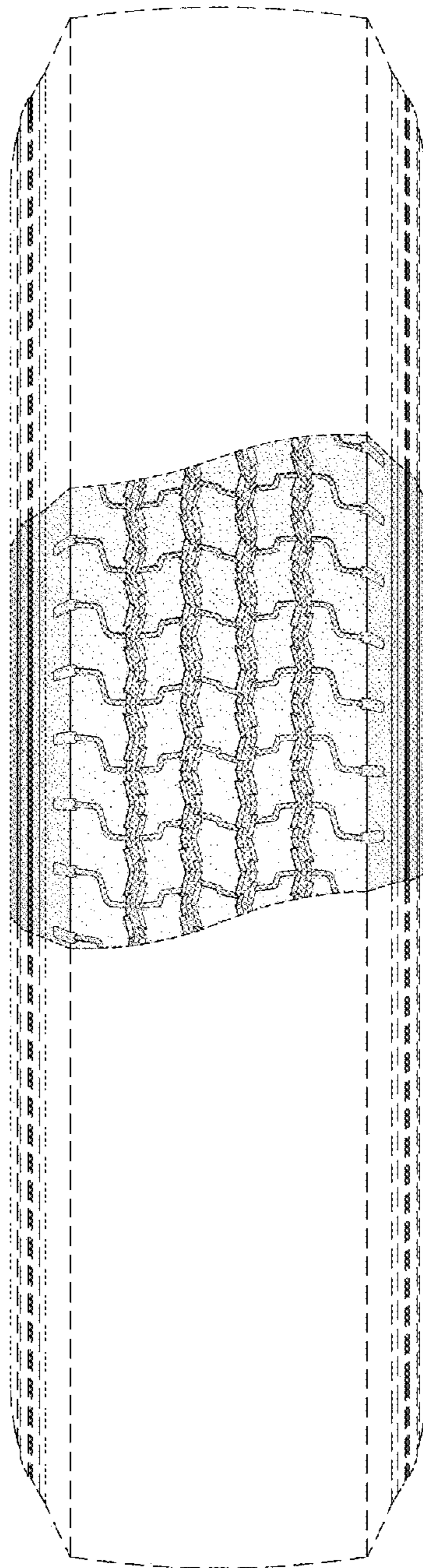
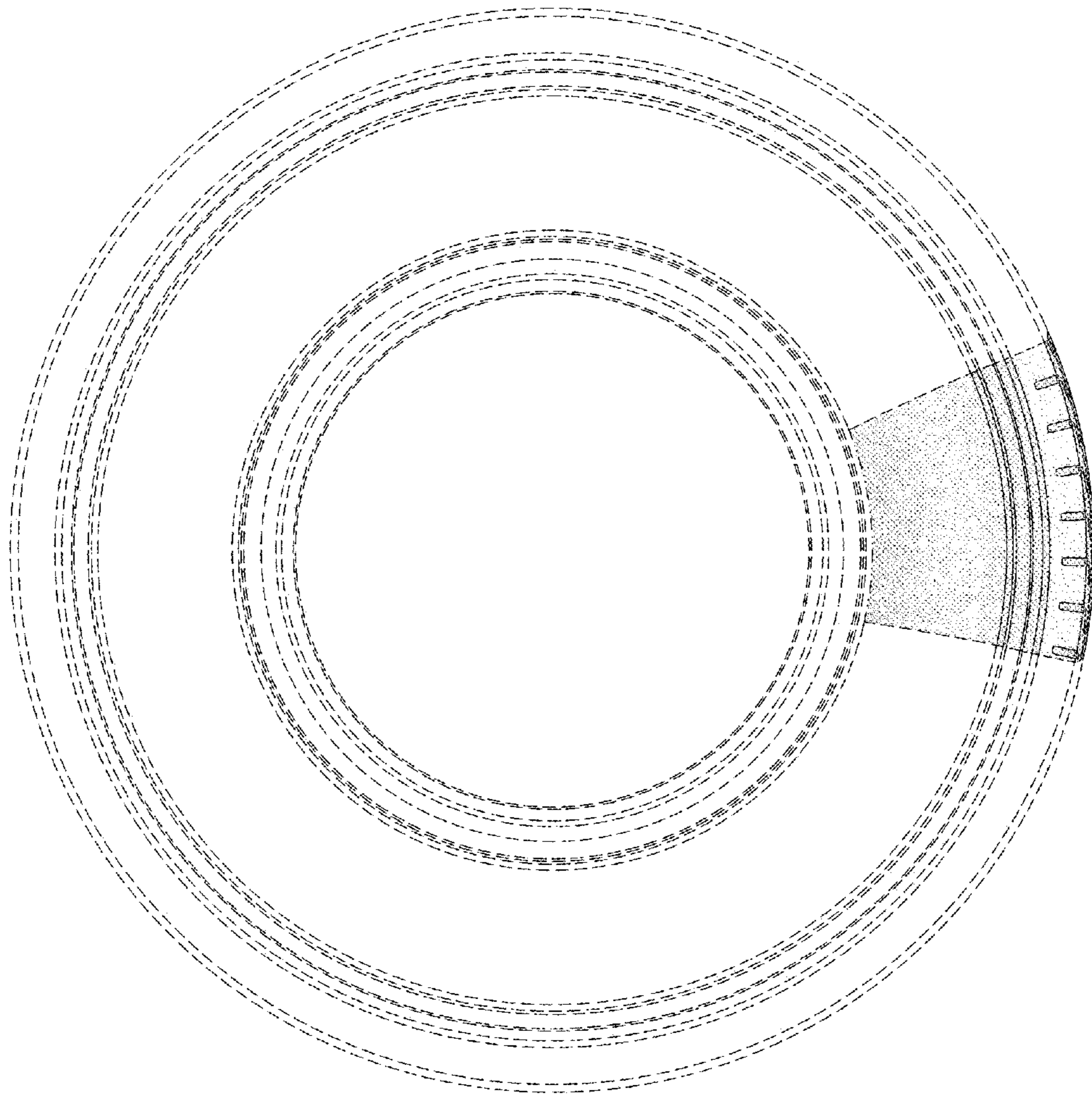


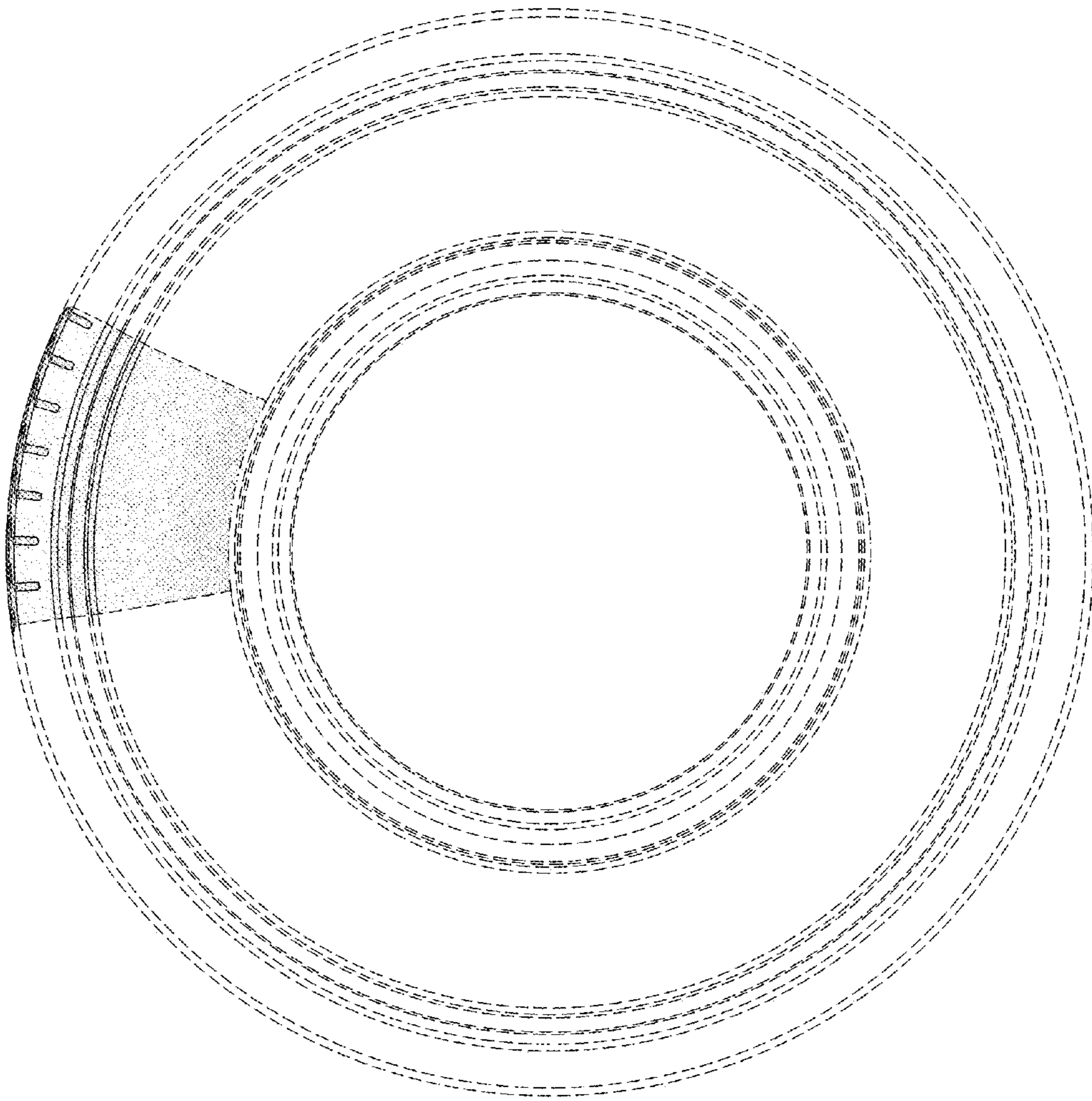
FIG. 1



**FIG. 2**



**FIG. 3**



**FIG. 4**

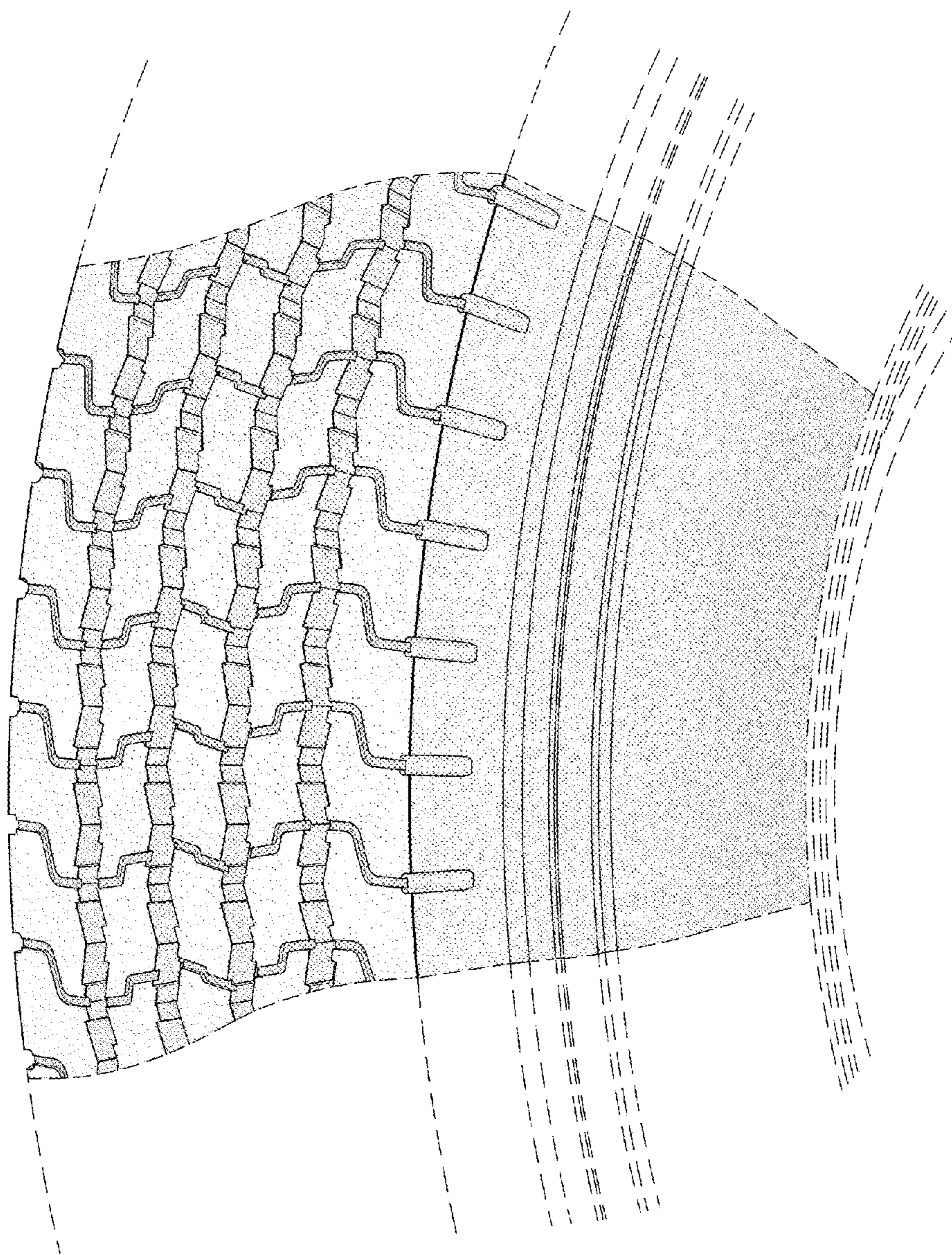


FIG. 5