



US00D763170S

(12) **United States Design Patent**
Marankie

(10) **Patent No.:** **US D763,170 S**

(45) **Date of Patent:** **** Aug. 9, 2016**

- (54) **CONTOUR TRUCK RACK**
- (71) Applicant: **Greg Marankie**, Newbury Park, CA (US)
- (72) Inventor: **Greg Marankie**, Newbury Park, CA (US)
- (**) Term: **14 Years**
- (21) Appl. No.: **29/525,691**
- (22) Filed: **May 1, 2015**
- (51) **LOC (10) Cl.** **12-16**
- (52) **U.S. Cl.**
USPC **D12/414**
- (58) **Field of Classification Search**
USPC D12/414, 406; D32/35, 58;
D6/317-319, 513-514
CPC B60P 9/00; B60P 3/40
See application file for complete search history.

- 7,419,075 B2 * 9/2008 Green B60R 9/00
211/206
- 7,641,251 B1 * 1/2010 Stepanians B60P 3/40
224/405
- D639,231 S * 6/2011 Walsh D12/414
- D717,230 S * 11/2014 Fichter D12/414
- D722,007 S * 2/2015 Ting D12/414

* cited by examiner

Primary Examiner — Katrina A Betton

(57) **CLAIM**

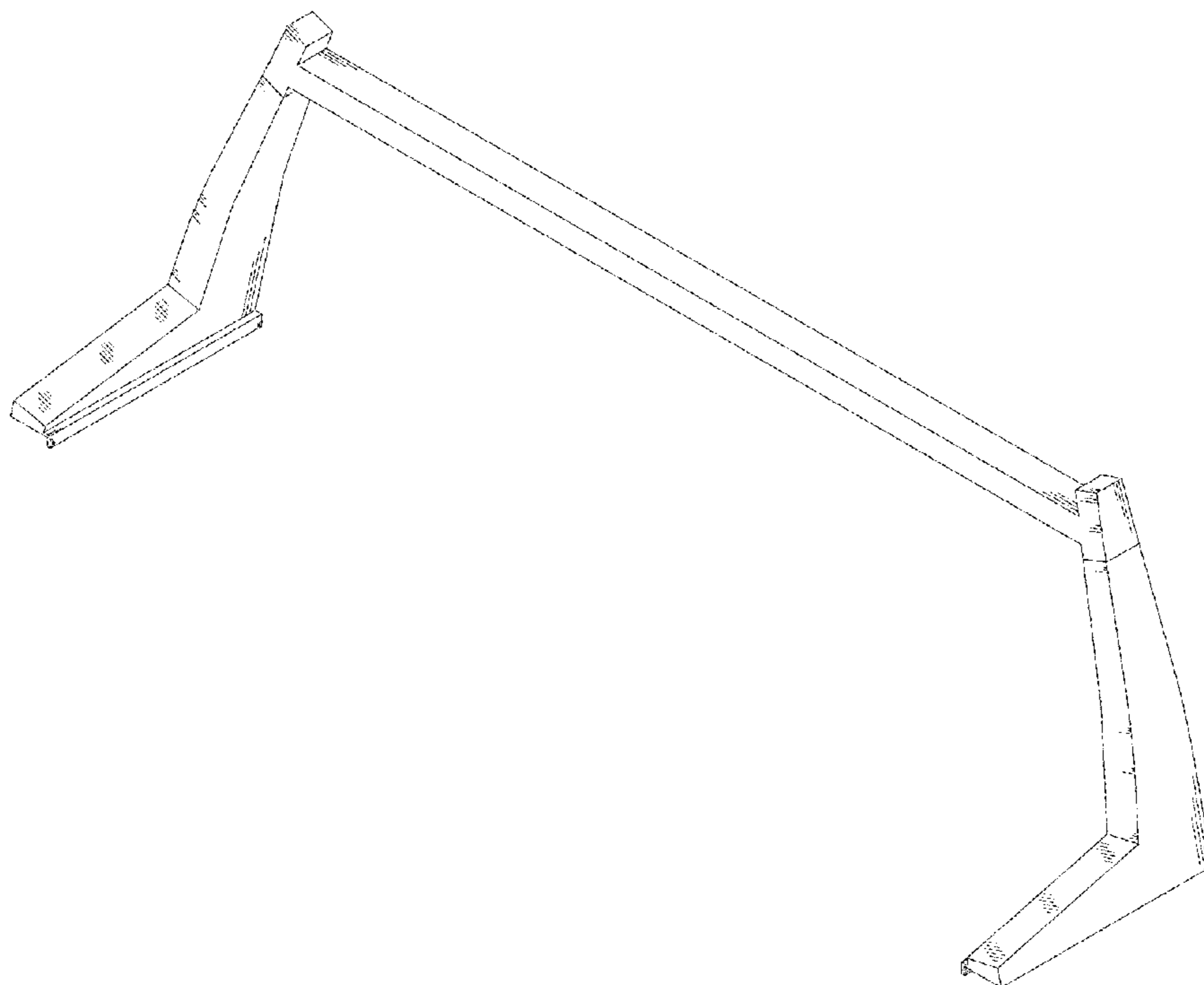
The ornamental design for a contour truck rack, as shown and described.

DESCRIPTION

FIG. 1 is a perspective view of the contour truck rack showing my new design;
 FIG. 2 is a front elevational view thereof;
 FIG. 3 is a back elevational view thereof;
 FIG. 4 is a left side elevational view thereof;
 FIG. 5 is a right side elevational view thereof;
 FIG. 6 is a top plan view thereof;
 FIG. 7 is a bottom plan view thereof; and,
 FIG. 8 is a perspective view showing the contour truck rack on a truck.
 In the drawings, the broken lines in FIG. 8 depict a truck and no part of the claimed design.

1 Claim, 8 Drawing Sheets

- (56) **References Cited**
U.S. PATENT DOCUMENTS
- D244,268 S * 5/1977 Hinch D12/412
- D306,003 S * 2/1990 Berkan, Jr. D12/414
- D398,284 S * 9/1998 Carter D12/406
- D436,915 S * 1/2001 Burger D12/406
- D444,446 S * 7/2001 Carter D12/406



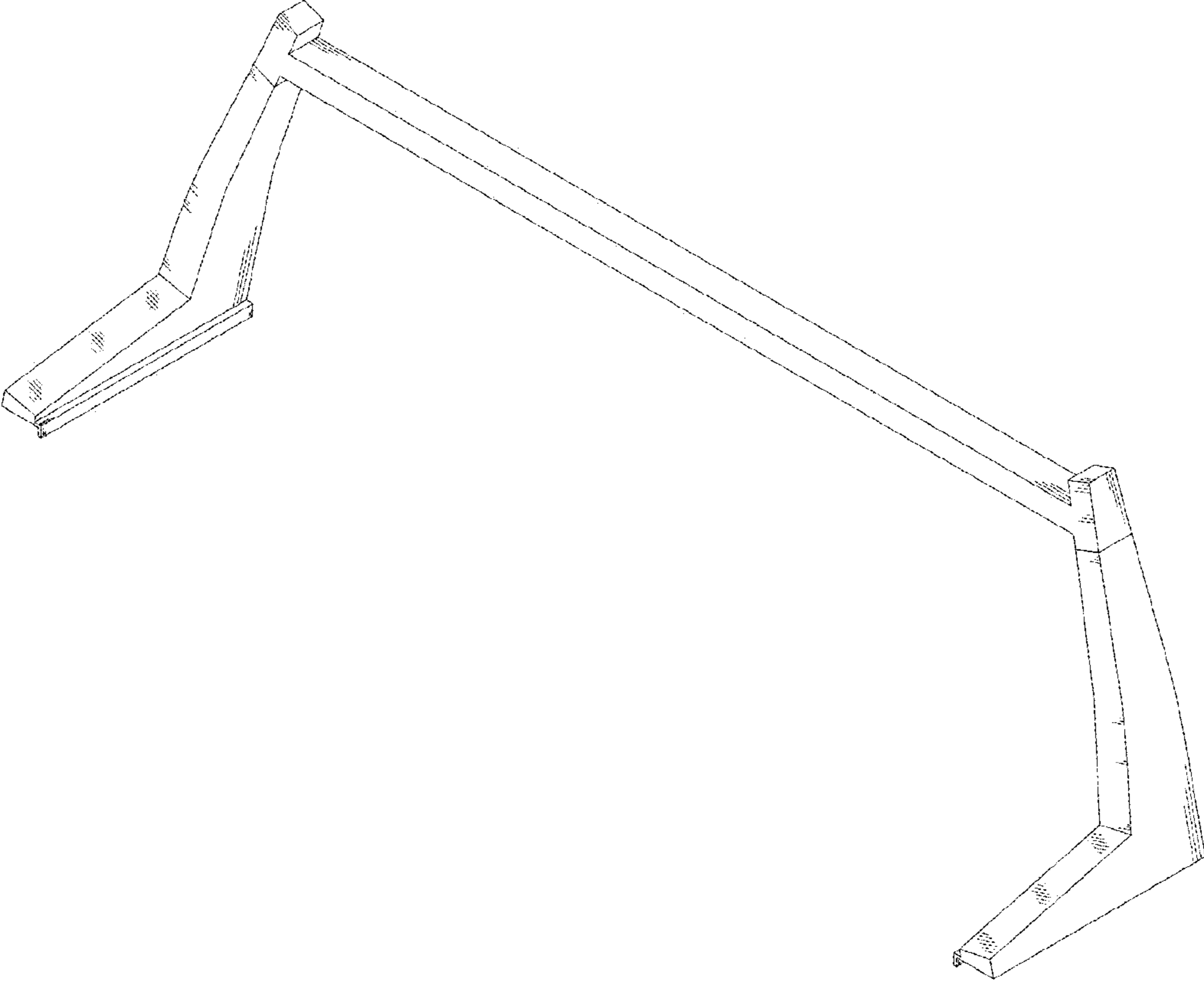


FIG. 1

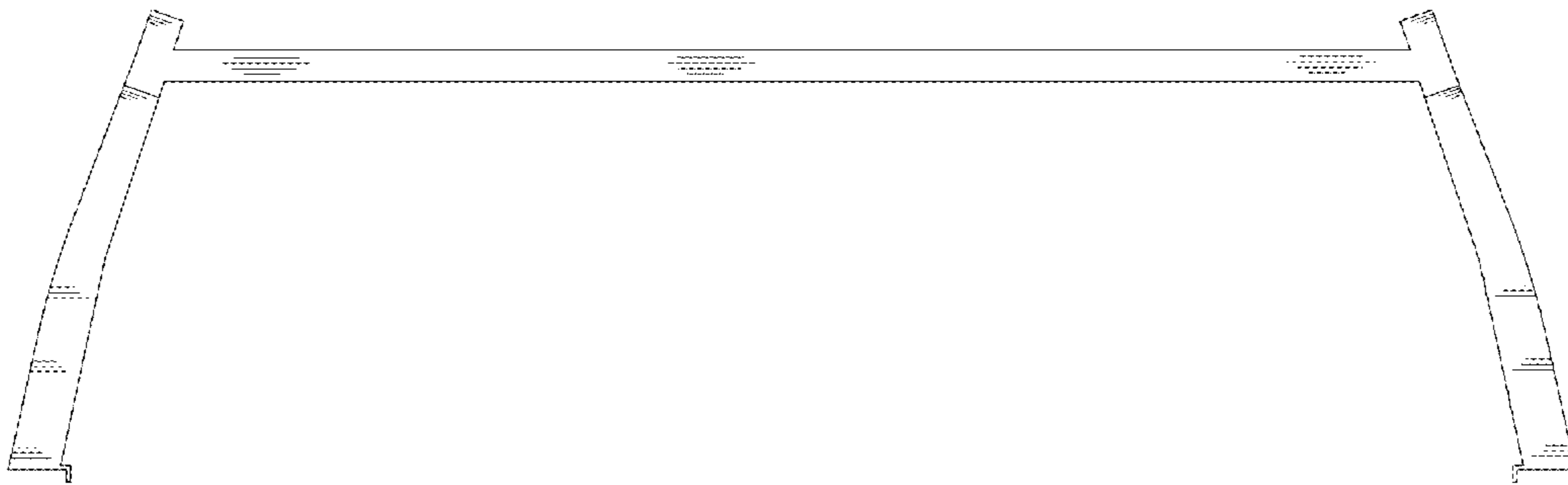


FIG. 2

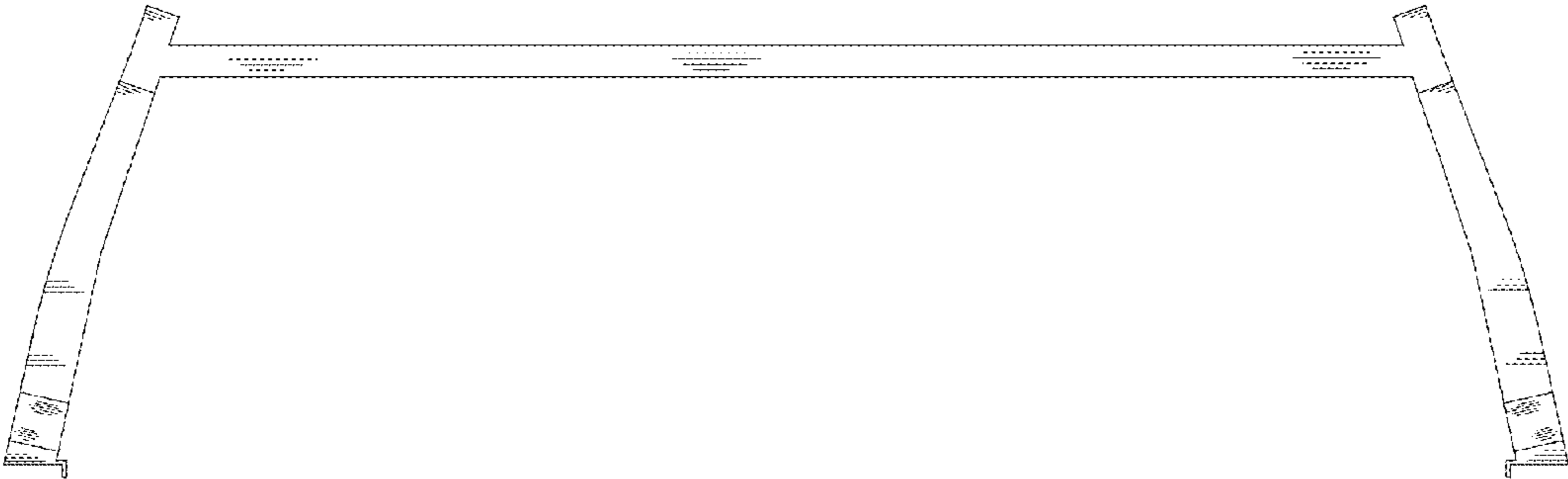


FIG. 3

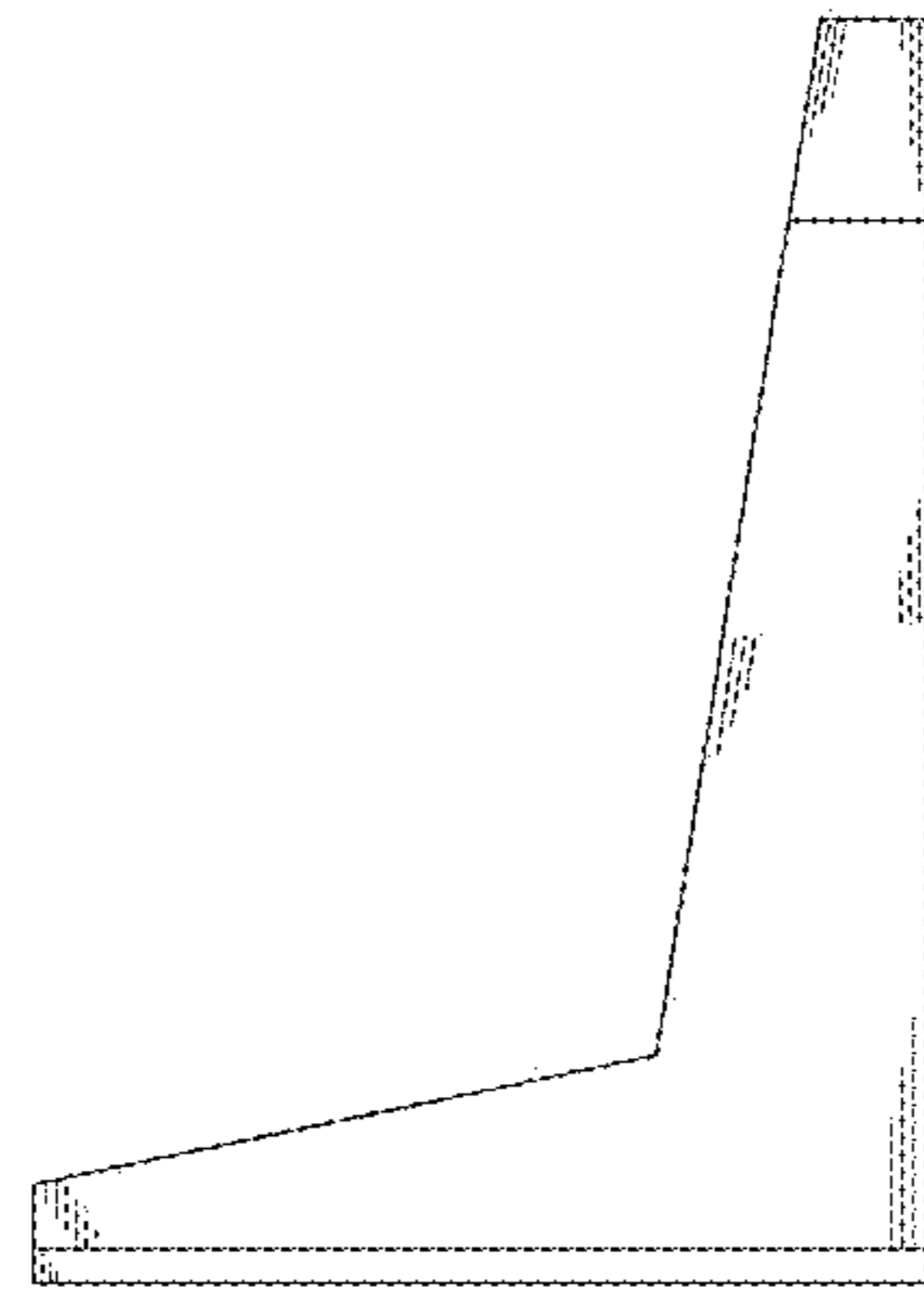


FIG. 4

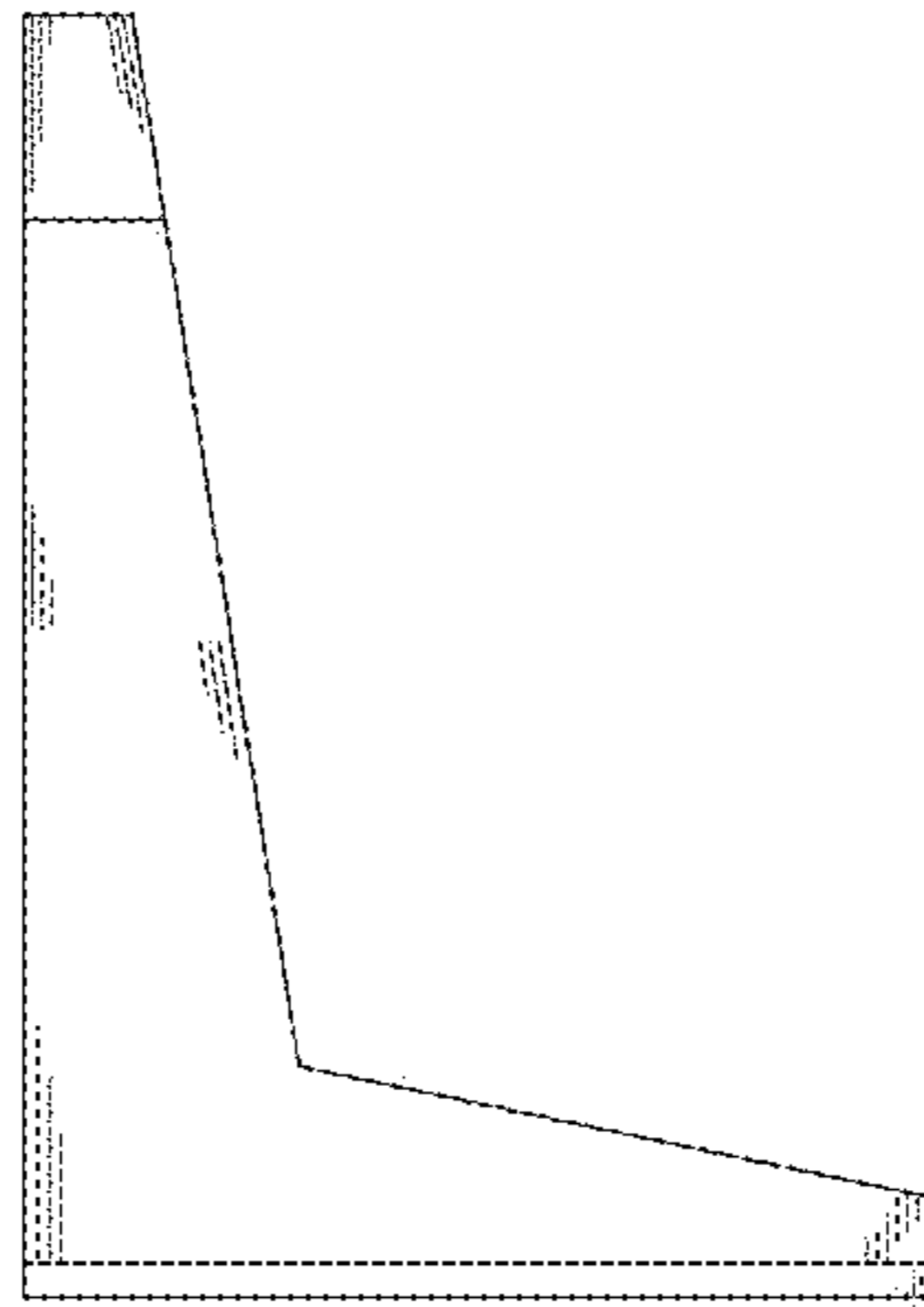


FIG. 5

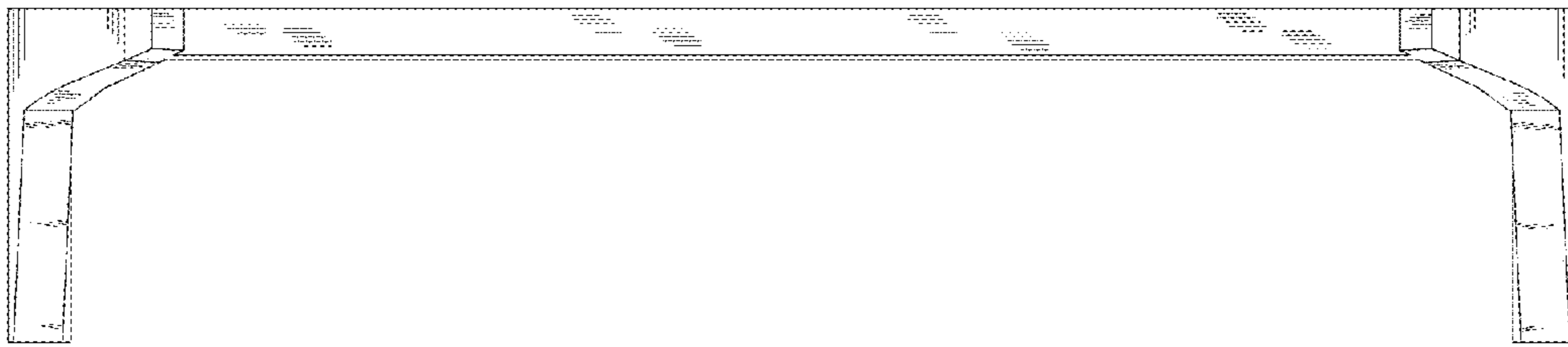


FIG. 6

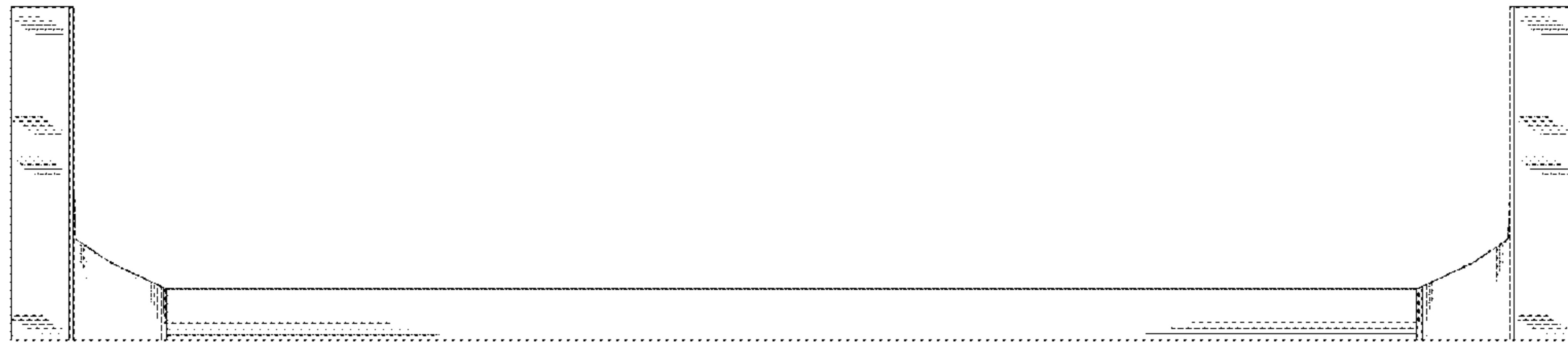


FIG. 7

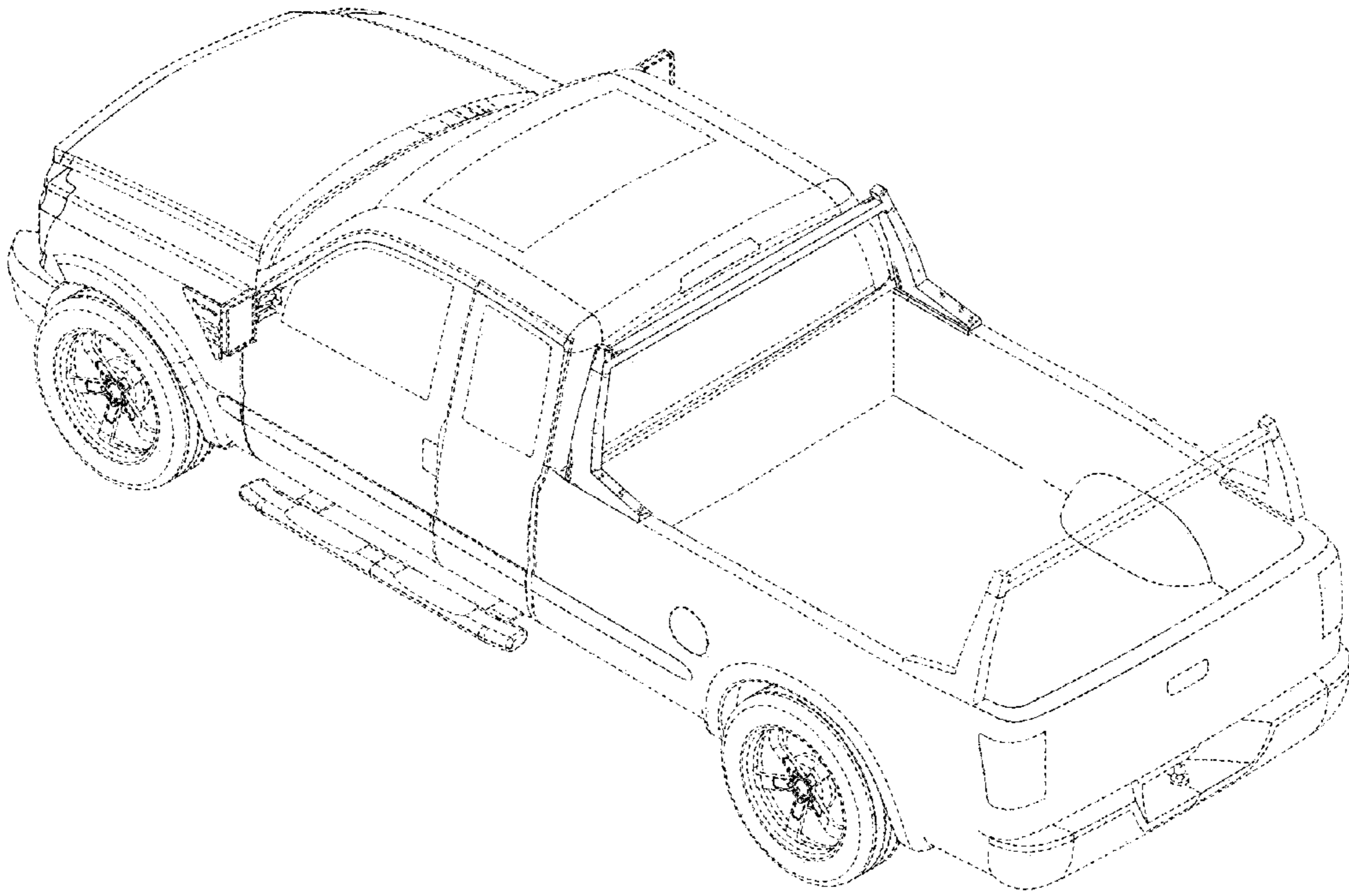


FIG. 8