



US00D763167S

(12) **United States Design Patent**  
**Berson**

(10) **Patent No.:** **US D763,167 S**  
(45) **Date of Patent:** **\*\* Aug. 9, 2016**

(54) **ANGLED ROTATING GRIP**  
(71) Applicant: **Steven B. Berson**, Morrisville, VT (US)  
(72) Inventor: **Steven B. Berson**, Morrisville, VT (US)  
(\*\*) Term: **14 Years**  
(21) Appl. No.: **29/501,242**  
(22) Filed: **Sep. 2, 2014**  
(51) **LOC (10) Cl.** ..... **12-06**  
(52) **U.S. Cl.**  
USPC ..... **D12/215**  
(58) **Field of Classification Search**  
USPC ..... D12/215; D8/1, 7, 10, 13, 300, 303,  
D8/310; D21/756, 804, 806, 807, 681, 684  
CPC ..... B63H 16/04  
See application file for complete search history.

8,556,782 B2 \* 10/2013 Cen ..... A63B 21/072  
482/106  
8,672,815 B1 \* 3/2014 Springer ..... A63B 21/0724  
482/106  
8,845,500 B2 \* 9/2014 Huang ..... A63B 21/015  
482/121  
2005/0153606 A1 \* 7/2005 Lane ..... B63H 16/04  
440/101  
2005/0202942 A1 \* 9/2005 De Lano ..... A63B 21/0724  
482/107  
2008/0176723 A1 \* 7/2008 Johnson ..... A63B 21/0724  
482/106  
2010/0124859 A1 \* 5/2010 Bucknell ..... B63H 16/04  
440/101  
2013/0045099 A1 2/2013 Bicknell

\* cited by examiner

*Primary Examiner* — George D Kirschbaum  
*Assistant Examiner* — Clese Moore, Jr.  
(74) *Attorney, Agent, or Firm* — Thomas G. Ference

(56) **References Cited**

U.S. PATENT DOCUMENTS

2,913,727 A \* 11/1959 Smith ..... B63H 16/04  
416/72  
3,384,370 A \* 5/1968 Bailey ..... A63B 21/0724  
482/106  
4,690,400 A \* 9/1987 Metz ..... A63B 21/015  
482/106  
4,822,035 A \* 4/1989 Jennings ..... A63B 21/0724  
482/106  
D301,510 S \* 6/1989 Orak ..... D21/684  
RE33,218 E \* 5/1990 Twardosz ..... A63B 21/0724  
482/106  
5,024,434 A \* 6/1991 Smith ..... A63B 21/0724  
482/106  
5,211,616 A \* 5/1993 Riley, Jr. .... A63B 21/072  
482/106  
5,407,405 A \* 4/1995 Oren ..... A63B 7/02  
482/106  
6,022,300 A \* 2/2000 Hightower ..... A63B 21/0724  
482/106  
D480,438 S \* 10/2003 Walkow ..... D21/681  
D520,575 S \* 5/2006 Diakonov ..... D21/679  
7,862,486 B1 \* 1/2011 Watson ..... A63B 21/0724  
482/106  
D658,729 S \* 5/2012 McLoughney ..... D21/682  
8,317,558 B2 \* 11/2012 Bucknell ..... B63H 16/04  
416/74

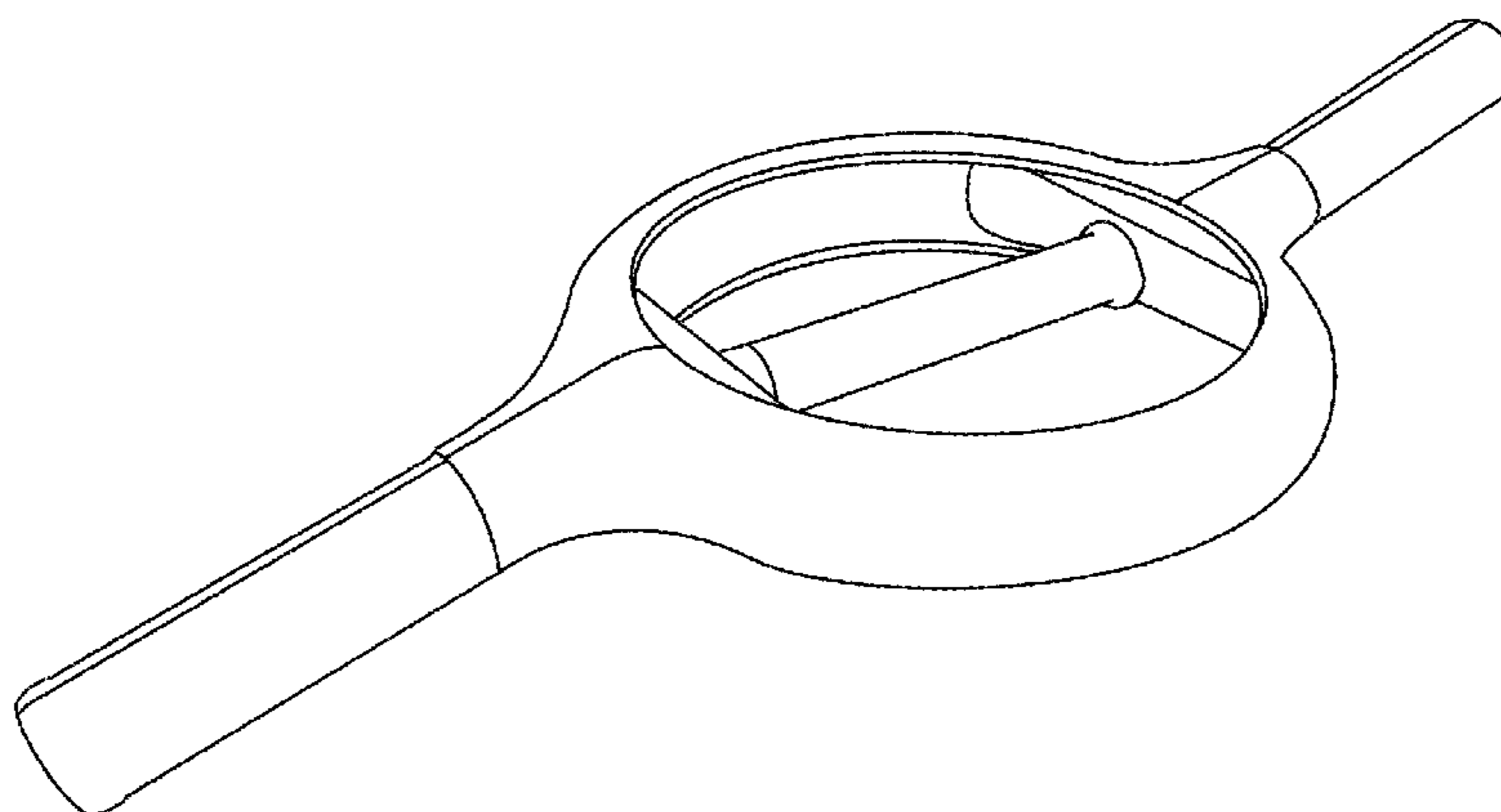
(57) **CLAIM**

The ornamental design for an angled rotating grip, as shown and described.

**DESCRIPTION**

FIG. 1 is a front, right-side, bottom perspective view of the angled rotating grip showing my new design;  
FIG. 2 is a front view, with the opposite side a mirror image thereof;  
FIG. 3 is a right-side view thereof;  
FIG. 4 is a left-side view thereof;  
FIG. 5 is a bottom view thereof;  
FIG. 6 is a perspective view of the rotating grip with the grip rotated at a different angle shown attached to a paddle.  
FIG. 7 is a front view thereof with the angled grip rotated 45-degrees; and,  
FIG. 8 is a perspective view of two angled rotating grips with the grips rotated at different angles and attached to paddles showing one intended use.  
The broken lines shown FIG. 6, illustrate environmental structure that form no part of the claimed design.

**1 Claim, 8 Drawing Sheets**



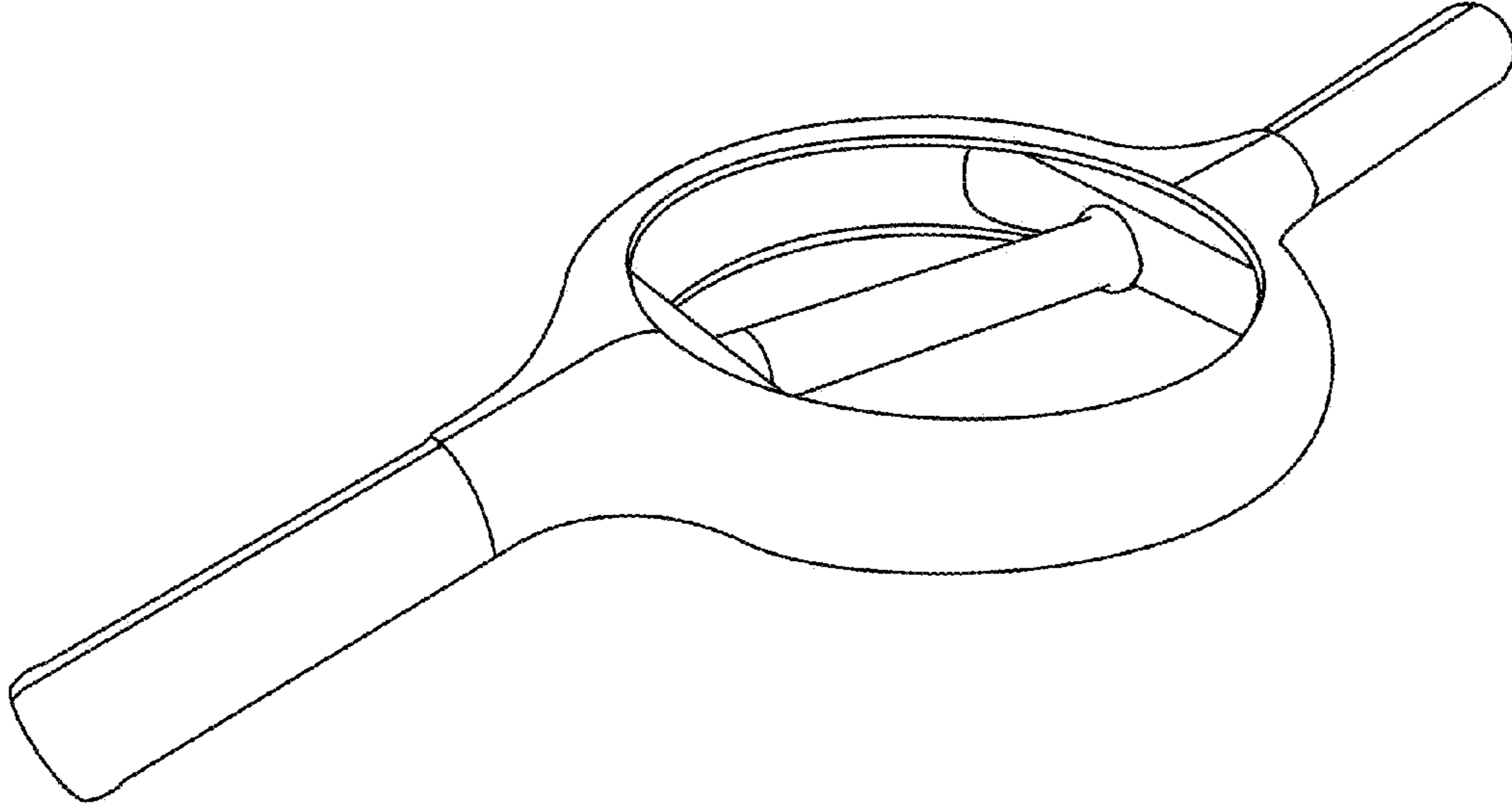


Figure 1

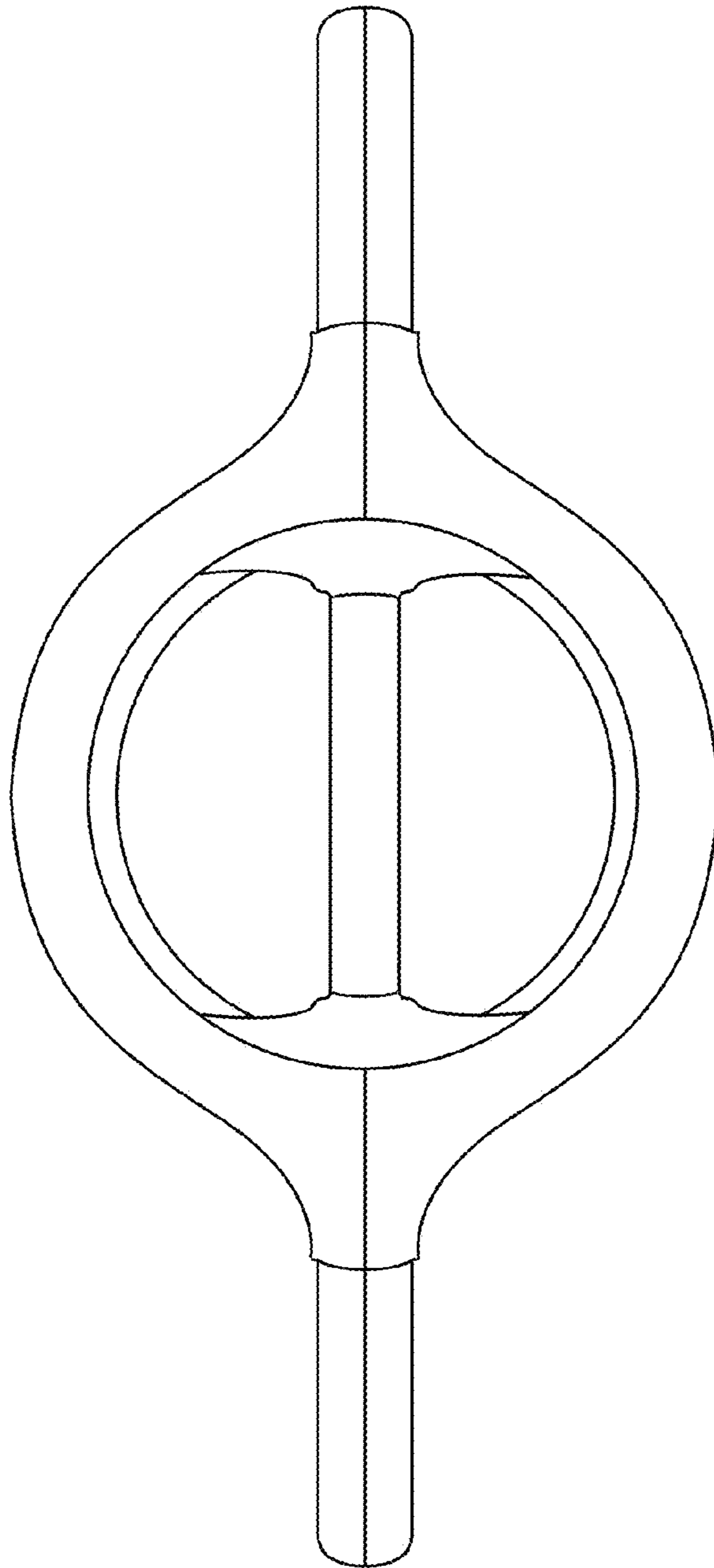


Figure 2

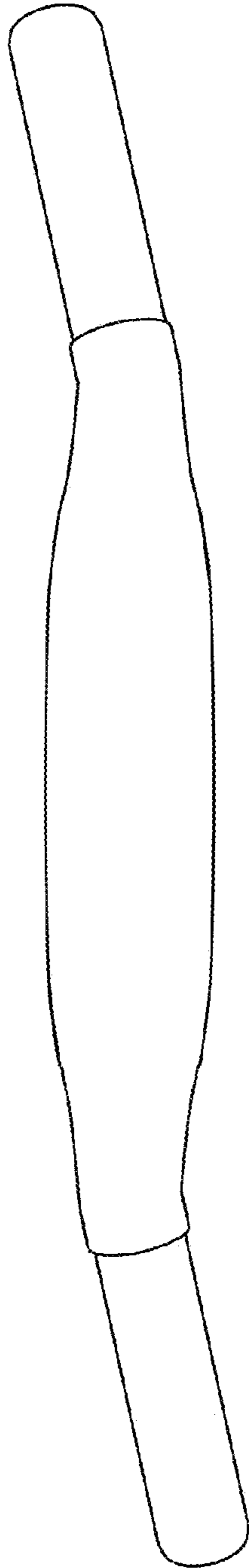


Figure 3

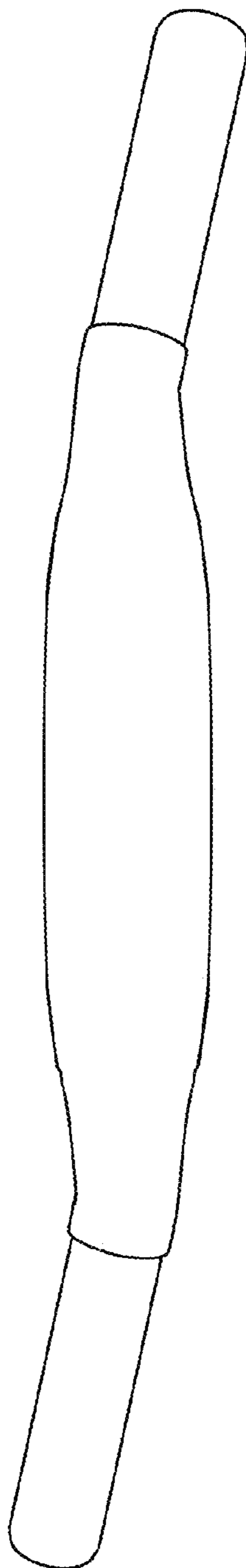


Figure 4

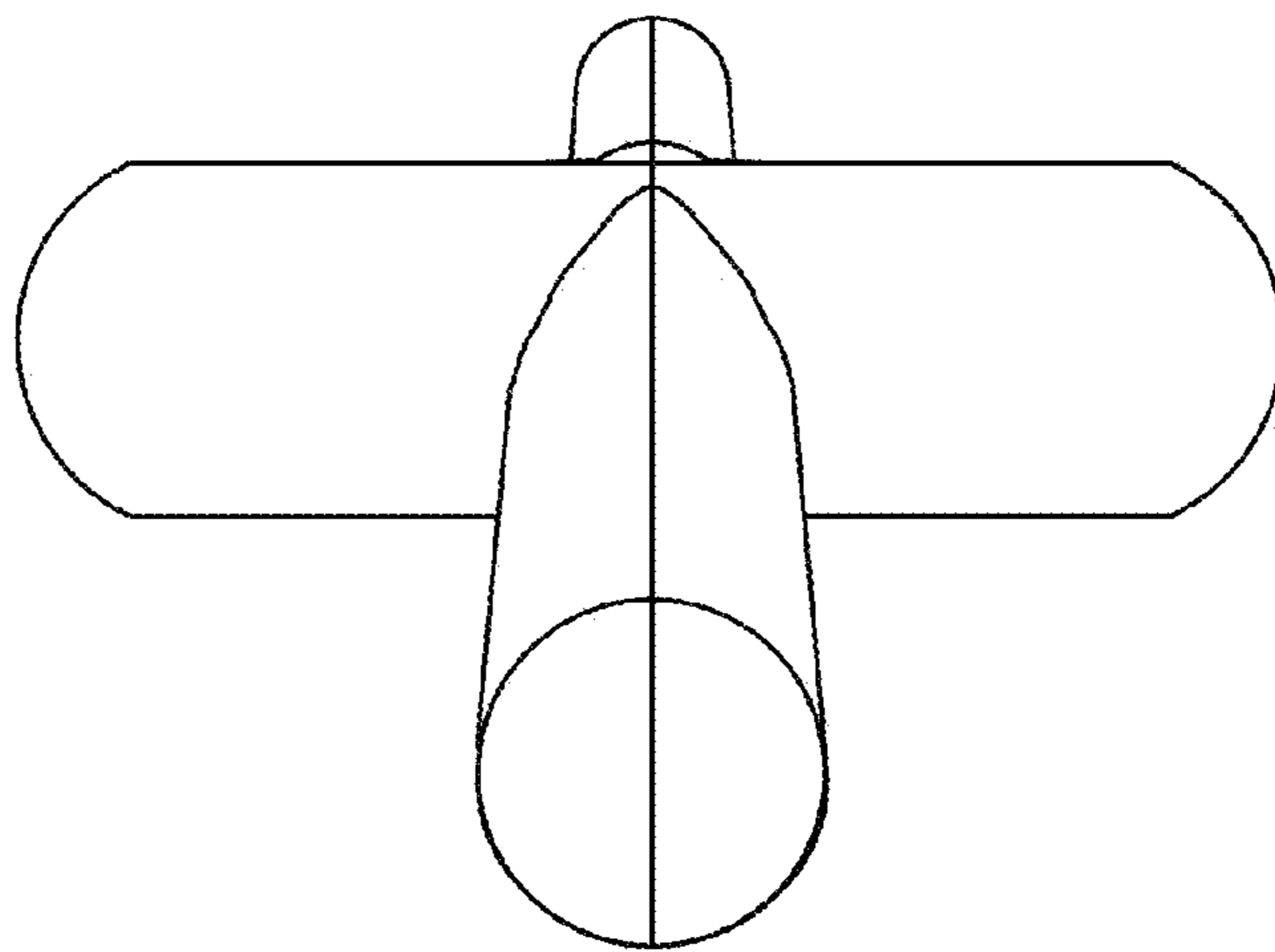


Figure 5

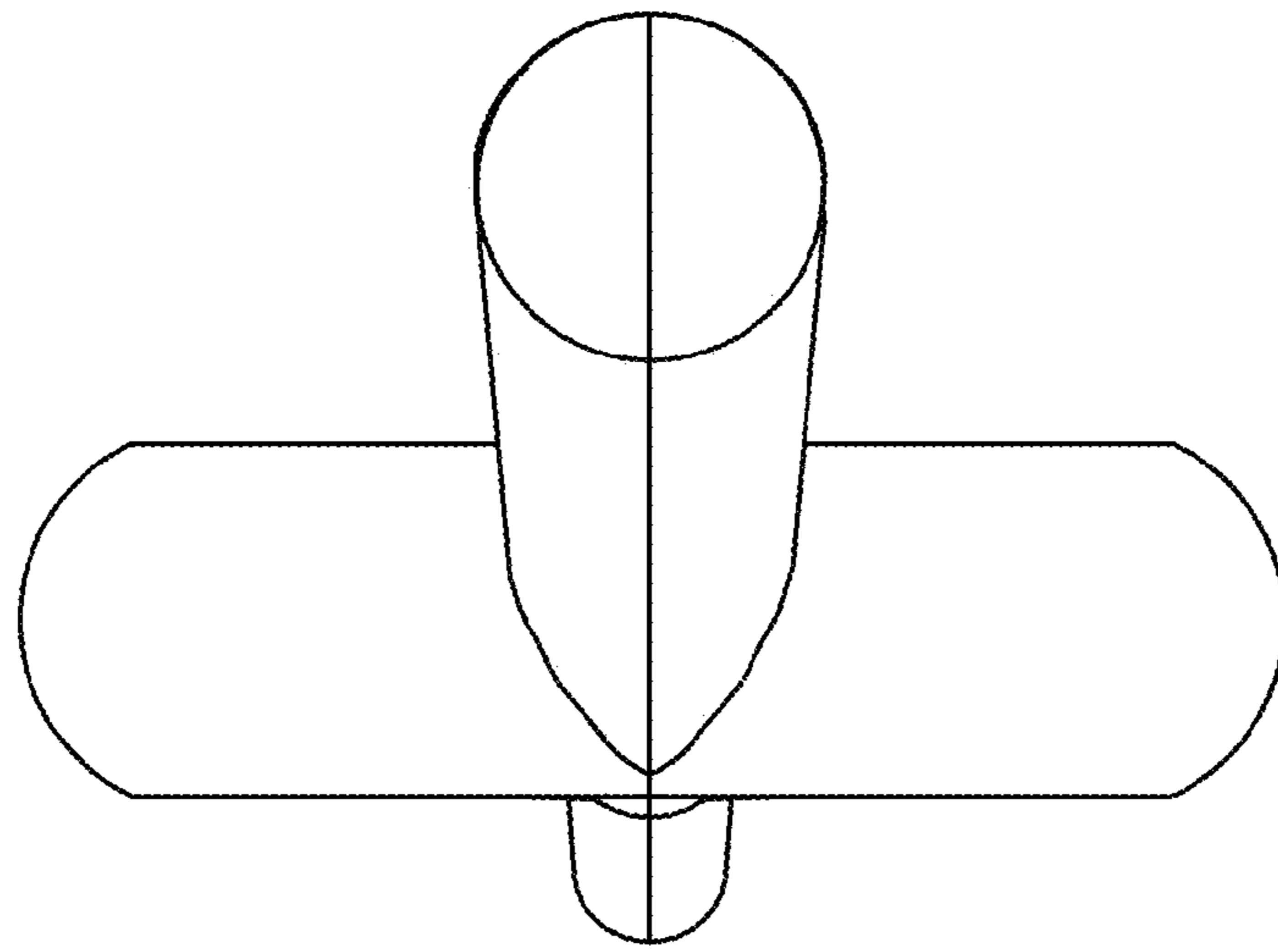


Figure 6

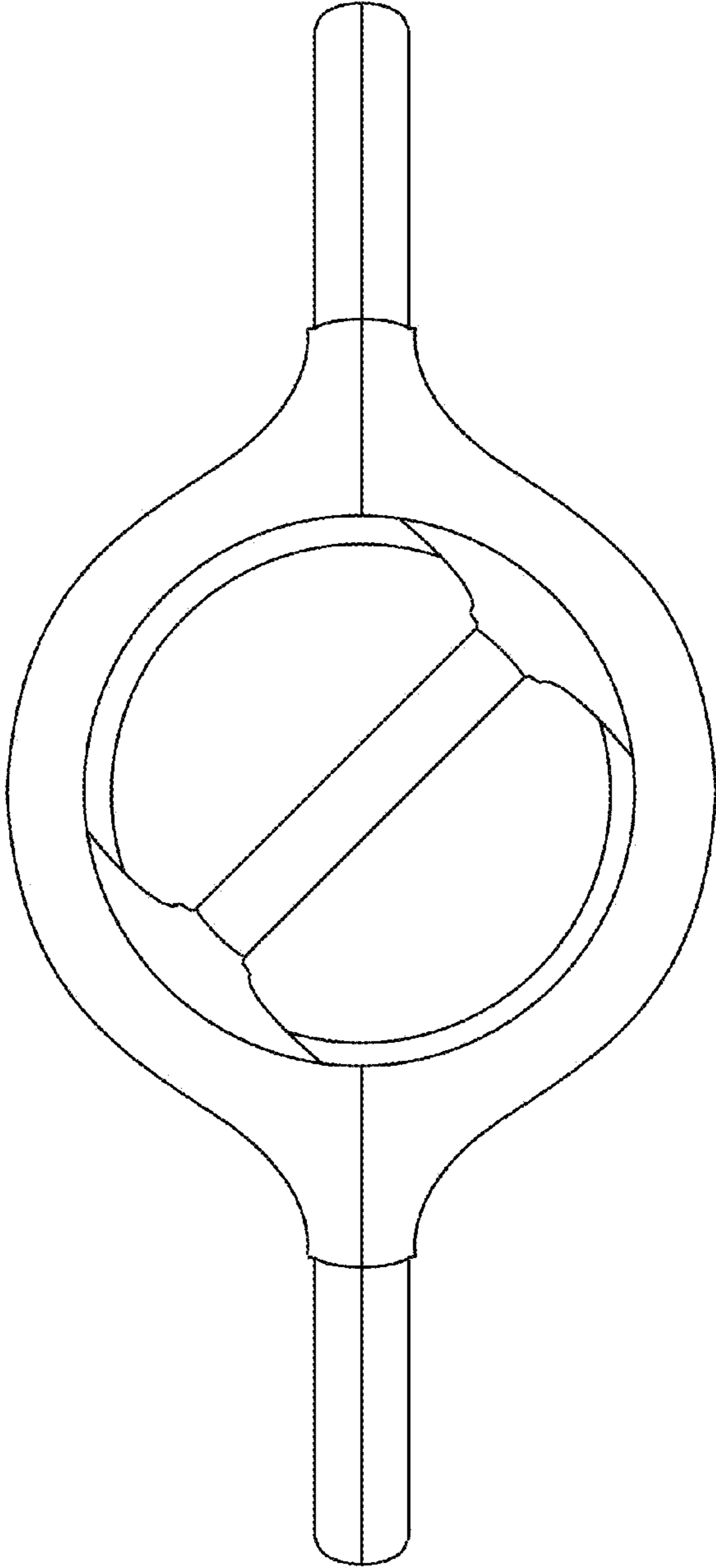


Figure 7



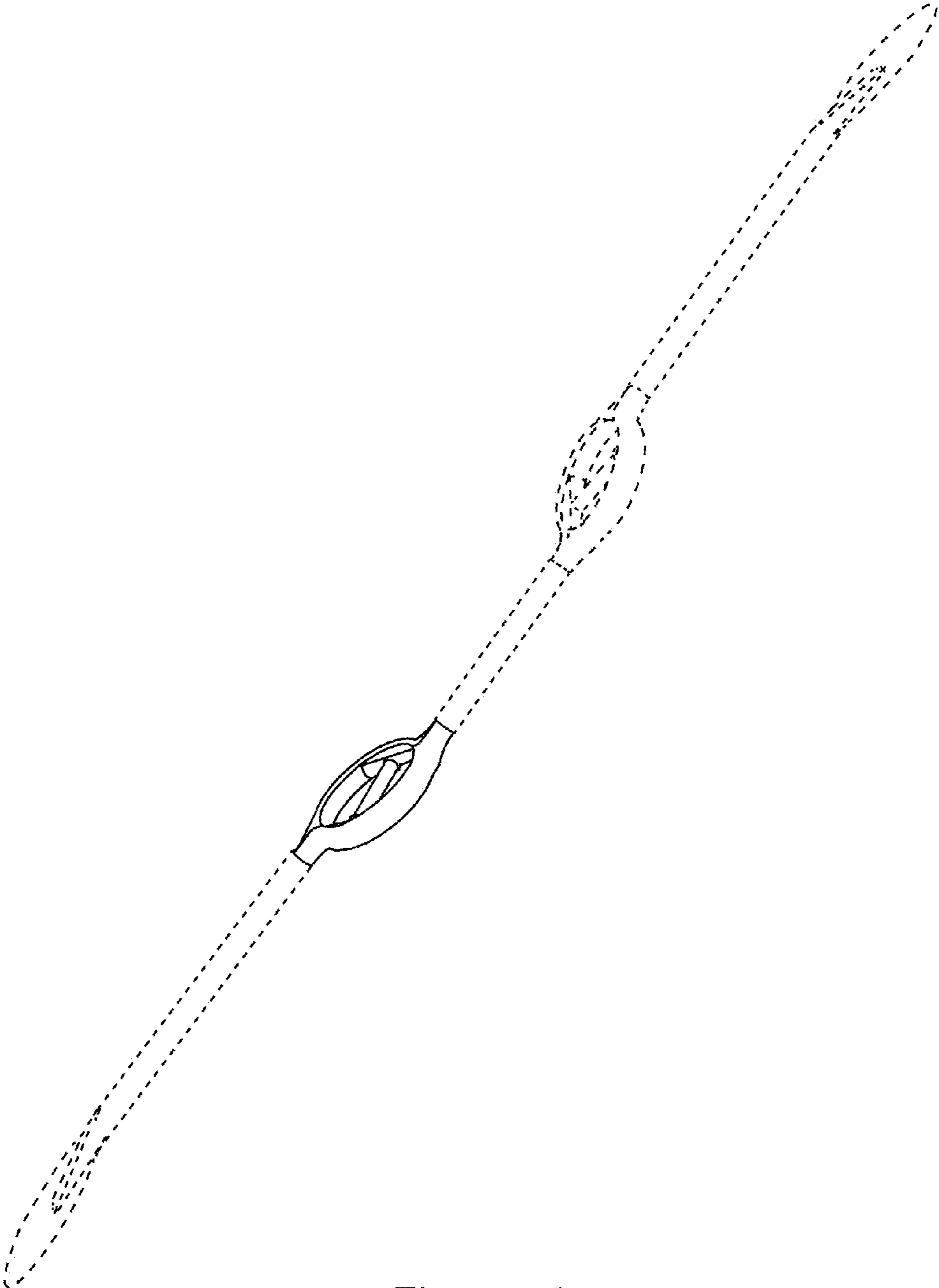


Figure 8