



US00D763165S

(12) **United States Design Patent**  
**Hans et al.**

(10) **Patent No.:** **US D763,165 S**  
(45) **Date of Patent:** **\*\* Aug. 9, 2016**

(54) **WHEEL OR WHEEL COVER**

(71) Applicant: **Daimler AG**, Stuttgart (DE)

(72) Inventors: **Bernhard Hans**, Kirchberg (DE); **Kai Hilpert**, Plochingen (DE)

(73) Assignee: **Daimler AG**, Stuttgart (DE)

(\*\*) Term: **15 Years**

(21) Appl. No.: **29/536,977**

(22) Filed: **Aug. 21, 2015**

(30) **Foreign Application Priority Data**

Feb. 26, 2015 (WO) ..... DM/085744

(51) **LOC (10) Cl.** ..... **12-16**

(52) **U.S. Cl.**  
USPC ..... **D12/211**

(58) **Field of Classification Search**  
USPC ..... D12/204–213  
CPC ..... B60B 7/00; B60B 7/02; B60B 7/04;  
B60B 7/01; B60B 7/06; B60B 3/02; B60B  
3/04; B60B 3/06; B60B 3/10; B60B 1/00;  
B60B 1/08; B60B 1/10; B60B 1/12

See application file for complete search history.

(56) **References Cited**

U.S. PATENT DOCUMENTS

|              |         |                 |         |
|--------------|---------|-----------------|---------|
| D567,738 S * | 4/2008  | Habib .....     | D12/211 |
| D628,136 S * | 11/2010 | Leclercq .....  | D12/211 |
| D639,227 S * | 6/2011  | Leclercq .....  | D12/211 |
| D666,953 S * | 9/2012  | Pollmann .....  | D12/209 |
| D668,197 S * | 10/2012 | Gotschke .....  | D12/211 |
| D670,636 S * | 11/2012 | Juergens .....  | D12/211 |
| D671,481 S * | 11/2012 | Amezketta ..... | D12/211 |
| D683,685 S * | 6/2013  | Pollmann .....  | D12/211 |
| D687,757 S * | 8/2013  | Lemke .....     | D12/211 |
| D695,198 S * | 12/2013 | Juergens .....  | D12/211 |
| D697,017 S * | 1/2014  | Holstein .....  | D12/211 |
| D720,274 S * | 12/2014 | Mielke .....    | D12/211 |
| D723,996 S * | 3/2015  | Zhao .....      | D12/211 |
| D731,388 S * | 6/2015  | Gotschke .....  | D12/211 |
| D733,633 S * | 7/2015  | Gardavsky ..... | D12/211 |
| D746,211 S * | 12/2015 | Carter .....    | D12/211 |

\* cited by examiner

*Primary Examiner* — Stacia Cadmus

(74) *Attorney, Agent, or Firm* — Crowell & Moring LLP

(57) **CLAIM**

The ornamental design for a wheel or wheel cover, as shown and described.

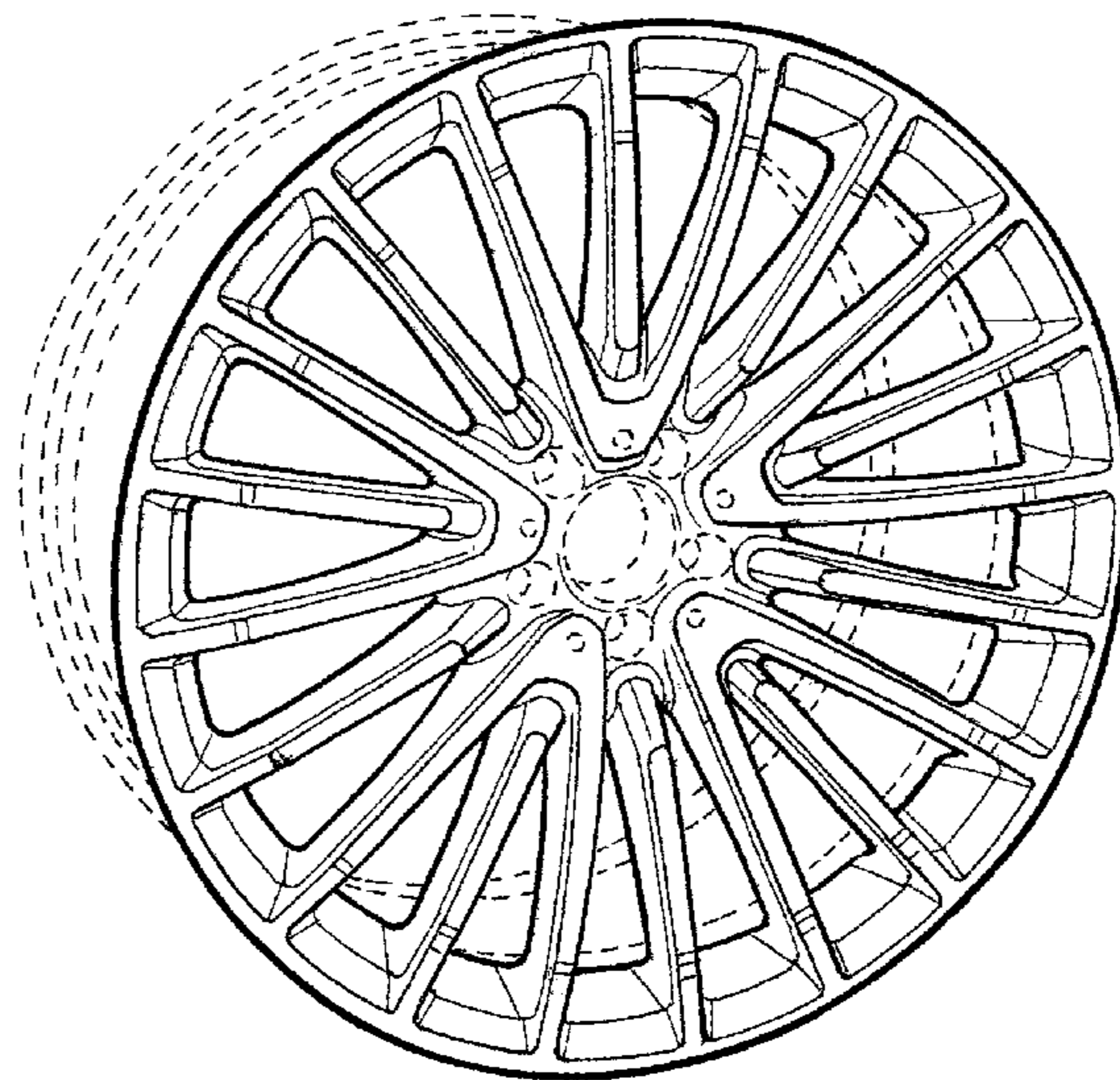
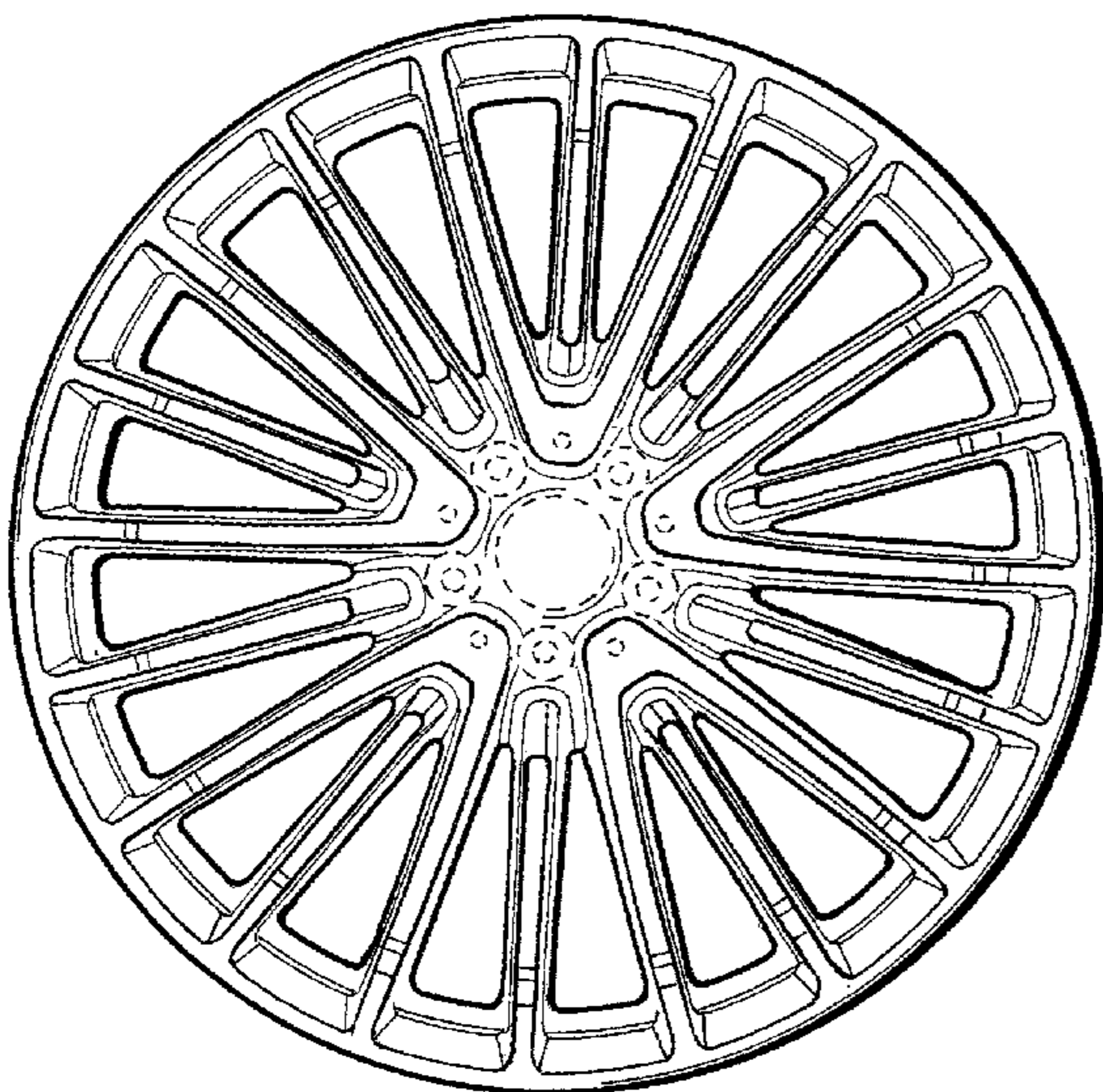
**DESCRIPTION**

FIG. 1 is a front view of a wheel or wheel cover according to the design; and,

FIG. 2 is a perspective view thereof.

The broken lines are for illustrative purposes only and form no part of the claimed design.

**1 Claim, 1 Drawing Sheet**



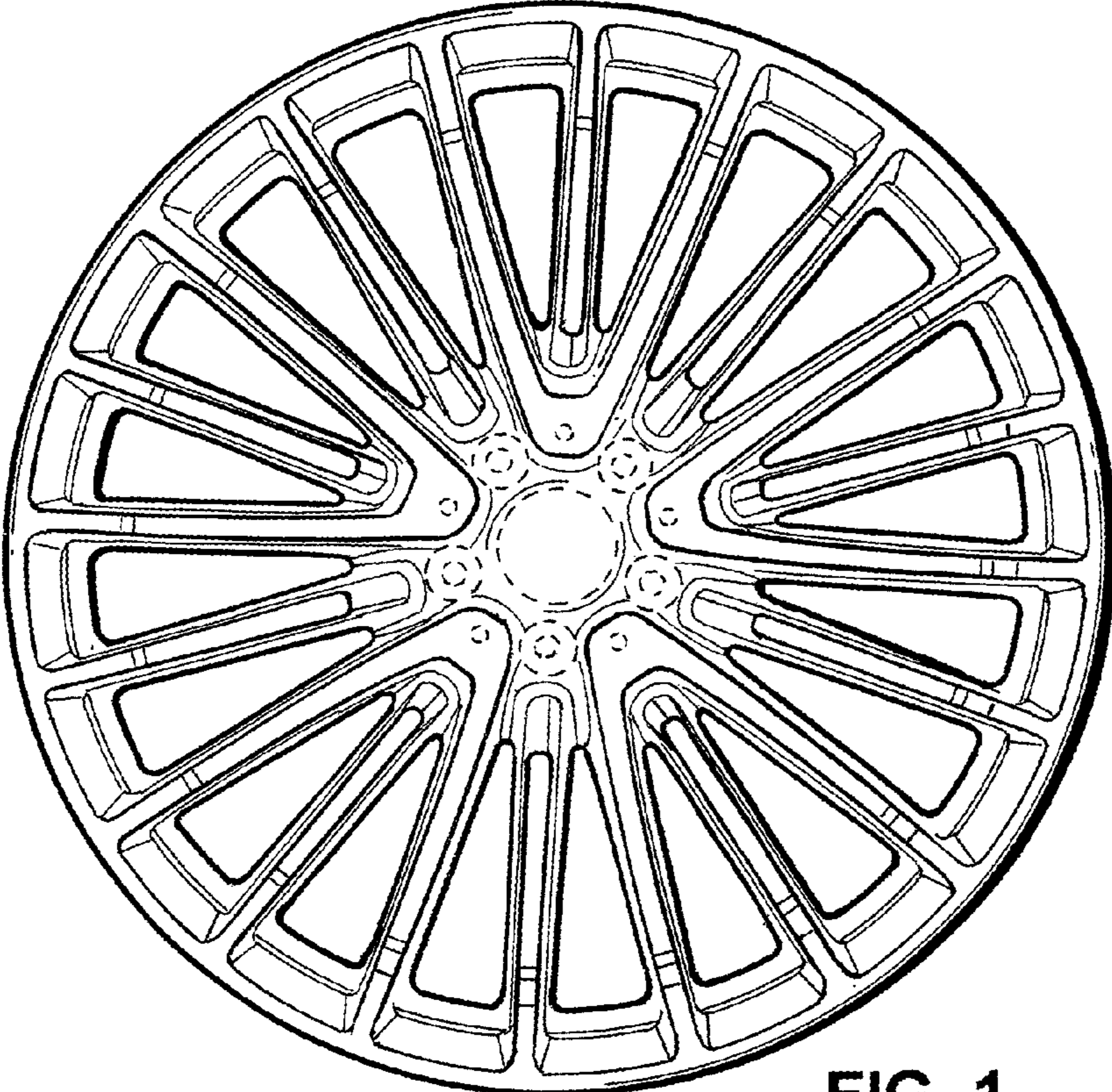


FIG. 1

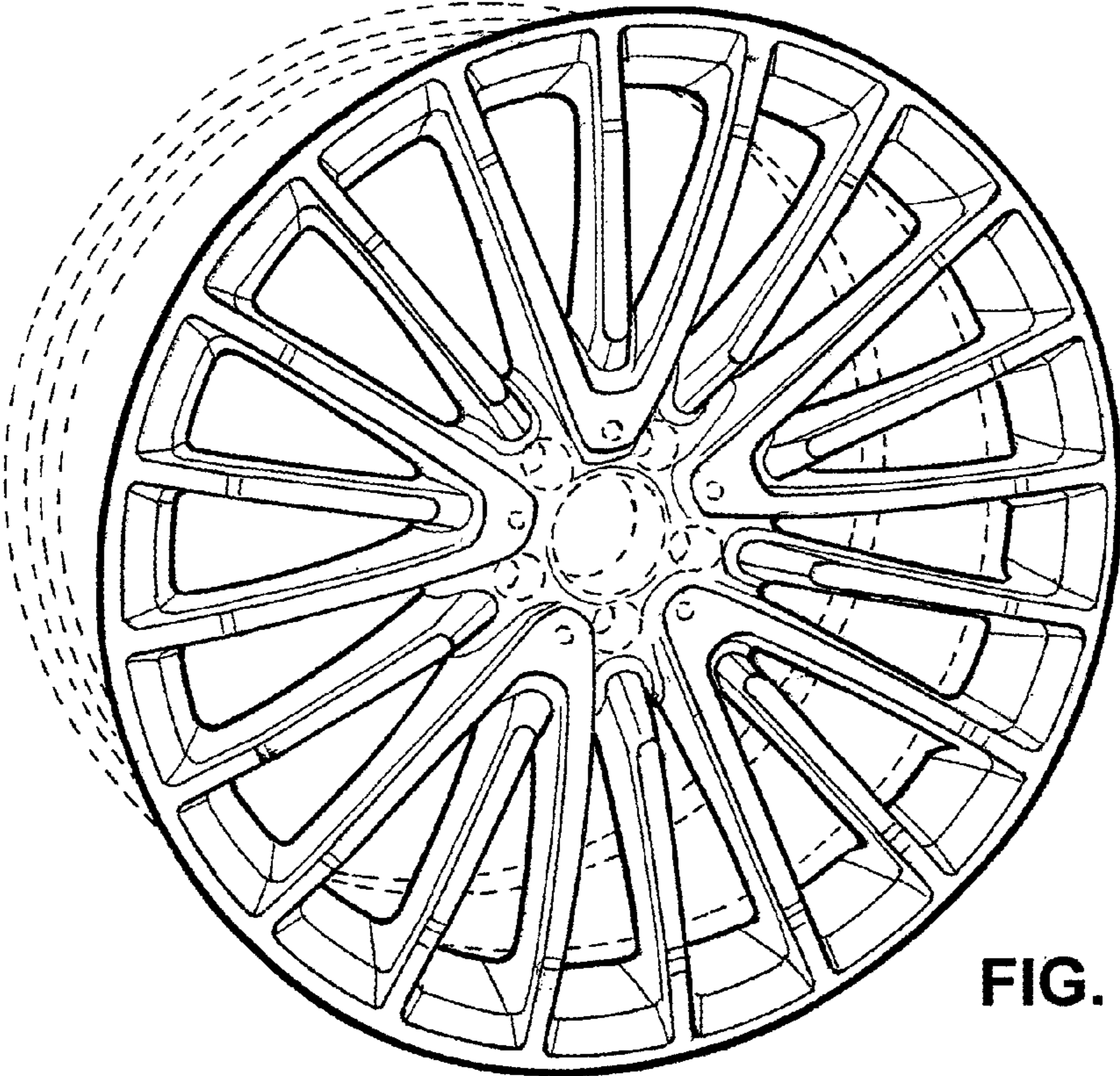


FIG. 2