



US00D763164S

(12) **United States Design Patent**
Chung

(10) **Patent No.:** **US D763,164 S**

(45) **Date of Patent:** **** Aug. 9, 2016**

(54) **AUTOMOTIVE WHEEL**

(71) Applicant: **Suny Chung**, Anaheim, CA (US)

(72) Inventor: **Suny Chung**, Anaheim, CA (US)

(**) Term: **15 Years**

(21) Appl. No.: **29/536,277**

(22) Filed: **Aug. 14, 2015**

(51) **LOC (10) Cl.** **12-16**

(52) **U.S. Cl.**
USPC **D12/211**

(58) **Field of Classification Search**
USPC D12/204–213
CPC B60B 7/00; B60B 7/02; B60B 7/04;
B60B 7/01; B60B 7/06; B60B 3/02; B60B
3/04; B60B 3/06; B60B 3/10; B60B 1/00;
B60B 1/08; B60B 1/10; B60B 1/12
See application file for complete search history.

(56) **References Cited**

U.S. PATENT DOCUMENTS

D526,947 S * 8/2006 Kim D12/209
D546,748 S * 7/2007 Young D12/211

D569,323 S * 5/2008 Laengerer D12/211
D606,922 S * 12/2009 Thorsten D12/211
D617,723 S * 6/2010 Zhao D12/211
D655,234 S * 3/2012 Zhao D12/211
D670,226 S * 11/2012 Muller D12/211
D686,134 S * 7/2013 Amezketa D12/211
D708,110 S * 7/2014 Borkert D12/211
D733,632 S * 7/2015 Juergens D12/211
D751,485 S * 3/2016 Chung D12/209
D754,581 S * 4/2016 Gallert D12/209
D756,286 S * 5/2016 Zhao D12/211

* cited by examiner

Primary Examiner — Stacia Cadmus

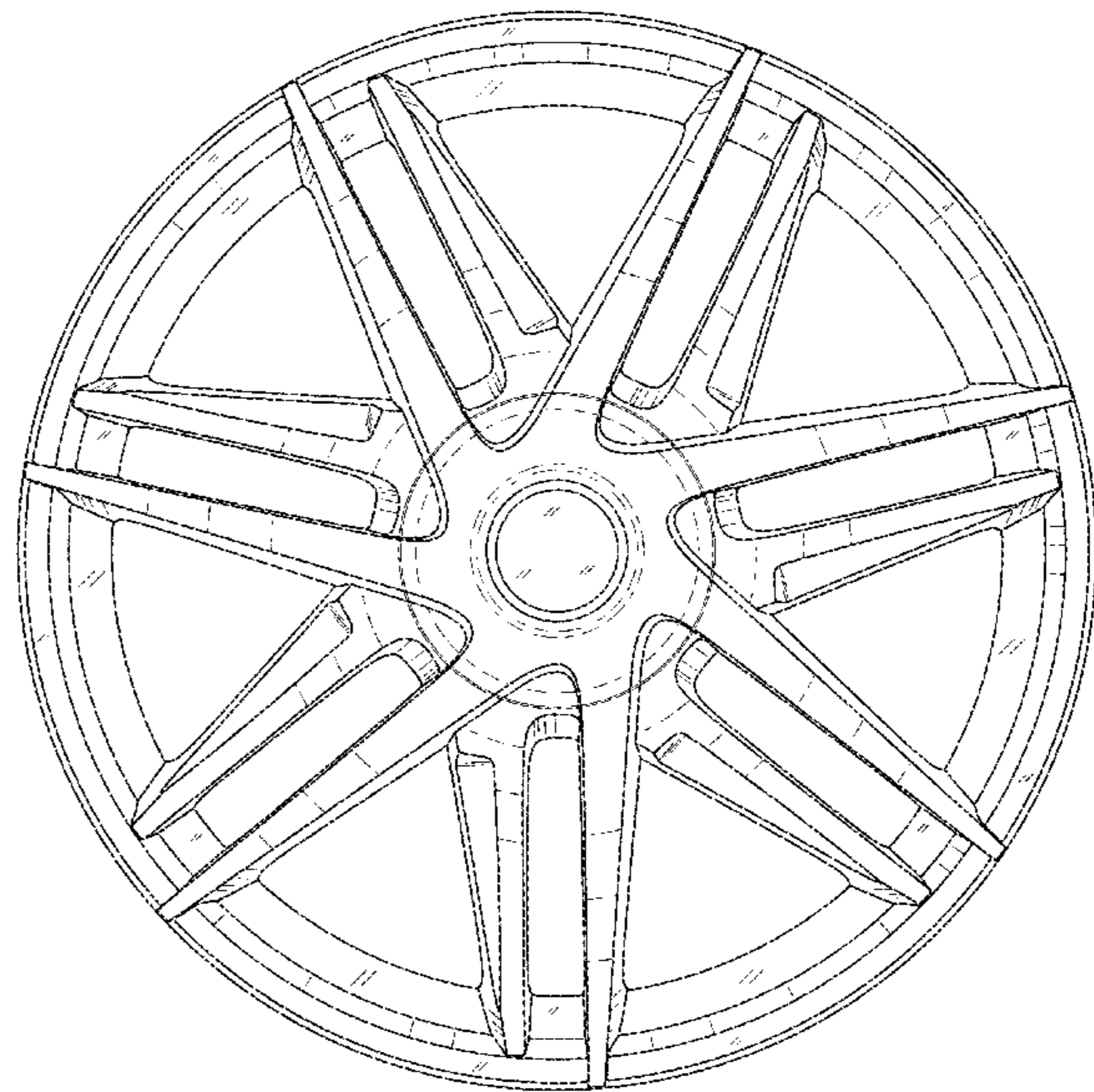
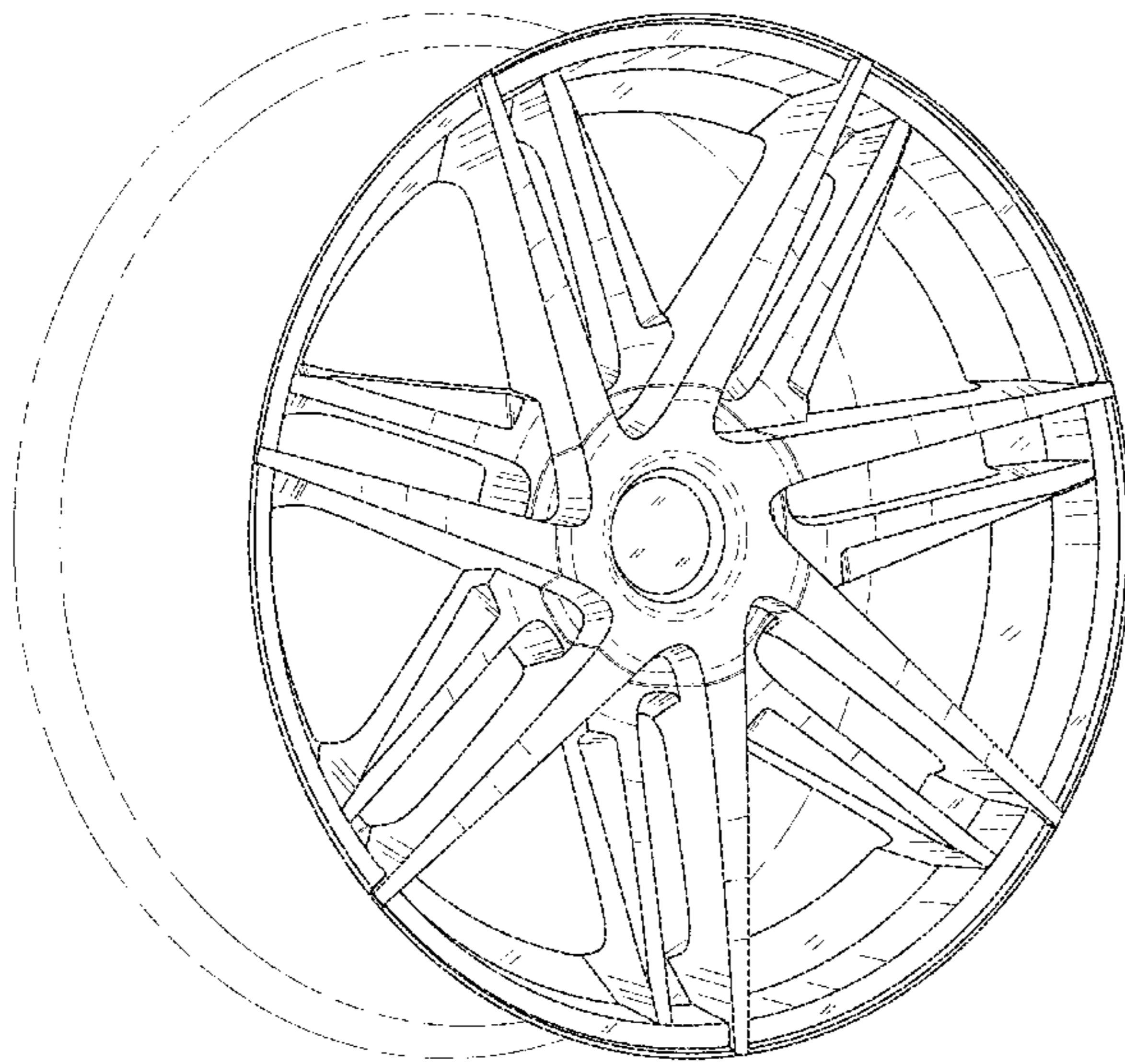
(57) **CLAIM**

The ornamental design for an automotive wheel, as shown and described.

DESCRIPTION

FIG. 1 is a perspective view of an automotive wheel, showing my new design; and, FIG. 2 is a front view thereof. The broken line showing of the rear portion of the wheel is included for the purpose of illustrating environment and forms no part of the claimed design.

1 Claim, 2 Drawing Sheets



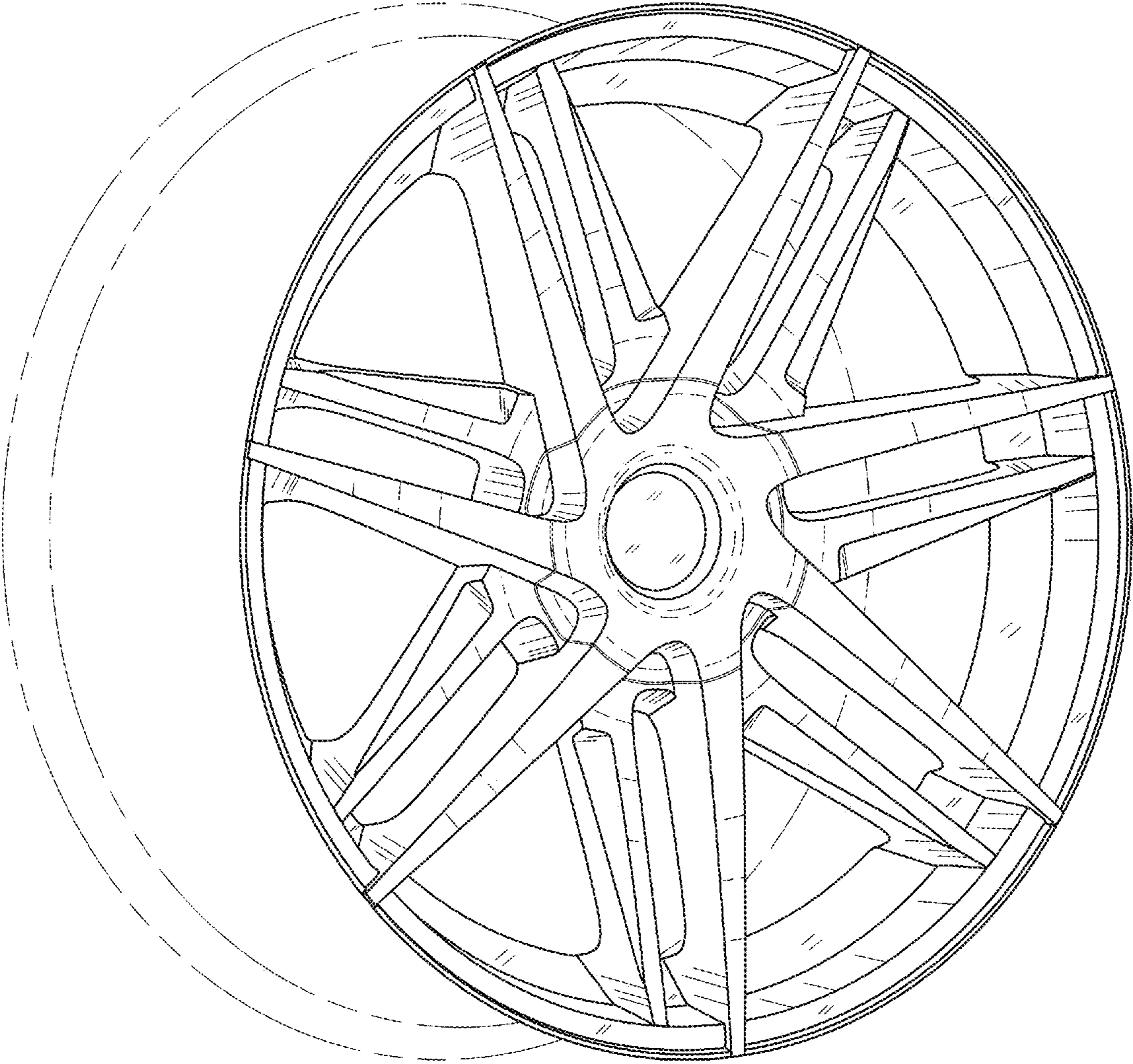


FIGURE 1

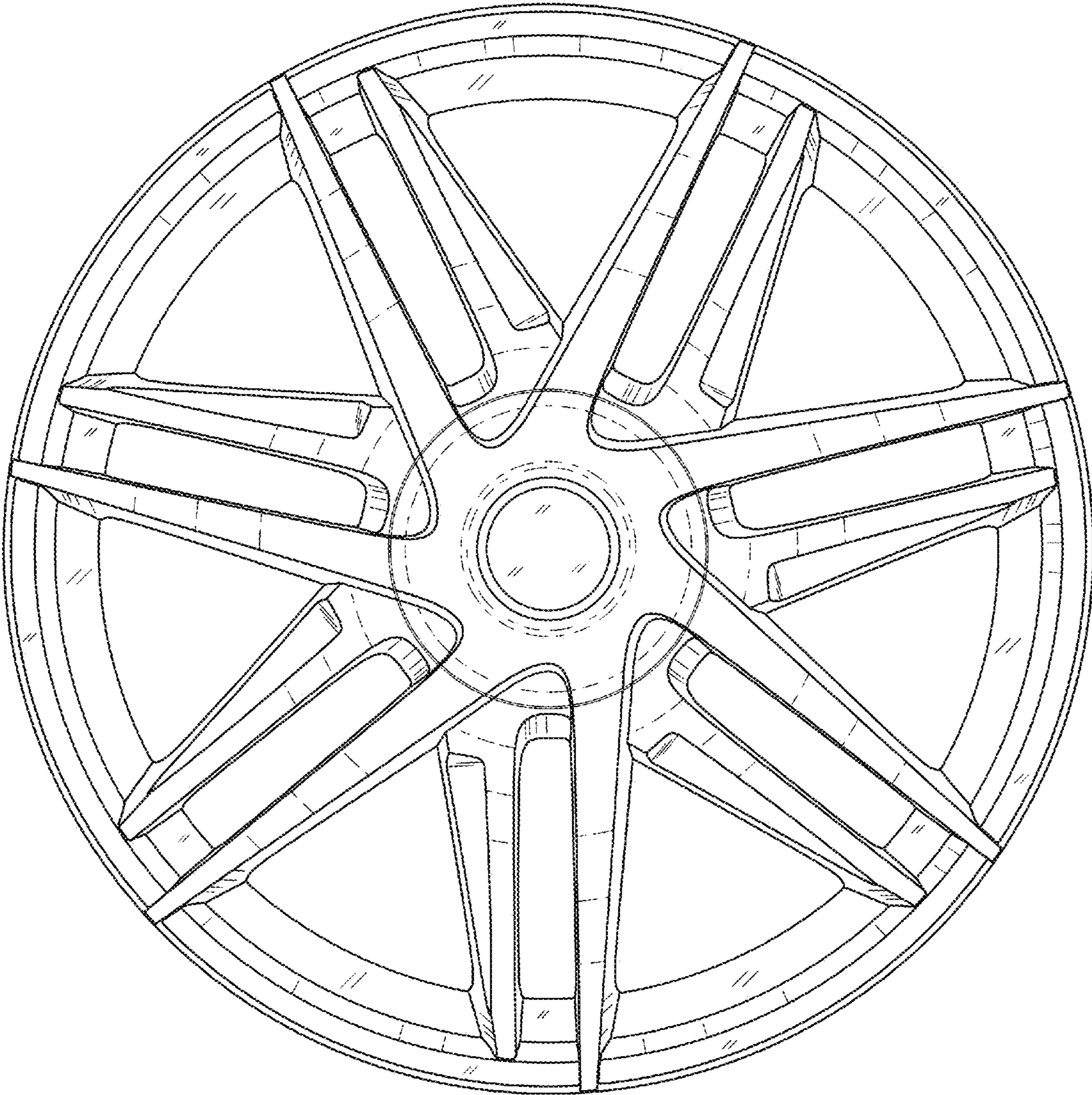


FIGURE 2