



US00D763163S

(12) **United States Design Patent**  
**Chung**

(10) **Patent No.:** **US D763,163 S**

(45) **Date of Patent:** **\*\* Aug. 9, 2016**

(54) **AUTOMOTIVE WHEEL**

(71) Applicant: **Suny Chung**, Anaheim, CA (US)

(72) Inventor: **Suny Chung**, Anaheim, CA (US)

(\*\*) Term: **15 Years**

(21) Appl. No.: **29/531,660**

(22) Filed: **Jun. 29, 2015**

(51) **LOC (10) Cl.** ..... **12-16**

(52) **U.S. Cl.**  
USPC ..... **D12/211**

(58) **Field of Classification Search**  
USPC ..... D12/204–213  
CPC ..... B60B 7/00; B60B 7/02; B60B 7/04;  
B60B 7/01; B60B 7/06; B60B 3/02; B60B  
3/04; B60B 3/06; B60B 3/10; B60B 1/00;  
B60B 1/08; B60B 1/10; B60B 1/12  
See application file for complete search history.

(56) **References Cited**

**U.S. PATENT DOCUMENTS**

D422,258 S	*	4/2000	Hale, Jr.	.....	D12/211
D482,307 S	*	11/2003	Lee	.....	D12/211
D535,606 S	*	1/2007	Hernandez	.....	D12/211
D548,165 S	*	8/2007	Young	.....	D12/211

D551,148 S	*	9/2007	Musser	.....	D12/211
D569,778 S	*	5/2008	Kim	.....	D12/211
D578,458 S	*	10/2008	Cortes	.....	D12/211
D590,315 S	*	4/2009	Chung	.....	D12/209
D624,863 S	*	10/2010	Zhao	.....	D12/211
D683,686 S	*	6/2013	Alfonso	.....	D12/211
D704,124 S	*	5/2014	Hale, Jr.	.....	D12/211
D722,548 S	*	2/2015	Chung	.....	D12/211
D726,630 S	*	4/2015	Kong	.....	D12/211
D727,829 S	*	4/2015	Chung	.....	D12/211
D737,191 S	*	8/2015	Chung	.....	D12/211

\* cited by examiner

*Primary Examiner* — Stacia Cadmus

(57) **CLAIM**

The ornamental design for an automotive wheel, as shown and described.

**DESCRIPTION**

FIG. 1 is a perspective view of an automotive wheel, showing my new design;

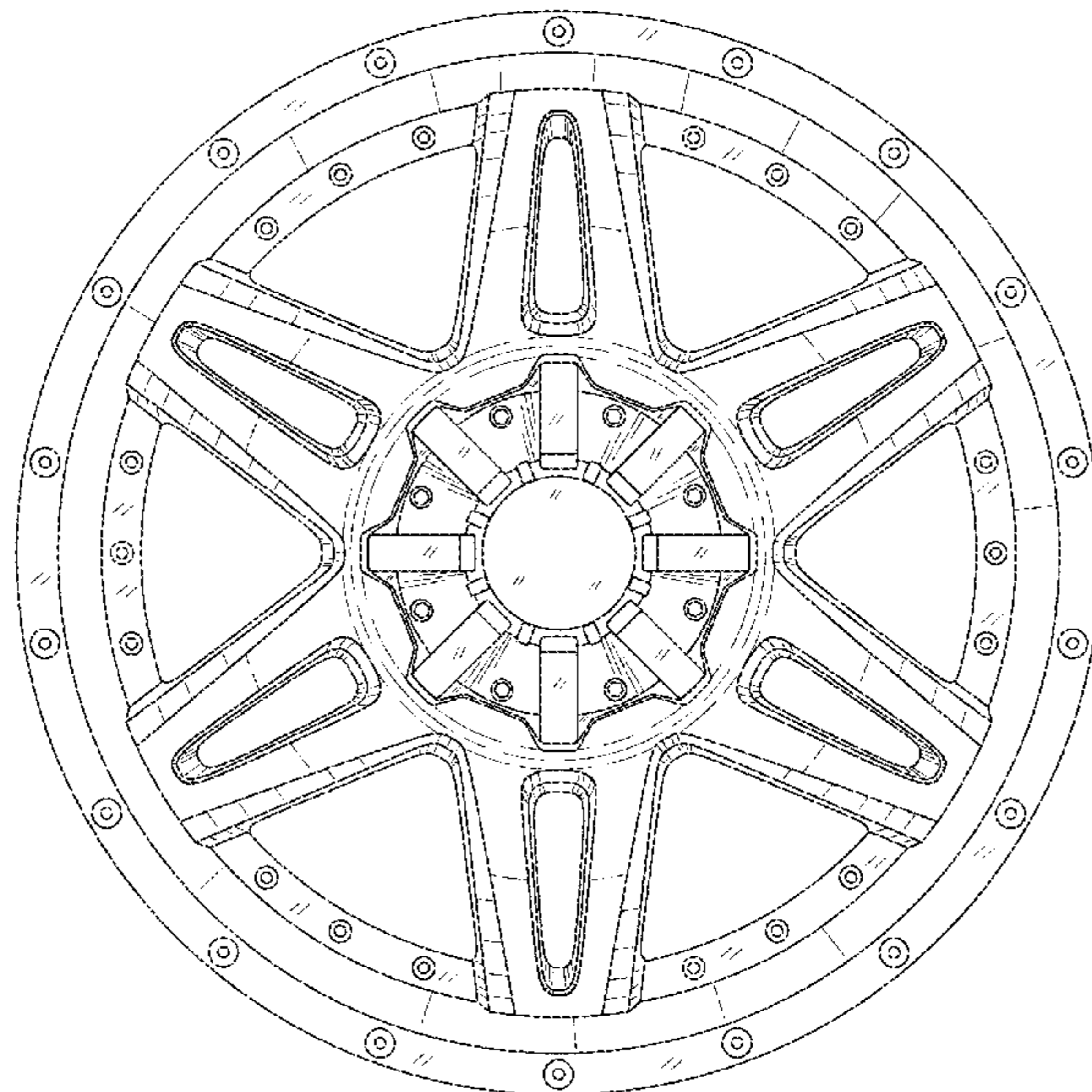
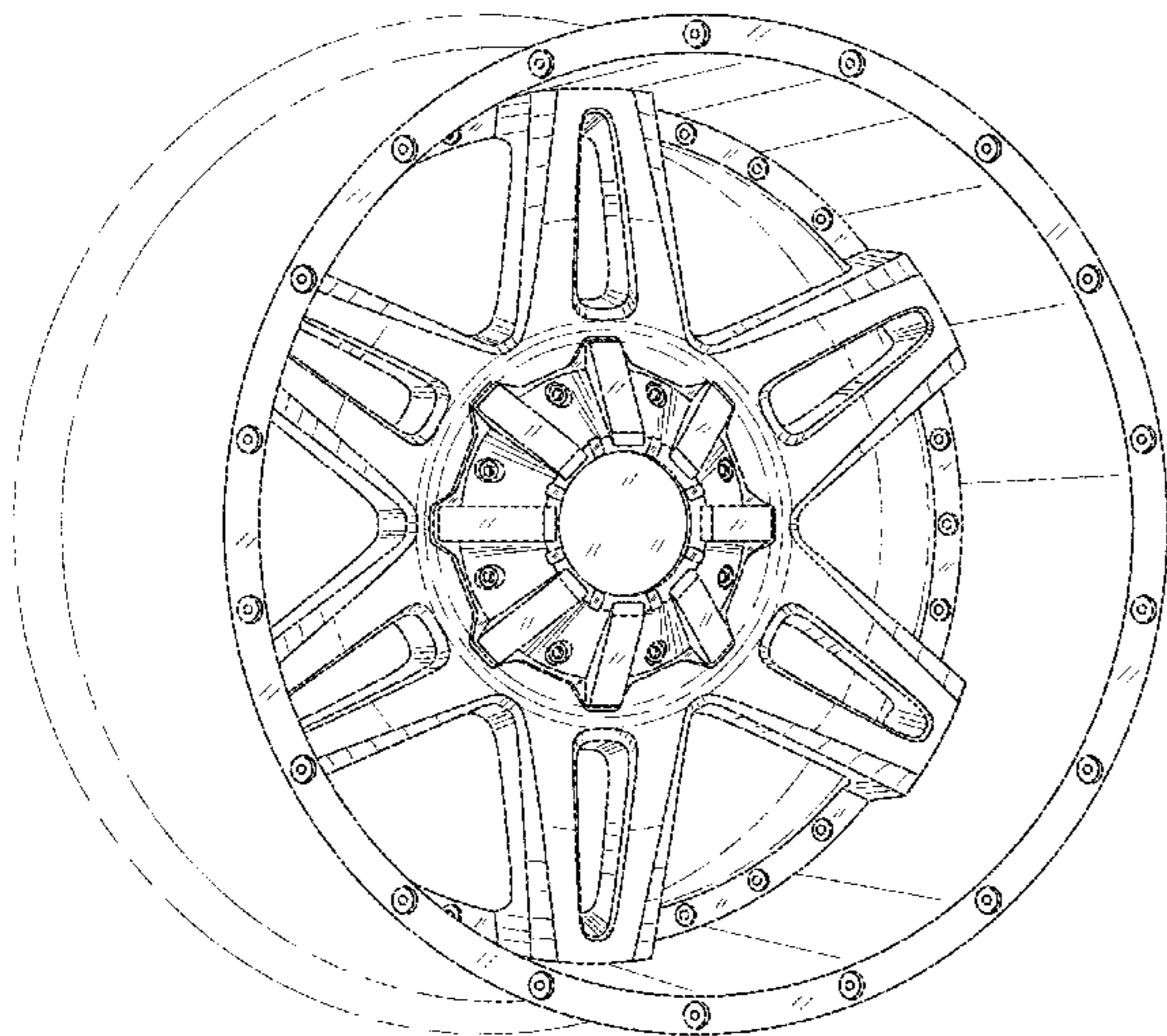
FIG. 2 is a front view thereof;

FIG. 3 is a perspective view of a second embodiment of an automotive wheel; and,

FIG. 4 is a front view of FIG. 3.

The broken line showing of the rear portion of the wheel is included for the purpose of illustrating environment and forms no part of the claimed design.

**1 Claim, 4 Drawing Sheets**



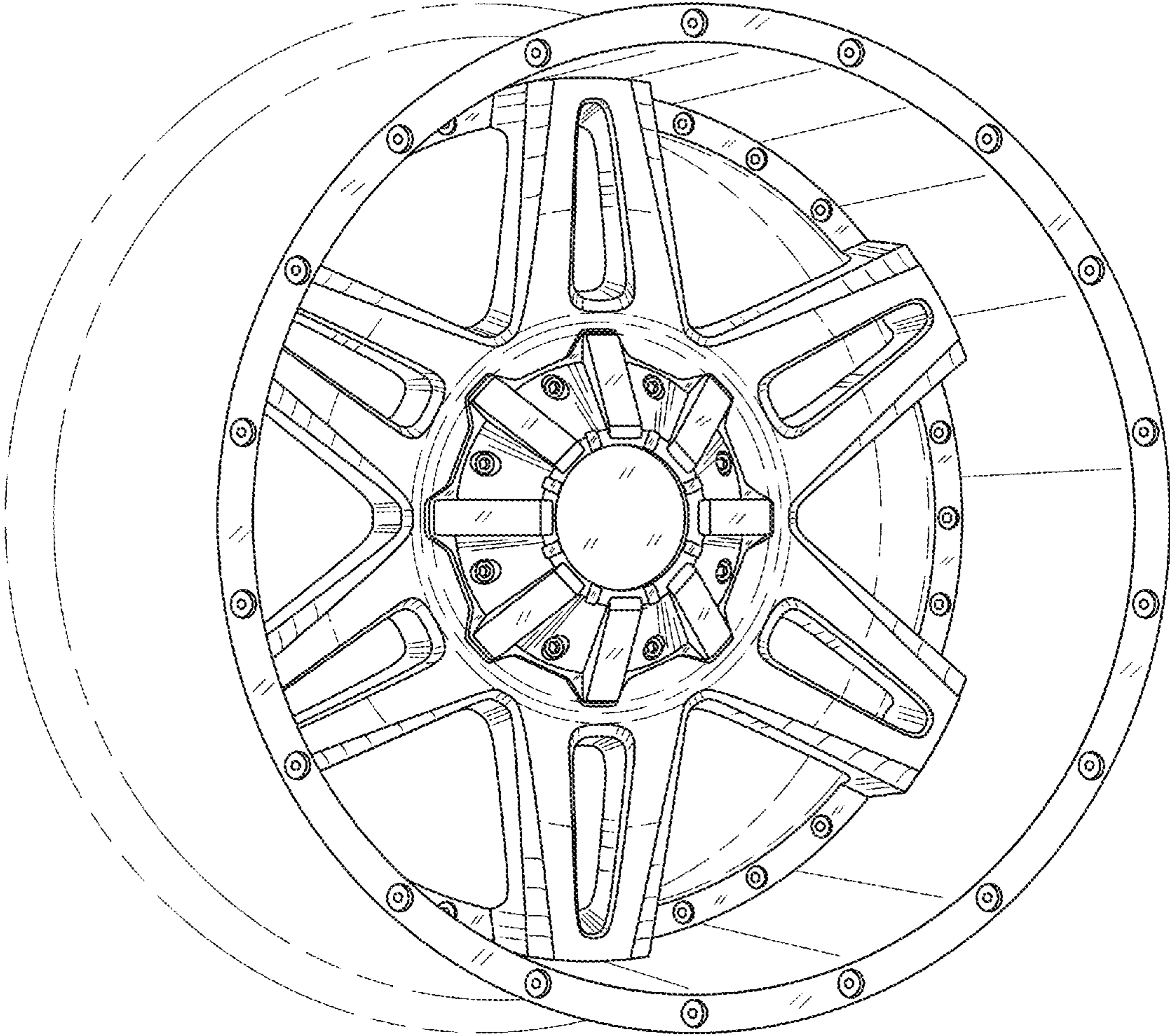


FIGURE 1

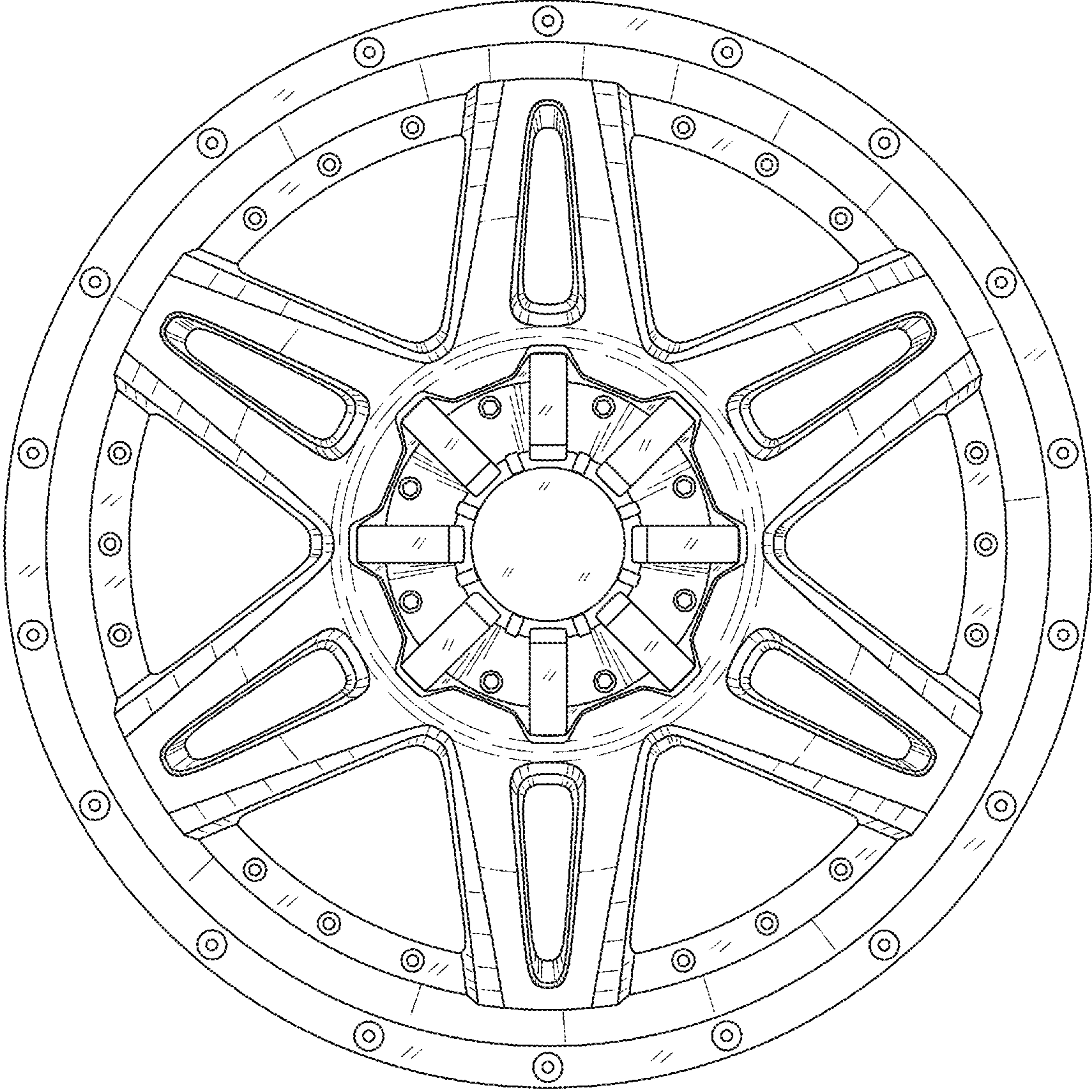


FIGURE 2

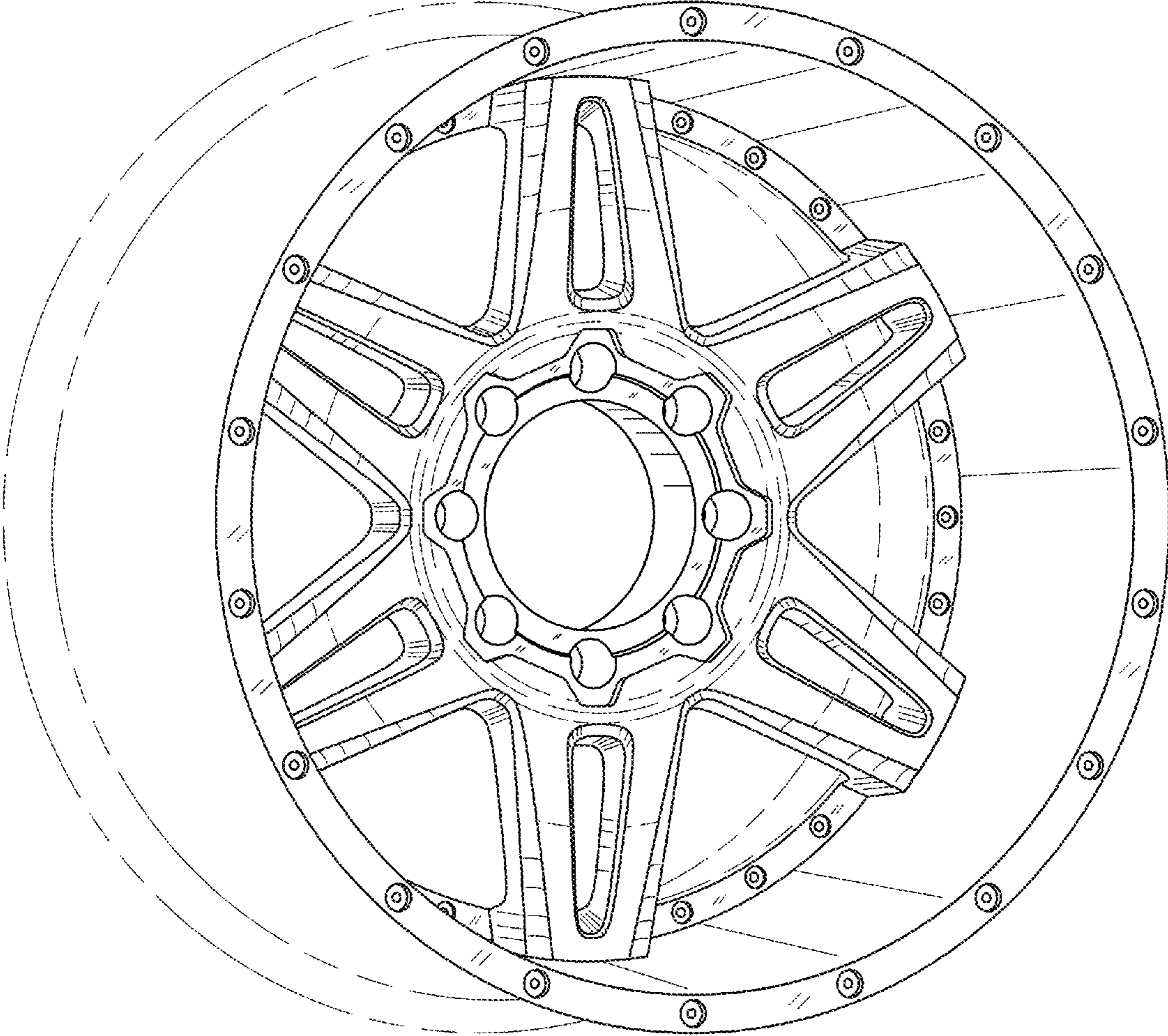


FIGURE 3

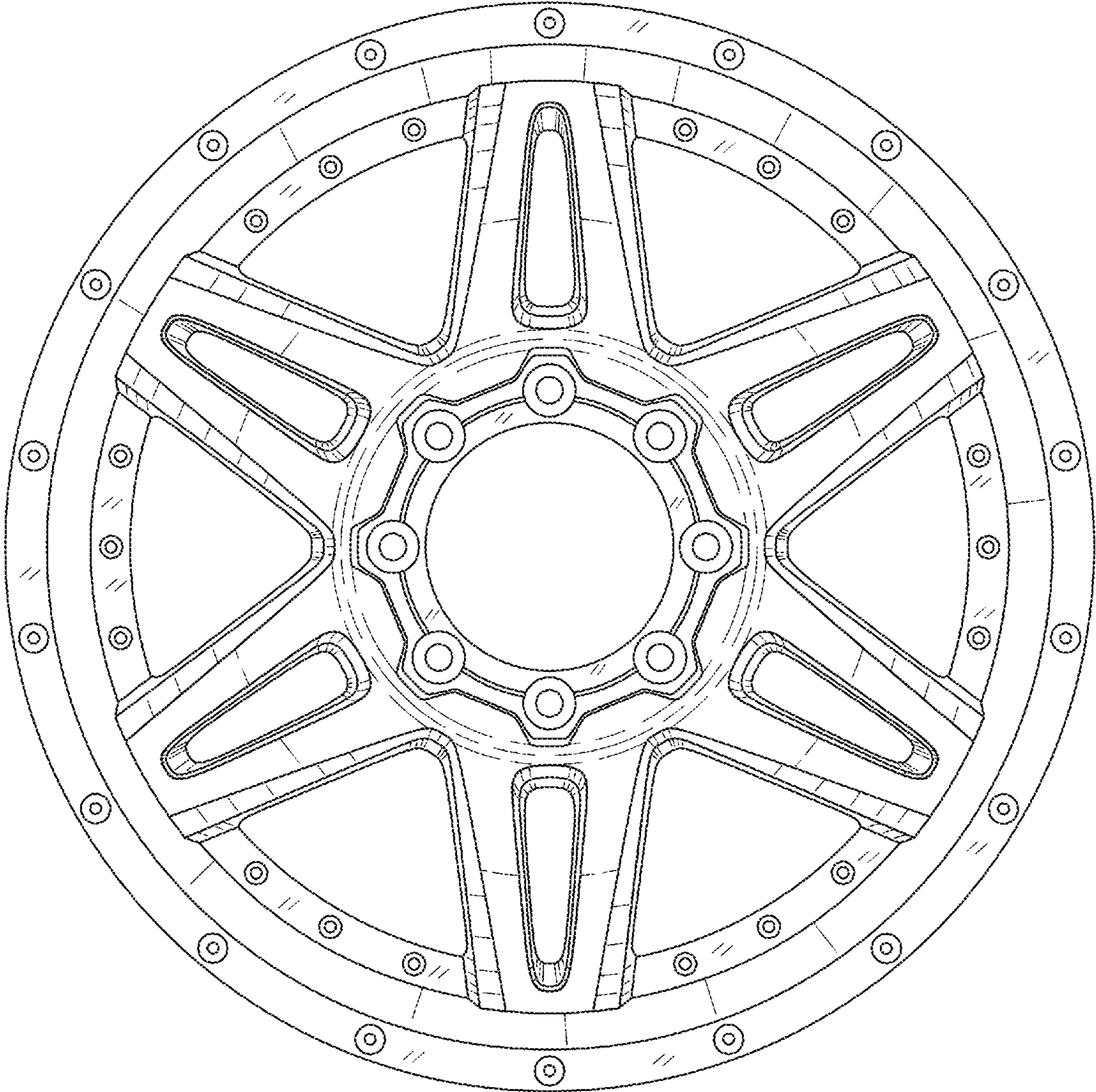


FIGURE 4