



US00D763161S

(12) **United States Design Patent**  
**Morgenstern**

(10) **Patent No.:** **US D763,161 S**  
(45) **Date of Patent:** **\*\* Aug. 9, 2016**

- (54) **VEHICLE WHEEL**
- (71) Applicant: **Bayerische Motoren Werke Aktiengesellschaft, Munich (DE)**
- (72) Inventor: **Sebastian Morgenstern, Munich (DE)**
- (73) Assignee: **Bayerische Motoren Werke Aktiengesellschaft, Munich (DE)**
- (\*\*) Term: **14 Years**
- (21) Appl. No.: **29/521,443**
- (22) Filed: **Mar. 24, 2015**
- (30) **Foreign Application Priority Data**  
Sep. 25, 2014 (DE) ..... 40 2014 100 910
- (51) **LOC (10) Cl.** ..... **12-16**
- (52) **U.S. Cl.**  
USPC ..... **D12/211**
- (58) **Field of Classification Search**  
USPC ..... D12/204–213  
CPC ..... B60B 7/00; B60B 7/02; B60B 7/04; B60B 7/01; B60B 7/06; B60B 3/02; B60B 3/04; B60B 3/06; B60B 3/10; B60B 1/00; B60B 1/08; B60B 1/10; B60B 1/12  
See application file for complete search history.

|              |         |                 |         |
|--------------|---------|-----------------|---------|
| D552,024 S * | 10/2007 | Pfeiffer .....  | D12/211 |
| D555,567 S * | 11/2007 | Schweizer ..... | D12/211 |
| D573,523 S * | 7/2008  | McMath .....    | D12/211 |
| D626,488 S * | 11/2010 | Yoon .....      | D12/211 |
| D635,905 S * | 4/2011  | Toth .....      | D12/211 |
| D660,772 S * | 5/2012  | Gotschke .....  | D12/211 |
| D682,767 S * | 5/2013  | Zhao .....      | D12/211 |
| D687,757 S * | 8/2013  | Lemke .....     | D12/211 |
| D697,017 S * | 1/2014  | Holstein .....  | D12/211 |
| D715,210 S * | 10/2014 | Wolff .....     | D12/211 |
| D715,721 S * | 10/2014 | Chung .....     | D12/211 |
| D720,273 S * | 12/2014 | Hilpert .....   | D12/211 |
| D722,002 S * | 2/2015  | Stolz .....     | D12/211 |
| D726,625 S * | 4/2015  | Gallert .....   | D12/211 |
| D731,388 S * | 6/2015  | Gotschke .....  | D12/211 |
| D746,211 S * | 12/2015 | Carter .....    | D12/211 |

**FOREIGN PATENT DOCUMENTS**

|    |                |         |
|----|----------------|---------|
| EM | 000511639-0004 | 6/2006  |
| EM | 000936281-0002 | 11/2009 |
| WO | DM/026987      | 8/1993  |
| WO | DM/049334      | 12/1999 |

\* cited by examiner

*Primary Examiner* — Stacia Cadmus

(74) *Attorney, Agent, or Firm* — Crowell & Moring LLP

(57) **CLAIM**

The ornamental design for a vehicle wheel, as shown and described.

**DESCRIPTION**

FIG. 1 is a perspective view of a vehicle wheel according to the design;  
 FIG. 2 is an additional perspective view thereof;  
 FIG. 3 is an additional perspective view thereof;  
 FIG. 4 is a front view thereof;  
 FIG. 5 is a rear view thereof in a lighter gray scale, representing environmental features that form no part of the claimed design; and,  
 FIG. 6 is a side view thereof.

**1 Claim, 6 Drawing Sheets**

(56) **References Cited**  
U.S. PATENT DOCUMENTS

|              |         |                 |         |
|--------------|---------|-----------------|---------|
| D294,821 S * | 3/1988  | Danbom .....    | D12/211 |
| D344,924 S * | 3/1994  | Braungart ..... | D12/211 |
| D406,807 S * | 3/1999  | Shikado .....   | D12/211 |
| D416,850 S * | 11/1999 | Cohen .....     | D12/211 |
| D445,753 S * | 7/2001  | Neeper .....    | D12/211 |
| D520,931 S * | 5/2006  | Hieke .....     | D12/211 |
| D522,439 S * | 6/2006  | Laengerer ..... | D12/211 |
| D525,930 S * | 8/2006  | Matsumoto ..... | D12/211 |
| D532,358 S   | 11/2006 | Blasi .....     |         |

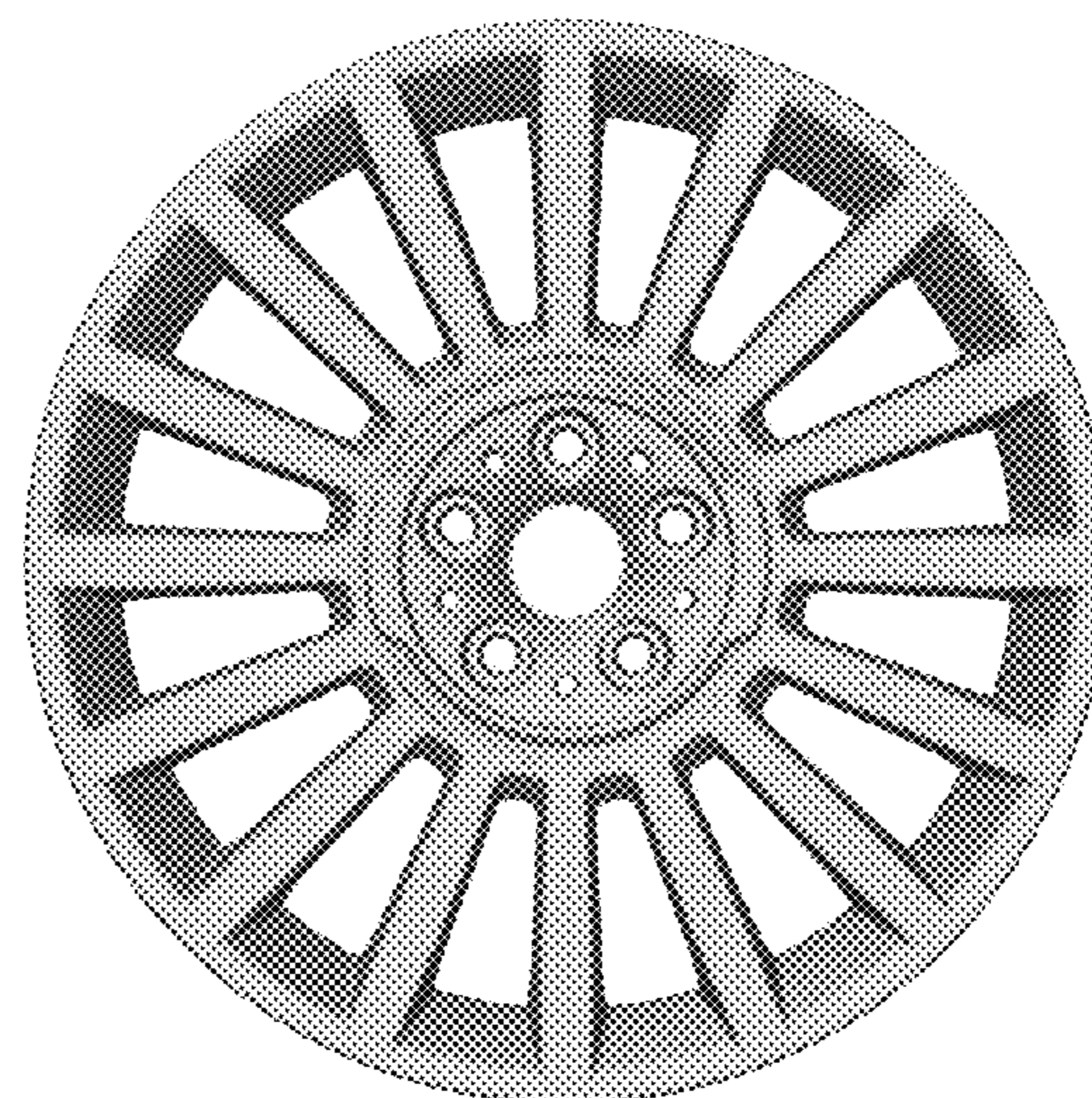
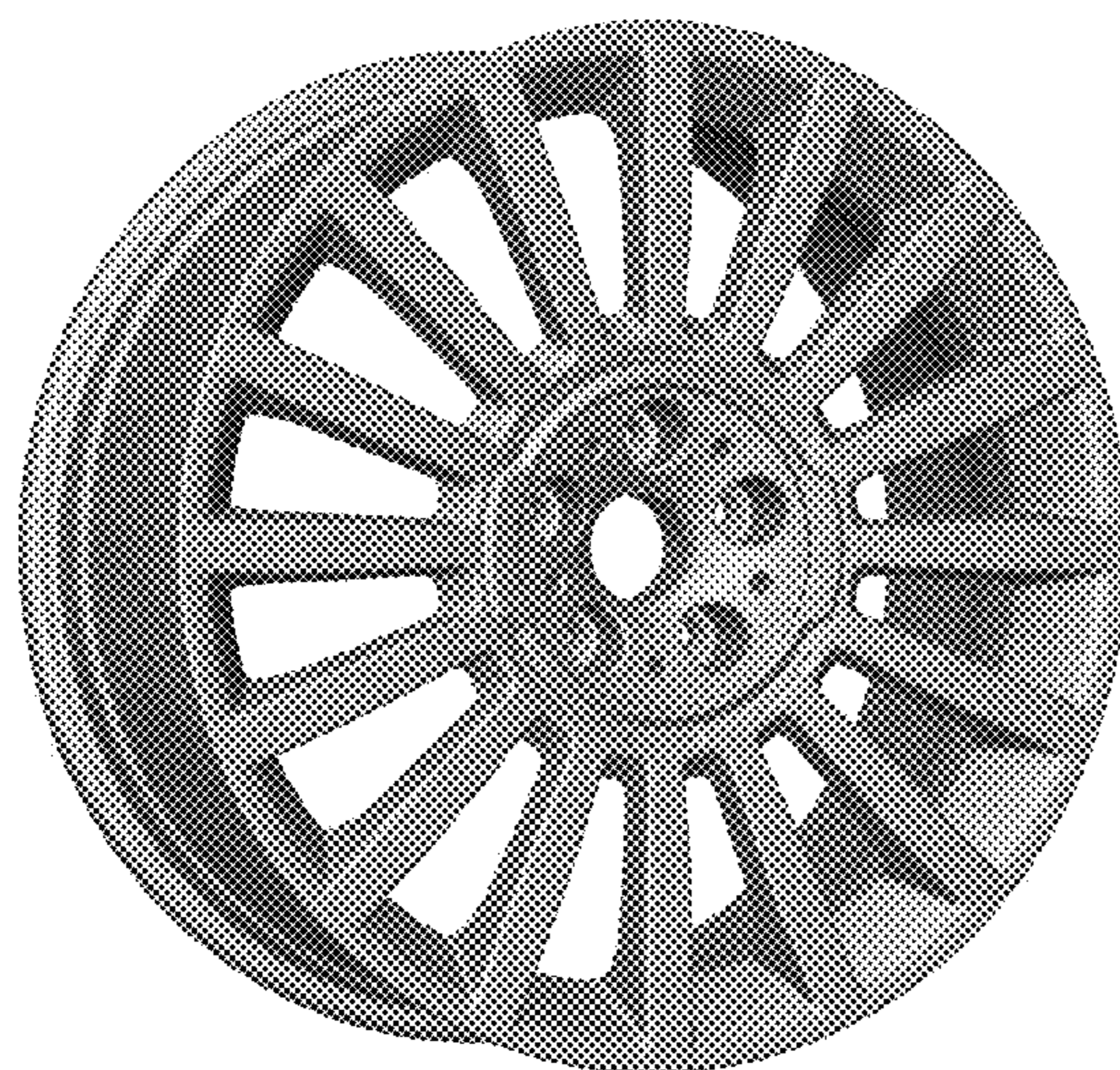




Fig. 1



Fig. 2



Fig. 3



Fig. 4

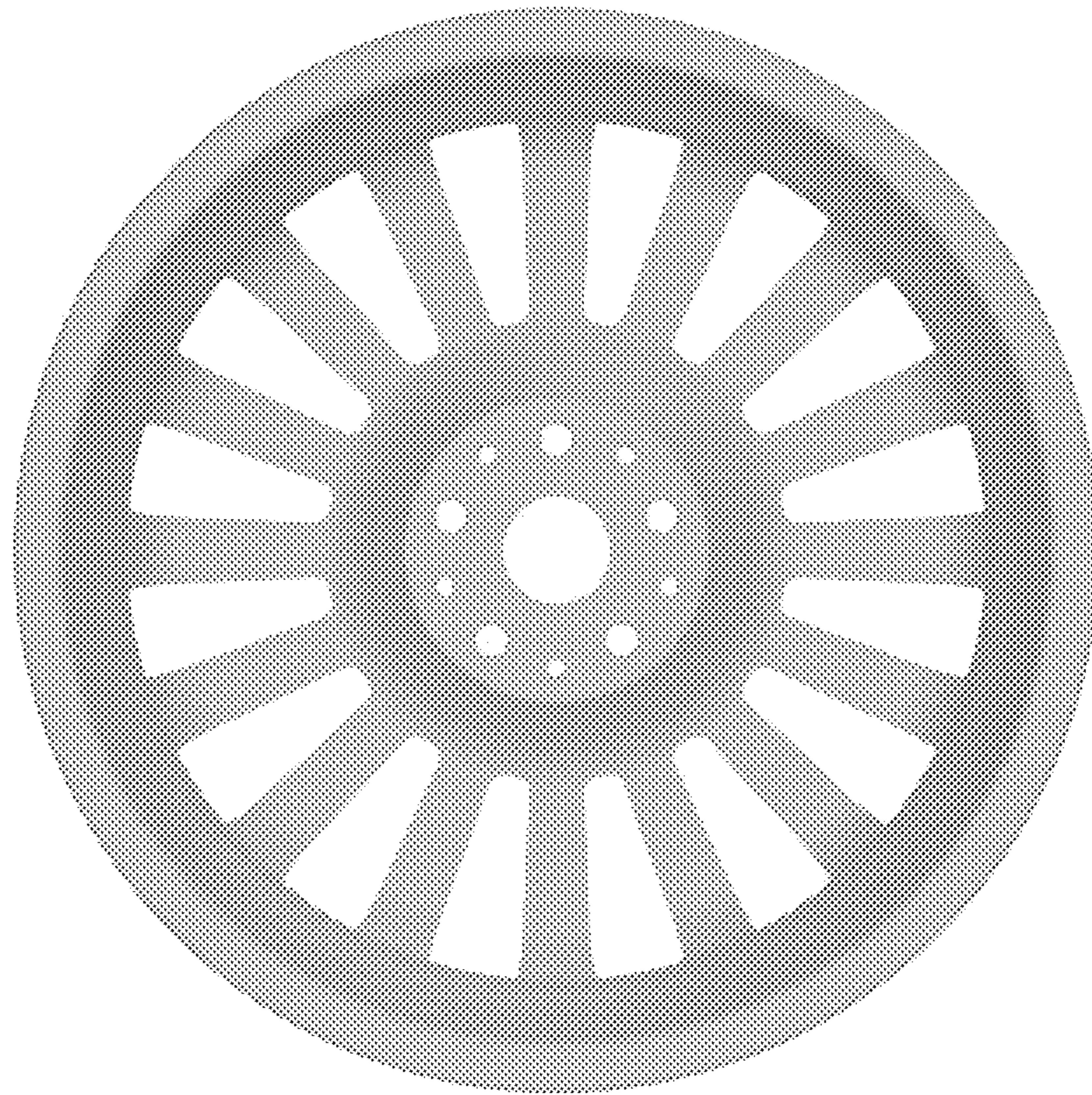


Fig. 5

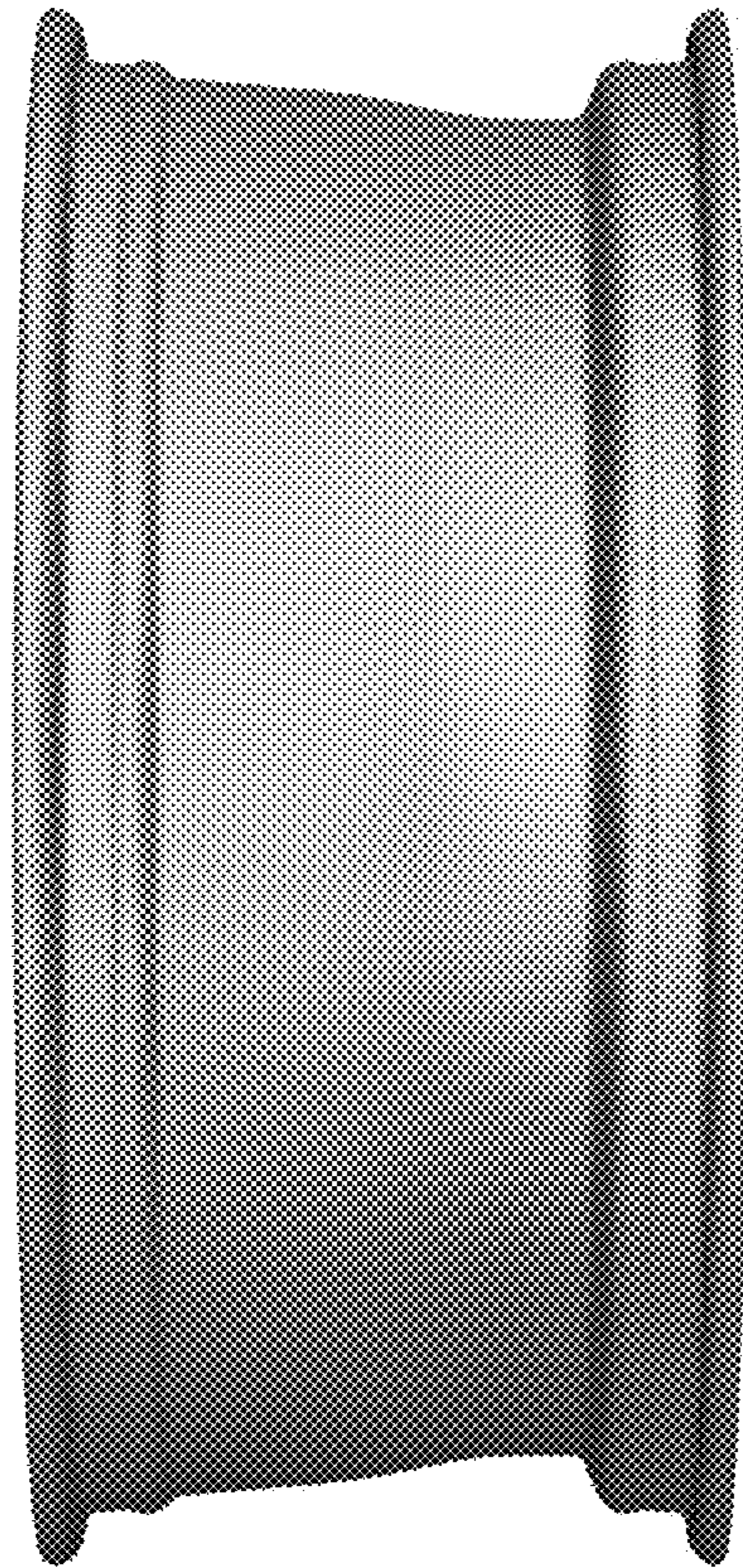


Fig. 6