



US00D763160S

(12) **United States Design Patent**  
**Hashimoto**

(10) **Patent No.:** **US D763,160 S**

(45) **Date of Patent:** **\*\* Aug. 9, 2016**

(54) **VEHICLE WHEEL**

(71) Applicant: **Kawasaki Jukogyo Kabushiki Kaisha,**  
Hyogo (JP)

(72) Inventor: **Naoki Hashimoto,** Kakogawa (JP)

(73) Assignee: **KAWASAKI JUKOGYO**  
**KABUSHIKI KAISHA,** Hyogo (JP)

(\*\*) Term: **15 Years**

(21) Appl. No.: **29/528,682**

(22) Filed: **May 29, 2015**

(51) **LOC (10) Cl.** ..... **12-16**

(52) **U.S. Cl.**  
USPC ..... **D12/209**

(58) **Field of Classification Search**  
USPC ..... D12/204–213  
CPC ..... B60B 7/00; B60B 7/02; B60B 7/04;  
B60B 7/01; B60B 7/06; B60B 3/02; B60B  
3/04; B60B 3/06; B60B 3/10; B60B 1/00;  
B60B 1/08; B60B 1/10; B60B 1/12  
See application file for complete search history.

(56) **References Cited**

**U.S. PATENT DOCUMENTS**

D235,988 S *	7/1975	Sandberg	.....	D12/211
D245,599 S *	8/1977	De Vries	.....	D12/211
D286,145 S *	10/1986	Sandberg	.....	D12/211
D382,244 S *	8/1997	Niles	.....	D12/211

D484,085 S *	12/2003	Tirado	.....	D12/211
D528,061 S *	9/2006	Saridakis	.....	D12/211
D534,852 S *	1/2007	Kim	.....	D12/209
D695,183 S *	12/2013	Chung	.....	D12/209
D709,426 S *	7/2014	Kong	.....	D12/209
D711,304 S *	8/2014	Chung	.....	D12/209
D712,330 S *	9/2014	Chung	.....	D12/209
D726,622 S *	4/2015	Vena	.....	D12/209
D728,439 S *	5/2015	Hashimoto	.....	D12/204

\* cited by examiner

*Primary Examiner* — Stacia Cadmus

(57) **CLAIM**

The ornamental design for a vehicle wheel, as shown and described.

**DESCRIPTION**

FIG. 1 is a front elevational view of a vehicle wheel showing my new design;  
FIG. 2 is a rear elevational view thereof;  
FIG. 3 is a left side elevational view thereof, the right side view being a mirror image of that shown;  
FIG. 4 is a top plan view thereof, the bottom plan view being a mirror image of that shown;  
FIG. 5 is a front right perspective view thereof; and,  
FIG. 6 is a rear left perspective view thereof.  
The dark and light grayed surfaces do not represent a color nor a pattern but are intended to represent shading on the surface of the drawings.

**1 Claim, 6 Drawing Sheets**

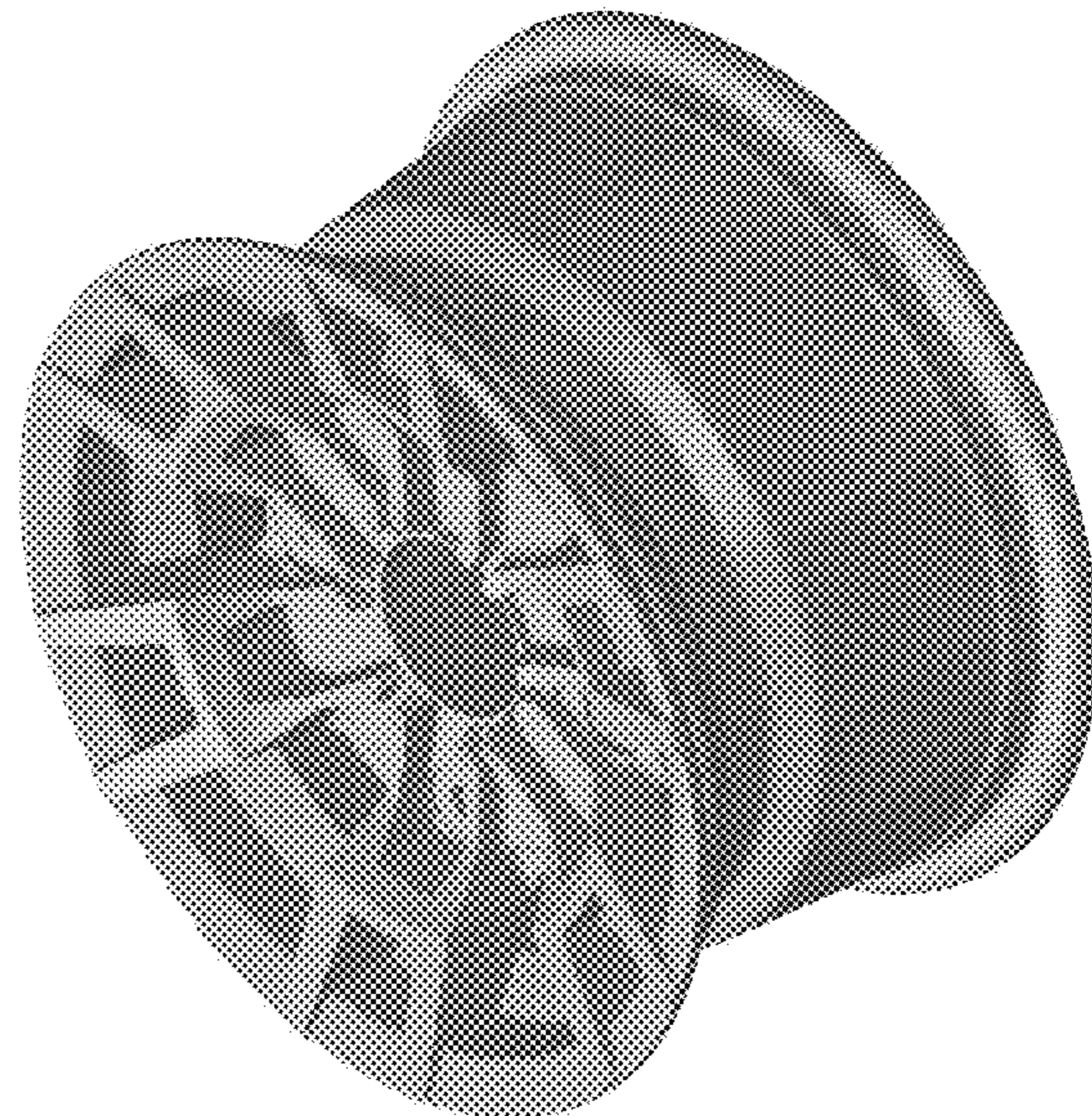
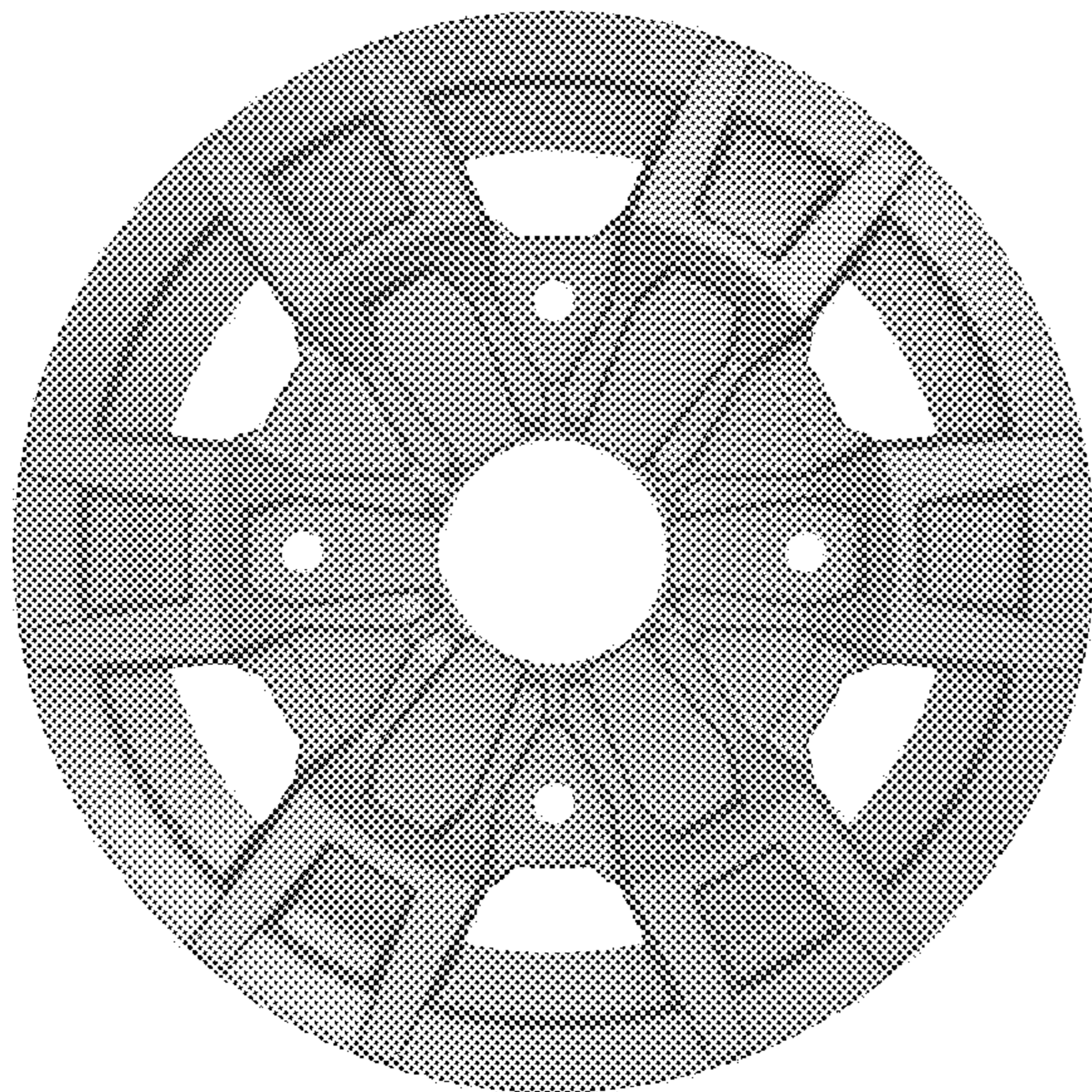


Fig. 1

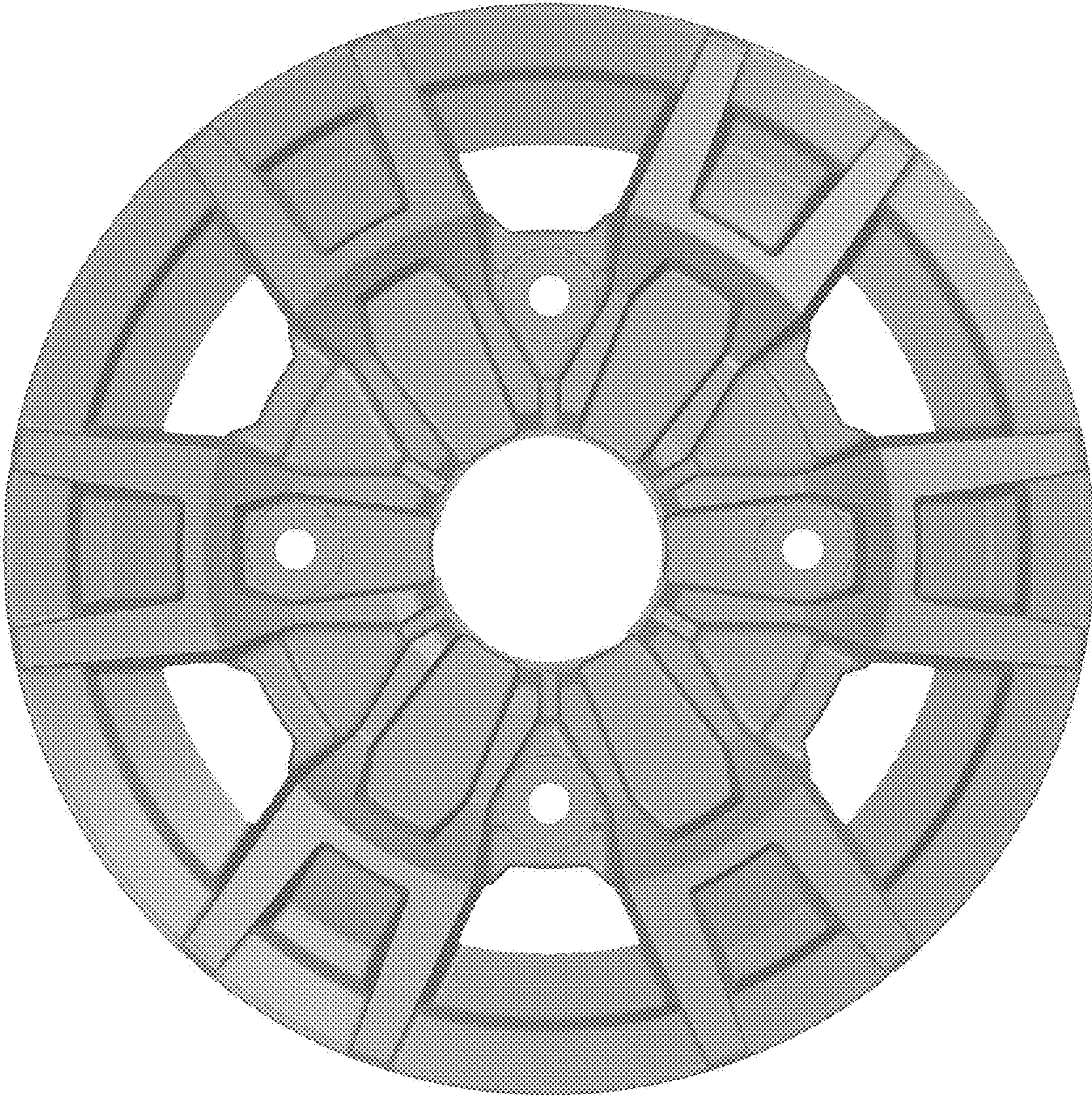


Fig. 2

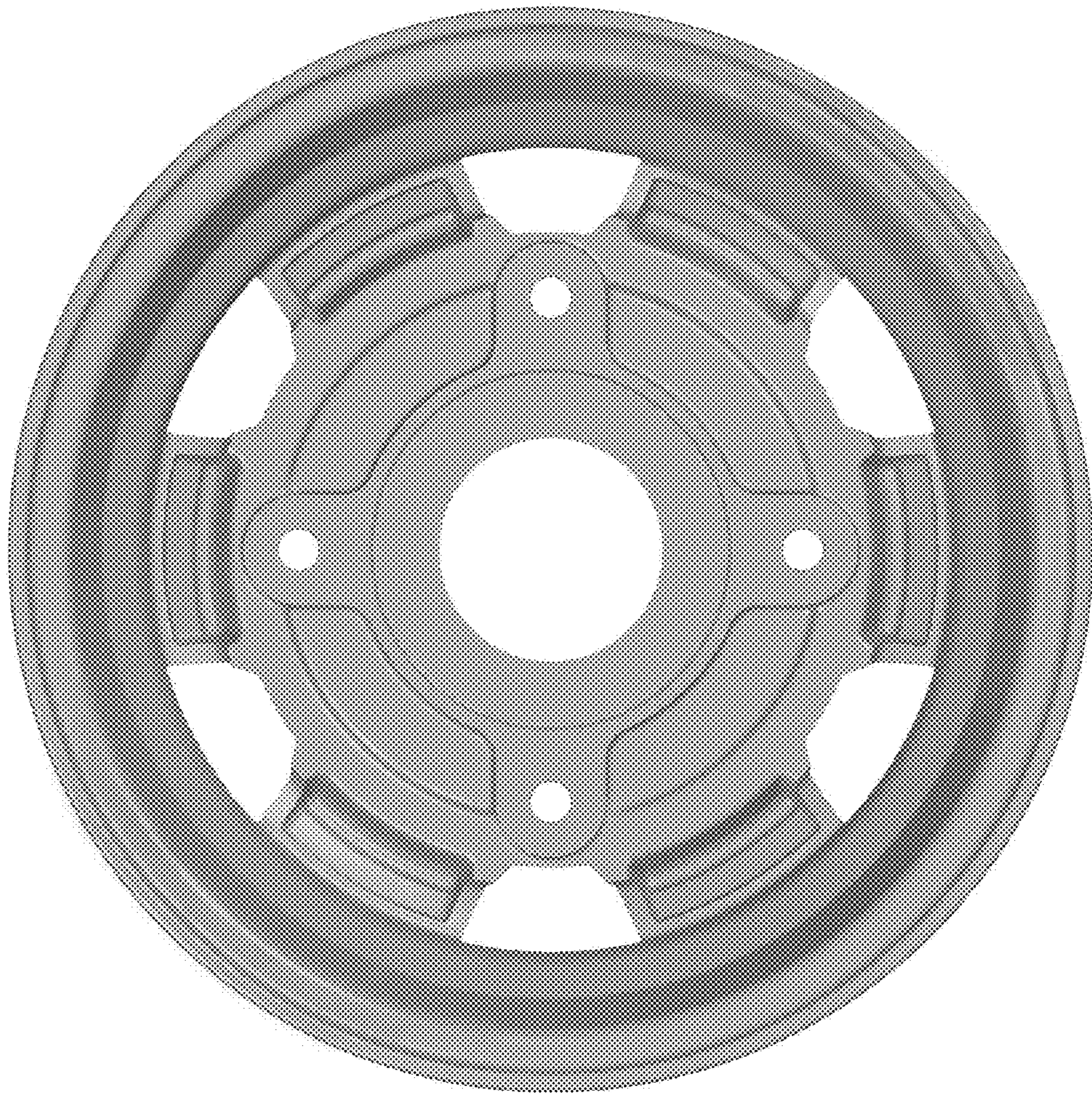


Fig. 3

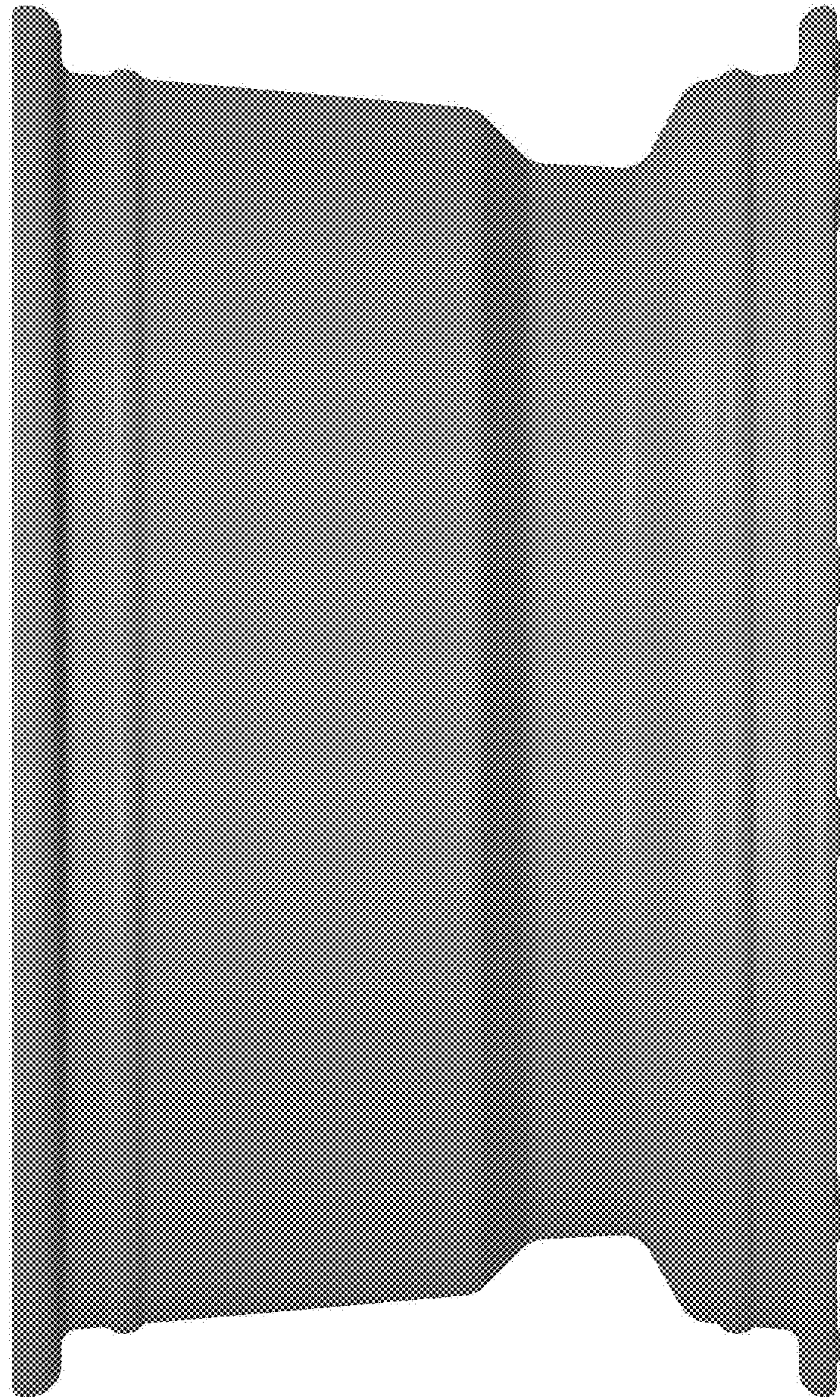


Fig. 4

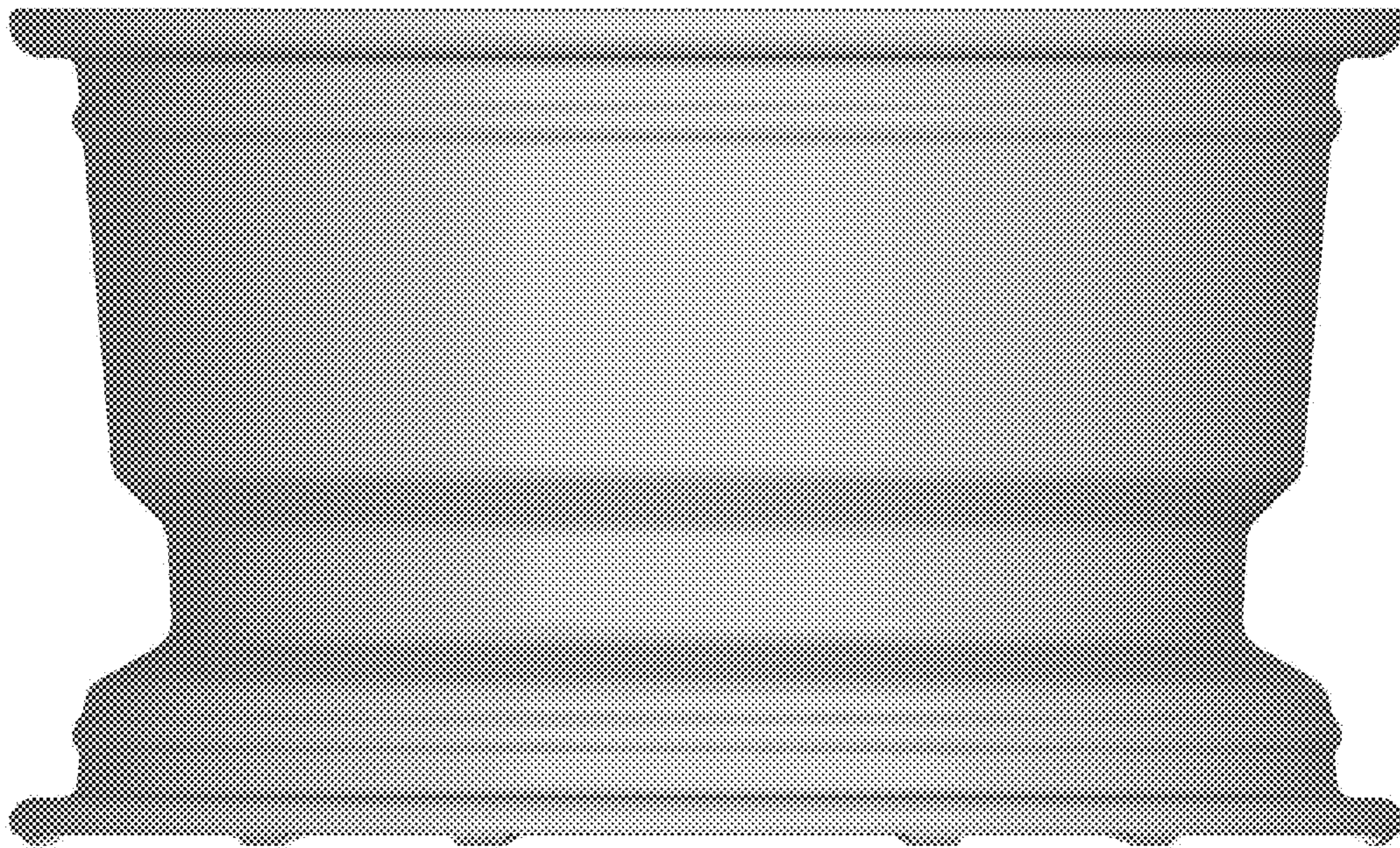


Fig. 5

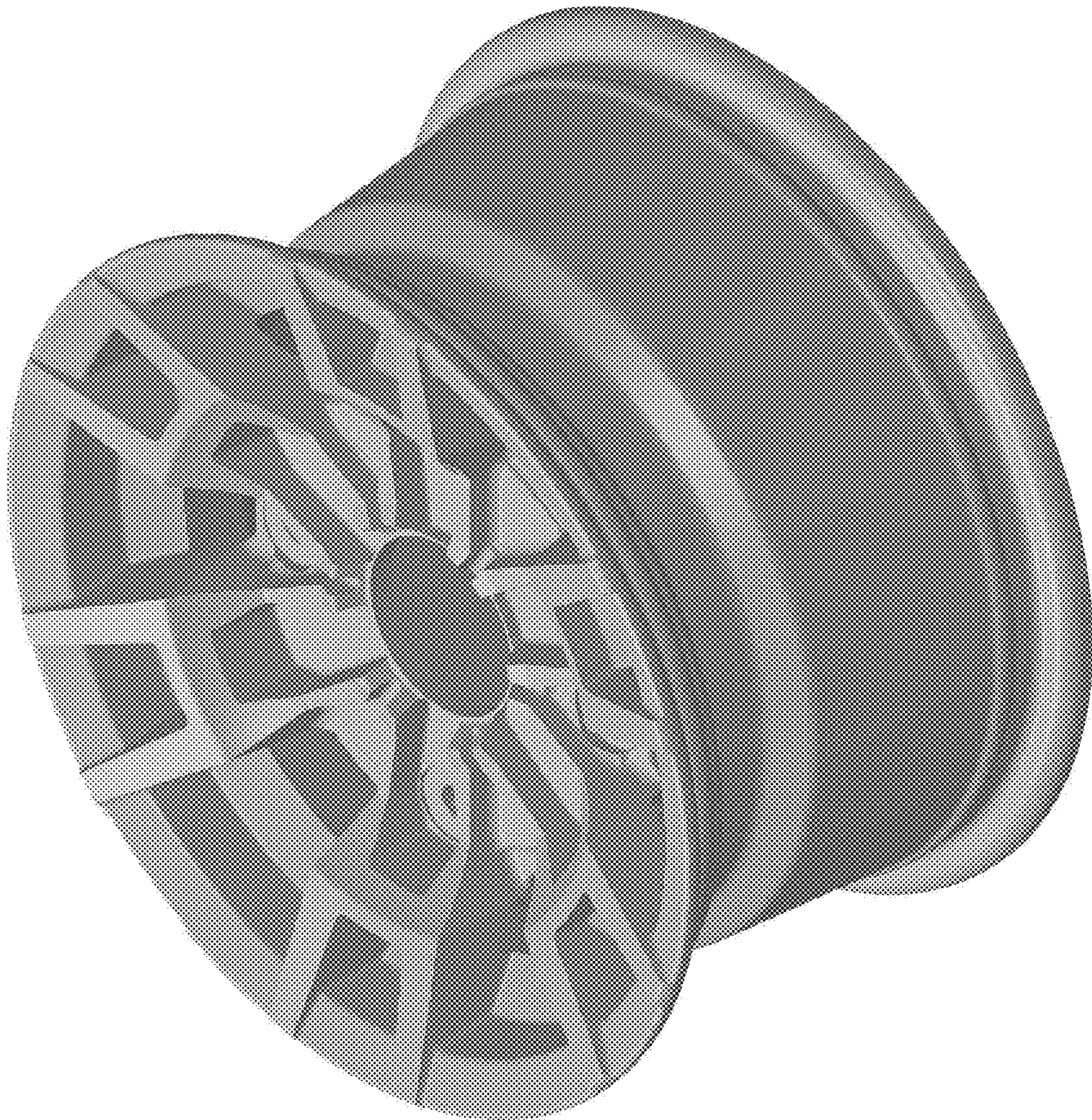


Fig. 6

