



US00D763155S

(12) **United States Design Patent**
Sahs

(10) **Patent No.:** **US D763,155 S**
(45) **Date of Patent:** **** Aug. 9, 2016**

(54) **INSTRUMENT PANEL FOR AUTOMOBILE**

FOREIGN PATENT DOCUMENTS

(71) Applicant: **Nissan Motor Co., Ltd.**, Yokohama,
Kanagawa (JP)

JP D1220057 S 10/2004
JP D1234573 S 3/2005

(Continued)

(72) Inventor: **John Sahs**, San Diego, CA (US)

Primary Examiner — Katrina A Betton

(73) Assignee: **Nissan Motor Co., Ltd.**, Yokohama (JP)

(74) *Attorney, Agent, or Firm* — Global IP Counselors, LLP

(**) Term: **14 Years**

(57) **CLAIM**

The ornamental design for an instrument panel for an automobile, as shown and described.

(21) Appl. No.: **29/525,551**

DESCRIPTION

(22) Filed: **Apr. 30, 2015**

FIG. 1 is a front elevational view of an instrument panel for an automobile in accordance with my new design;

(30) **Foreign Application Priority Data**

Nov. 12, 2014 (JP) 2014-025253

FIG. 2 is a top plan view of the instrument panel in accordance with my new design of FIG. 1;

(51) **LOC (10) Cl.** **12-16**

FIG. 3 is a bottom plan view of the instrument panel in accordance with my new design of FIGS. 1 and 2;

(52) **U.S. Cl.**

USPC **D12/192**

FIG. 4 is a right side elevational view of the instrument panel in accordance with my new design of FIGS. 1 to 3;

(58) **Field of Classification Search**

USPC D12/192, 415, 110, 114; D15/17, 28;
D10/46, 98, 102–103, 122–127

FIG. 5 is a left side elevational view of the instrument panel in accordance with my new design of FIGS. 1 to 4;

See application file for complete search history.

FIG. 6 is a front, left side perspective view of the instrument panel in accordance with my new design of FIGS. 1 to 5; and,

FIG. 7 is a front, right perspective view of the instrument panel in accordance with my new design of FIGS. 1 to 6.

(56) **References Cited**

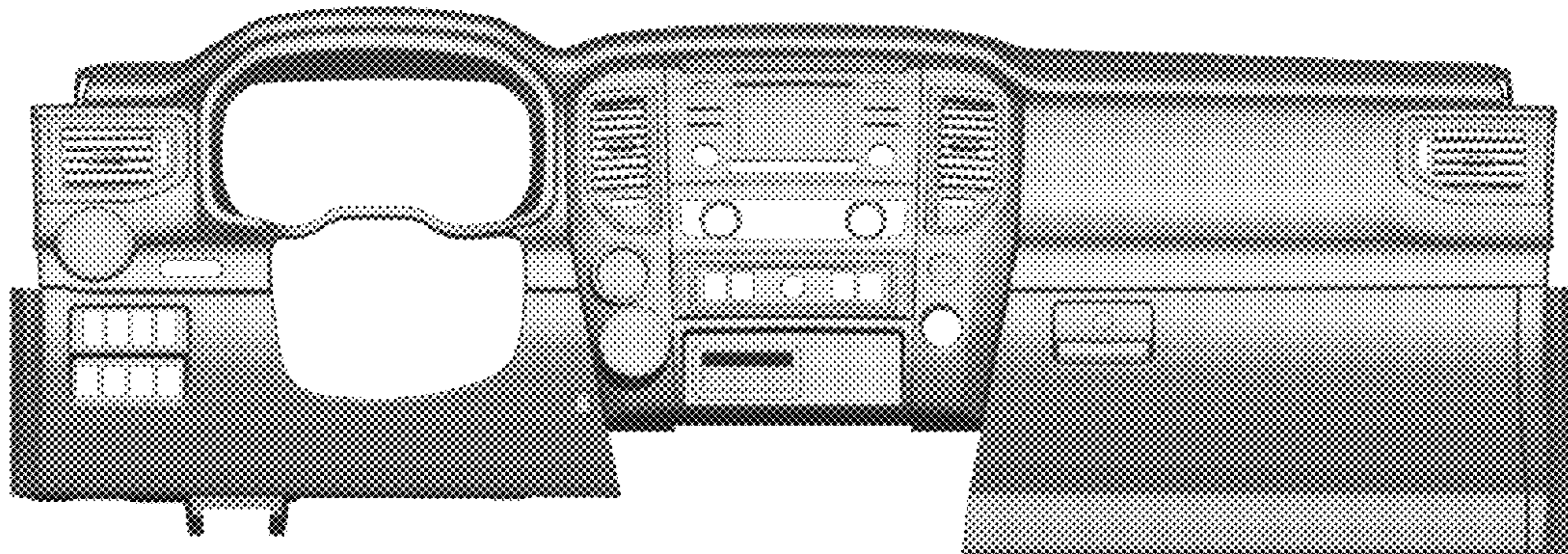
U.S. PATENT DOCUMENTS

D695,658 S	12/2013	Igarashi et al.	
D697,848 S *	1/2014	Maruyama	D12/192
D697,849 S *	1/2014	Tanaka	D12/192
D697,852 S	1/2014	Yamagata et al.	
D699,171 S *	2/2014	Matsuo	D12/192
D704,608 S *	5/2014	Kanda	D12/192
D705,143 S *	5/2014	Kawashima	D12/192
D705,144 S *	5/2014	Ishikawa	D12/192
D705,711 S *	5/2014	Yamamoto	D12/192
D737,186 S *	8/2015	Nakao	D12/192

The rear view and rear surfaces of the instrument panel forms no part of the claimed design. The instrument panel is configured to be mounted to an automobile. The rear view, and rear surfaces, visible in FIGS. 1 to 7 of the instrument panel, form no part of the claimed design since the mounting structure and support structure are hidden when the instrument panel is mounted to the automobile.

A second embodiment of our new design is identical to the first embodiment. The second embodiment of our new design includes the mirror image of the instrument panel shown in FIGS. 1 to 7.

1 Claim, 7 Drawing Sheets



(56)

References Cited

FOREIGN PATENT DOCUMENTS

JP	D1235548 S	4/2005
JP	D1278285 S	8/2006
JP	D1306787 S	7/2007
JP	D1308920 S	9/2007
JP	D1340050 S	9/2008
JP	D1279187 S	7/2009

JP	D1384144 S	4/2010
JP	D1310814 S	9/2010
JP	D1393117 S	7/2011
JP	D1480100 S	9/2013
JP	D1462021 S	2/2014
JP	D1501345 S	6/2014
JP	D1501982 S	7/2014
JP	D1515986 S	1/2015

* cited by examiner

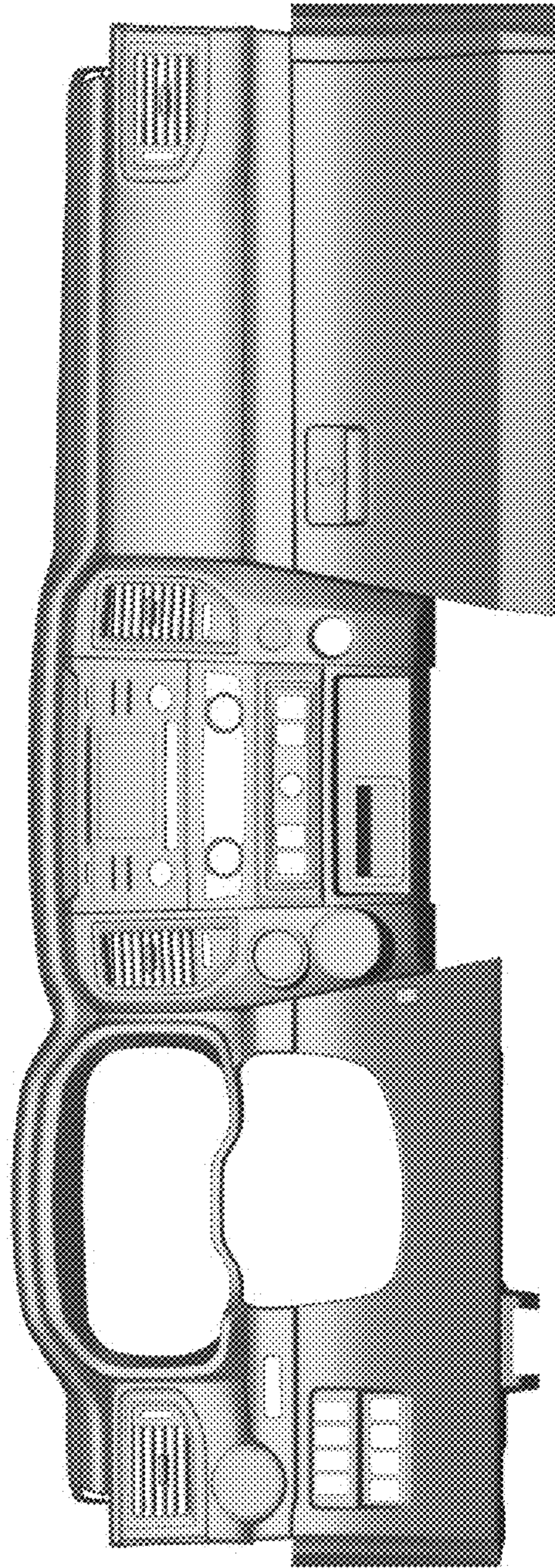


FIG. 1

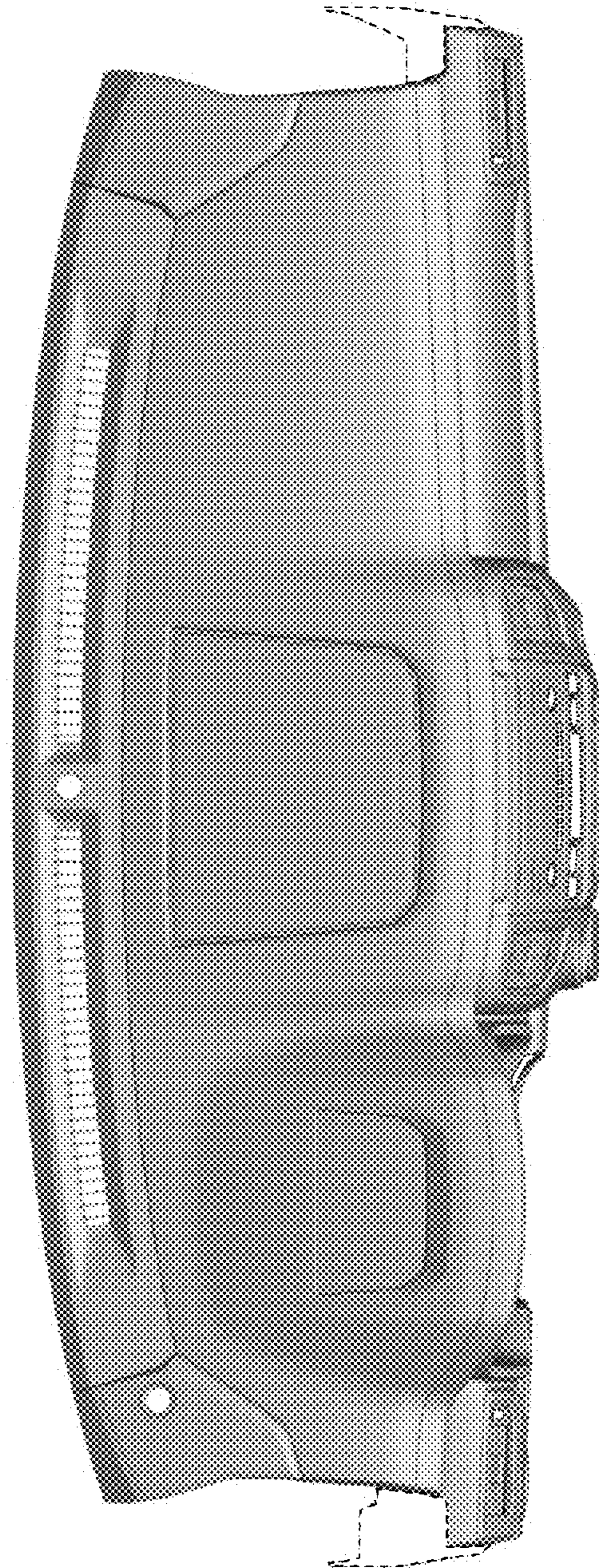


FIG. 2

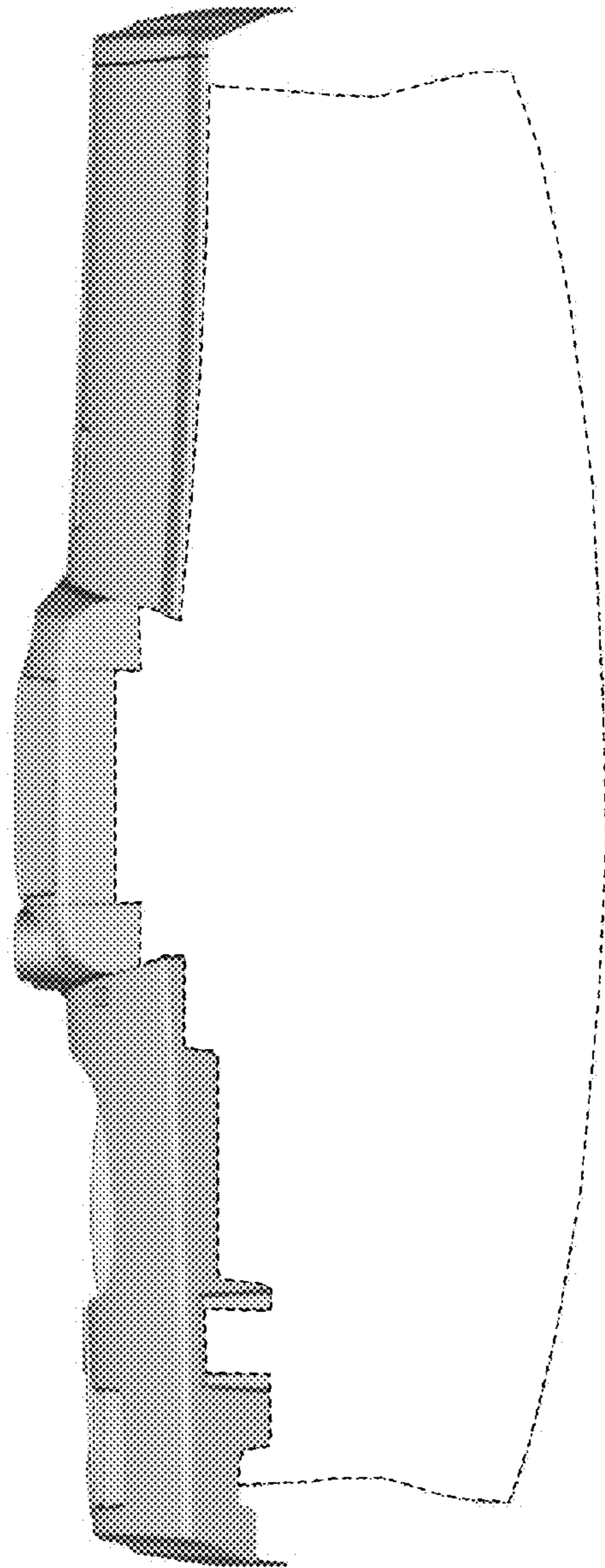


FIG. 3

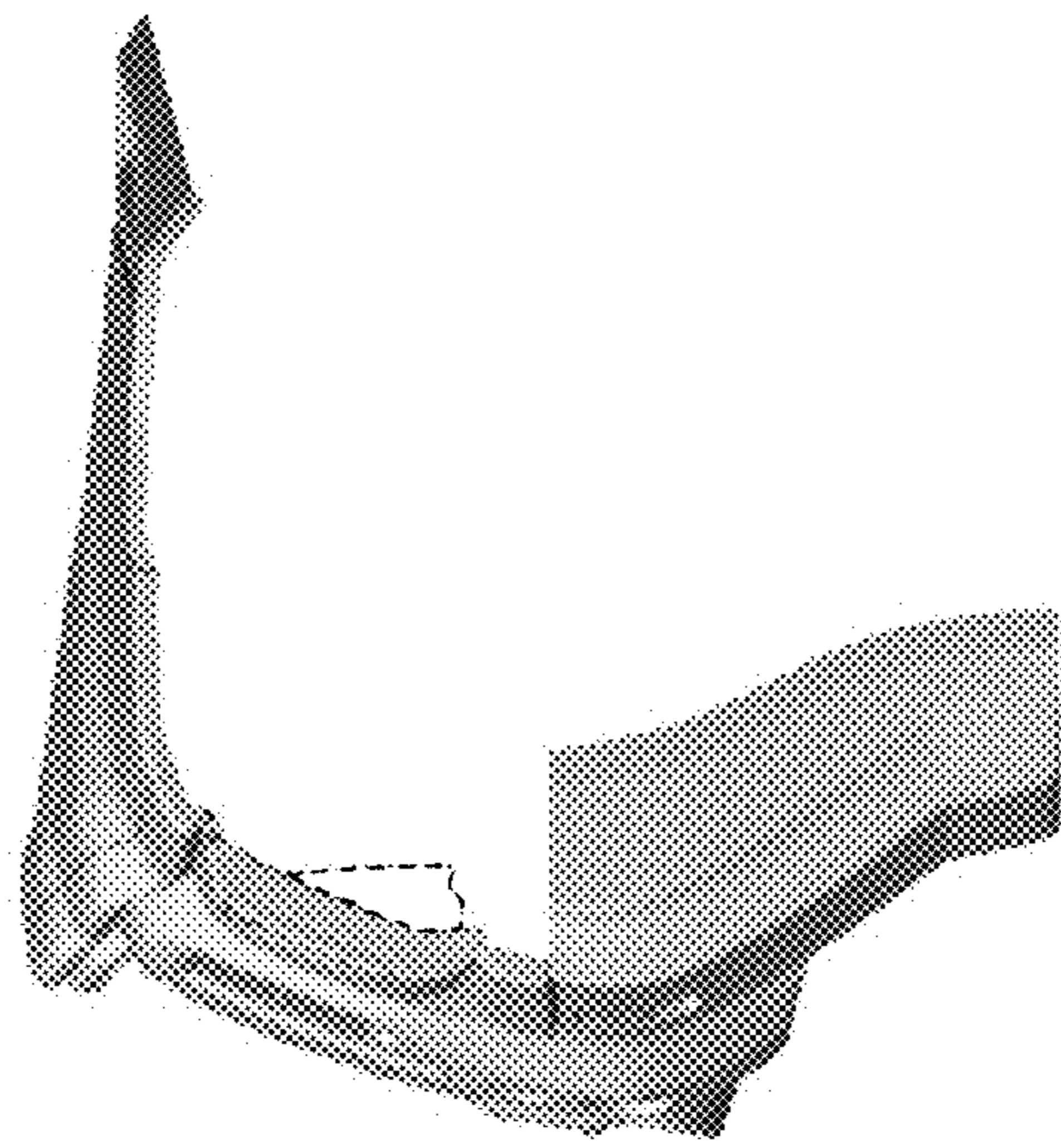


FIG. 4

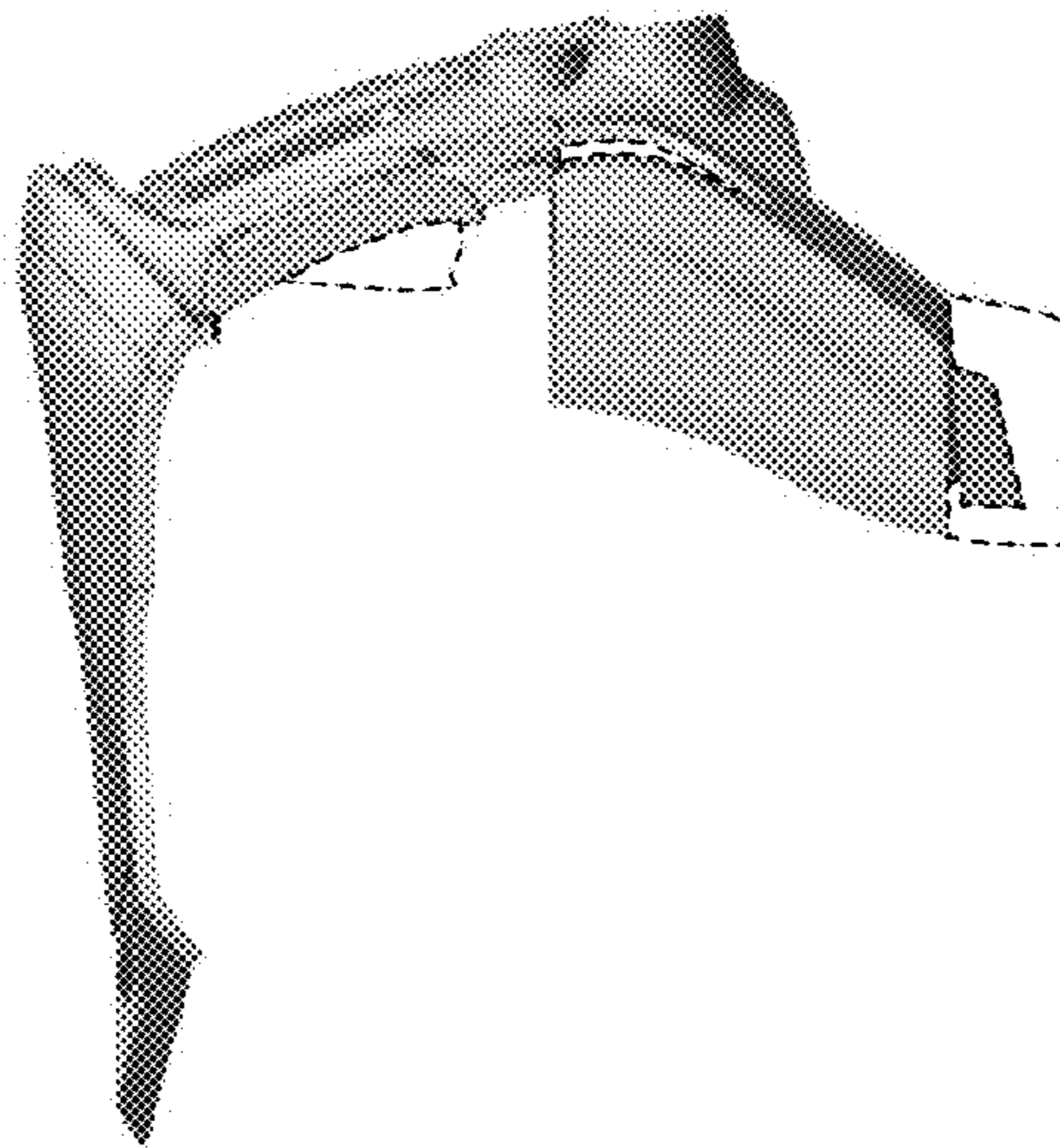


FIG. 5

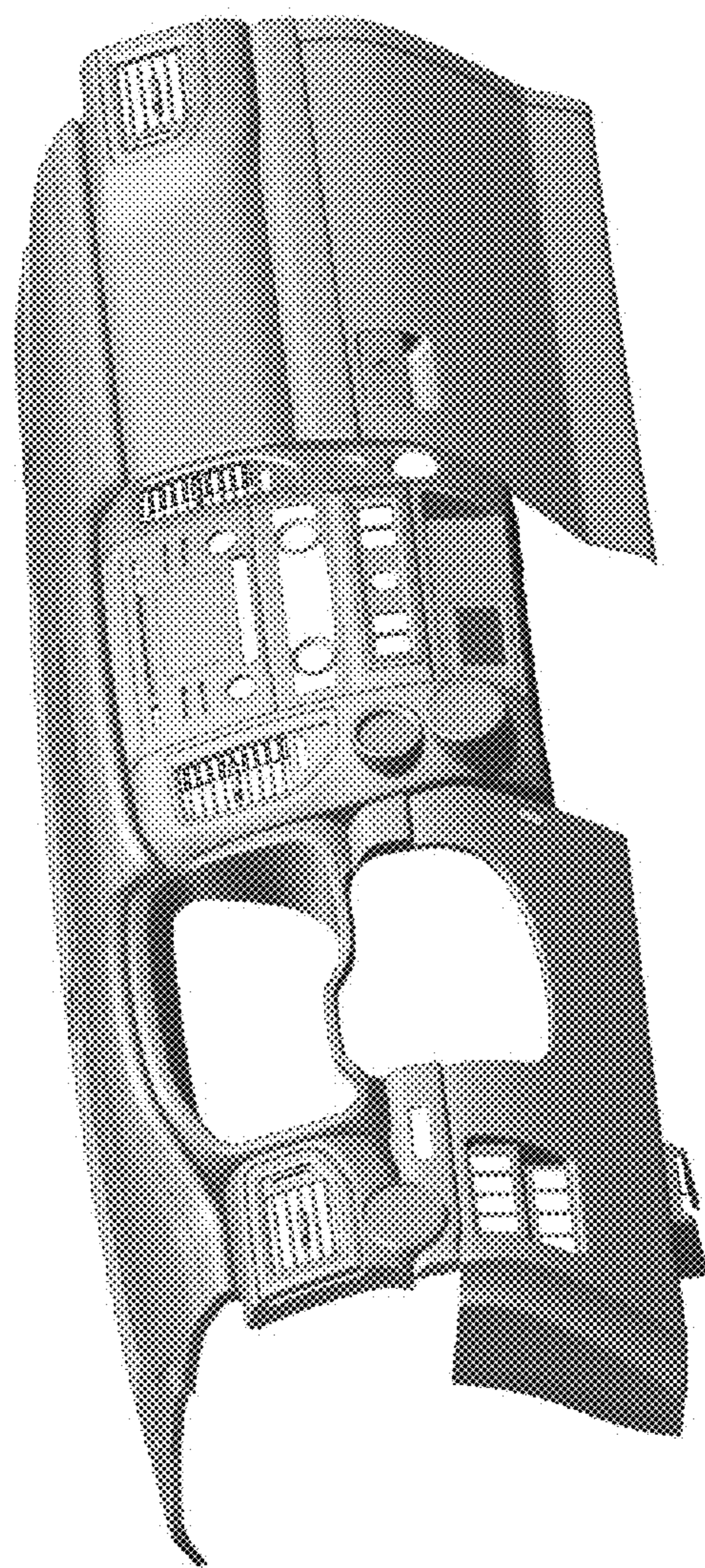


FIG. 6



FIG. 7