



US00D763154S

(12) **United States Design Patent**
Chang

(10) **Patent No.:** **US D763,154 S**

(45) **Date of Patent:** **** Aug. 9, 2016**

(54) **INSTRUMENT PANEL FOR AUTOMOBILE**

FOREIGN PATENT DOCUMENTS

(71) Applicant: **Nissan Motor Co., Ltd.**, Yokohama,
Kanagawa (JP)

JP D1293733 S 2/2007
JP D1323402 S 3/2008

(Continued)

(72) Inventor: **Ching Pin Jackie Chang**, San Diego,
CA (US)

Primary Examiner — Katrina A Betton
(74) *Attorney, Agent, or Firm* — Global IP Counselors, LLP

(73) Assignee: **Nissan Motor Co., Ltd.**, Yokohama (JP)

(57) **CLAIM**
The ornamental design for an instrument panel for an auto-
mobile, as shown and described.

(**) Term: **14 Years**

DESCRIPTION

(21) Appl. No.: **29/522,554**

FIG. 1 is a front elevational view of an instrument panel for an
automobile in accordance with my new design;
FIG. 2 is a top plan view of the instrument panel in accordance
with my new design of FIG. 1;
FIG. 3 is a bottom plan view of the instrument panel in
accordance with my new design of FIGS. 1 and 2;
FIG. 4 is a right side elevational view of the instrument panel
in accordance with my new design of FIGS. 1 to 3;
FIG. 5 is a left side elevational view of the instrument panel in
accordance with my new design of FIGS. 1 to 4;
FIG. 6 is a front, left and top side perspective view of the
instrument panel in accordance with my new design of FIGS.
1 to 5; and,
FIG. 7 is a front, right and bottom side perspective view of the
instrument panel in accordance with my new design of FIGS.
1 to 6.

(22) Filed: **Mar. 31, 2015**

(30) **Foreign Application Priority Data**

Oct. 1, 2014 (JP) 2014-021893

(51) **LOC (10) Cl.** **12-16**

(52) **U.S. Cl.**
USPC **D12/192**

(58) **Field of Classification Search**
USPC D12/192, 415, 110, 114; D15/17, 28;
D10/46, 98, 102-103, 122-127
See application file for complete search history.

(56) **References Cited**

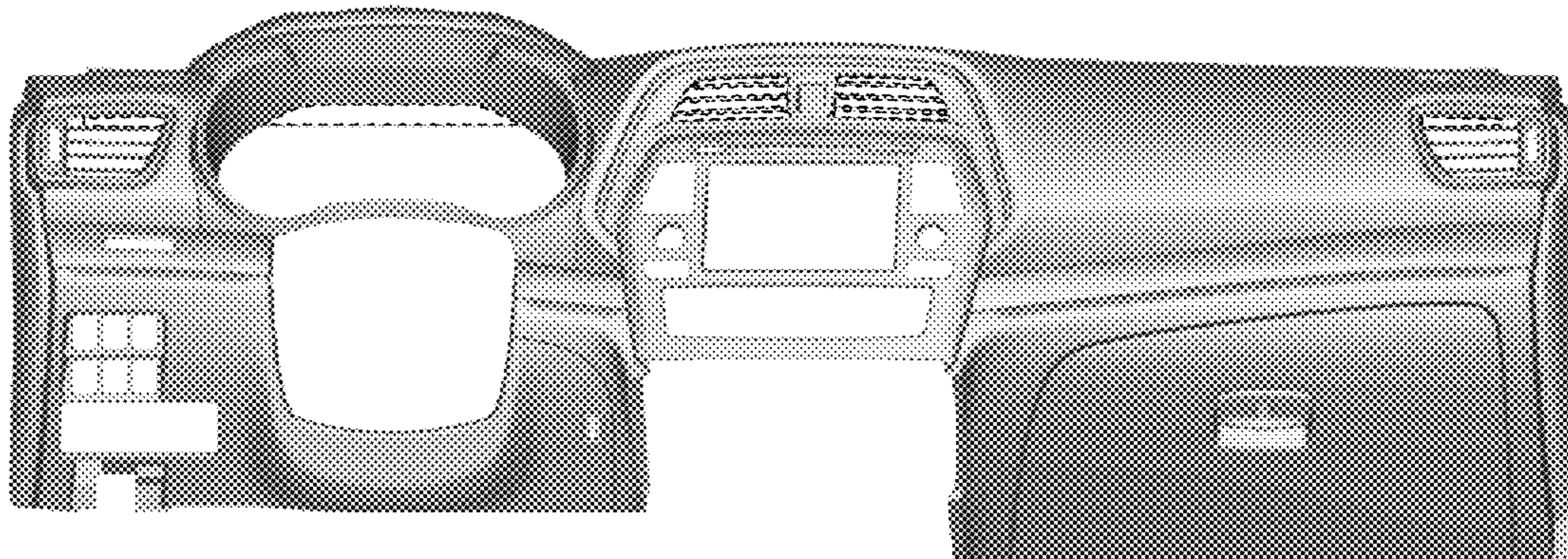
U.S. PATENT DOCUMENTS

D695,658 S	12/2013	Igarashi et al.	
D697,848 S *	1/2014	Maruyama	D12/192
D697,849 S *	1/2014	Tanaka	D12/192
D699,171 S *	2/2014	Matsuo	D12/192
D704,608 S *	5/2014	Kanda	D12/192
D705,143 S *	5/2014	Kawashima	D12/192
D705,144 S *	5/2014	Ishikawa	D12/192
D705,711 S *	5/2014	Yamamoto	D12/192
D737,186 S *	8/2015	Nakao	D12/192

The rear view and rear surfaces of the instrument panel forms
no part of the claimed design. The instrument panel is con-
figured to be mounted to an automobile. The rear view, and
rear surfaces, visible in FIGS. 1 to 7 of the instrument panel,
form no part of the claimed design since the mounting struc-
ture and support structure are hidden when the instrument
panel is mounted to the automobile.

A second embodiment of our new design is identical to the
first embodiment. The second embodiment of our new design
includes the mirror image of the instrument panel shown in
FIGS. 1 to 7.

1 Claim, 7 Drawing Sheets



(56)

References Cited

FOREIGN PATENT DOCUMENTS

JP D1324682 S 3/2008
JP D1336603 S 7/2008
JP D1349424 S 1/2009
JP D1352673 S 3/2009
JP D1384114 S 4/2010
JP D1393210 S 7/2010
JP D1420730 S 8/2011

JP D1448686 S 8/2012
JP D1453934 S 10/2012
JP D1480100 S 9/2013
JP D1461708 S 2/2014
JP D1490381 S 2/2014
JP D1492640 S 3/2014
JP D1480285 S 9/2014
JP D1481501 S 10/2014
JP D1515986 S 1/2015

* cited by examiner

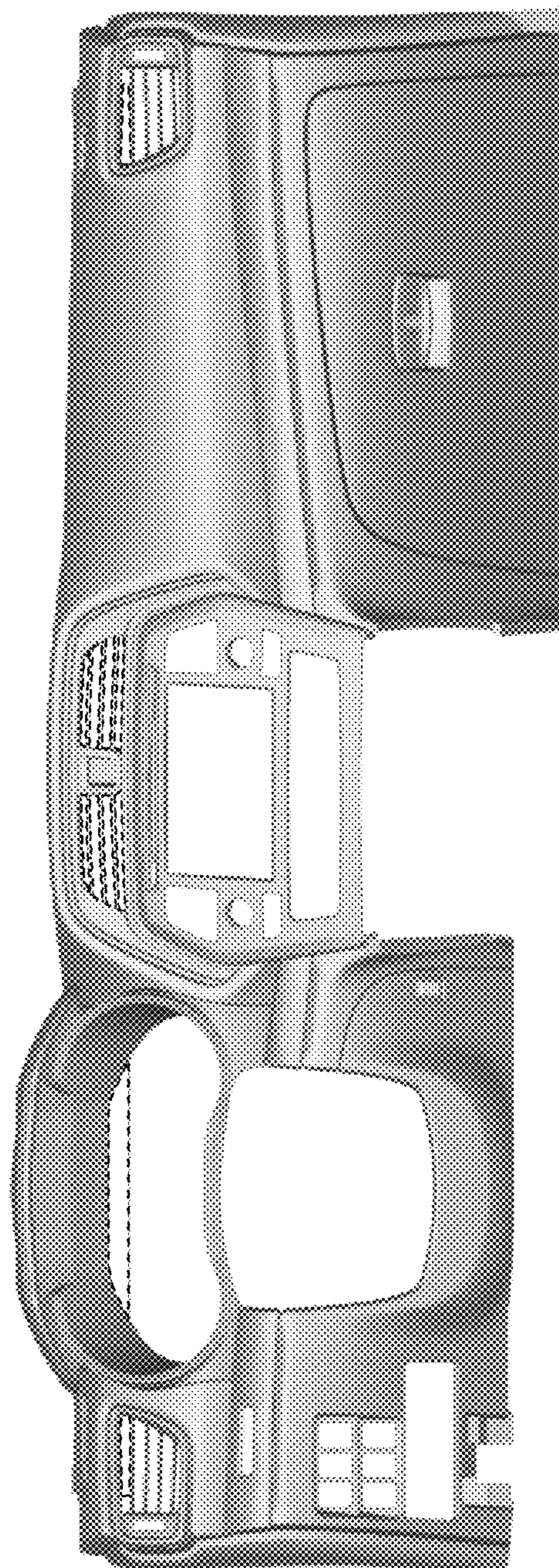


FIG. 1

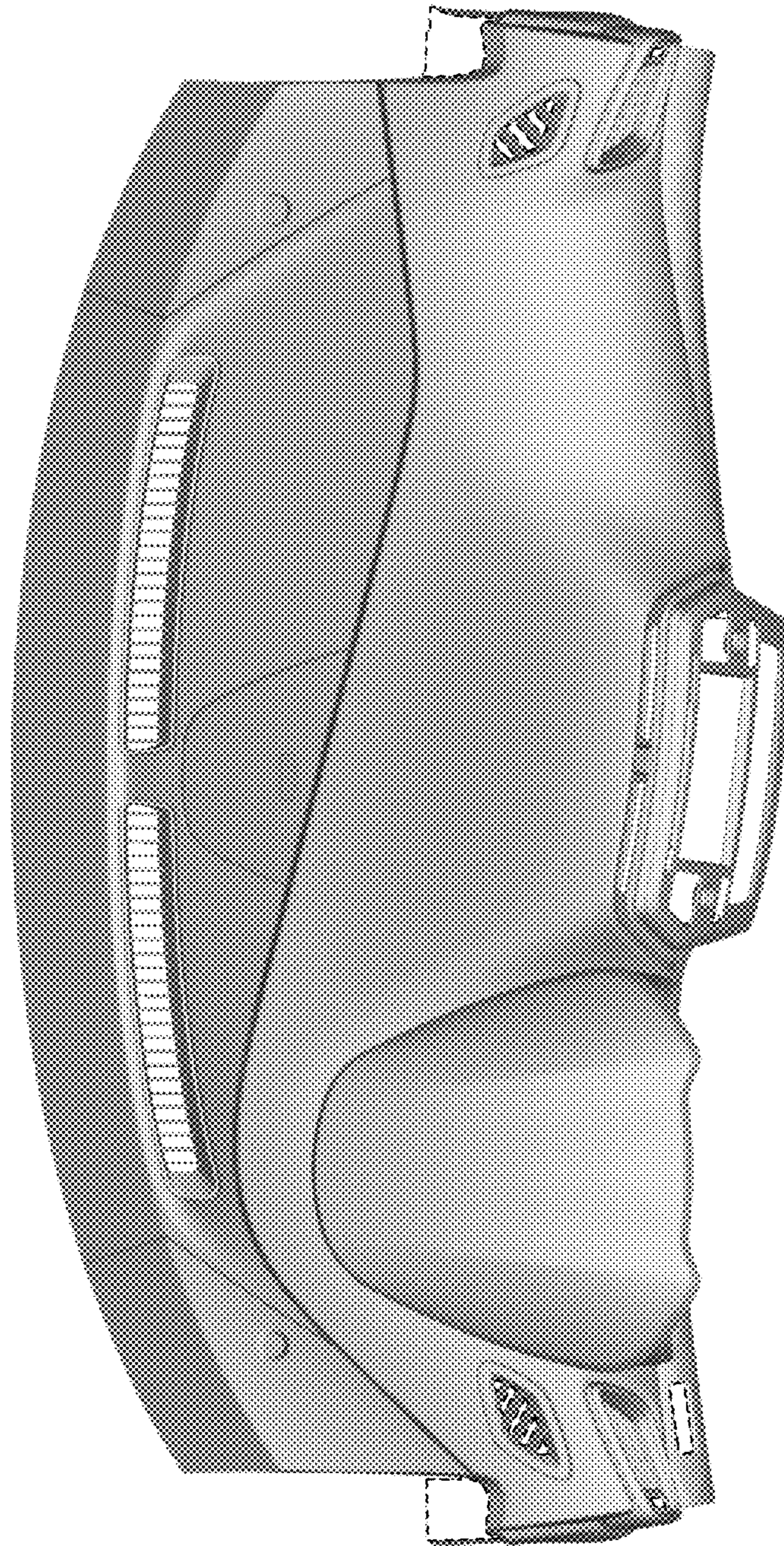


FIG. 2

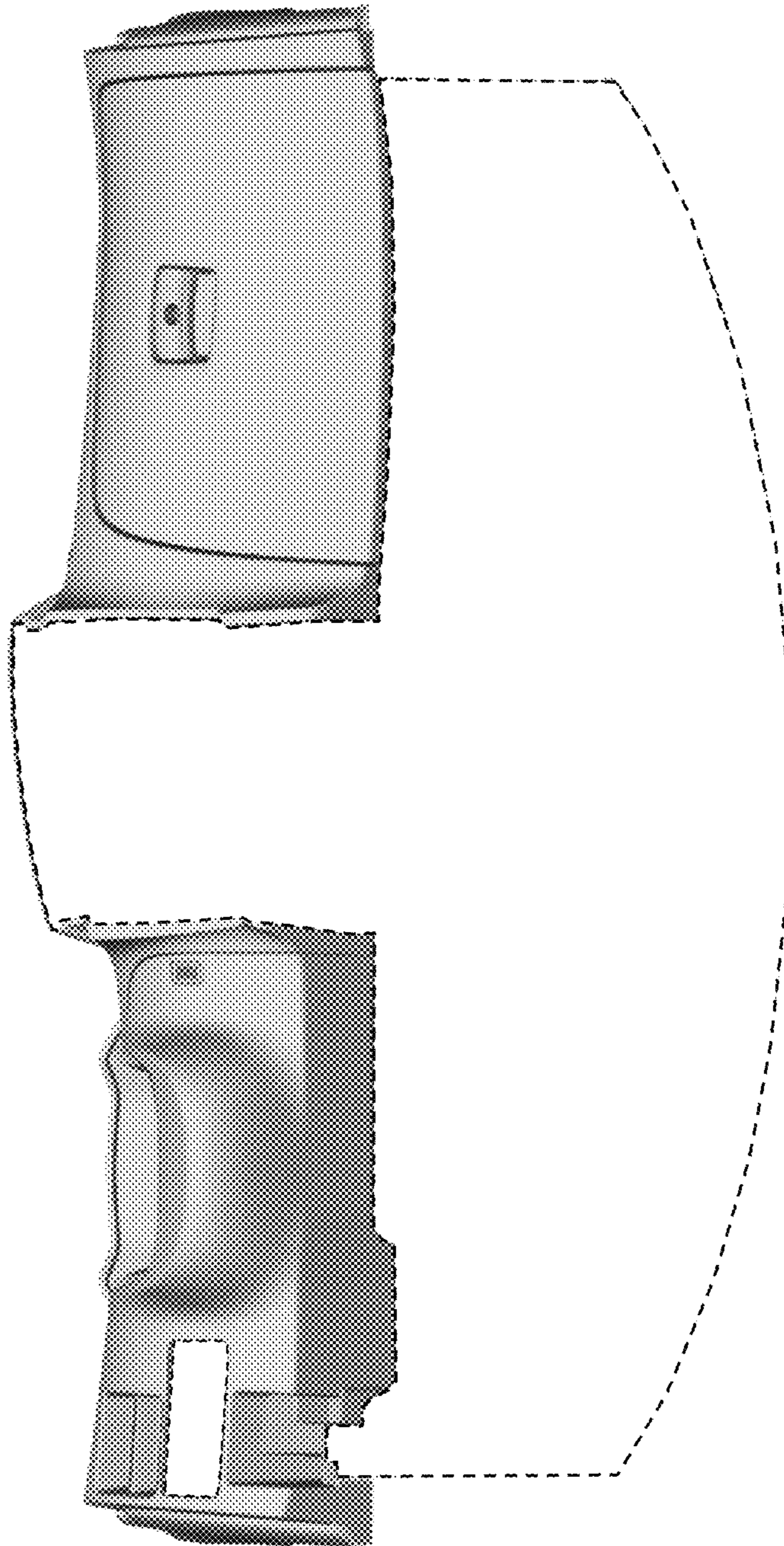


FIG. 3

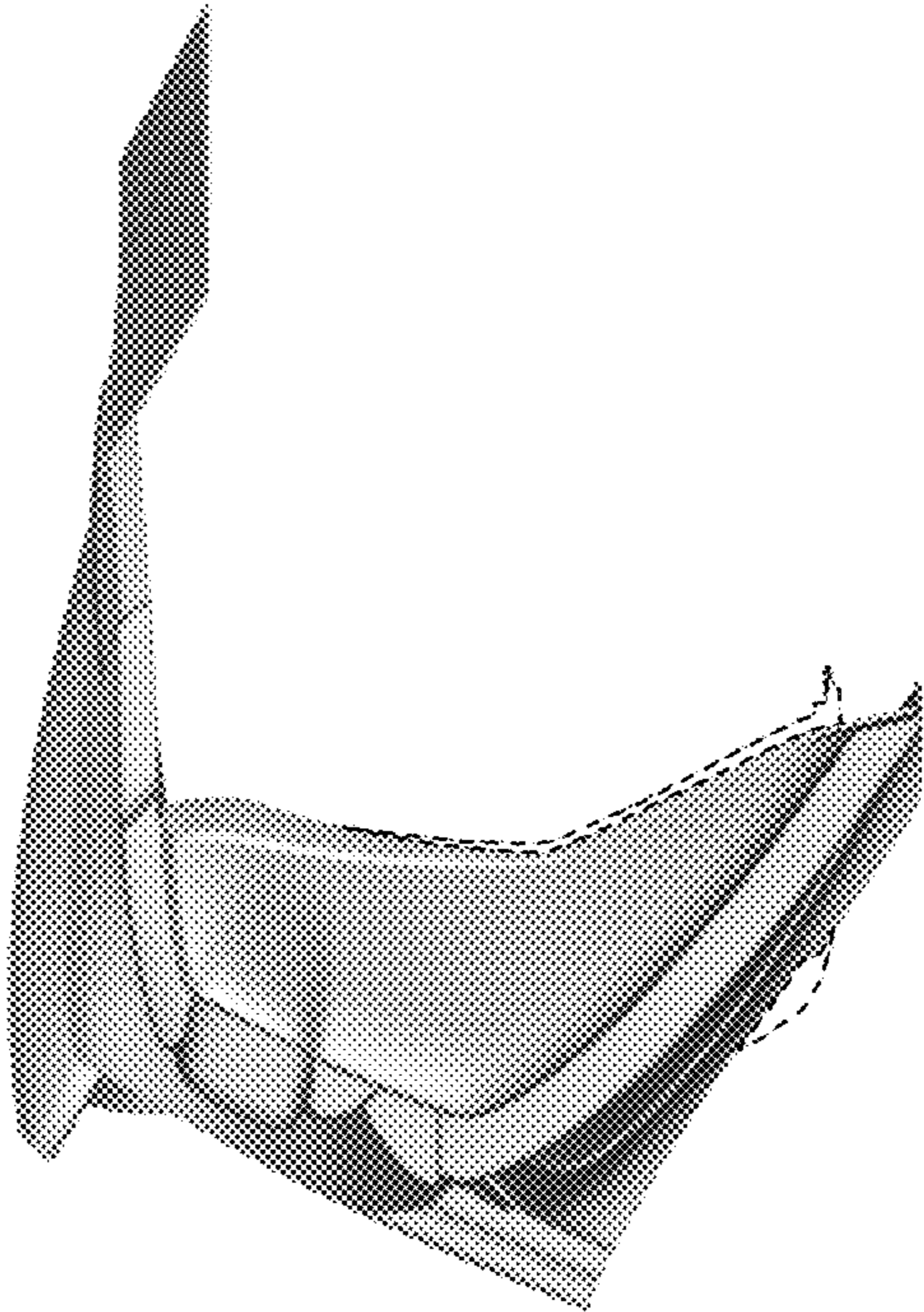


FIG. 4

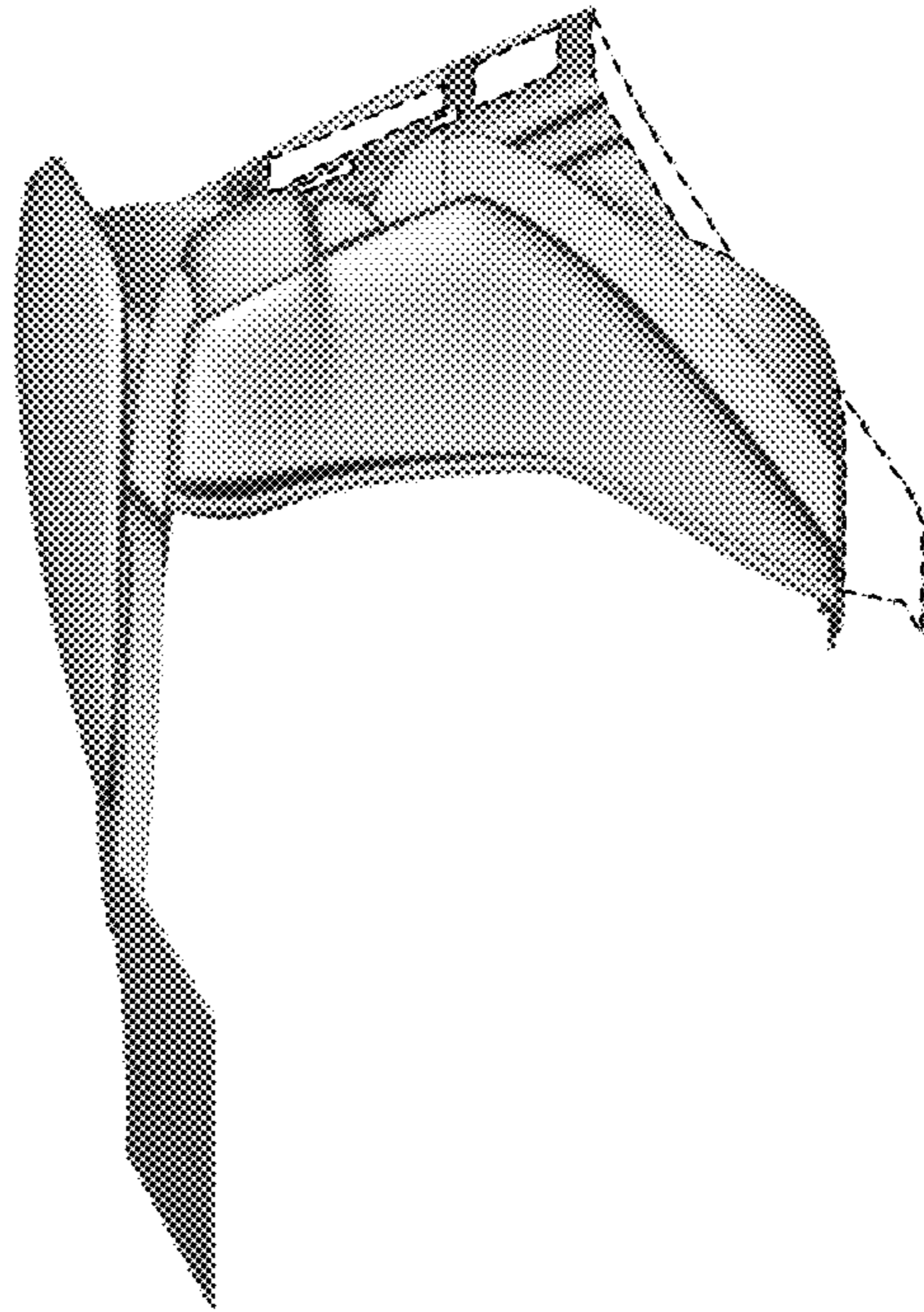


FIG. 5

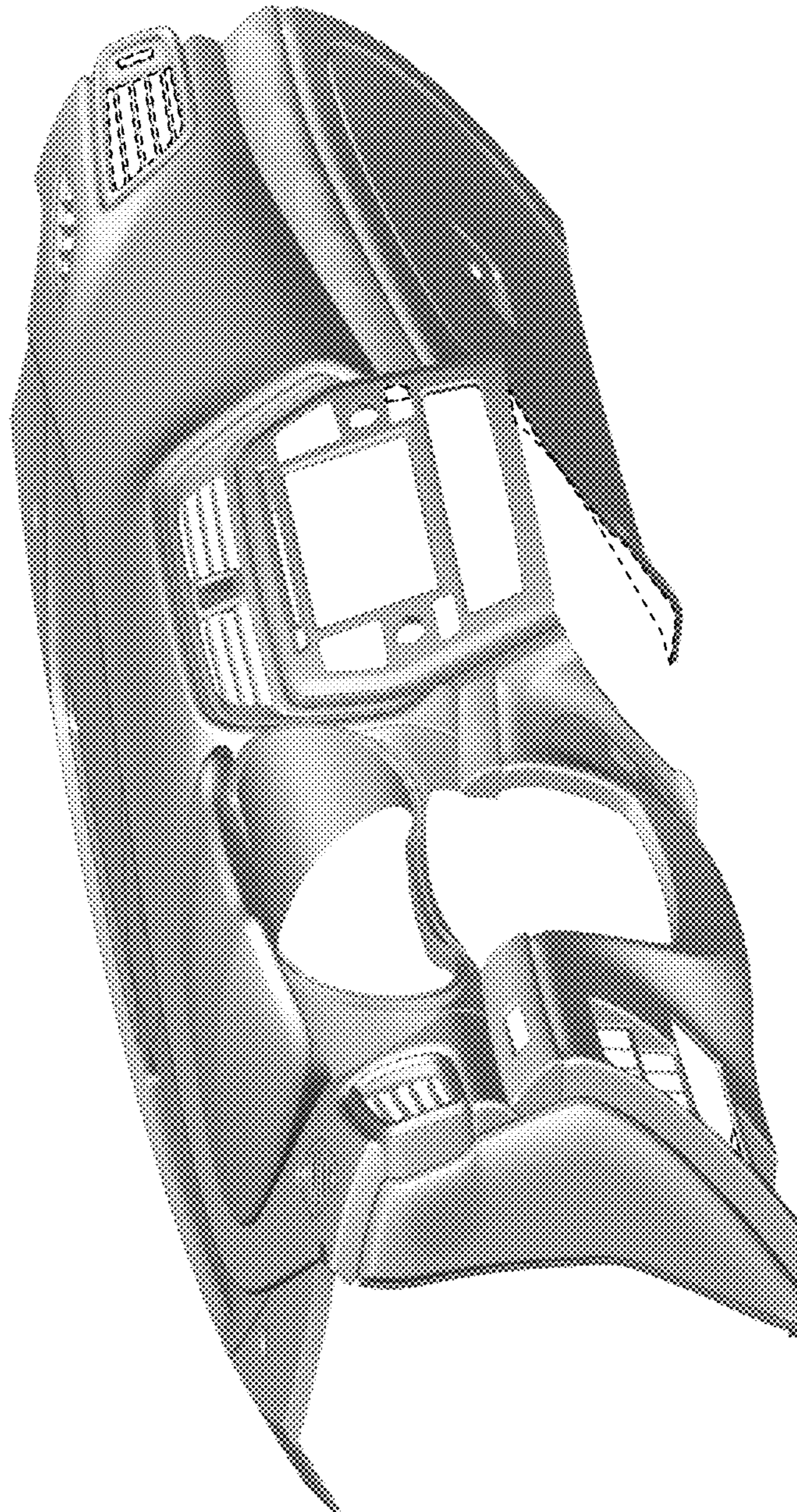


FIG. 6

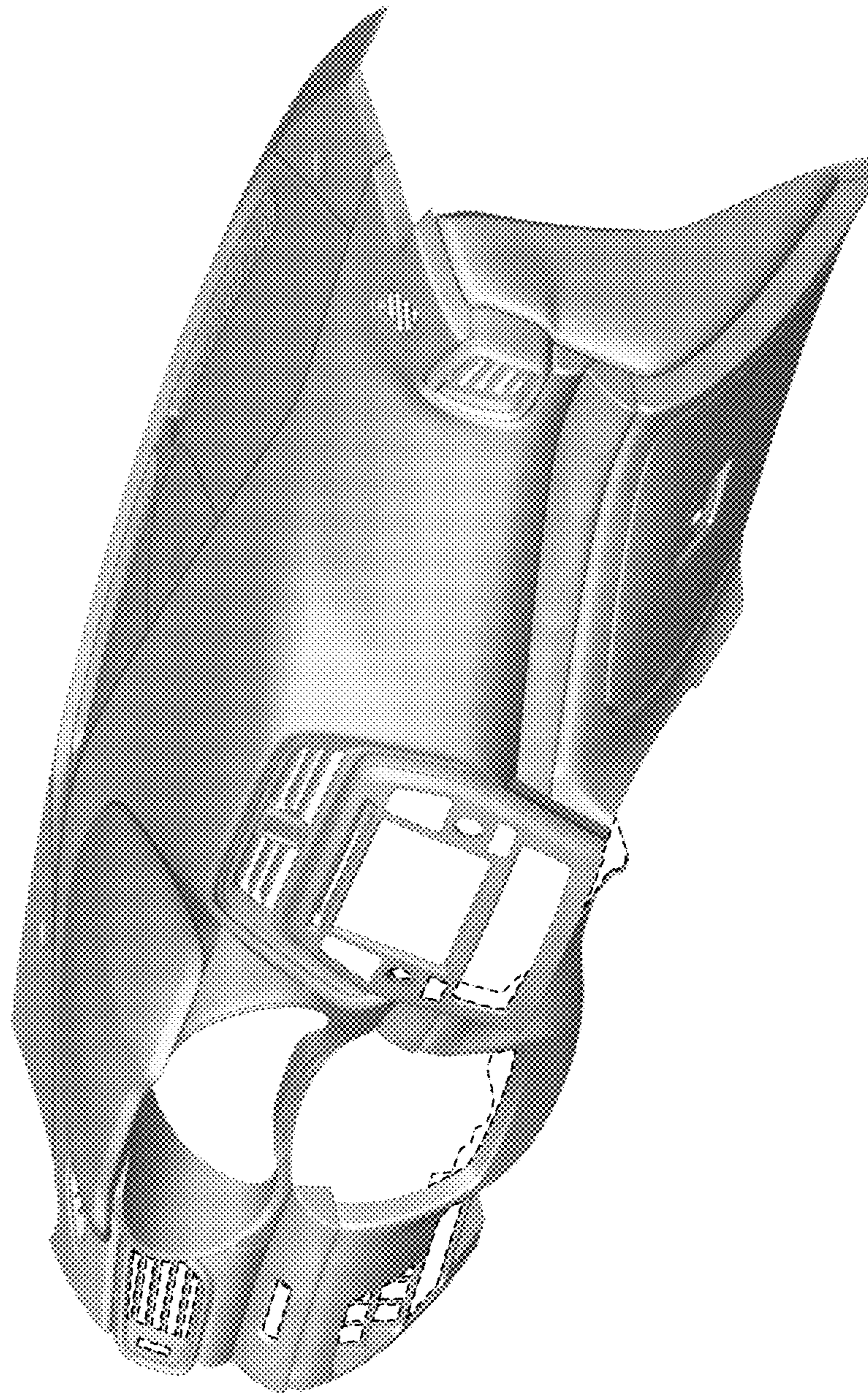


FIG. 7