



US00D763153S

(12) **United States Design Patent**
Blachere et al.

(10) **Patent No.:** **US D763,153 S**

(45) **Date of Patent:** **** Aug. 9, 2016**

(54) **VEHICLE DASHBOARD**

(71) Applicant: **ACTIA AUTOMOTIVE**, Toulouse (FR)

(72) Inventors: **Sébastien Blachere**, Pompertuzat (FR);
Philippe Boutonnet, Mons (FR)

(73) Assignee: **ACTIA AUTOMOTIVE**, Toulouse (FR)

(**) Term: **14 Years**

(21) Appl. No.: **29/521,320**

(22) Filed: **Mar. 23, 2015**

(30) **Foreign Application Priority Data**

Sep. 22, 2014 (EP) 00254246-0001

(51) **LOC (10) Cl.** **12-16**

(52) **U.S. Cl.**
USPC **D12/192**

(58) **Field of Classification Search**
USPC D12/192, 415, 110, 114; D15/17, 28;
D10/46, 98, 102-103, 122-127
See application file for complete search history.

(56) **References Cited**

U.S. PATENT DOCUMENTS

D697,848 S * 1/2014 Maruyama D12/192
D697,849 S * 1/2014 Tanaka D12/192
D699,171 S * 2/2014 Matsuo D12/192
D704,608 S * 5/2014 Kanda D12/192

D705,143 S * 5/2014 Kawashima D12/192
D705,144 S * 5/2014 Ishikawa D12/192
D705,711 S * 5/2014 Yamamoto D12/192
D737,186 S * 8/2015 Nakao D12/192

* cited by examiner

Primary Examiner — Katrina A Betton

(74) *Attorney, Agent, or Firm* — Nicholas Trenkle; Stites & Harbison, PLLC

(57) **CLAIM**

The ornamental design for a vehicle dashboard, as shown and described.

DESCRIPTION

The patent or application file contains at least one drawing executed in color. Copies of this patent or patent application publication with color drawing(s) will be provided by the Office upon request and payment of the necessary fee.

FIG. 1 is a front perspective view of a vehicle dashboard from a position above the vehicle dashboard showing our new design;

FIG. 2 is a rear perspective view thereof;

FIG. 3 is a left-side perspective view thereof from a position above the vehicle dashboard; and,

FIG. 4 is a right-side perspective view thereof from a position above the vehicle dashboard.

The surfaces or portions of the vehicle dashboard not shown in the drawings or described in the specification form no part of the claimed design.

1 Claim, 4 Drawing Sheets
(4 of 4 Drawing Sheet(s) Filed in Color)





Figure 1

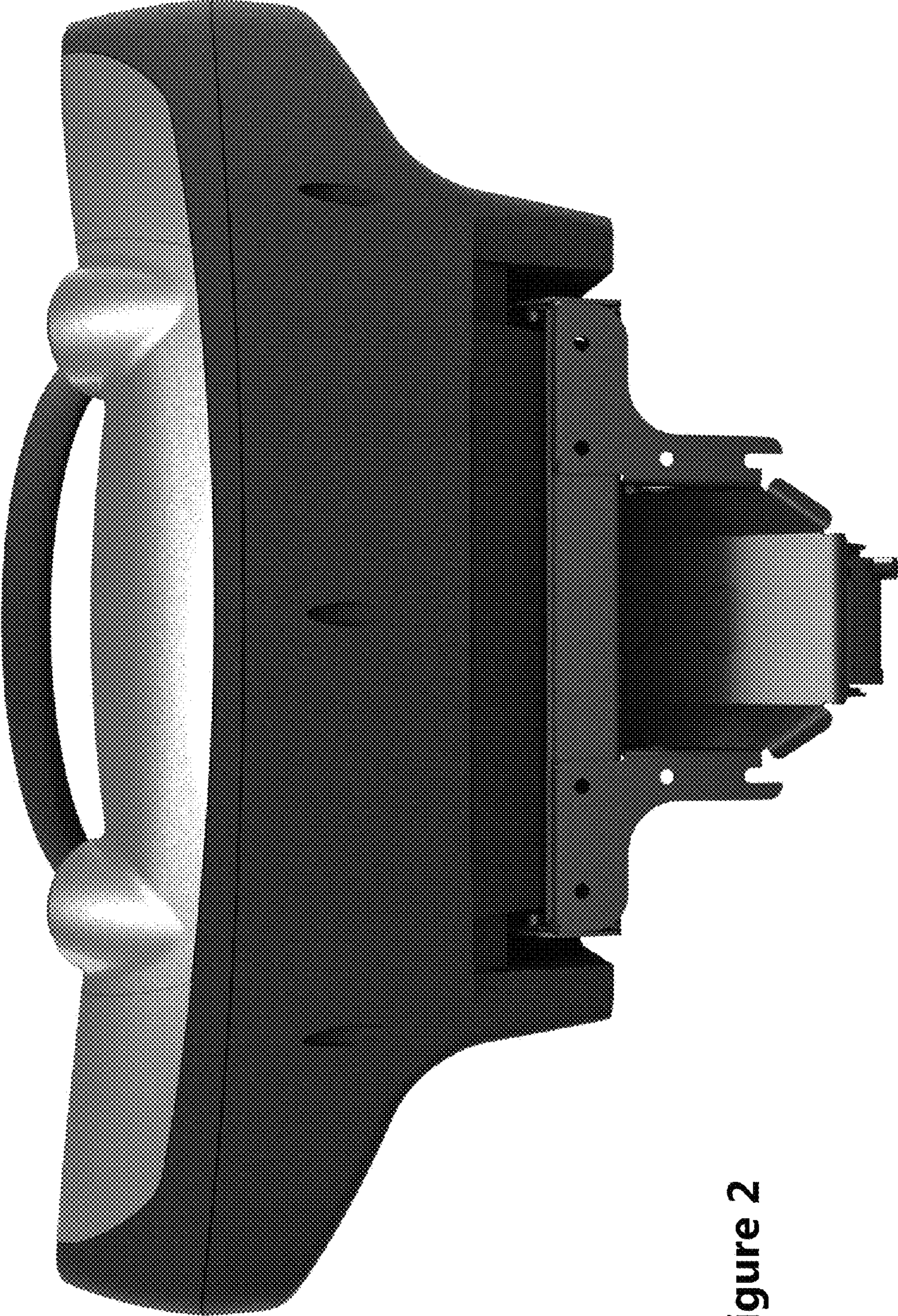


Figure 2



Figure 3



Figure 4