

US00D763140S

(12) **United States Design Patent**
Gariglio et al.

(10) **Patent No.:** **US D763,140 S**

(45) **Date of Patent:** **** Aug. 9, 2016**

(54) **BILLET PUSH ROD**

(71) Applicant: **Inter-Power Corporation**, Almont, MI (US)

(72) Inventors: **Gary M. Gariglio**, Metamora, MI (US); **Edward P. Potoczak**, Rochester Hills, MI (US); **Brian C. Smith**, Almont, MI (US); **David J. Wagner**, Port Huron, MI (US); **James W. Nankervis**, Imlay City, MI (US); **Patrick H. McRee**, Lapeer, MI (US)

(73) Assignee: **INTER-POWER CORPORATION**, Almont, MI (US)

(**) Term: **14 Years**

(21) Appl. No.: **29/522,763**

(22) Filed: **Apr. 2, 2015**

Related U.S. Application Data

(63) Continuation-in-part of application No. 29/497,584, filed on Jul. 25, 2014.

(51) **LOC (10) Cl.** **15-09**

(52) **U.S. Cl.**
USPC **D12/138**

(58) **Field of Classification Search**
USPC D15/128, 131, 138, 140; D19/65, 72; D12/174
See application file for complete search history.

(56) **References Cited**

U.S. PATENT DOCUMENTS

1,660,128 A * 2/1928 Joy 123/90.63
2,067,114 A * 1/1937 Ashton 123/90.61
3,550,415 A * 12/1970 Tarenskeen 72/31.07
4,719,785 A * 1/1988 Gancia 72/250

4,850,315 A * 7/1989 Mallas 123/90.61
5,000,137 A * 3/1991 Wreinert et al. 123/90.61
5,154,145 A * 10/1992 Blane 123/90.61
5,226,312 A * 7/1993 Gautier et al. 73/129
5,507,100 A * 4/1996 Magnet et al. 33/603
5,558,185 A * 9/1996 Tribuzio et al. 188/72.6

(Continued)

OTHER PUBLICATIONS

SMS Elotherm GmbH, iZone Innovation, <https://web.archive.org/web/20130510101215/http://www.sms-elotherm.com/en/products/induction-heating.html>, May 10, 2013.

(Continued)

Primary Examiner — Patricia Palasik

(74) *Attorney, Agent, or Firm* — Young Basile Hanlon & MacFarlane, P.C.

(57) **CLAIM**

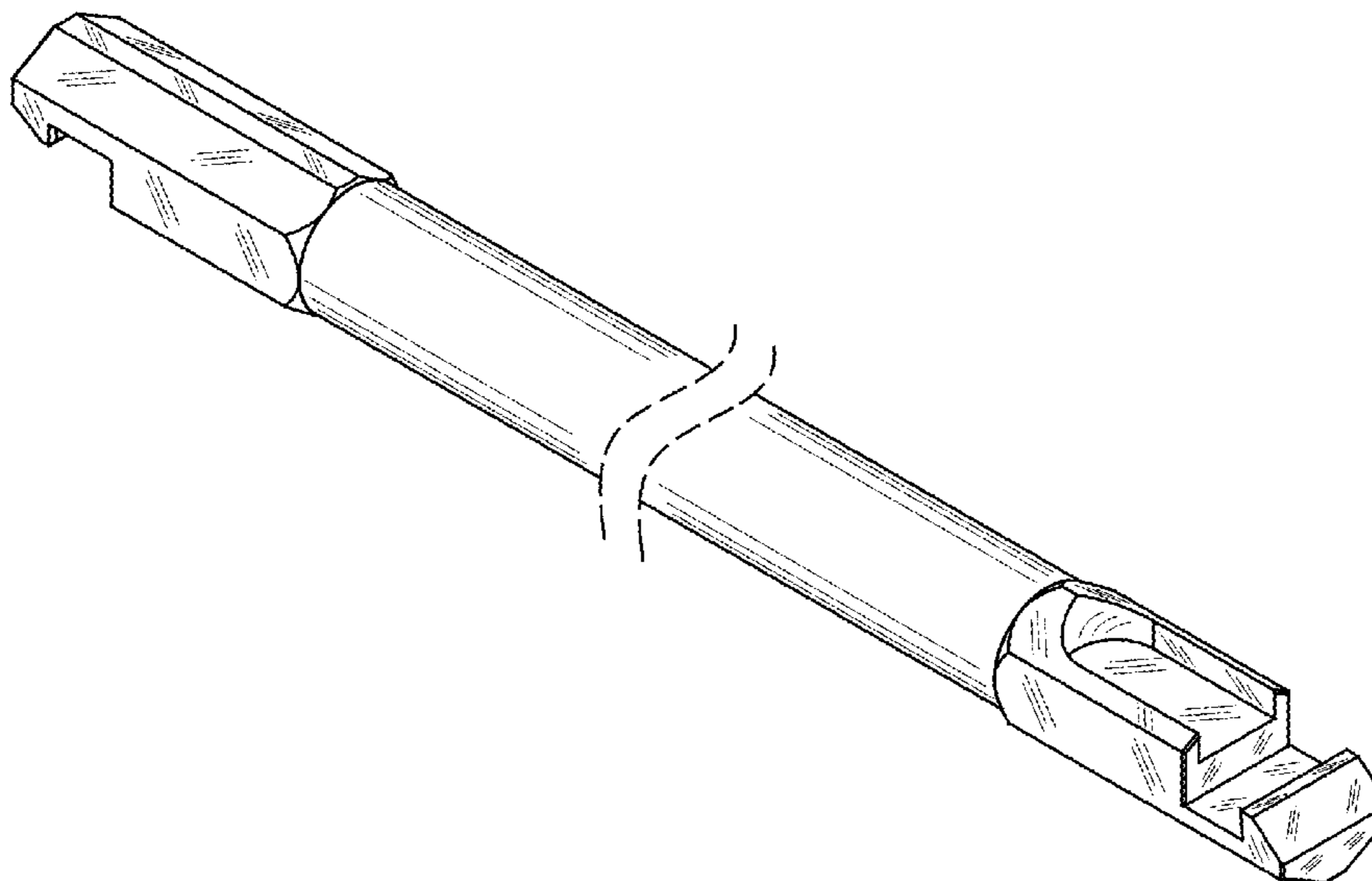
What is claimed is the ornamental design for a billet push rod, as shown and described.

DESCRIPTION

FIG. 1 is a front view of the rod;
FIG. 2 is a top view of the rod shown in FIG. 1;
FIG. 3 is a rear view of the rod shown in FIG. 1;
FIG. 4 is a bottom view of the rod shown in FIG. 1;
FIG. 5 is a left-end view of the rod shown in FIG. 1;
FIG. 6 is a right-end view of the rod shown in FIG. 1;
FIG. 7 is a right end top perspective view of the rod shown in FIG. 1;
FIG. 8 is a right end bottom perspective view of the rod shown in FIG. 1; and,
FIG. 9 is a left end top perspective view of the rod shown in FIG. 1.

The broken lines in the drawings depict unclaimed environmental subject matter.

1 Claim, 5 Drawing Sheets



(56)

References Cited

U.S. PATENT DOCUMENTS

5,934,151 A * 8/1999 Carr et al. 74/512
5,976,130 A * 11/1999 McBrayer et al. 606/48
6,065,984 A * 5/2000 Tung 439/159
6,112,681 A * 9/2000 Adcox 112/80.4
6,238,132 B1 * 5/2001 Plantan et al. 403/343
6,279,667 B1 * 8/2001 Culver 175/19
6,470,790 B1 * 10/2002 Hewitt 92/187
6,581,558 B1 * 6/2003 Ott 123/90.61
6,584,943 B1 * 7/2003 Klotz 123/90.16
6,691,659 B2 * 2/2004 Laimbock 123/90.61
6,744,360 B2 * 6/2004 Fulks et al. 340/479

6,854,436 B1 * 2/2005 English 123/90.61
7,409,755 B2 * 8/2008 Smith et al. 29/219
7,465,309 B2 * 12/2008 Walen 606/167
7,513,610 B2 * 4/2009 Silverbrook et al. 347/84
7,633,024 B1 * 12/2009 Gibboney, Jr. 200/51.1
7,669,328 B1 * 3/2010 Wake 29/890.053

OTHER PUBLICATIONS

SMS Elotherm Gmbh, iZone Innovation, <http://www.sms-elotherm.com/en/products/induction-heating/energy-management-izone.html>, Jun. 11, 2015.

* cited by examiner

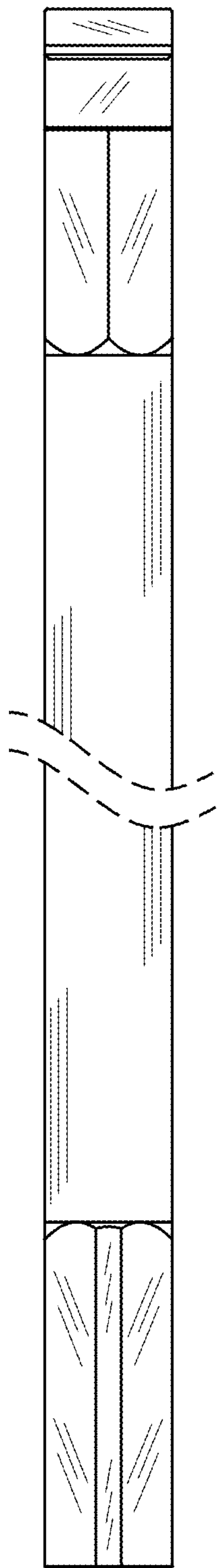


FIG. 1

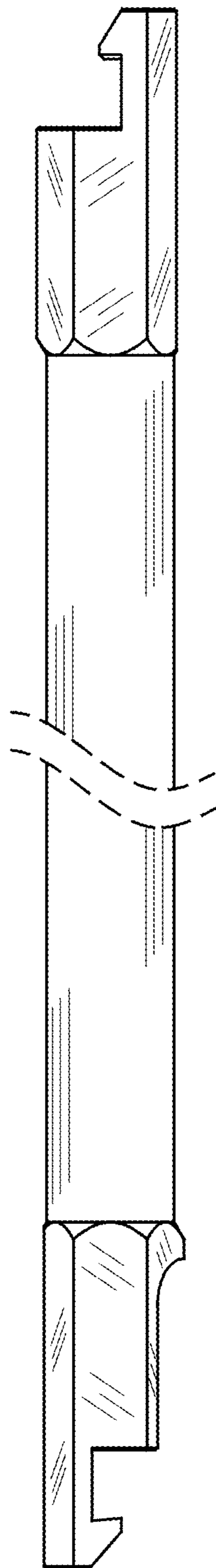


FIG. 2

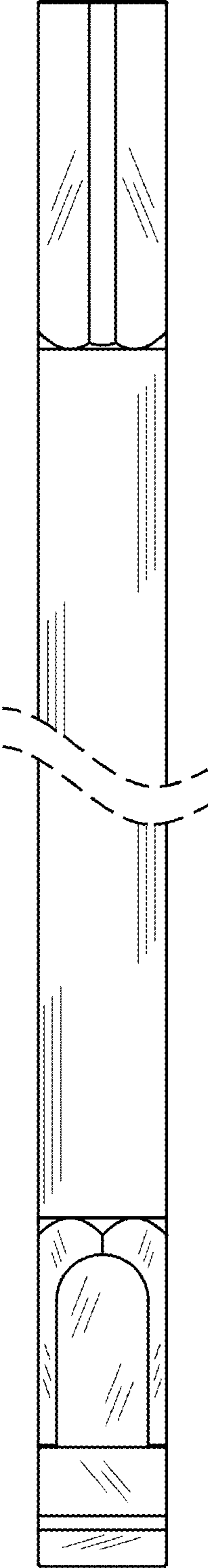


FIG. 3

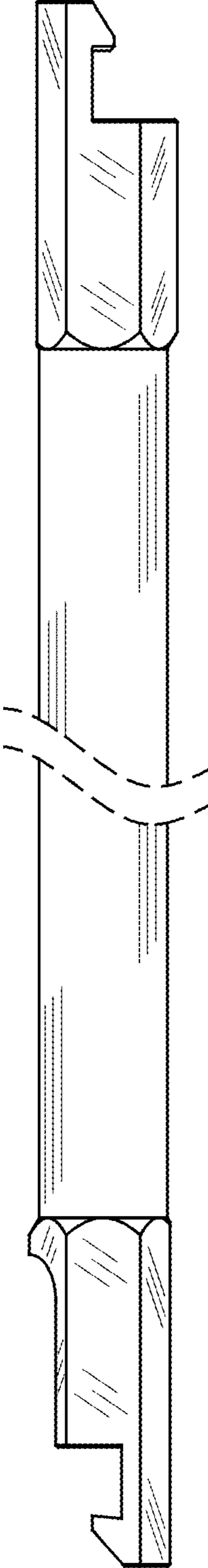


FIG. 4

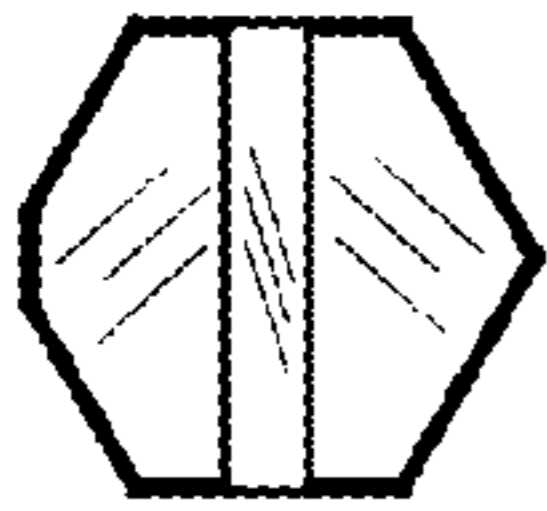


FIG. 5

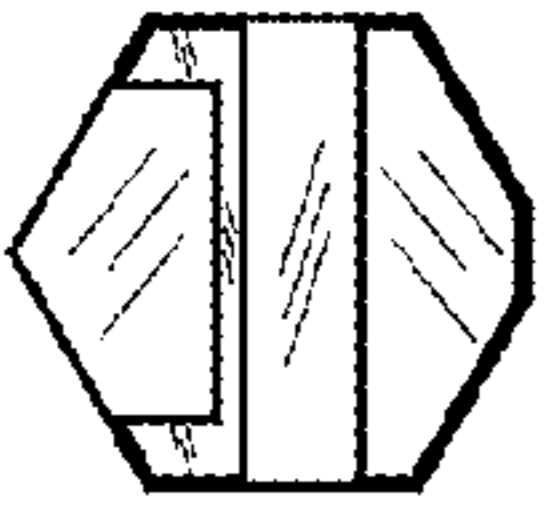


FIG. 6

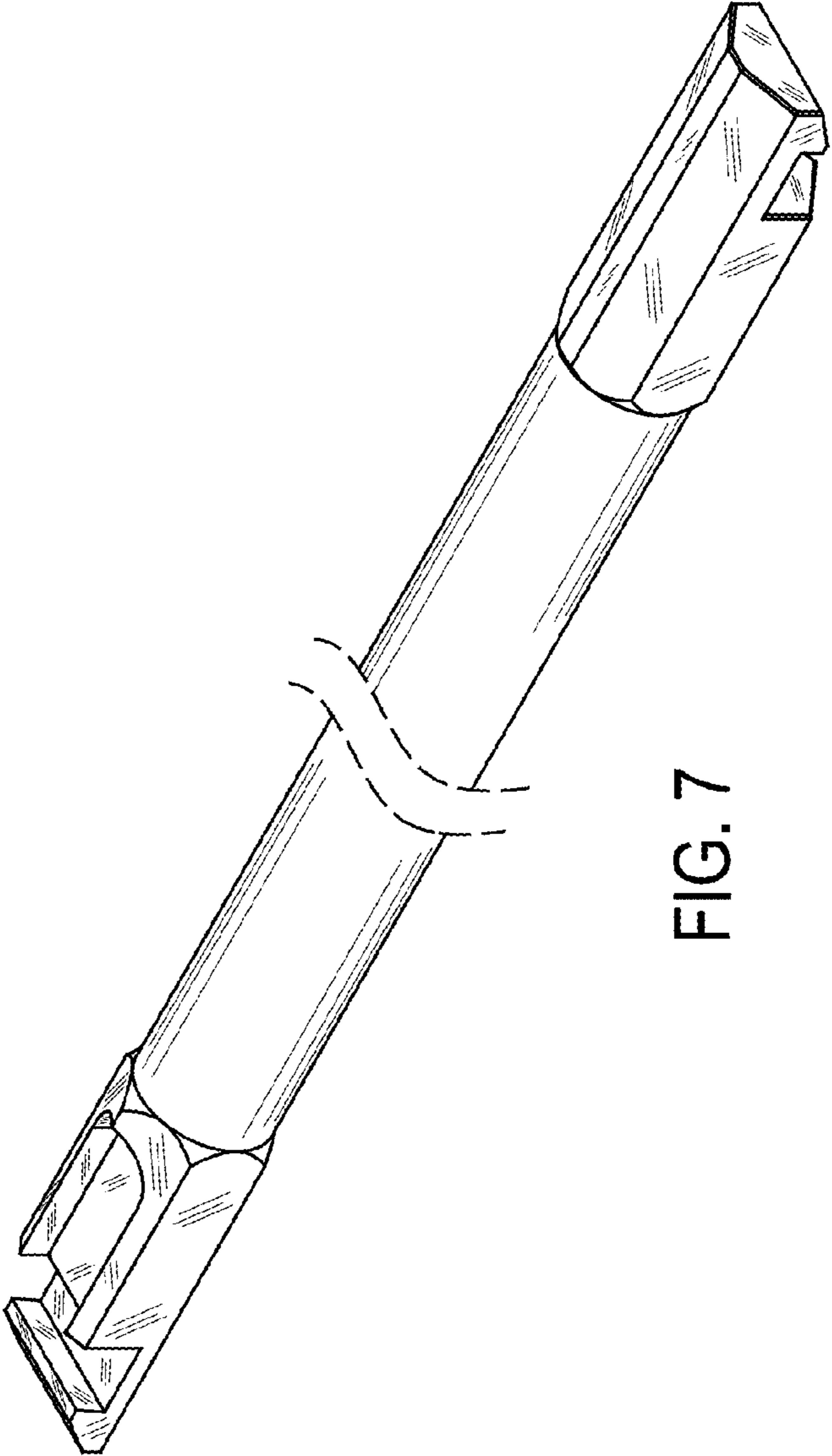


FIG. 7

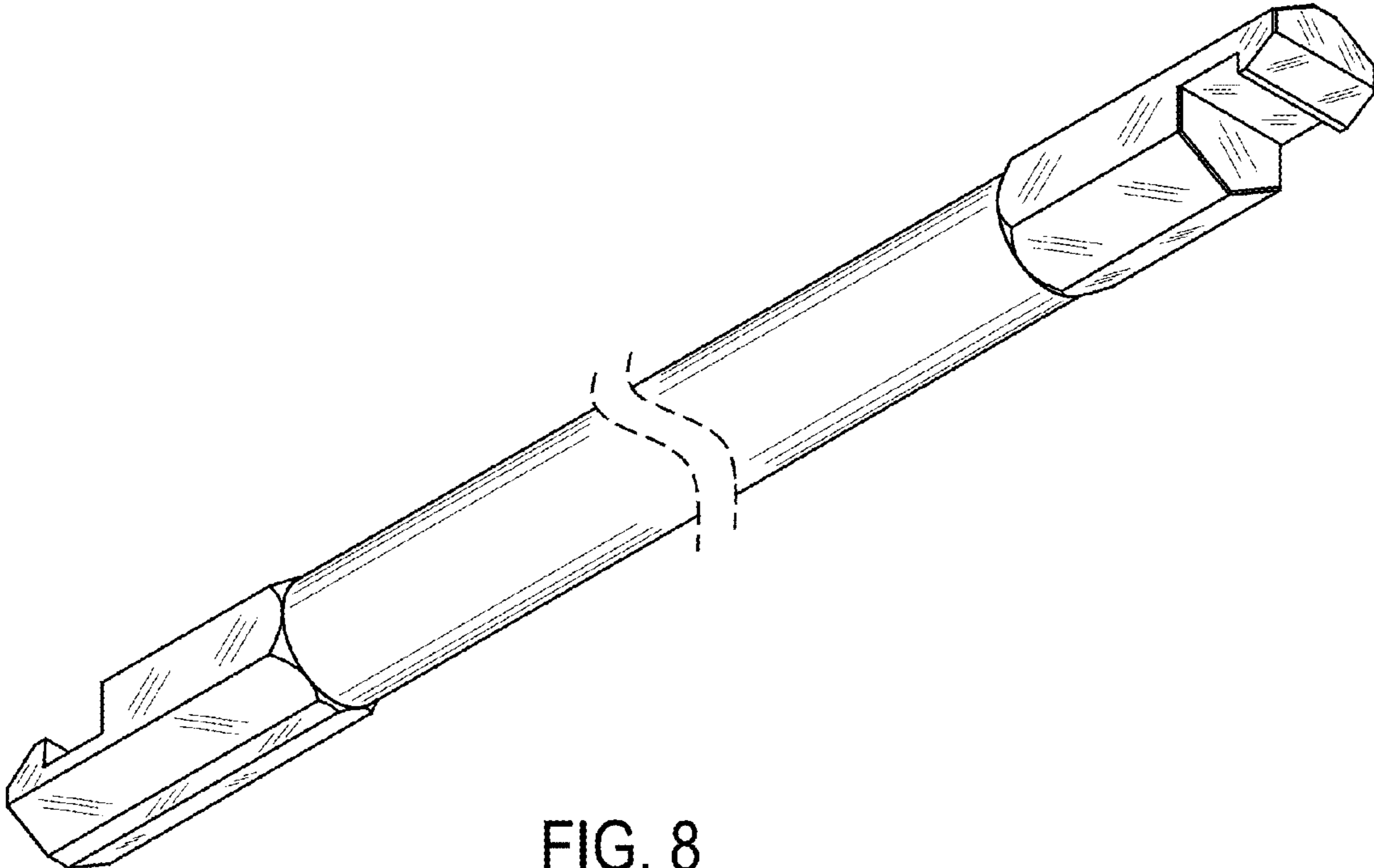


FIG. 8

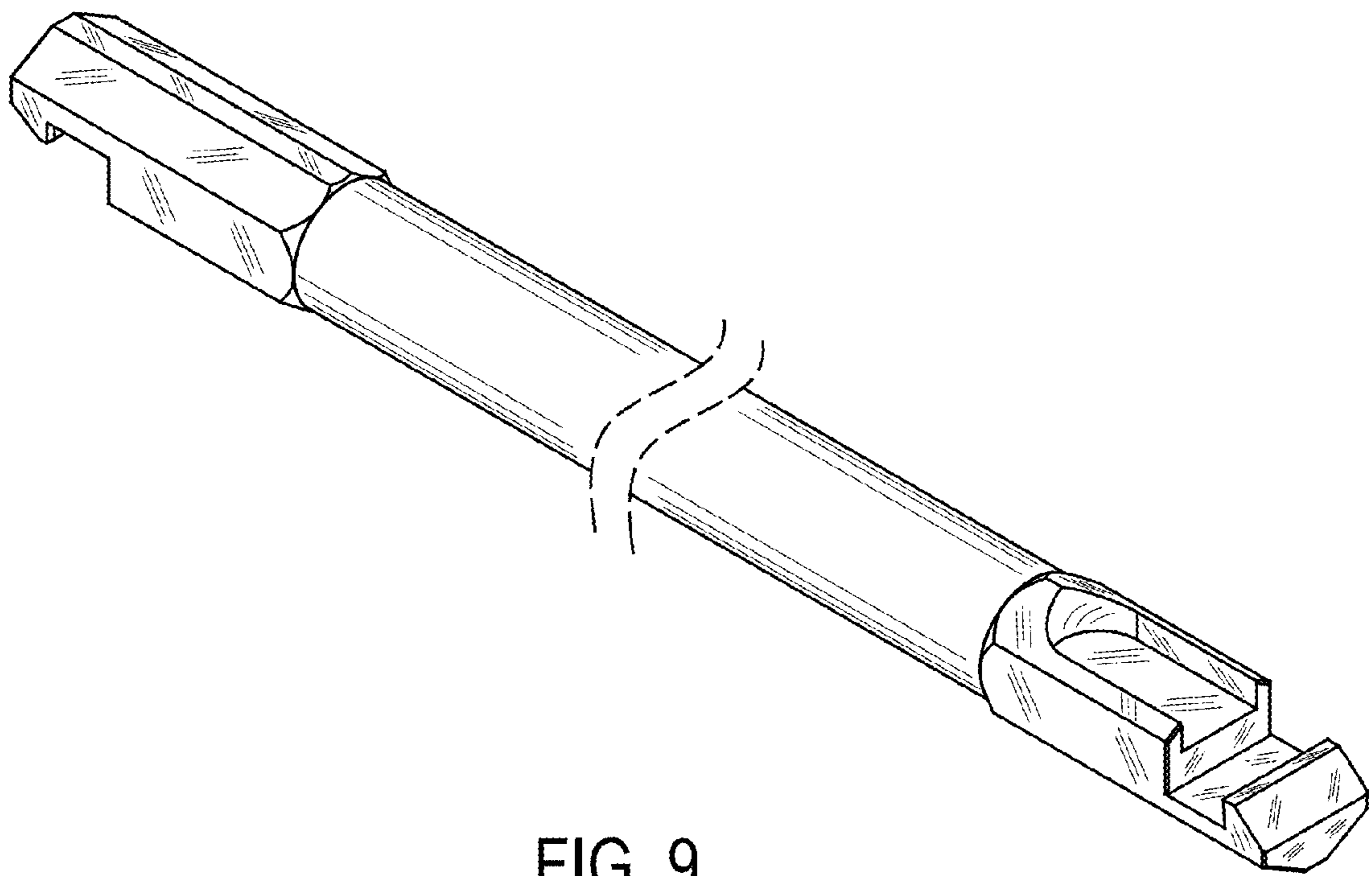


FIG. 9