

US00D763139S

(12) **United States Design Patent**  
**Giolito**

(10) **Patent No.:** **US D763,139 S**

(45) **Date of Patent:** **\*\* Aug. 9, 2016**

(54) **VAN**

(71) Applicant: **Fiat Group Automobiles S.p.A.**, Turin (IT)

(72) Inventor: **Roberto Giolito**, Turin (IT)

(73) Assignee: **Fiat Group Automobiles S.p.A.**, Turin (IT)

(\*\*) Term: **14 Years**

(21) Appl. No.: **29/511,195**

(22) Filed: **Dec. 8, 2014**

(30) **Foreign Application Priority Data**

Jun. 12, 2014 (EM) ..... 002481259

(51) **LOC (10) Cl.** ..... **12-08**

(52) **U.S. Cl.**  
USPC ..... **D12/99; D12/91**

(58) **Field of Classification Search**  
USPC ..... D12/86, 90-92, 99; D21/421, 433, 434;  
296/181.1, 181.5

CPC ..... B62D 35/00; B62D 25/00; B62D 25/06;  
B62D 25/08; B62D 33/00

See application file for complete search history.

(56) **References Cited**

U.S. PATENT DOCUMENTS

D514,029 S *	1/2006	Truong	.....	D12/99
D719,486 S *	12/2014	Murakami	.....	D12/91
D731,362 S *	6/2015	Gorsten Schuenemann	..	D12/91
D732,429 S *	6/2015	Loeb	.....	D12/91
D732,431 S *	6/2015	Loeb	.....	D12/91
D734,690 S *	7/2015	Ahn	.....	D12/91

\* cited by examiner

*Primary Examiner* — Melody N Brown

(74) *Attorney, Agent, or Firm* — Cowan, Liebowitz & Latman, P.C.

(57) **CLAIM**

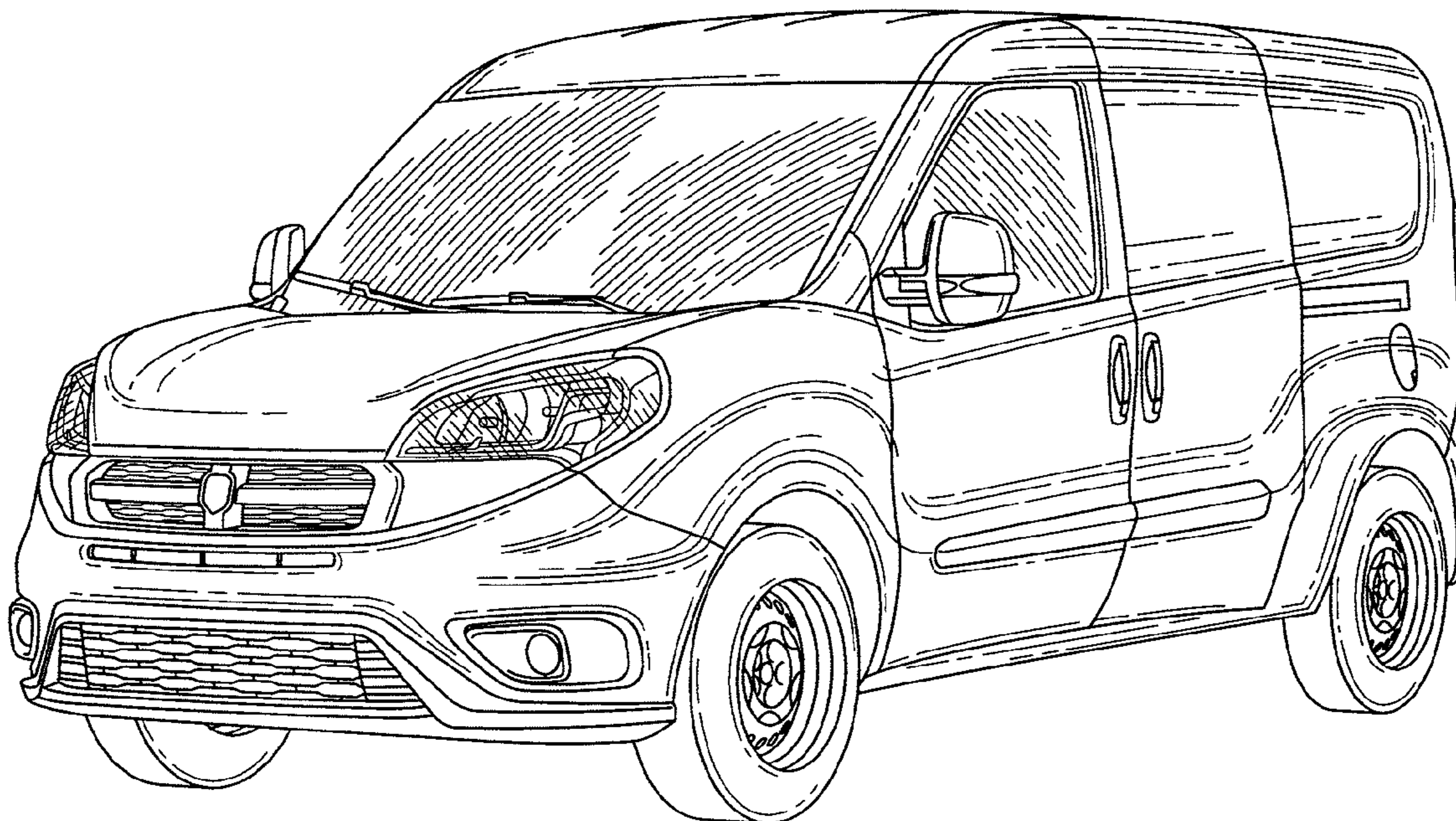
The ornamental design for a van, as shown and described.

**DESCRIPTION**

FIG. 1 is a front view of the van showing my design thereof; FIG. 2 is a rear view thereof; FIG. 3 is a right side view thereof; FIG. 4 is a left side view thereof; FIG. 5 is a left front perspective view thereof; FIG. 6 is a right front perspective view thereof; and, FIG. 7 is a rear perspective view thereof.

The present design relates to a van, including a passenger van, a minivan, a utility van, a toy van, a replica van and a scale-model van.

**1 Claim, 6 Drawing Sheets**



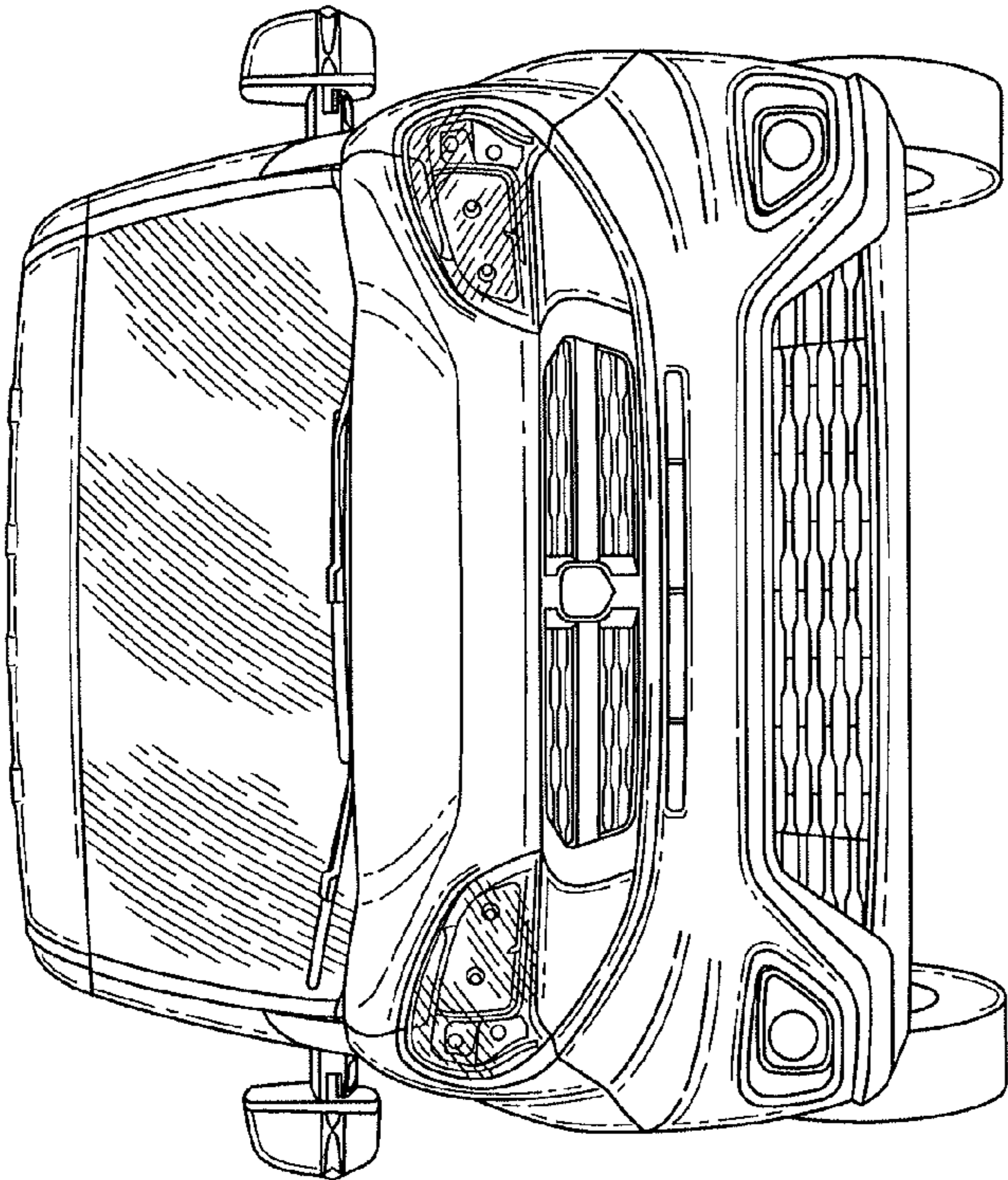


FIG. 1

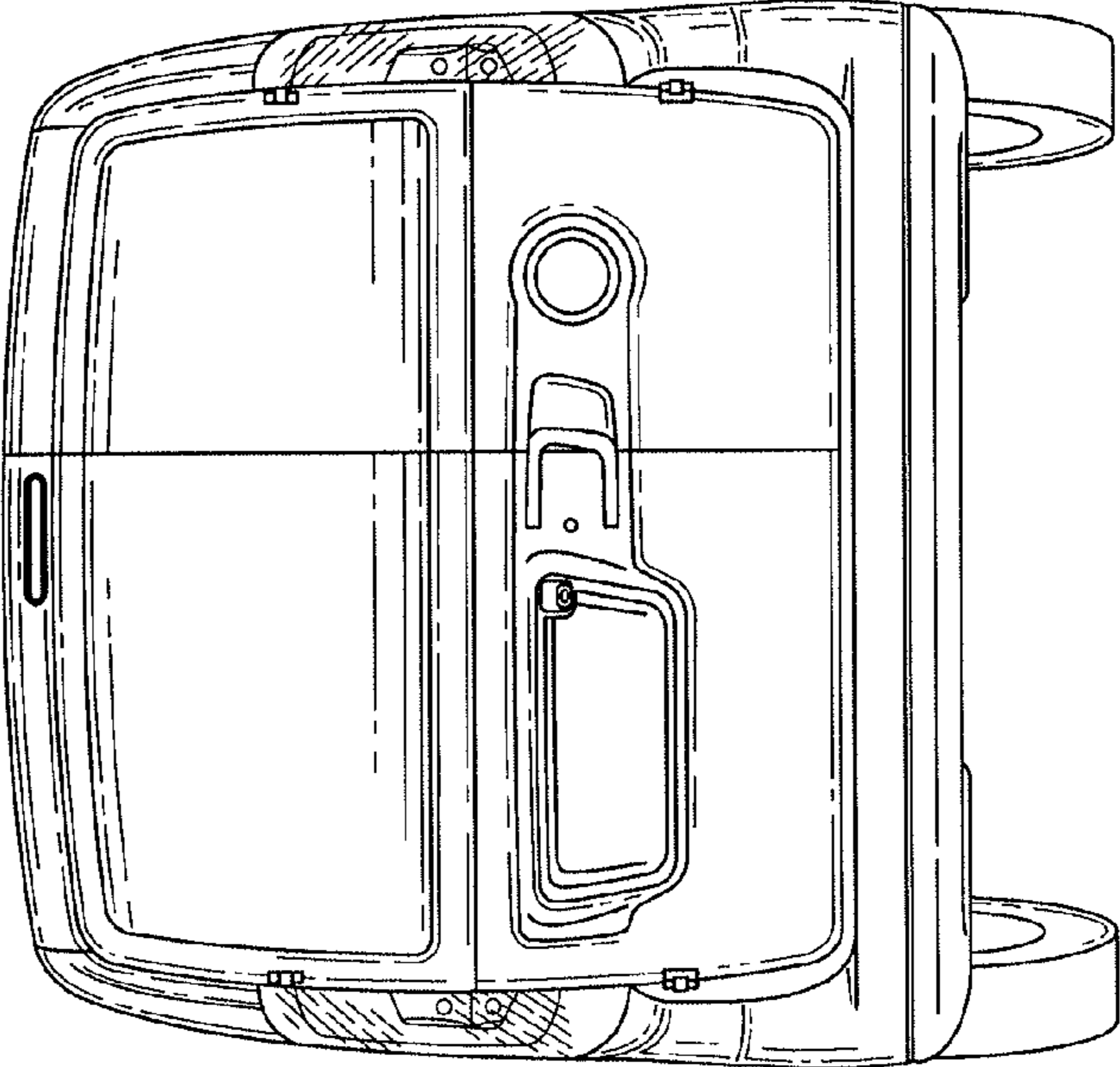


FIG. 2

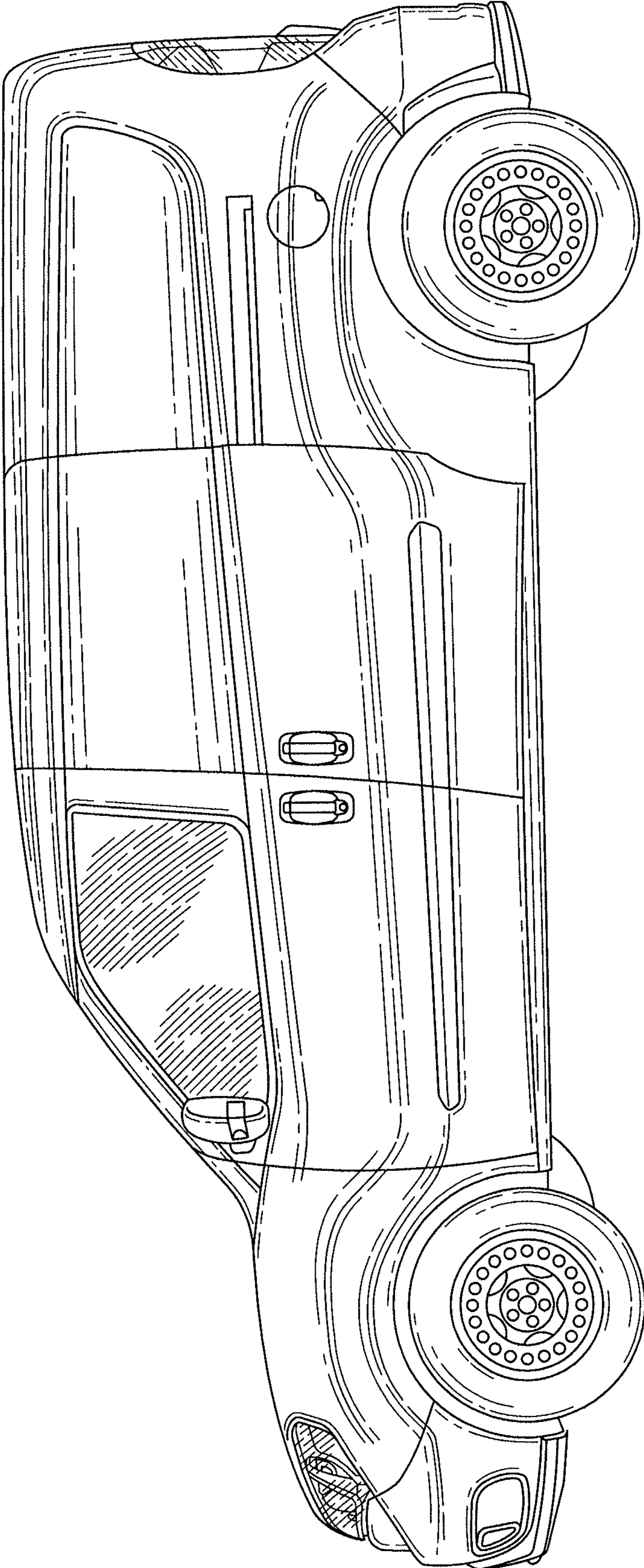


FIG. 3

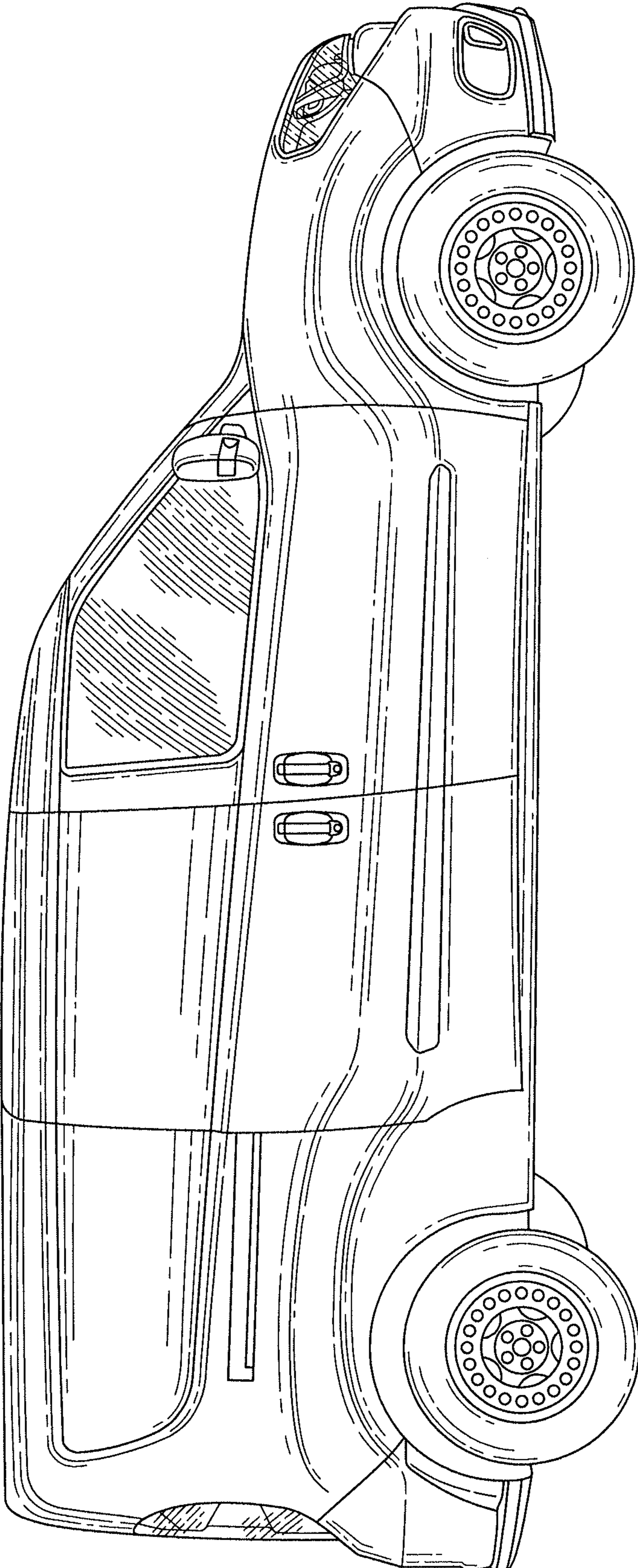


FIG. 4

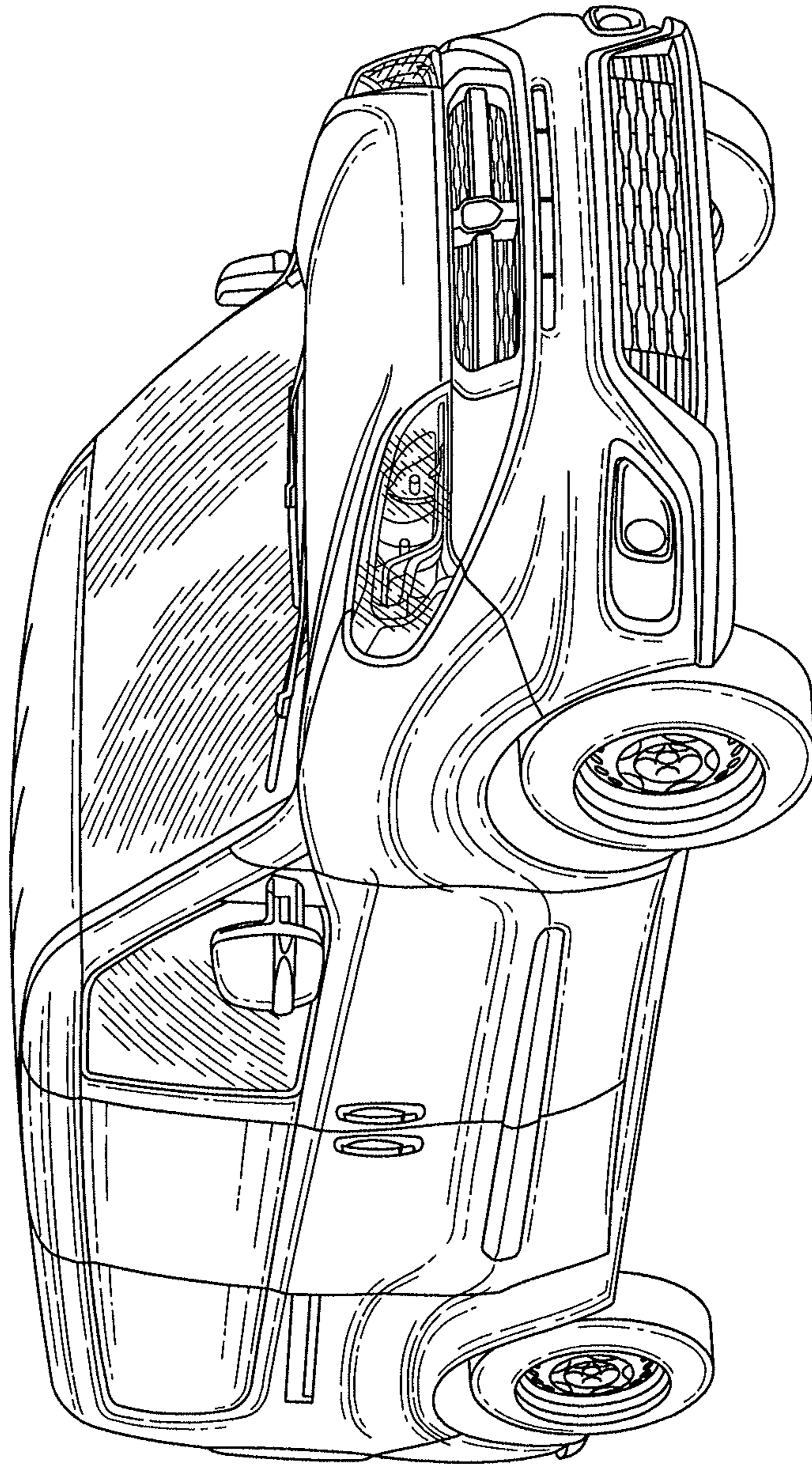


FIG. 5

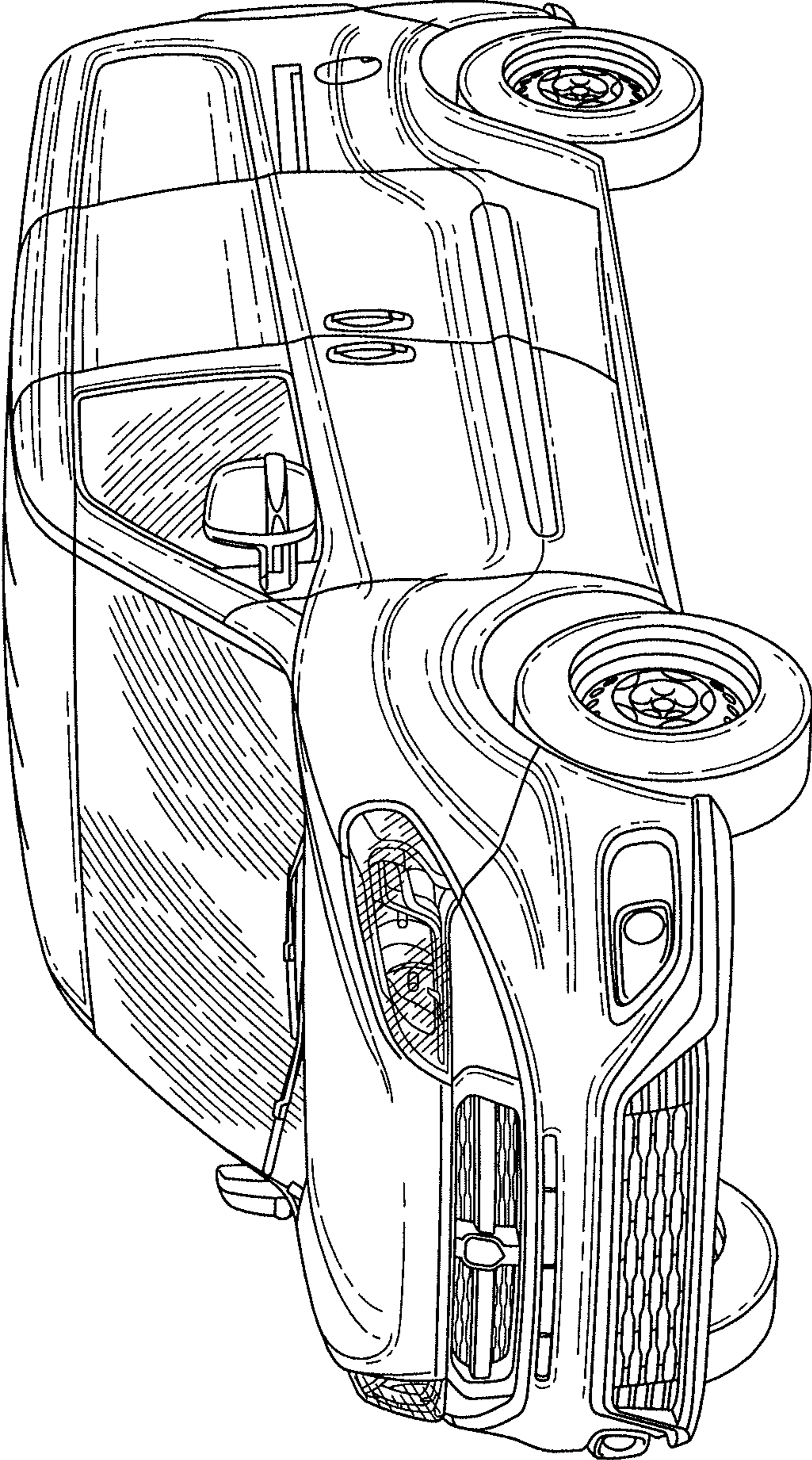


FIG. 6

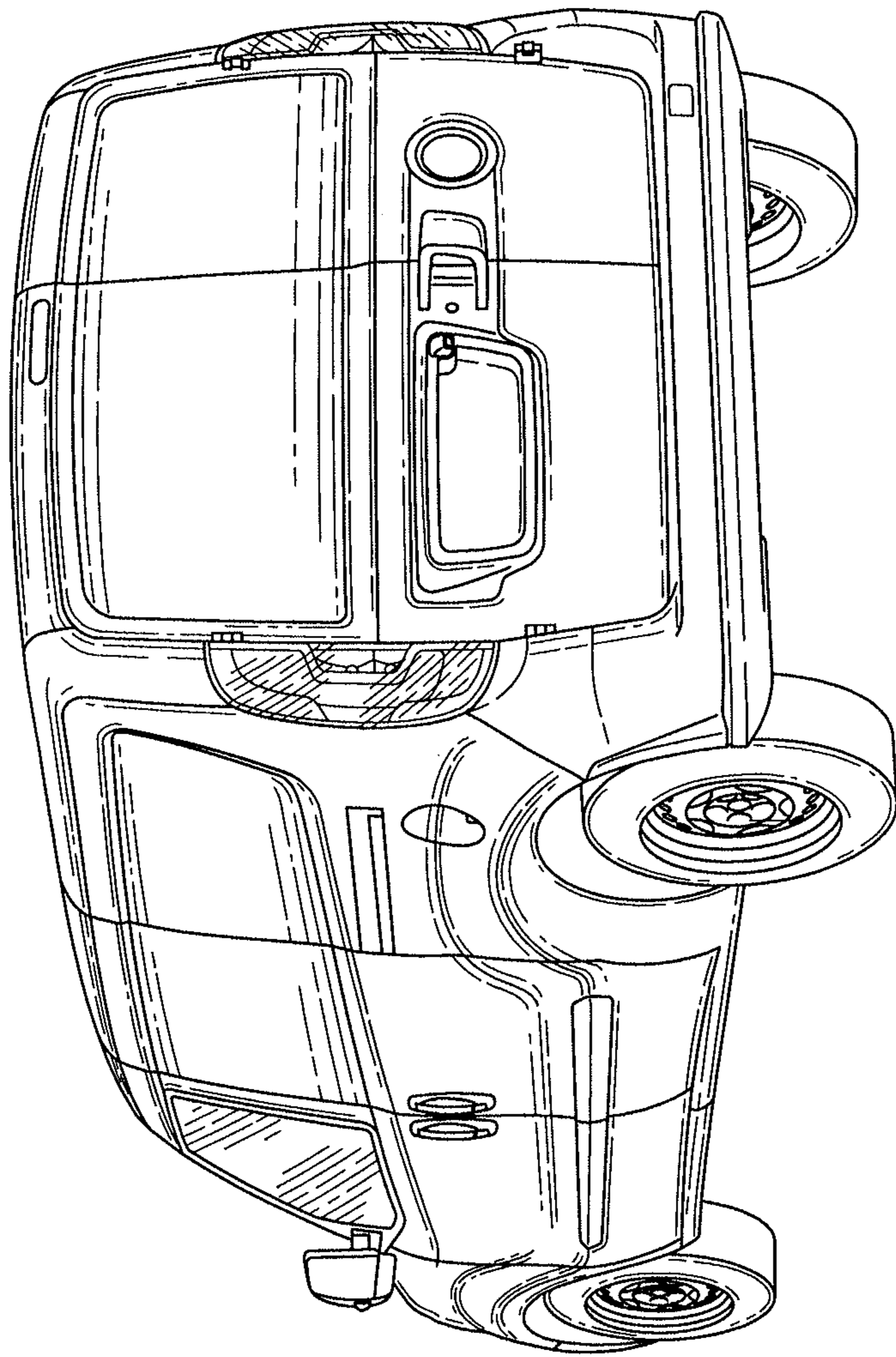


FIG. 7