



US00D763137S

(12) **United States Design Patent**
Rodriguez

(10) **Patent No.:** **US D763,137 S**

(45) **Date of Patent:** **** Aug. 9, 2016**

(54) **AUTOMOBILE**

FOREIGN PATENT DOCUMENTS

- (71) Applicant: **Nissan Motor Co., Ltd.**, Yokohama, Kanagawa (JP)
- (72) Inventor: **Randy Rodriguez**, San Diego, CA (US)
- (73) Assignee: **Nissan Motor Co., Ltd.**, Yokohama (JP)
- (**) Term: **14 Years**
- (21) Appl. No.: **29/525,535**
- (22) Filed: **Apr. 30, 2015**

JP	D1146746 S	7/2002
JP	D1160616 S	12/2002
JP	D1220121 S	10/2004
JP	D1220557 S	10/2004
JP	D1220341 S	9/2005
JP	D1209436 S	5/2006
JP	D1279747 S	8/2006
JP	D1288218 S	12/2006
JP	D1201524 S	3/2007
JP	D1201525 S	3/2007
JP	D1201769 S	3/2007
JP	D1201770 S	3/2007
JP	D1520957 S	4/2015
JP	D1521118 S	4/2015

(30) **Foreign Application Priority Data**

Nov. 12, 2014 (JP) 2014-025252

(51) **LOC (10) Cl.** **12-08**

(52) **U.S. Cl.**
USPC **D12/98**

(58) **Field of Classification Search**
USPC D12/86, 90-92, 88, 98; D21/424, 433,
D21/434, 533; 296/181.1, 181.5, 181.3,
296/183.1, 37.6
CPC B60R 9/06; B62D 35/00
See application file for complete search history.

(56) **References Cited**

U.S. PATENT DOCUMENTS

D494,105 S *	8/2004	Hall	D12/98
D500,461 S	1/2005	Noguchi et al.		
D570,742 S *	6/2008	Takagi	D12/98
D570,743 S *	6/2008	Takagi	D12/98
D604,203 S *	11/2009	O'Donnell	D12/98
D607,783 S *	1/2010	Roller	D12/98
D646,206 S *	10/2011	Sato	D12/98
D700,871 S *	3/2014	O'Donnell	D12/98
D703,586 S *	4/2014	Platto	D12/98
D718,190 S *	11/2014	Platto	D12/98
D725,001 S *	3/2015	McMahan	D12/98
D735,082 S *	7/2015	Sperling	D12/98

* cited by examiner

Primary Examiner — Melody N Brown

(74) *Attorney, Agent, or Firm* — Global IP Counselors, LLP

(57) **CLAIM**

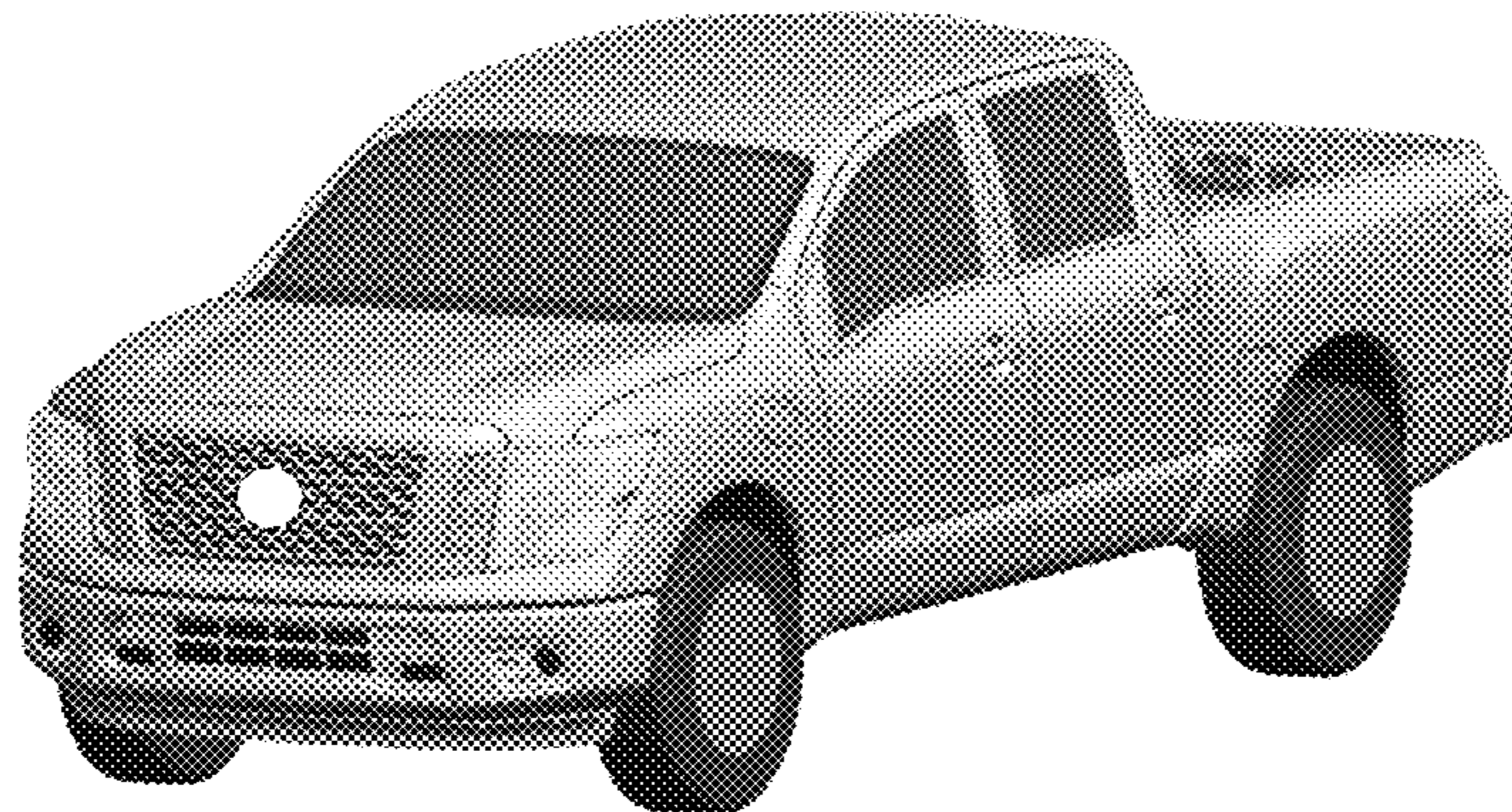
The ornamental design for an automobile, as shown and described.

DESCRIPTION

FIG. 1 is a front elevational view of an automobile showing our new design;
 FIG. 2 is a top plan view thereof;
 FIG. 3 is a right side elevational view thereof;
 FIG. 4 is a left side elevational view thereof;
 FIG. 5 is a front and left side perspective view thereof;
 FIG. 6 is a rear and right side perspective view thereof; and,
 FIG. 7 is a rear elevational view thereof.

The hidden surfaces from the bottom, obscured by a rear bumper, the wheels, and inside the wheel wells, but visible in the figures form no part of the claimed design. The broken line showings on the radiator grill and rear gate are for the purpose of illustrating environmental structure and form no part of the claimed design.

1 Claim, 7 Drawing Sheets



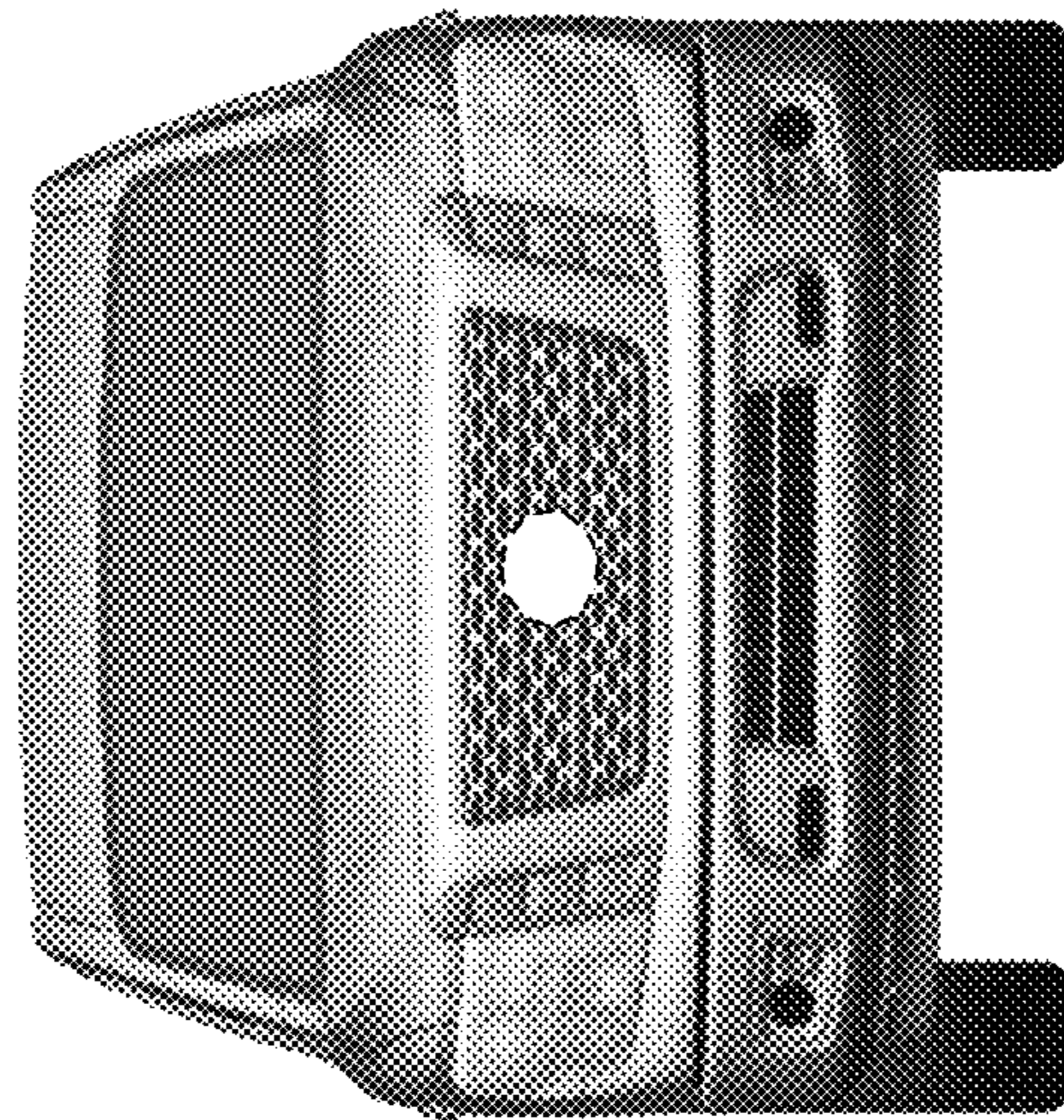


FIG. 1

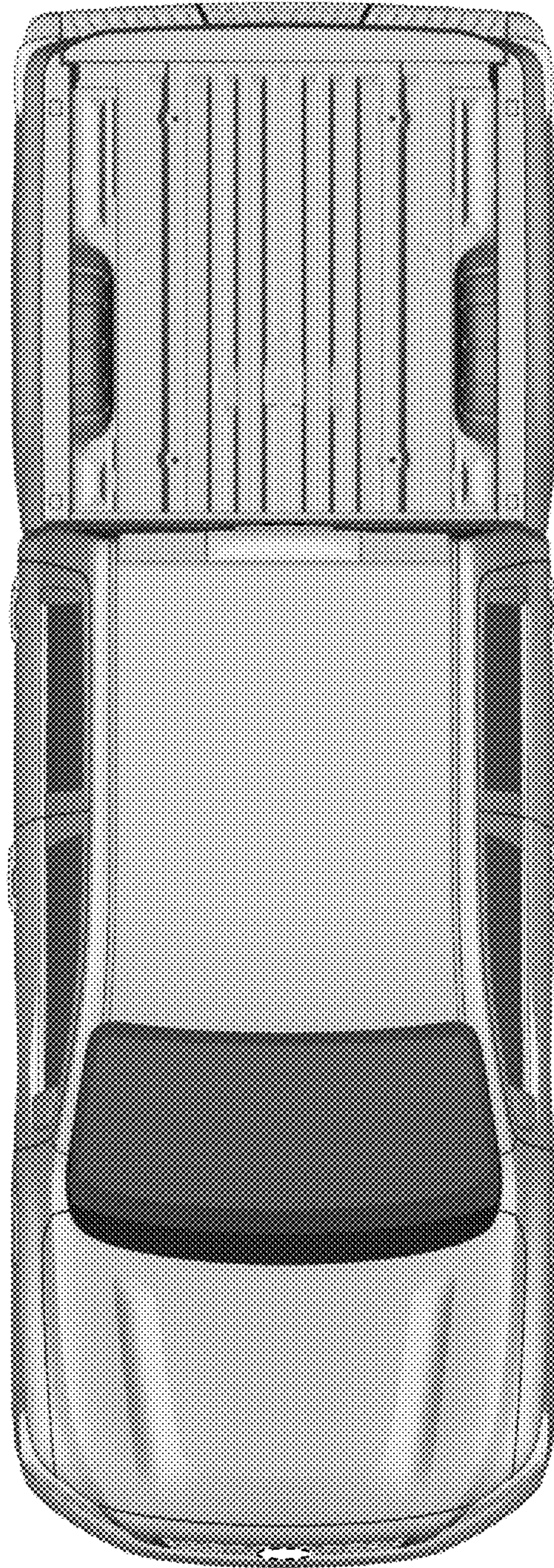


FIG. 2

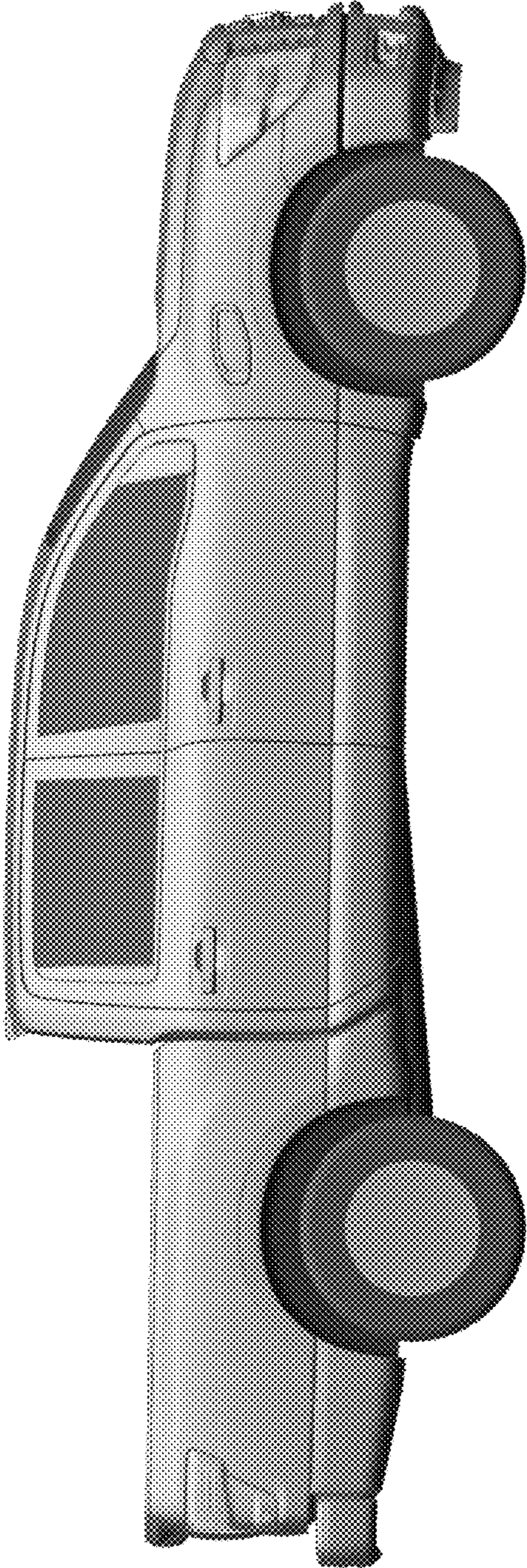


FIG. 3



FIG. 4



FIG. 5

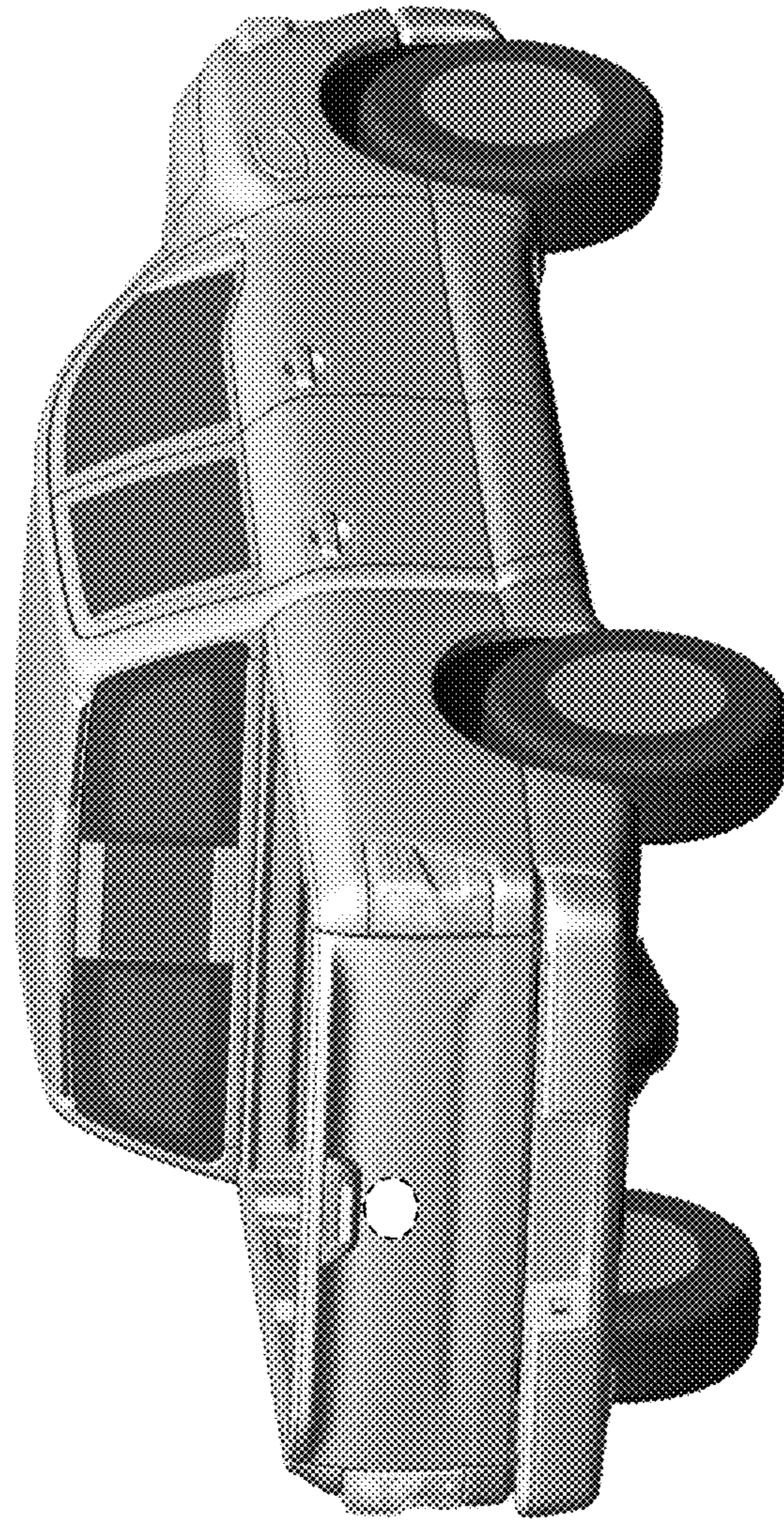


FIG. 6

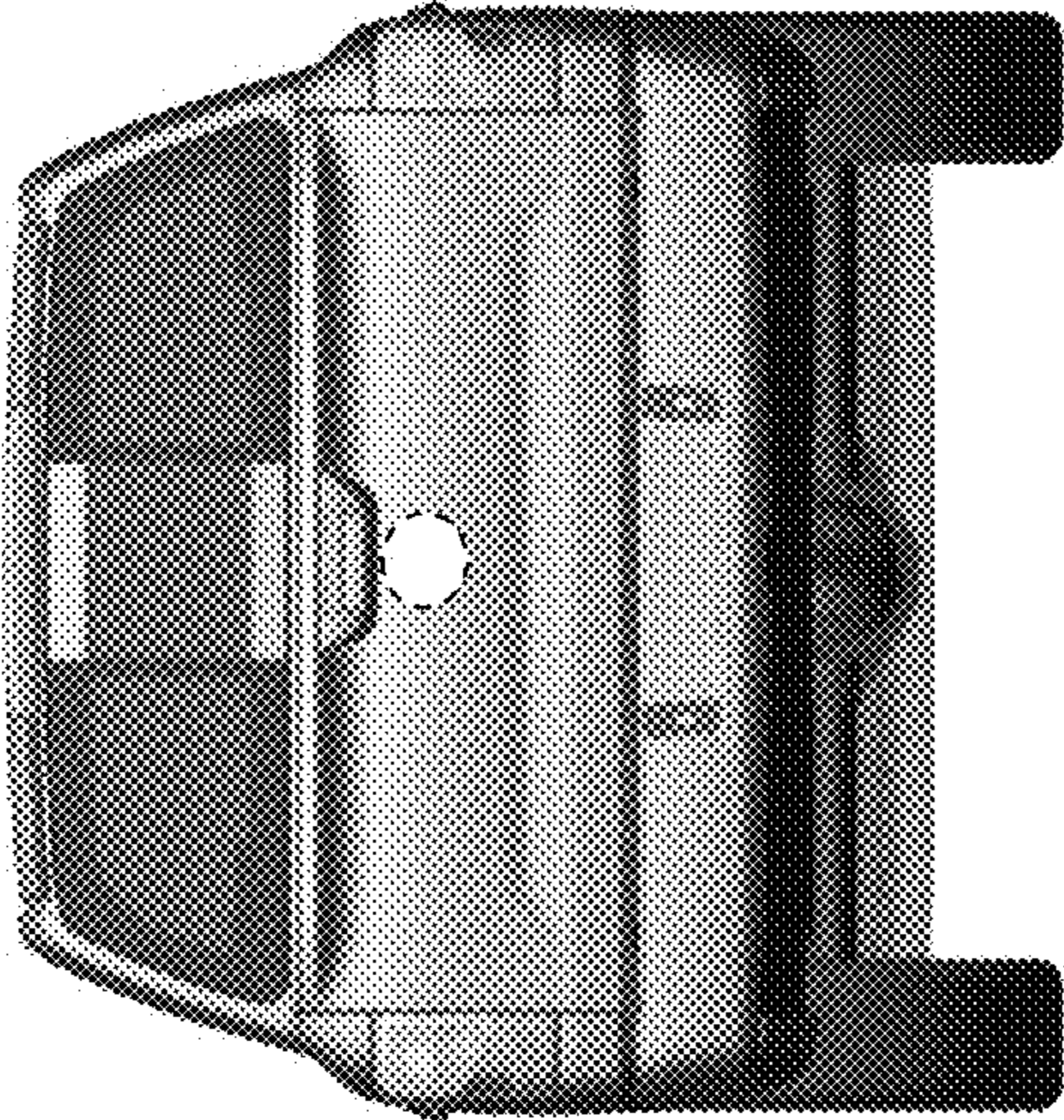


FIG. 7