



US00D763136S

(12) **United States Design Patent**
Minami

(10) **Patent No.:** **US D763,136 S**
(45) **Date of Patent:** **** Aug. 9, 2016**

(54) **AUTOMOBILE, TOY REPLICA AND/OR
OTHER REPLICAS**

(71) Applicant: **Honda Motor Co., Ltd.**, Tokyo (JP)

(72) Inventor: **Toshinobu Minami**, Wako (JP)

(73) Assignee: **Honda Motor Co., Ltd.**, Tokyo (JP)

(**) Term: **14 Years**

(21) Appl. No.: **29/520,899**

(22) Filed: **Mar. 18, 2015**

(30) **Foreign Application Priority Data**

Sep. 24, 2014 (JP) 2014-021096

(51) **LOC (10) Cl.** **12-08**

(52) **U.S. Cl.**
USPC **D12/92**

(58) **Field of Classification Search**
USPC D12/86, 90, 91, 92, 98; 296/37.6,
296/181.1, 181.5, 183.1; D21/424, 433,
D21/434

CPC B62D 25/00; B62D 25/06; B62D 33/00;
B62D 35/00

See application file for complete search history.

(56) **References Cited**

U.S. PATENT DOCUMENTS

D490,021 S *	5/2004	Saito	D12/92
D499,359 S *	12/2004	Tsukahara	D12/92
D525,174 S *	7/2006	Minowa	D12/92
D531,548 S *	11/2006	Hagino	D12/92
D531,935 S *	11/2006	Matsumoto	D12/92
D540,216 S *	4/2007	Pfeiffer	D12/92
D548,139 S *	8/2007	Lee	D12/92
D573,511 S *	7/2008	Sato	D12/92
D584,191 S *	1/2009	Hall	D12/92
D584,192 S *	1/2009	Hasegawa	D12/92
D592,555 S *	5/2009	Kanno	D12/92
D596,079 S *	7/2009	Pfeiffer	D12/92

D599,706 S *	9/2009	Tanaka	D12/92
D619,932 S *	7/2010	Yi	D12/92
D628,939 S *	12/2010	Komuro	D12/92
D628,942 S *	12/2010	Kim	D12/92
D630,555 S *	1/2011	Koshino	D12/92
D630,556 S *	1/2011	Sakae	D12/92
D636,296 S *	4/2011	Lian	D12/92
D637,521 S *	5/2011	Kim	D12/92
D637,944 S *	5/2011	Lee	D12/92
D640,603 S *	6/2011	Ham	D12/92
D641,666 S *	7/2011	Yi	D12/92
D647,823 S *	11/2011	Okumoto	D12/92
D649,493 S *	11/2011	Kim	D12/92

(Continued)

OTHER PUBLICATIONS

“2016 Honda Civic.” Honda Electronic Brochure., Nov. 5, 2015 [online], [retrieved on Mar. 12, 2016]. Retrieved from the Internet <URL: <http://automobiles.honda.com/images/2016/civic-sedan/downloads/2016-civic-sedan-brochure.pdf>>.*

(Continued)

Primary Examiner — Philip S Hyder

Assistant Examiner — Darlington Ly

(74) *Attorney, Agent, or Firm* — Plumsea Law Group, LLC

(57) **CLAIM**

The ornamental design for an automobile, toy replica and/or other replicas, as shown and described.

DESCRIPTION

FIG. 1 is a front perspective view of an automobile.

FIG. 2 is a rear perspective view thereof.

FIG. 3 is a right side elevation view thereof.

FIG. 4 is a left side elevation view thereof.

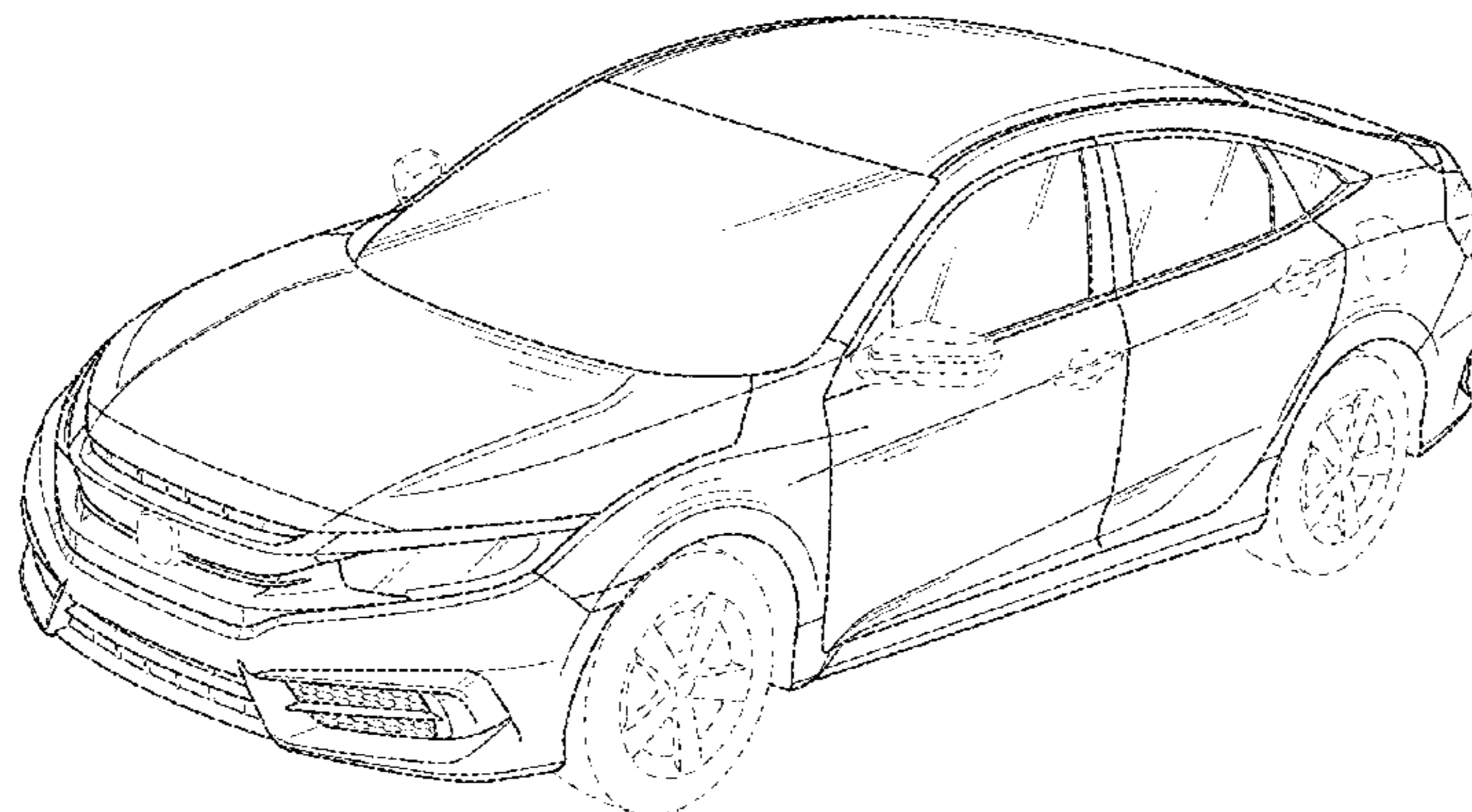
FIG. 5 is a front elevation view thereof.

FIG. 6 is a rear elevation view thereof; and,

FIG. 7 is a top plan view thereof.

The broken lines shown in the drawings illustrate portions of the automobile that form no part of claimed design.

1 Claim, 7 Drawing Sheets



(56)

References Cited

OTHER PUBLICATIONS

U.S. PATENT DOCUMENTS

D683,660	S	*	6/2013	Sugiura	D12/82
D686,534	S	*	7/2013	Weil	D12/92
D688,162	S	*	8/2013	Fetherston	D12/92
D696,980	S	*	1/2014	Miyazawa	D12/92
D699,630	S	*	2/2014	Abe	D12/92
D699,631	S	*	2/2014	Lian	D12/92
D700,870	S	*	3/2014	Jevremovic	D12/92
D704,598	S	*	5/2014	Mueller	D12/92
D715,193	S	*	10/2014	Tada	D12/92
D742,282	S	*	11/2015	Asai	D12/92

Design U.S. Appl. No. 29/520,902, filed Mar. 18, 2015, U.S. counterpart of Priority Japanese Application No. 2014-021097.

Examination Report of Design Application No. 17675-D, issued Nov. 16, 2015, by Government of Pakistan, Intellectual Property Organization.

Design U.S. Appl. No. 29/520,902, filed Mar. 24, 2015, U.S. counterpart of Priority Japanese Application No. 2014-021097.

* cited by examiner

FIG. 1

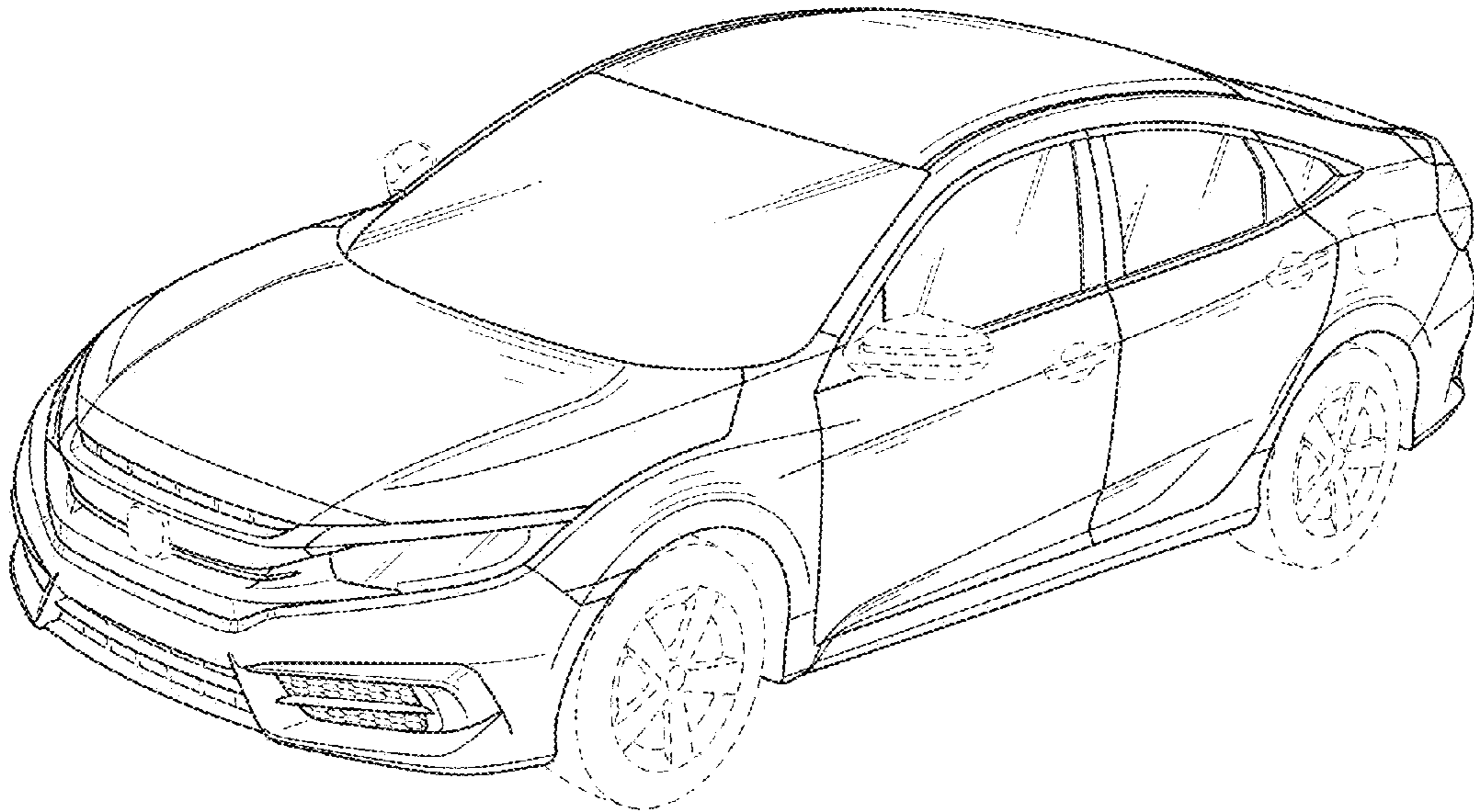


FIG. 2

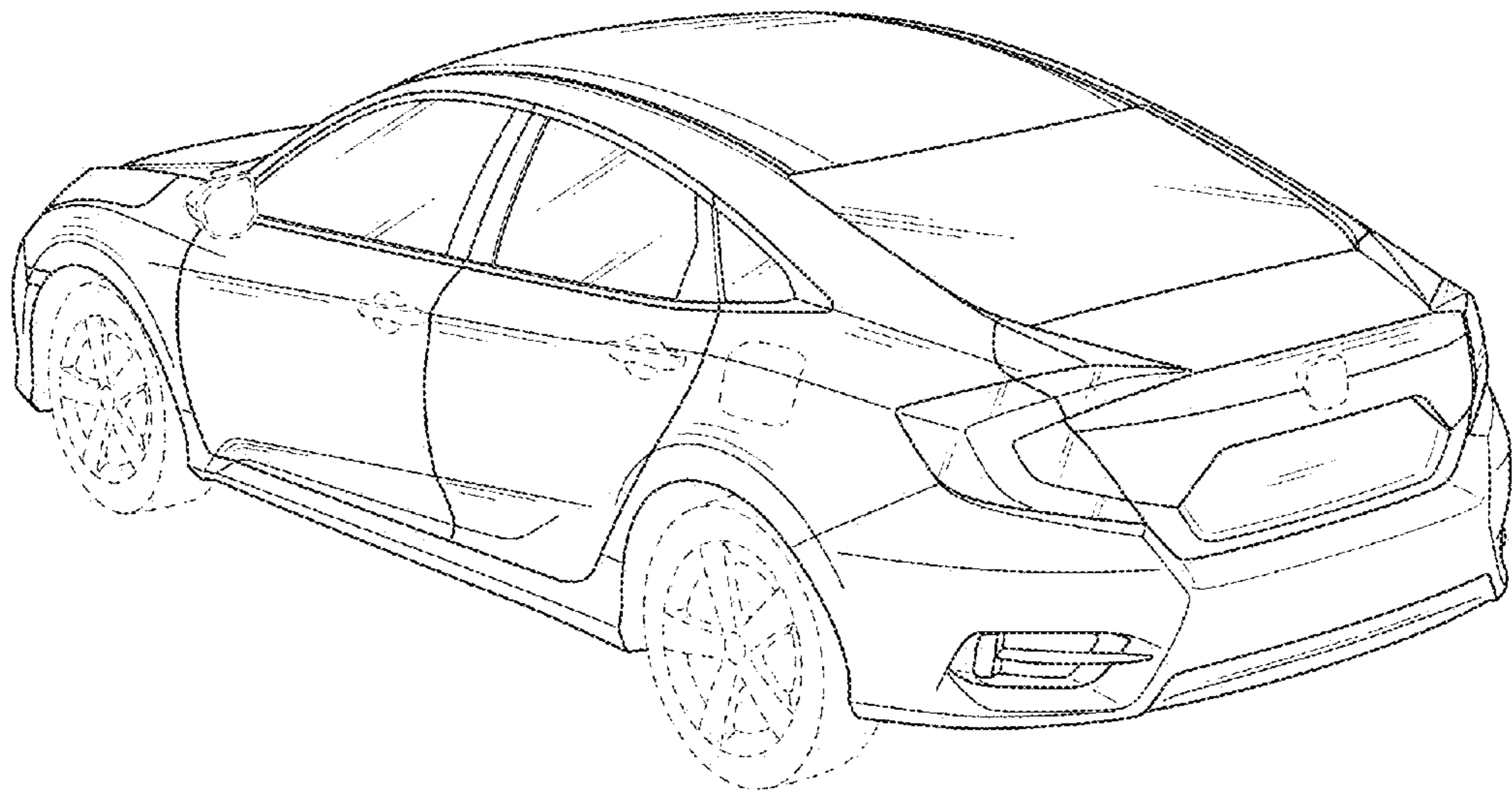


FIG. 3

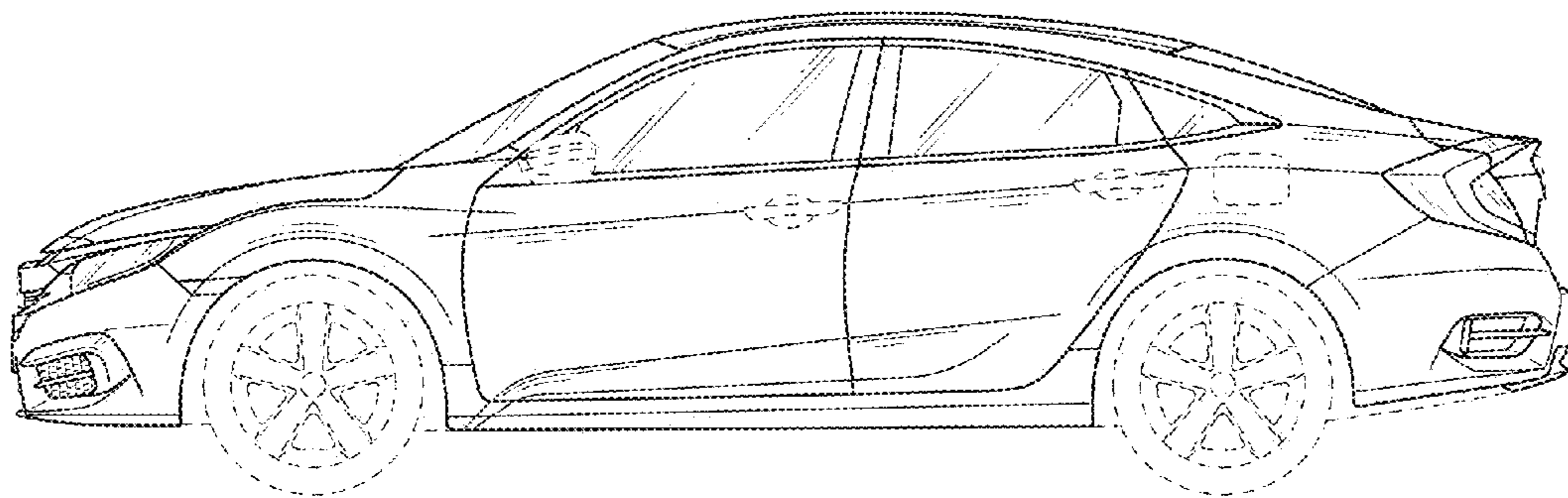


FIG. 4

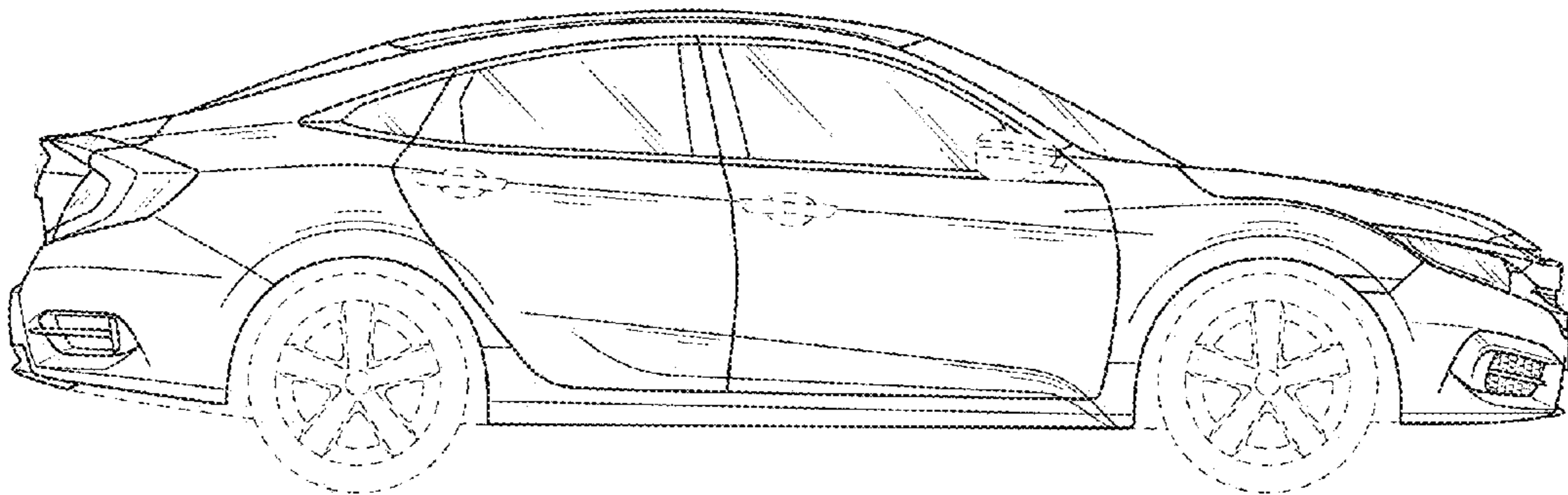


FIG. 5

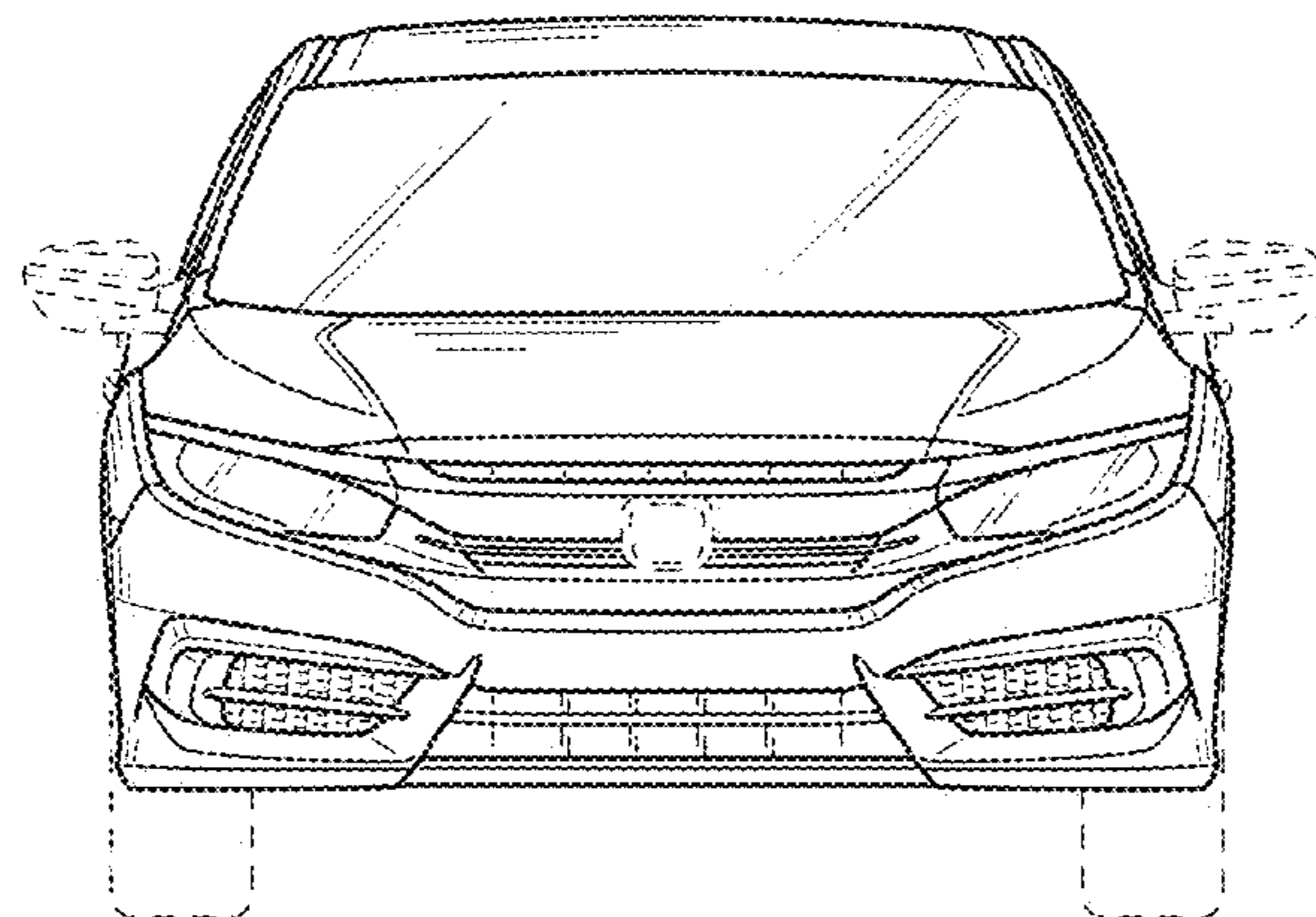


FIG. 6

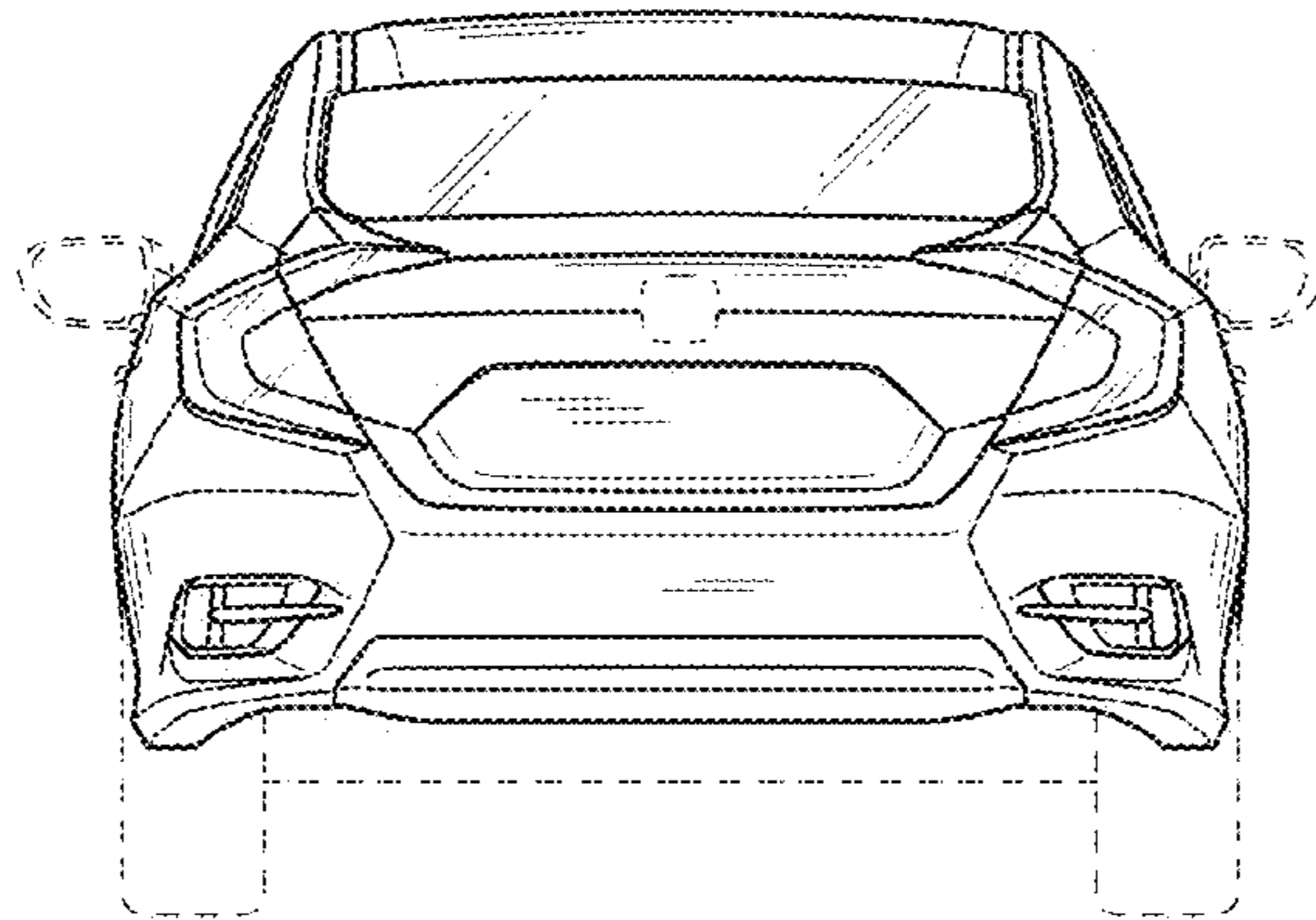


FIG. 7

