



US00D763134S

(12) **United States Design Patent**
Wang

(10) **Patent No.:** **US D763,134 S**
(45) **Date of Patent:** **** Aug. 9, 2016**

- (54) **FLYING VEHICLE OR DRONE TOY**
- (71) Applicant: **Shenzhen FUAV Technology Co., Ltd.**,
Shenzhen, Guangdong Province (CN)
- (72) Inventor: **Caihui Wang**, Shenzhen (CN)
- (73) Assignee: **Shenzhen FUAV Technology Co., Ltd.**,
Shenzhen, Guangdong Province (CN)
- (**) Term: **14 Years**
- (21) Appl. No.: **29/521,371**
- (22) Filed: **Mar. 23, 2015**
- (51) **LOC (10) Cl.** **12-07**
- (52) **U.S. Cl.**
USPC **D12/16.1; D21/441**
- (58) **Field of Classification Search**
USPC D12/16.1, 319, 325, 326, 327, 328, 329,
D12/330, 333, 344, 345; D21/301, 437,
D21/441, 443, 446, 447, 448, 453, 454, 461
CPC B64C 2201/146; B64C 2201/141;
B64C 2201/126; B64C 2201/021; B64C 29/00
See application file for complete search history.

- 2014/0117149 A1* 5/2014 Zhou A63H 27/12
244/17.23
- 2014/0131510 A1* 5/2014 Wang B64C 39/024
244/17.23
- 2015/0232181 A1* 8/2015 Oakley B64C 39/024
701/2

OTHER PUBLICATIONS

China Smargle drone by Shezhen. dated 2016. found online [Jan. 4, 2016]
<http://fuav.manufacturer.globalsources.com/si/6008811554677/pdtl/Aerial-drone/1125813676/Smargle-drone.htm>.*

* cited by examiner

Primary Examiner — Robert M Spear
Assistant Examiner — Marissa J Cash
(74) *Attorney, Agent, or Firm* — Novoclaims Patent Services LLC; Mei Lin Wong

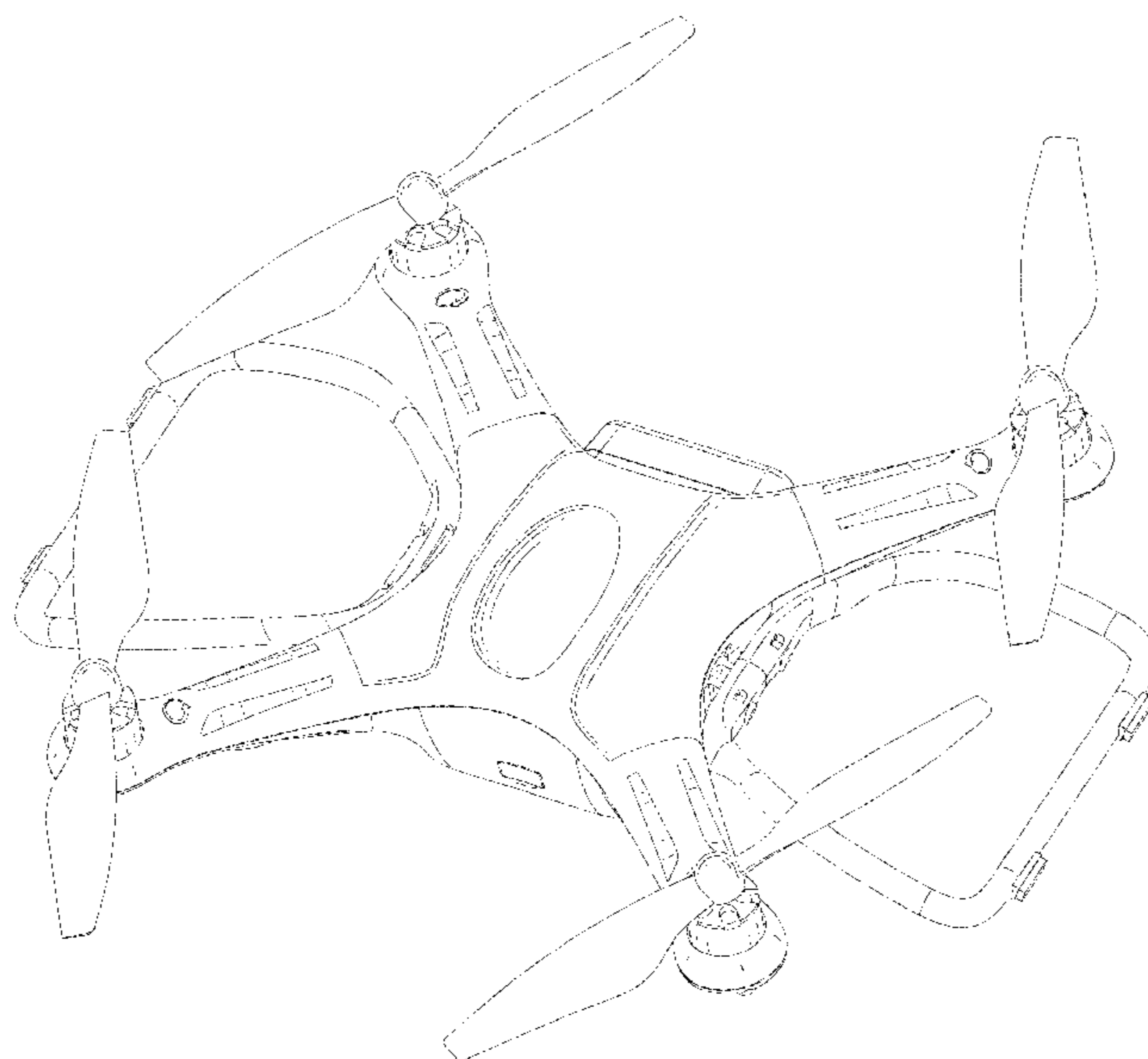
(57) **CLAIM**
The ornamental design of a flying vehicle or drone toy, substantially as shown and described.

DESCRIPTION

FIG. 1 is a perspective view of a flying vehicle or drone toy in accordance with the present invention.
FIG. 2 is a front view thereof.
FIG. 3 is a rear view thereof.
FIG. 4 is a left end view thereof.
FIG. 5 is a right end view thereof.
FIG. 6 is a top view thereof.
FIG. 7 is a bottom view thereof; and,
FIG. 8 is a perspective view thereof shown in an alternate configuration of use.
The broken lines shown in the drawings represent unclaimed subject matter and form no part of the claimed design.

1 Claim, 8 Drawing Sheets

- (56) **References Cited**
U.S. PATENT DOCUMENTS
- D197,038 S * 12/1963 Howard D12/329
- D465,196 S * 11/2002 Dammar D12/328
- D628,658 S * 12/2010 Wurm D21/442
- D691,514 S * 10/2013 Wang D12/16.1
- 8,967,029 B1 * 3/2015 Calvert F41H 13/00
239/171
- 9,061,763 B1 * 6/2015 Christensen A63H 17/28
- D741,779 S * 10/2015 Hsiao D12/16.1
- D745,435 S * 12/2015 Park D12/16.1
- 9,221,539 B2 * 12/2015 Christensen B64C 39/024
- 2012/0056041 A1 * 3/2012 Rhee B64C 25/32
244/4 R



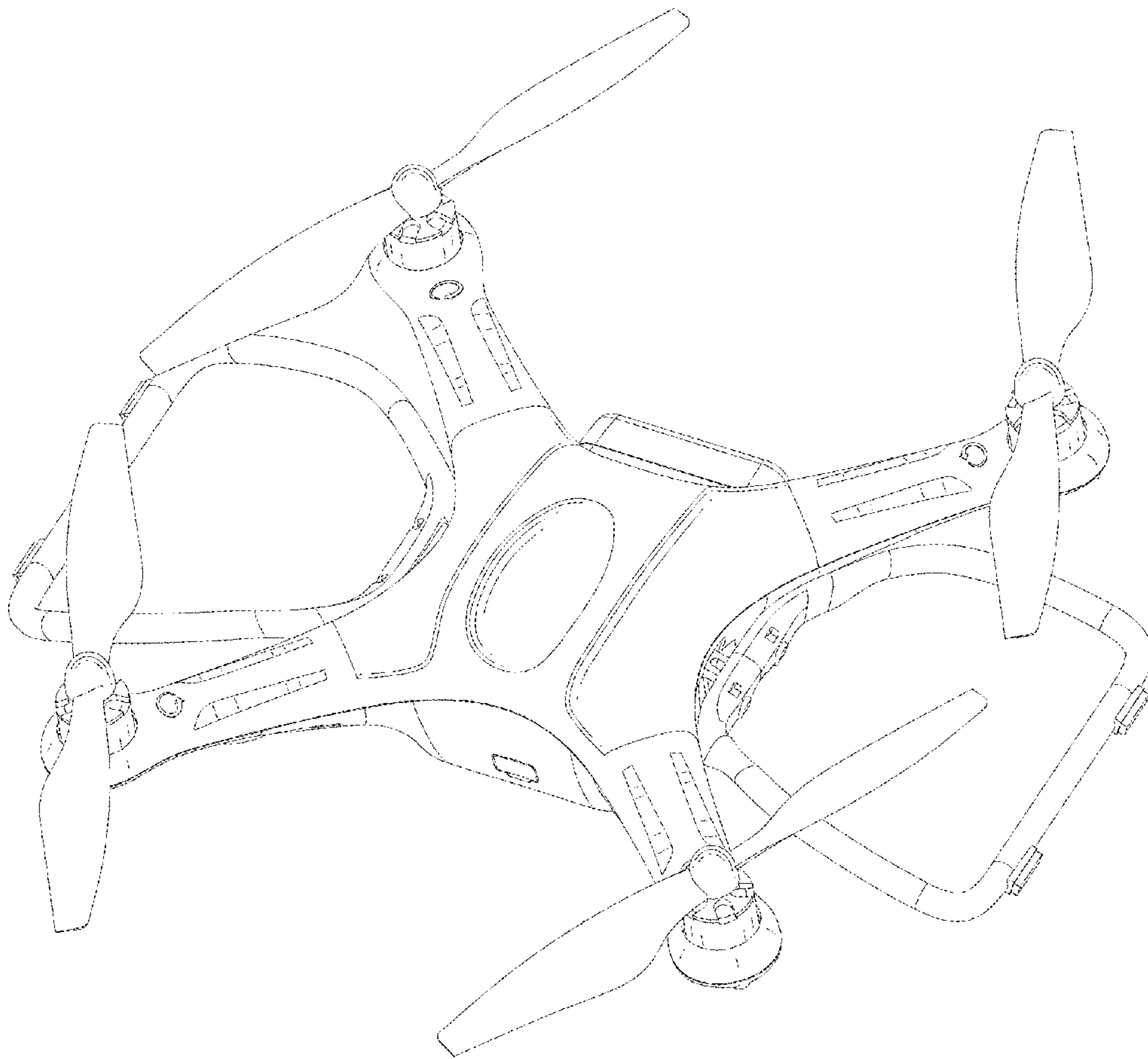


FIG.1

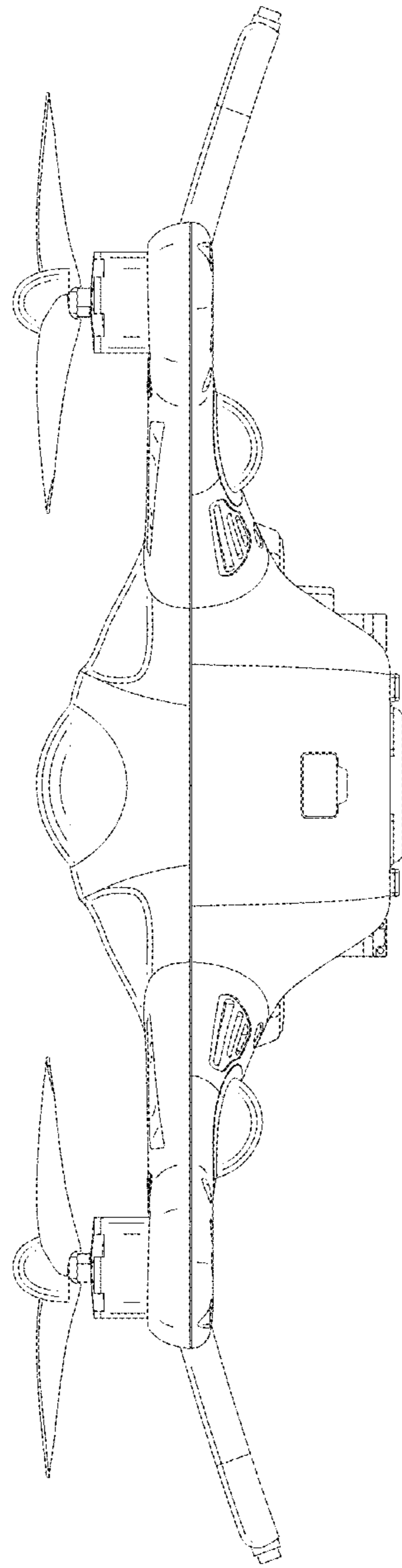


FIG.2

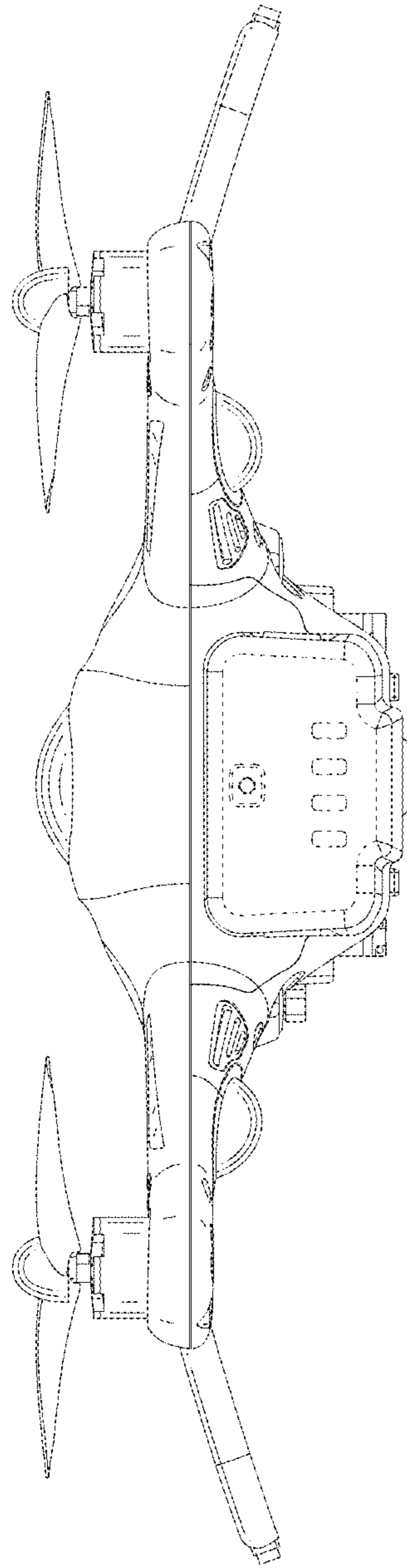


FIG.3

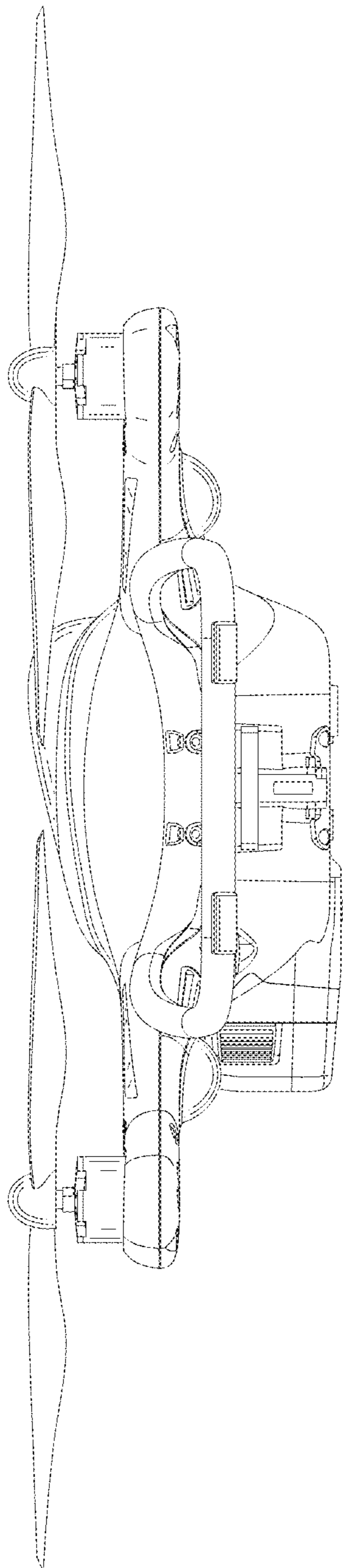


FIG.4

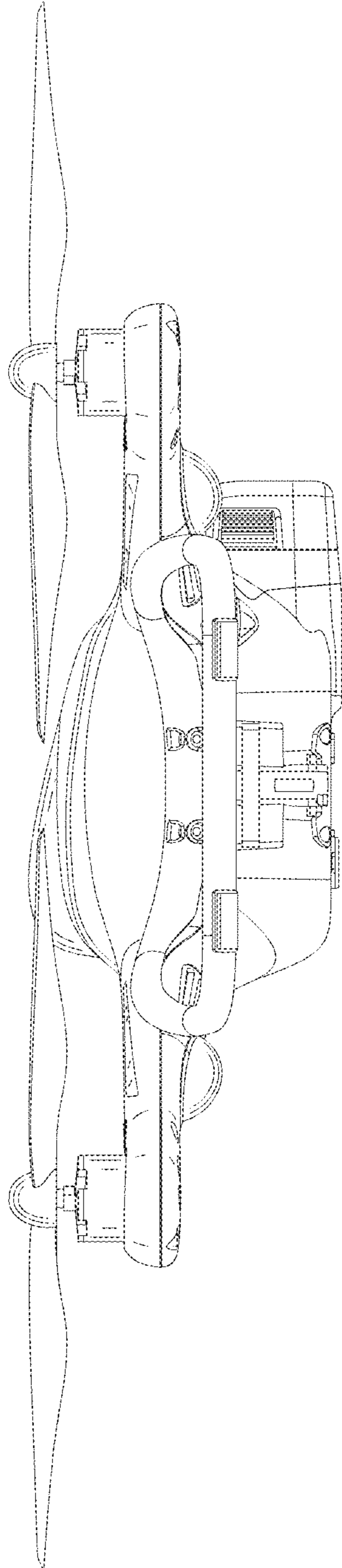


FIG.5

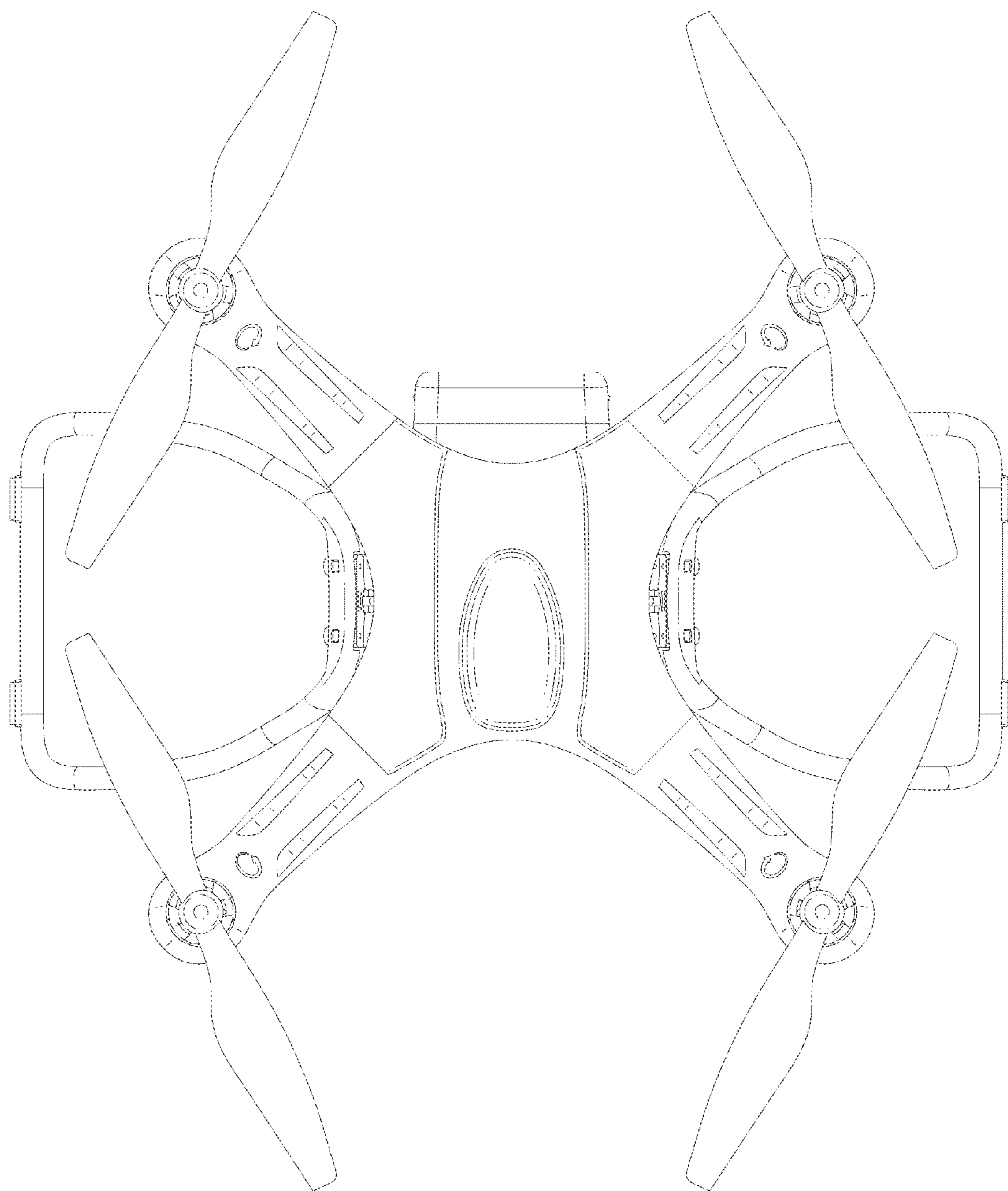


FIG.6

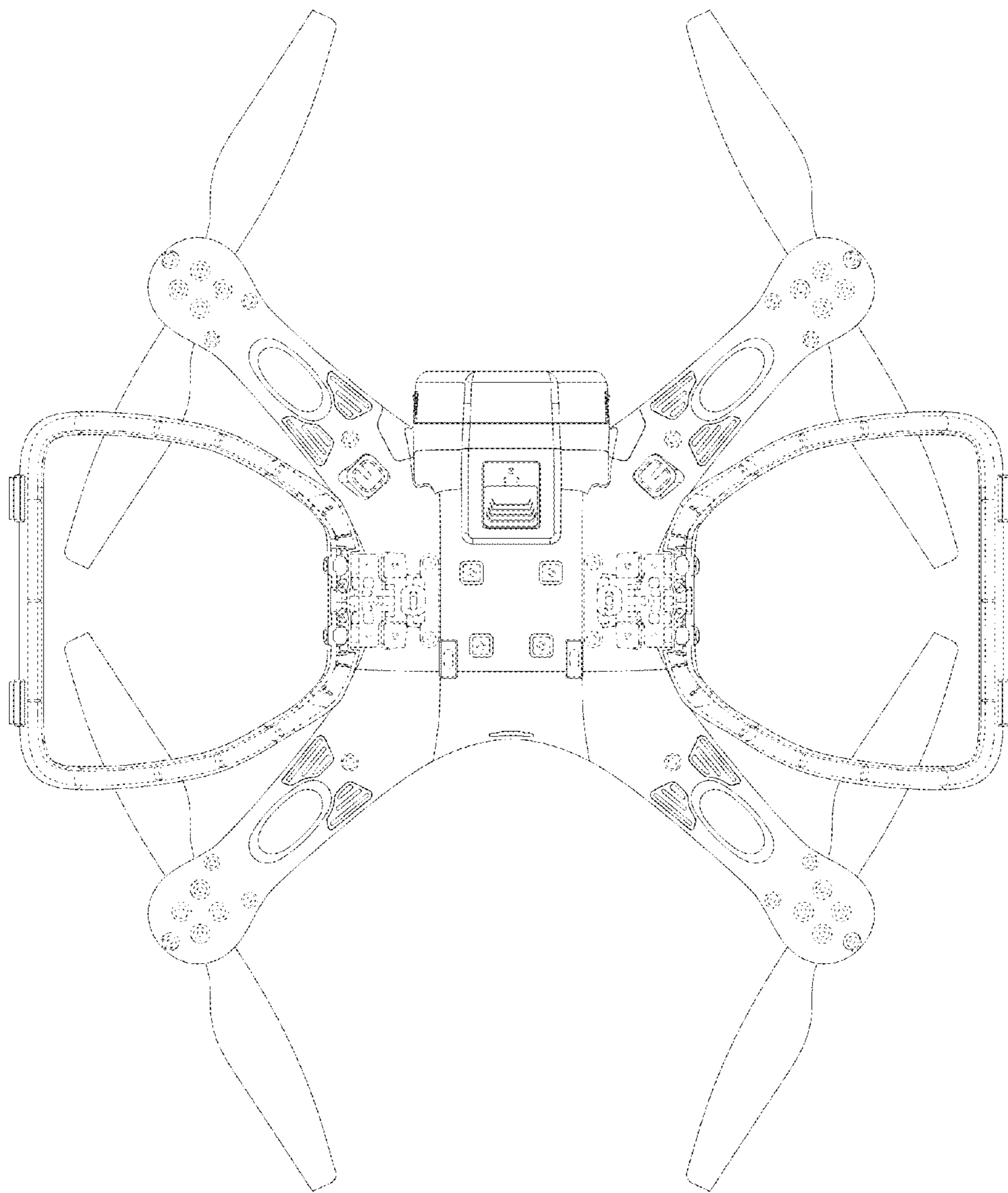


FIG.7

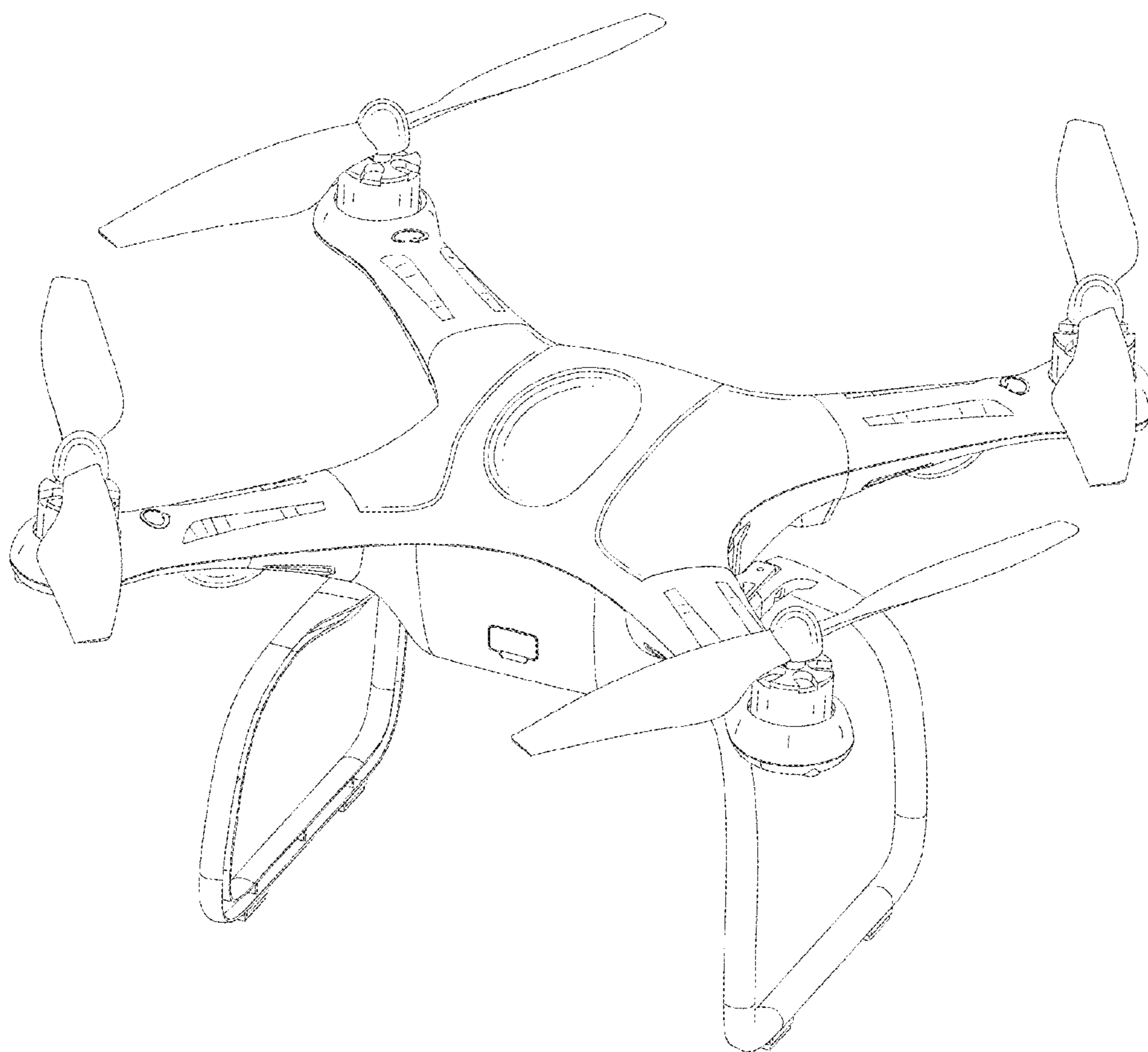


FIG.8