



US00D763133S

(12) **United States Design Patent**
Ketcher

(10) **Patent No.:** **US D763,133 S**
(45) **Date of Patent:** **** Aug. 9, 2016**

- (54) **DRONE SYSTEM COMPONENT INCLUDING RINGS**
- (71) Applicant: **Xray Airframe Design & Development, LLC, Milwaukie, OR (US)**
- (72) Inventor: **Eric Ketcher, Milwaukie, OR (US)**
- (73) Assignee: **Xray Airframe Design & Development, LLC, Milwaukie, OR (US)**
- (**) Term: **14 Years**
- (21) Appl. No.: **29/485,241**
- (22) Filed: **Mar. 17, 2014**
- (51) **LOC (10) Cl.** **12-07**
- (52) **U.S. Cl.**
USPC **D12/16.1**
- (58) **Field of Classification Search**
USPC D12/16.1, 326, 319, 328, 330, 442;
D21/441; 244/53 R, 54, 17.23
CPC B64C 2201/108; B64C 2201/146;
B64C 35/00; B64C 39/08
See application file for complete search history.

(56) **References Cited**

U.S. PATENT DOCUMENTS

D189,462 S *	12/1960	Vogt	D12/329
5,297,759 A	3/1994	Tilbor et al.		
D465,196 S	11/2002	Dammar		
7,497,759 B1	3/2009	Davis		
7,520,466 B2	4/2009	Bostan		
7,794,302 B2	9/2010	Davis		
D648,809 S *	11/2011	Seydoux	D21/441
D659,771 S *	5/2012	Seydoux	D21/441
8,214,088 B2	7/2012	Lefebure		
8,473,125 B2	6/2013	Rischmuller et al.		
8,474,761 B2	7/2013	Callou		
8,498,447 B2	7/2013	Derbanne		
8,594,862 B2	11/2013	Callou et al.		
D708,272 S *	7/2014	Schmelter	D12/16.1
D741,751 S *	10/2015	Klaptocz	D12/16.1
D747,775 S *	1/2016	Colin	D12/16.1
D751,025 S *	3/2016	Howell	D12/16.1
2011/0049290 A1	3/2011	Seydoux et al.		
2011/0299732 A1 *	12/2011	Jonchery	A63H 27/12 382/103
2012/0241555 A1 *	9/2012	Savoie	A63H 27/12 244/54
2014/0374532 A1 *	12/2014	Duffy	B64C 37/02 244/2

- 2015/0148988 A1 * 5/2015 Fleck G05D 1/0011
701/2
- 2015/0175258 A1 * 6/2015 Lee B64C 27/08
244/17.23
- 2016/0068266 A1 * 3/2016 Carroll B64C 39/024
244/53 R

* cited by examiner

OTHER PUBLICATIONS

le; 3qDJI, DJI Officially Released The Phantom Top Guard, <http://www.dji.com>, May 13, 2013, 2 pages.
 Hobbyking, Extra Large EPP Quadcopter Frame 450mm (835mm total width), <http://www.hobbyking.com>, at least as early as Feb. 10, 2014, 2 pages.
 Apple, Parrott AR.Drone 2.0 Power Edition Quadricopter, <http://store.apple.com>, at least as early as Feb. 10, 2014, 4 pages.

Primary Examiner — Cynthia Ramirez

Assistant Examiner — Gino Colan

(74) *Attorney, Agent, or Firm* — Law Office of Karen Dana Oster, LLC

(57) **CLAIM**

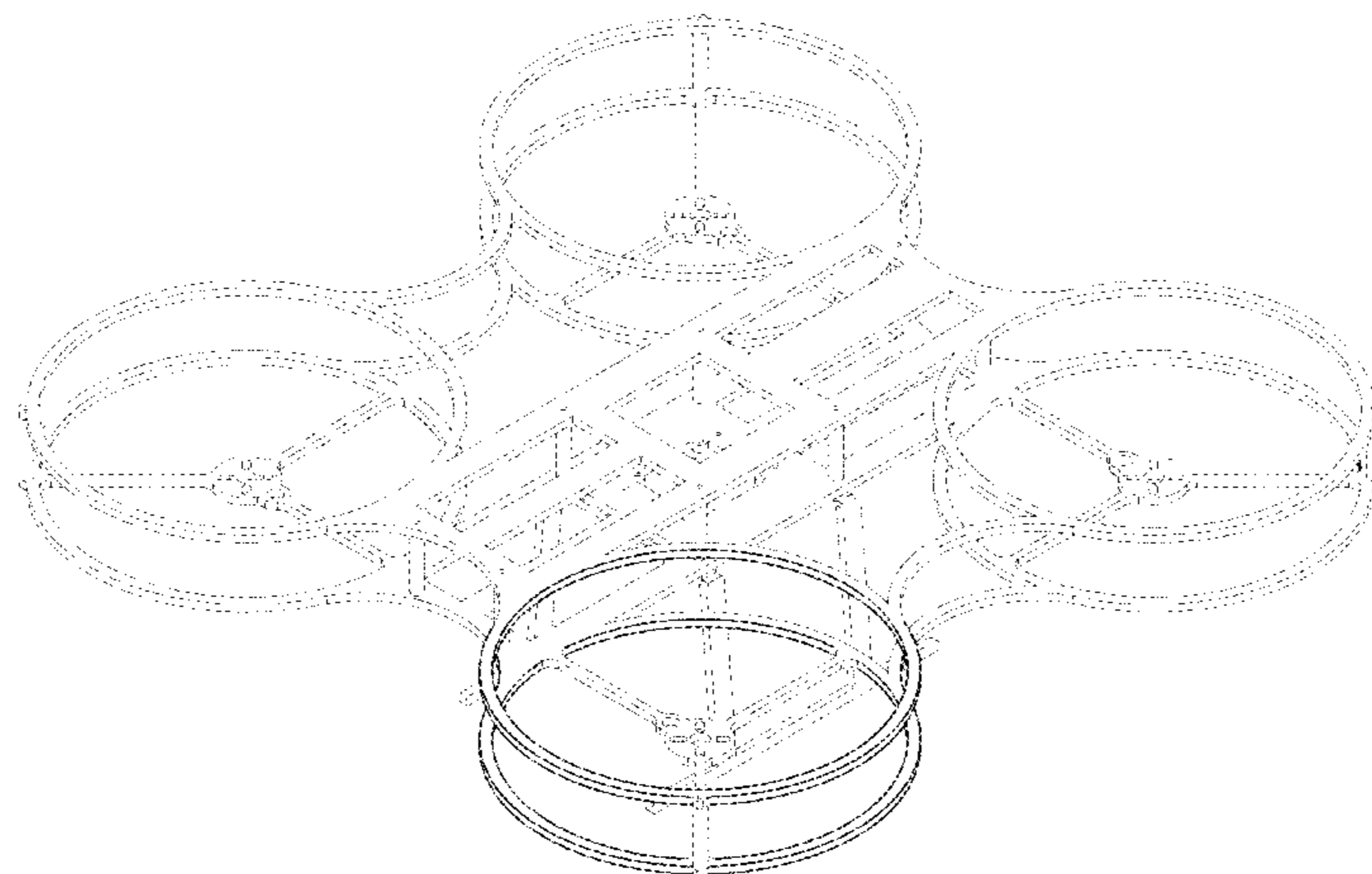
The ornamental design for a drone system component including rings, as shown and described.

DESCRIPTION

FIG. 1 is a top perspective view of a first embodiment of a drone system component including rings having a dual-layer configuration showing my new design;
 FIG. 2 is a bottom perspective thereof;
 FIG. 3 is a top plan view thereof;
 FIG. 4 is a bottom plan view thereof;
 FIG. 5 is a front elevational view thereof, the back elevational view not being visible and/or not being claimed herein;
 FIG. 6 is a side elevational view thereof, the second side elevational view not being visible and/or not being claimed herein;
 FIG. 7 is a top perspective view of a second embodiment of a drone system component including rings having a triple-layer configuration showing my new design;
 FIG. 8 is a bottom perspective view thereof;
 FIG. 9 is a top plan view thereof;
 FIG. 10 is a bottom plan view thereof;
 FIG. 11 is a front elevational view thereof, the back view not being visible and/or not being claimed herein; and,
 FIG. 12 is a side elevational view thereof, the second side elevational view not being visible and/or not being claimed herein.

The broken line showing in the figures are for the purpose of illustrating portions of the drone system component including rings and form no part of the claimed design.

1 Claim, 10 Drawing Sheets



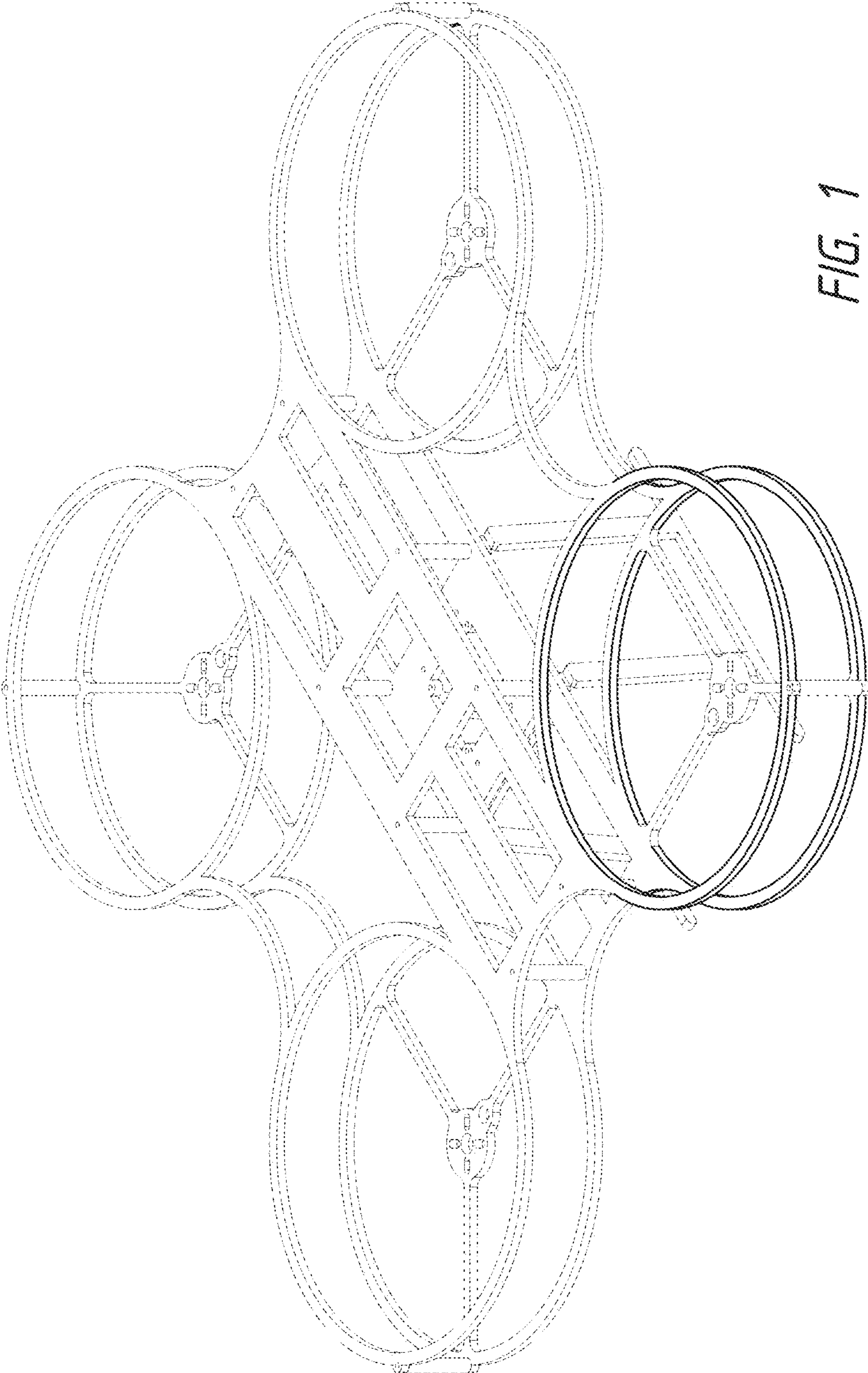


FIG. 1

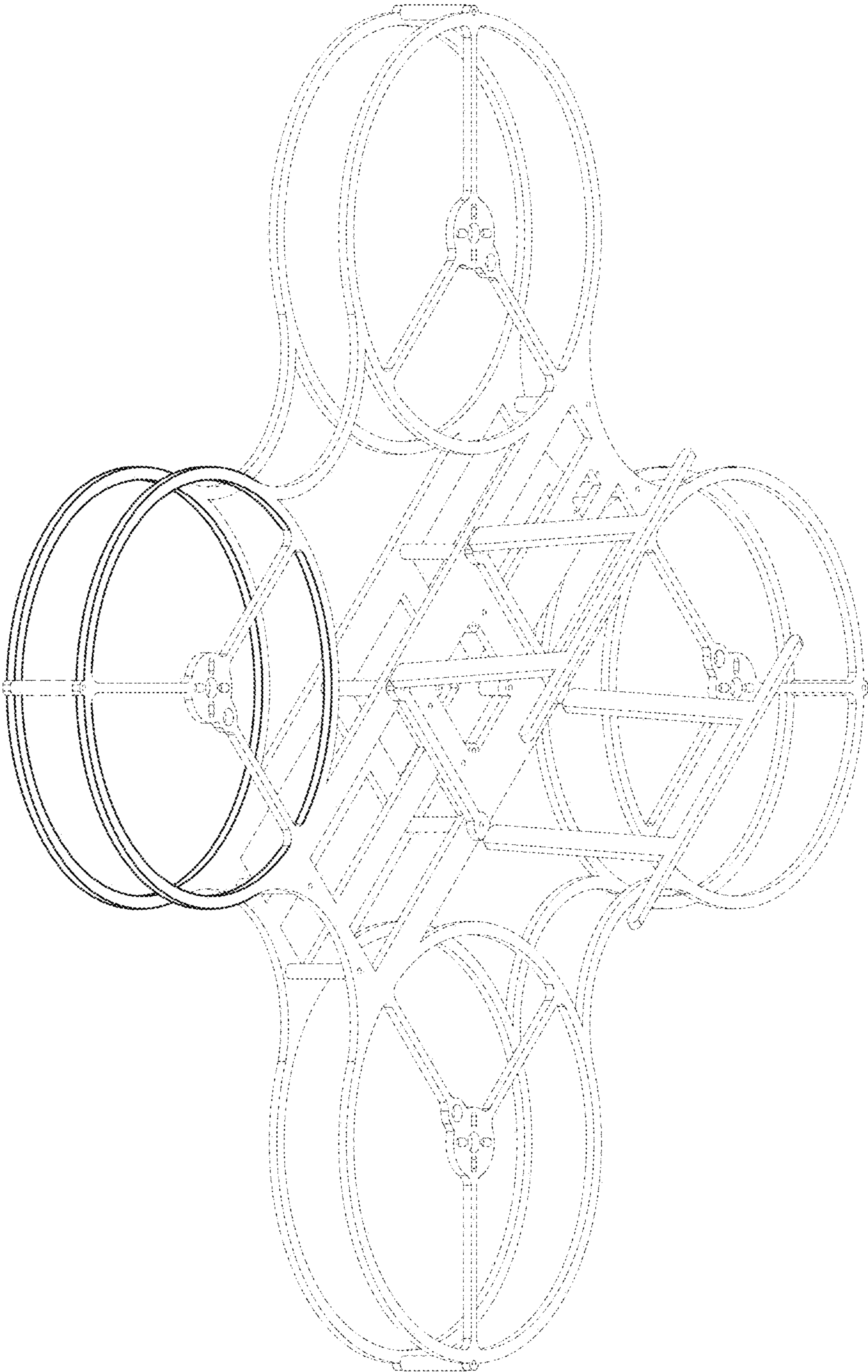


FIG. 2

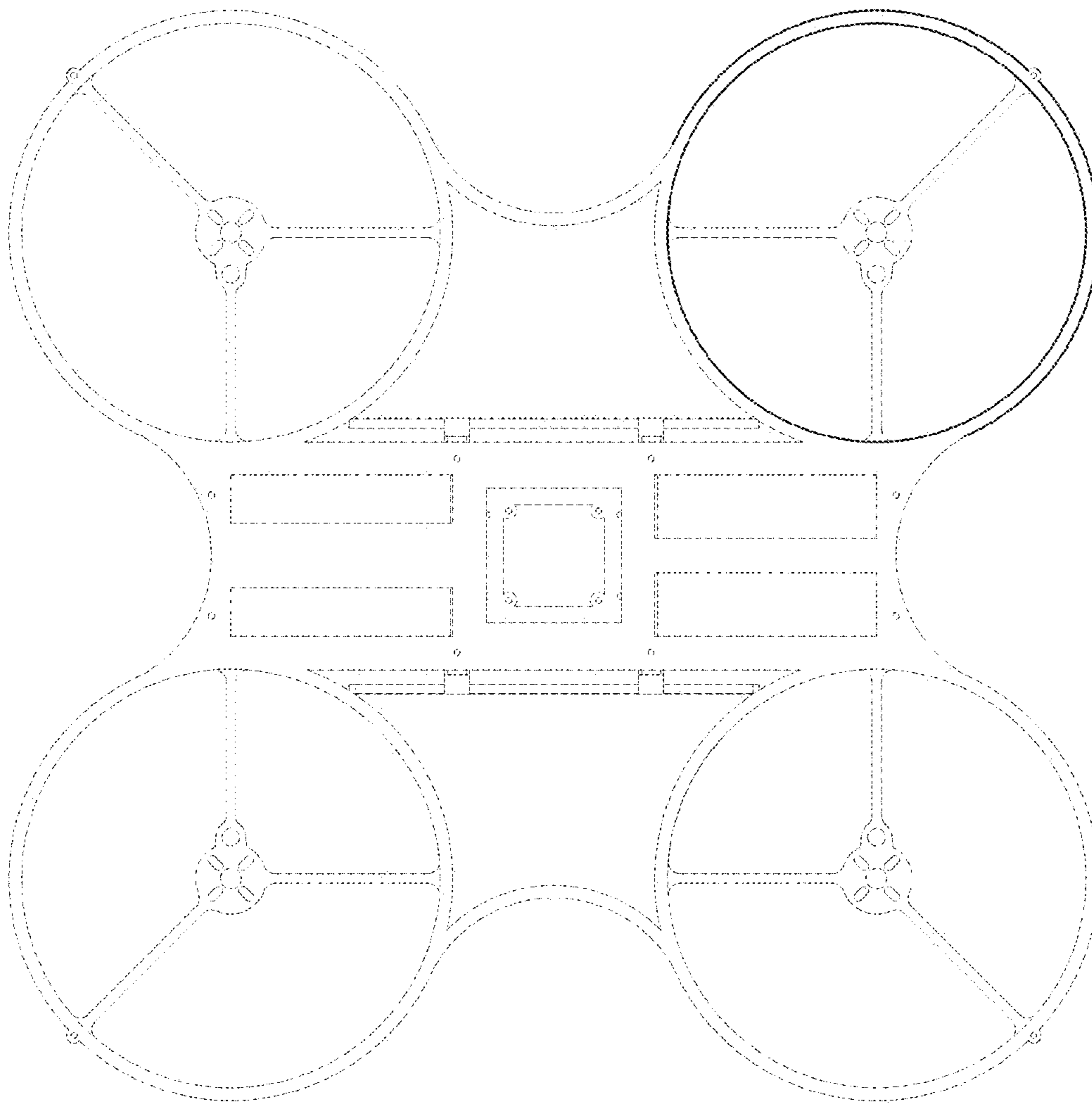


FIG. 3

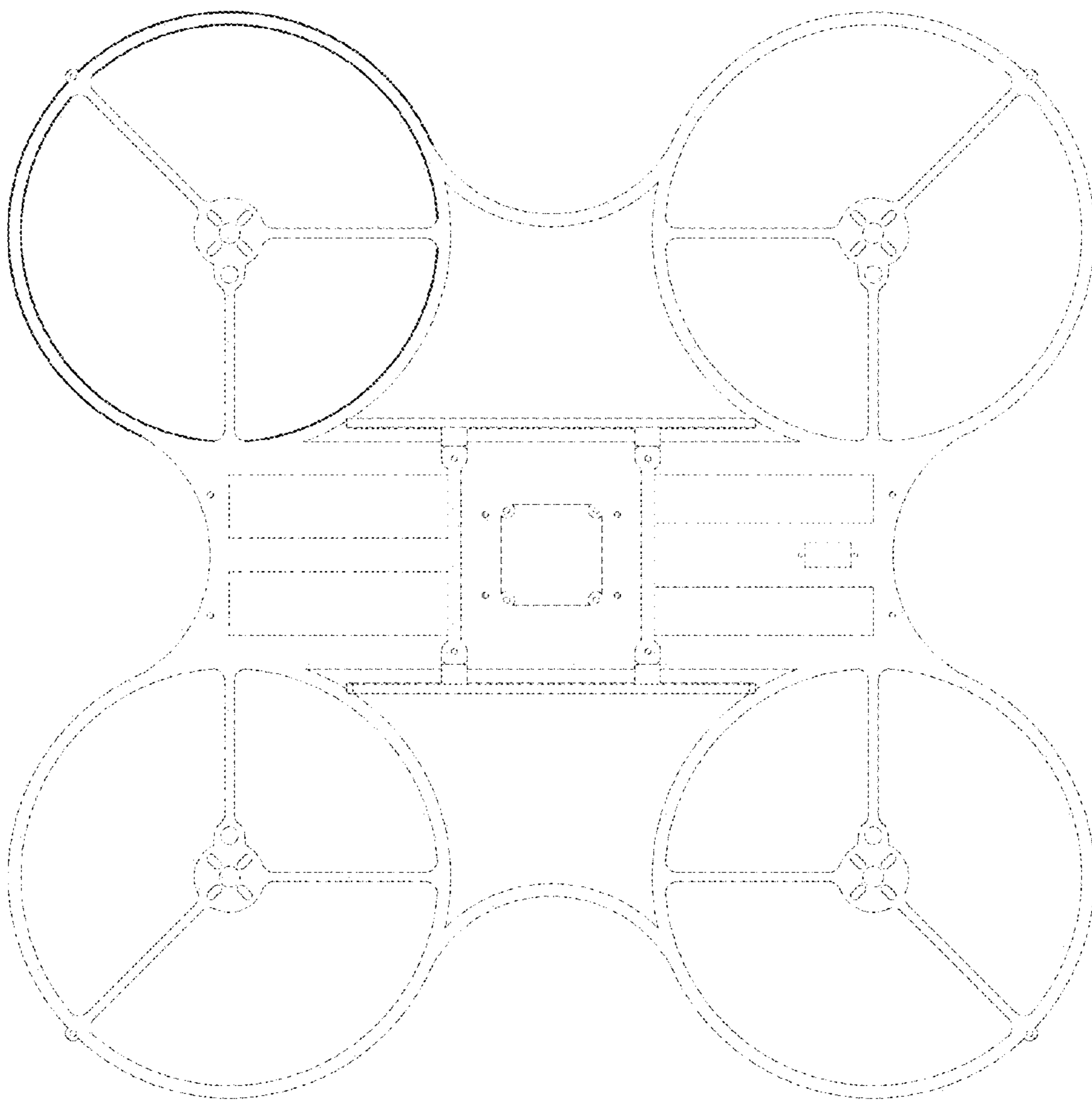


FIG. 4

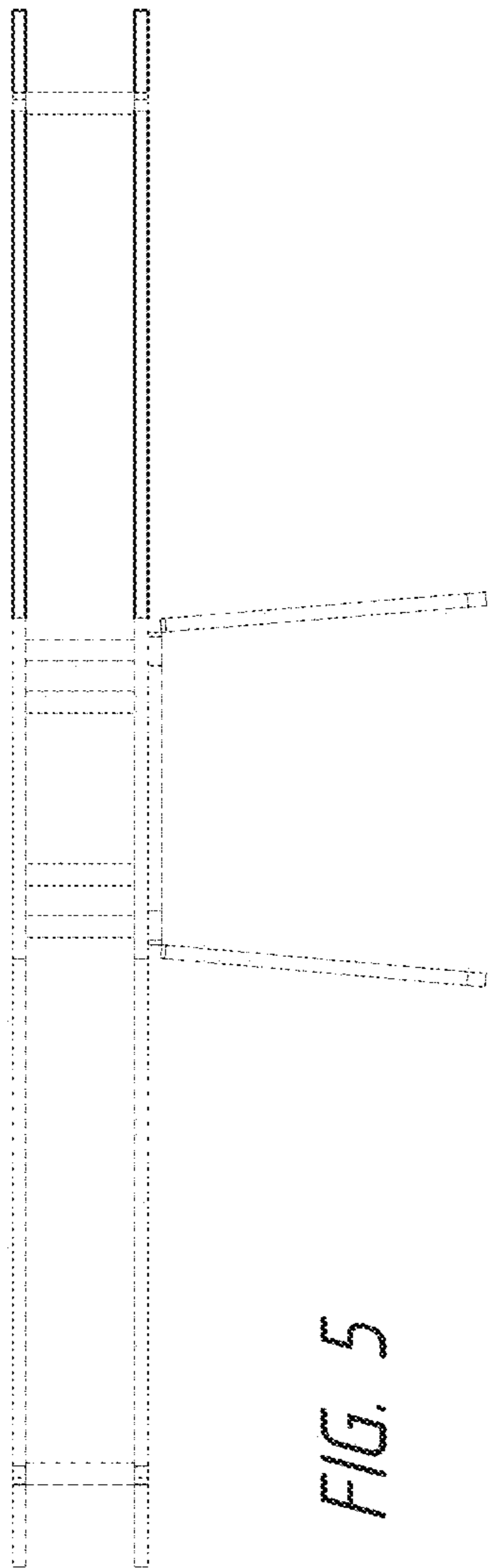


FIG. 5

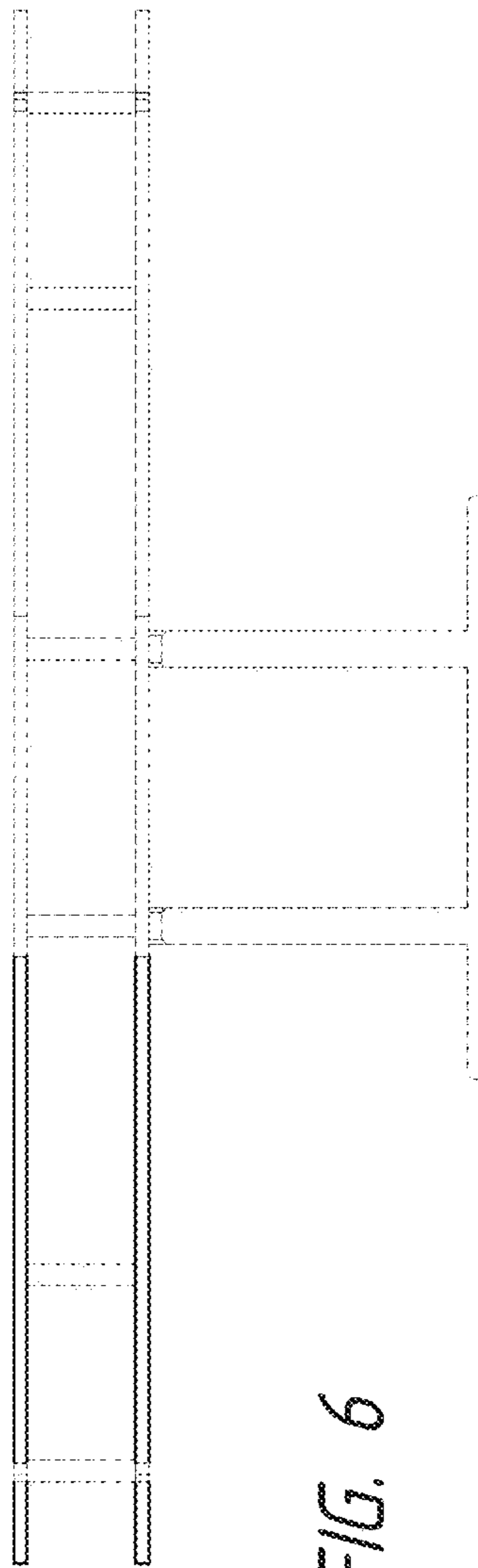
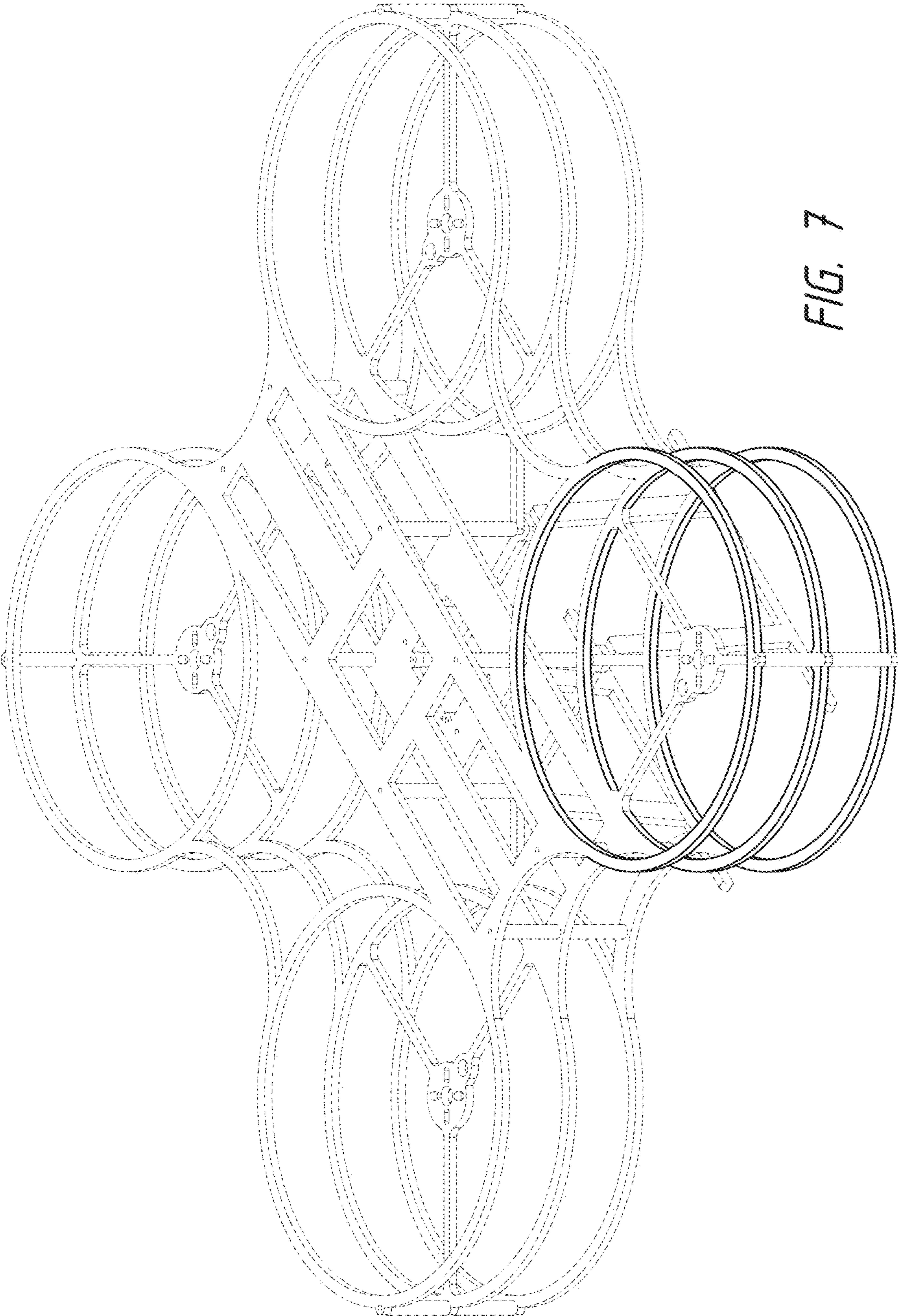


FIG. 6



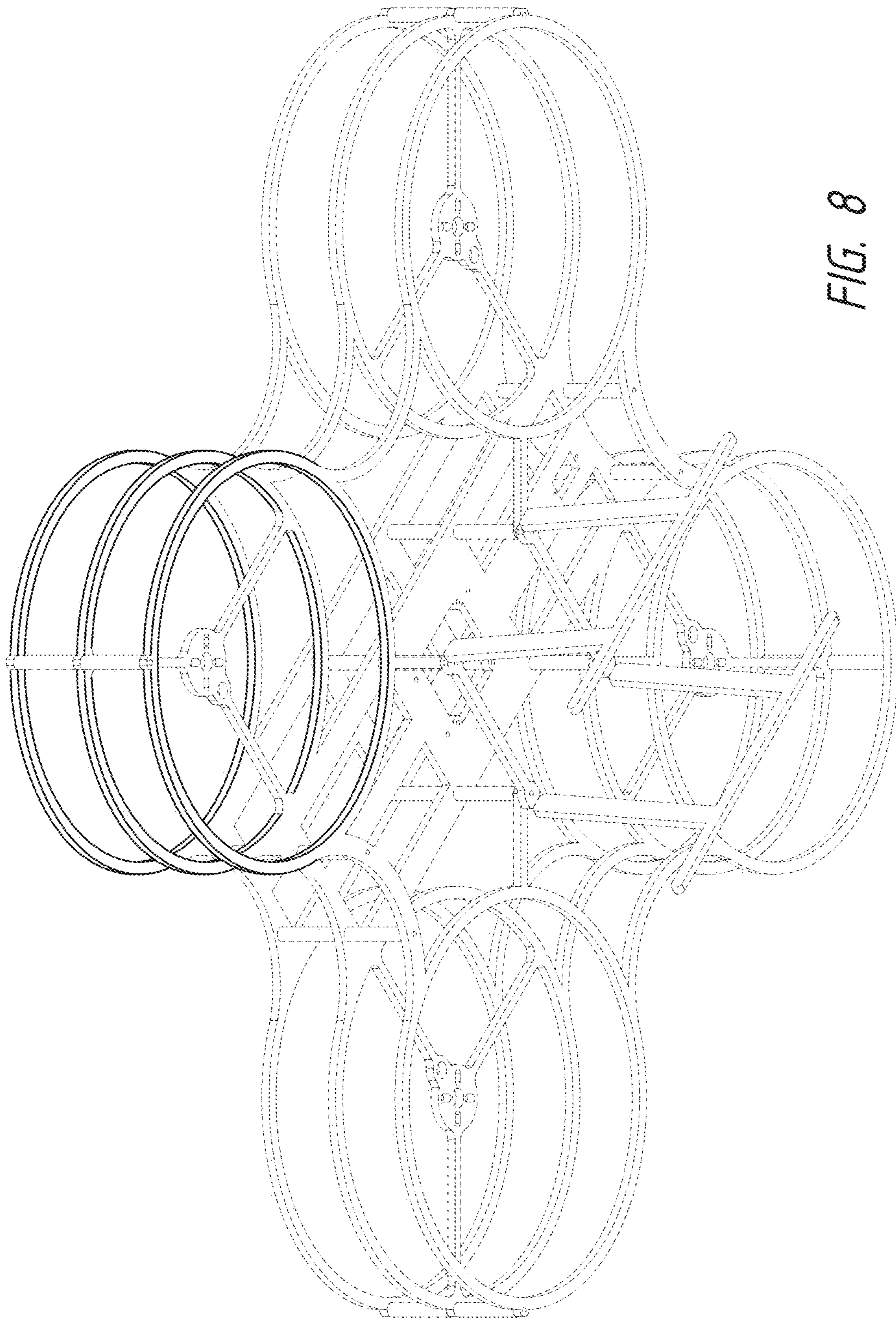


FIG. 8

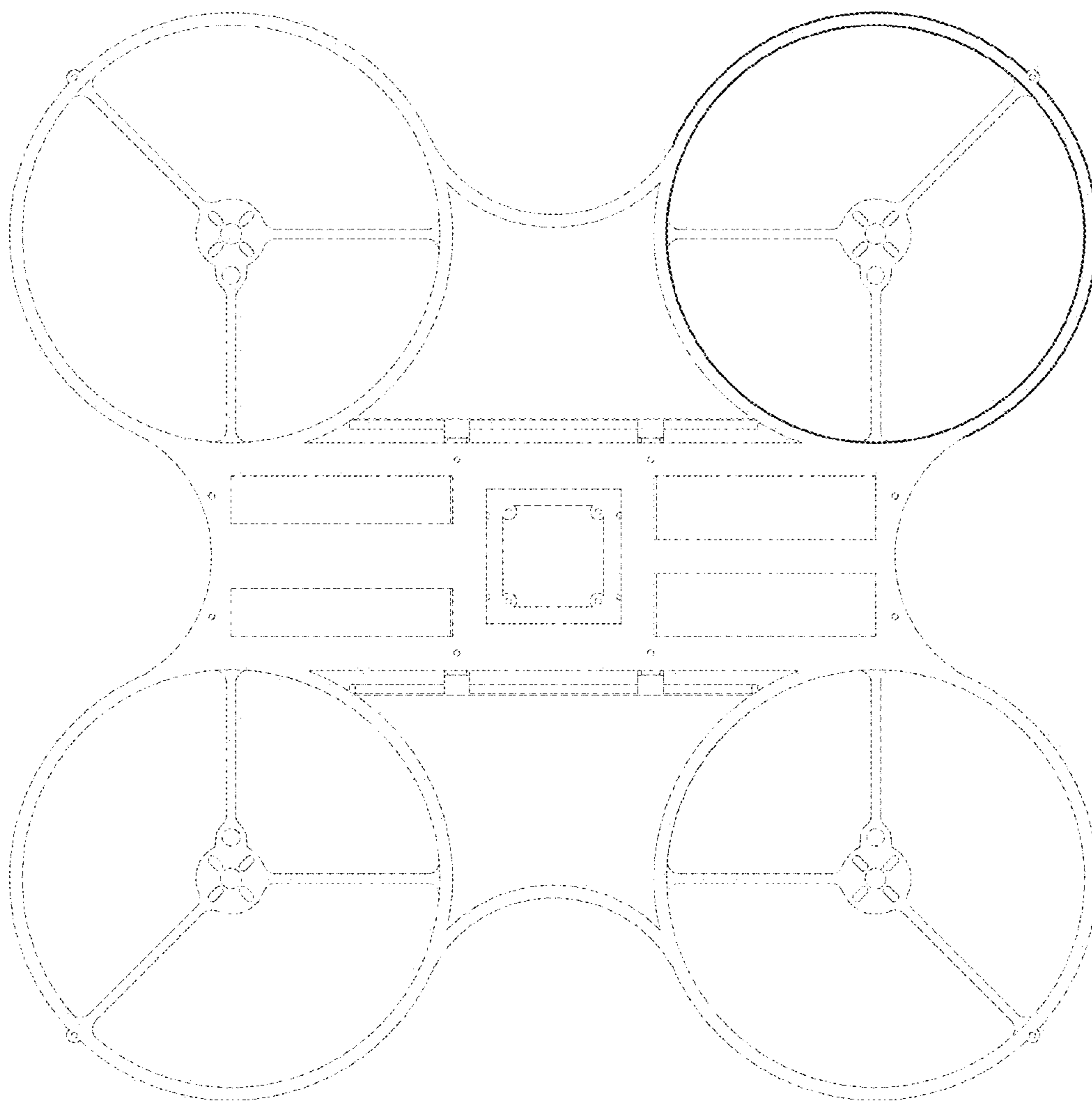


FIG. 9

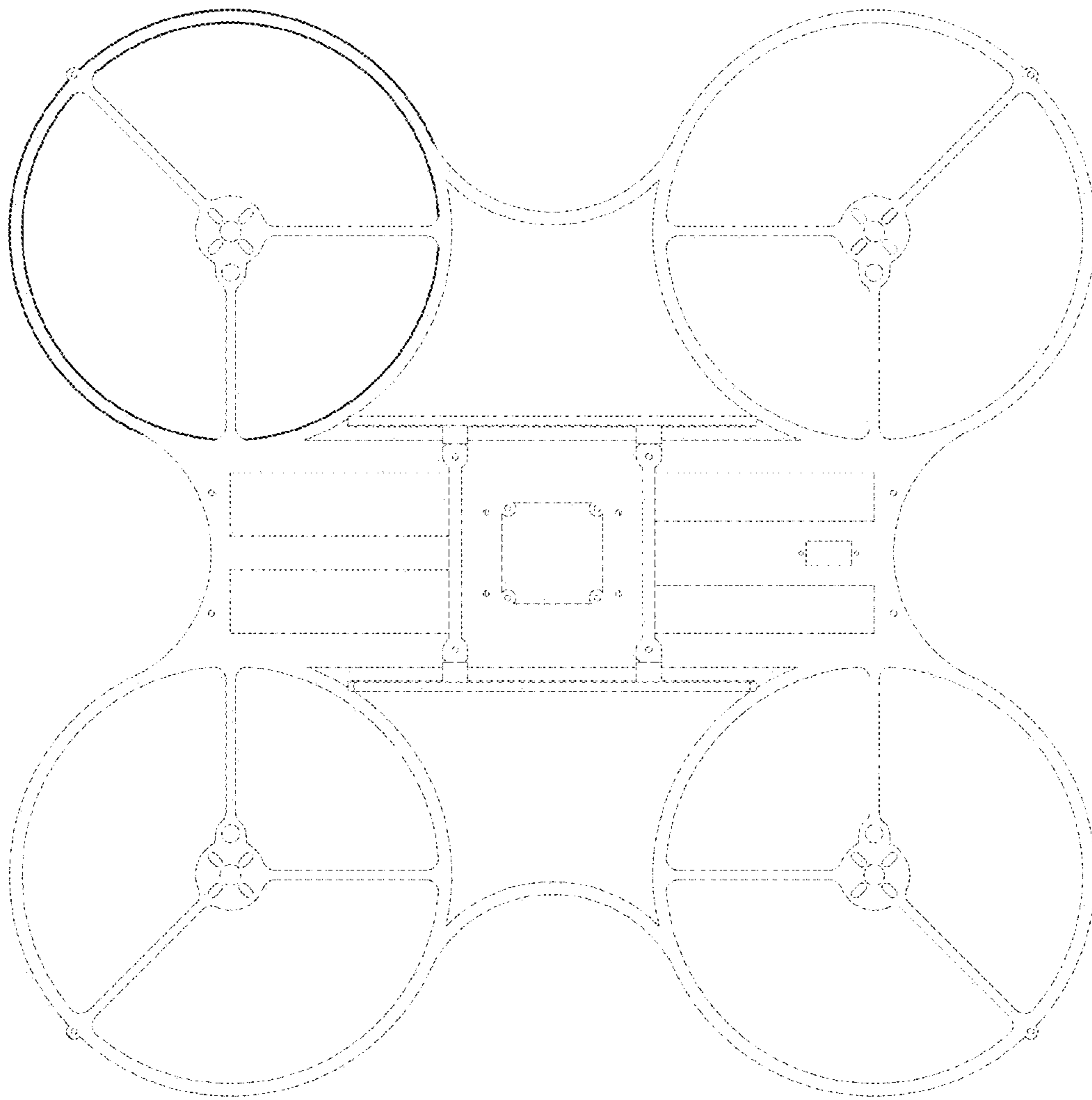


FIG. 10

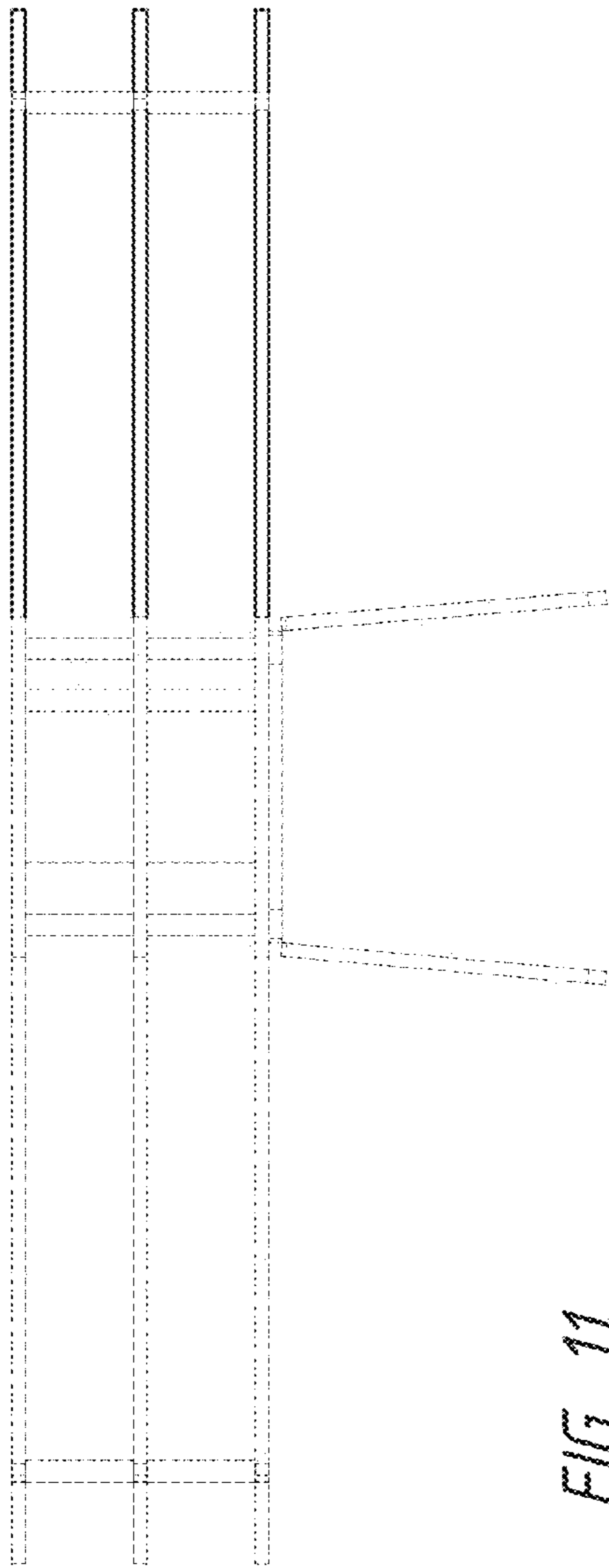


FIG. 11

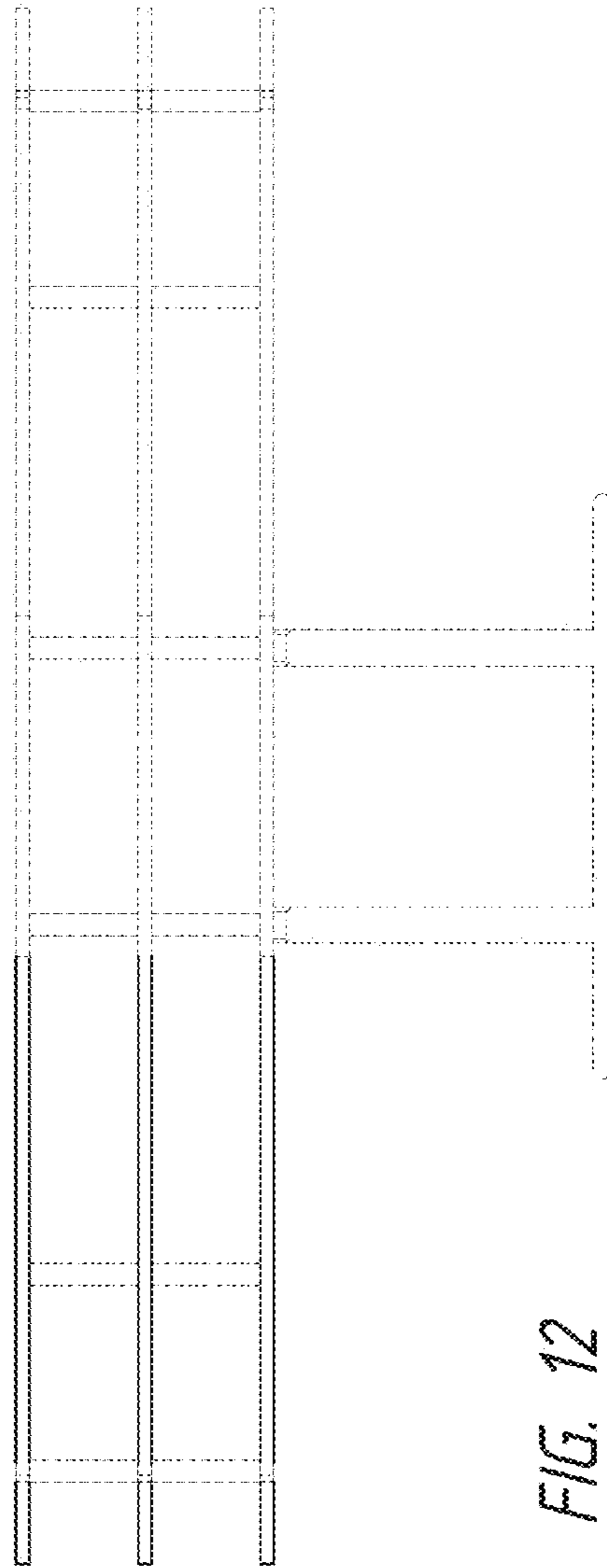


FIG. 12