

US00D763132S

(12) **United States Design Patent**
Karunaratne et al.

(10) **Patent No.:** **US D763,132 S**
(45) **Date of Patent:** **** Aug. 9, 2016**

(54) **HOOK AND EYE FASTENER**

FOREIGN PATENT DOCUMENTS

(71) Applicant: **Prym Intimates Group Ltd.**, Kowloon,
Hong Kong (CN)

JP 2002028009 1/2002

* cited by examiner

(72) Inventors: **Chaaminda Karunaratne**, Piliyandala
(LK); **Anjana Kavisekera**, Kandy (LK)

Primary Examiner — Ralf Seifert

(74) *Attorney, Agent, or Firm* — Oppedahl Patent Law Firm
LLC

(73) Assignee: **Prym Intimates Group Ltd.**, Kowloon,
Hong Kong (CN)

(**) Term: **14 Years**

(57) **CLAIM**

The ornamental design for a hook and eye fastener, as shown
and described.

(21) Appl. No.: **29/508,241**

(22) Filed: **Nov. 4, 2014**

(51) **LOC (10) Cl.** **02-07**

(52) **U.S. Cl.**
USPC **D11/208**

(58) **Field of Classification Search**
USPC D11/1-2, 200-220; 24/697, 163 R,
24/169-173, 177-179, 191, 194-195, 197,
24/200, 614-616, 625, 198, 630; D8/349,
D8/395; 2/321; 112/406
CPC A44B 11/26; A44B 11/25
See application file for complete search history.

DESCRIPTION

FIGS. 1, 8, 15 and 22 are perspective views of hook and eye fasteners differing from each other chiefly in the number of eyes in a row and in the number of rows.

FIGS. 2, 3, 4, 5, 6 and 7 are respective front, rear, top, bottom, right side, and left side views corresponding to that of FIG. 1. FIGS. 9, 10, 11, 12, 13 and 14 are respective front, rear, top, bottom, right side, and left side views corresponding to that of FIG. 8.

FIGS. 16, 17, 18, 19, 20, and 21 are respective front, rear, top, bottom, right side, and left side views corresponding to that of FIG. 15; and,

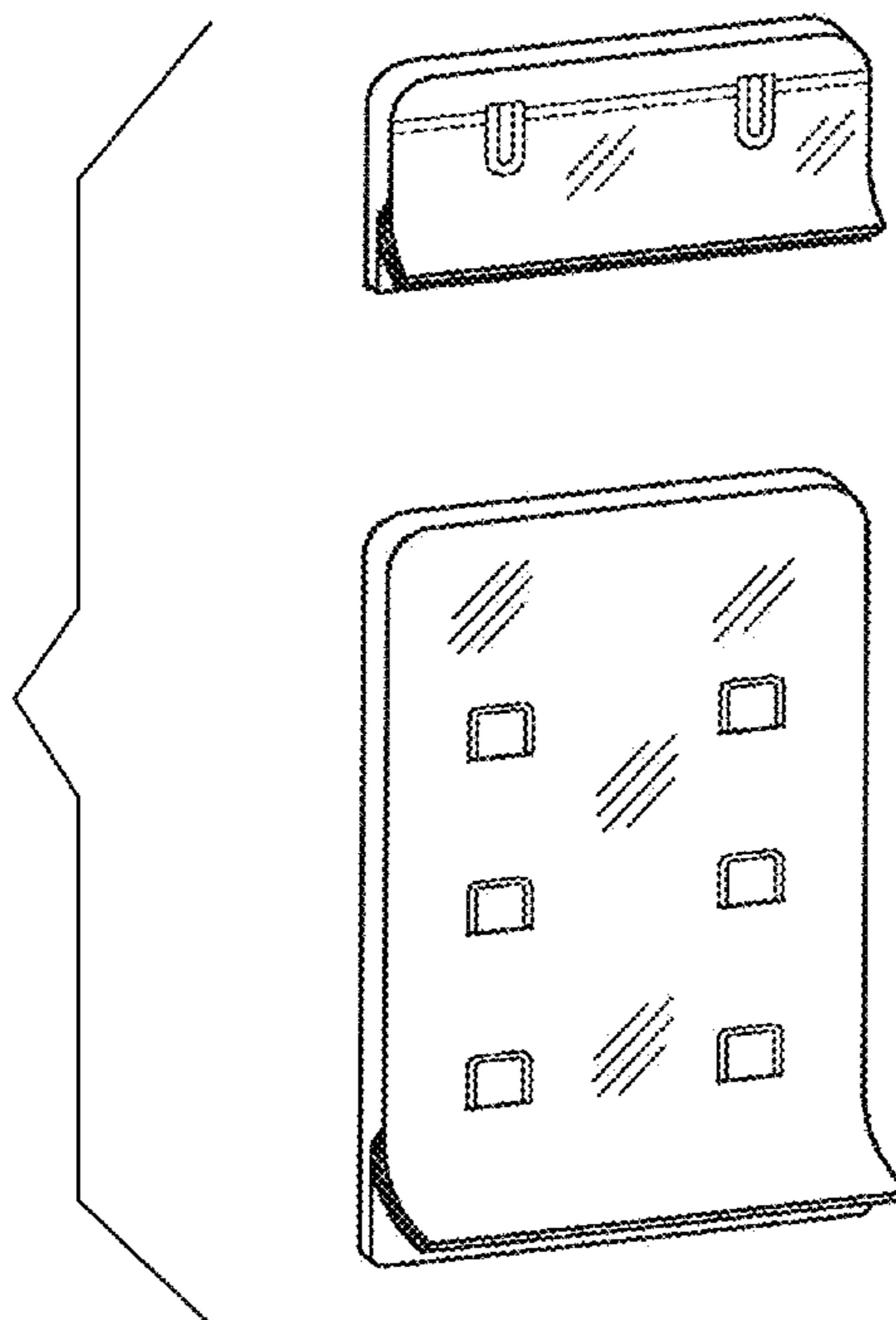
FIGS. 23, 24, 25, 26, 27, and 28 are respective front, rear, top, bottom, right side, and left side views corresponding to that of FIG. 22.

(56) **References Cited**

U.S. PATENT DOCUMENTS

6,820,312 B1 11/2004 Senn
D530,648 S * 10/2006 Utaka D11/208
7,882,605 B2 2/2011 Senn
7,918,711 B2 * 4/2011 Yeung A41F 1/006
24/592.1

1 Claim, 12 Drawing Sheets



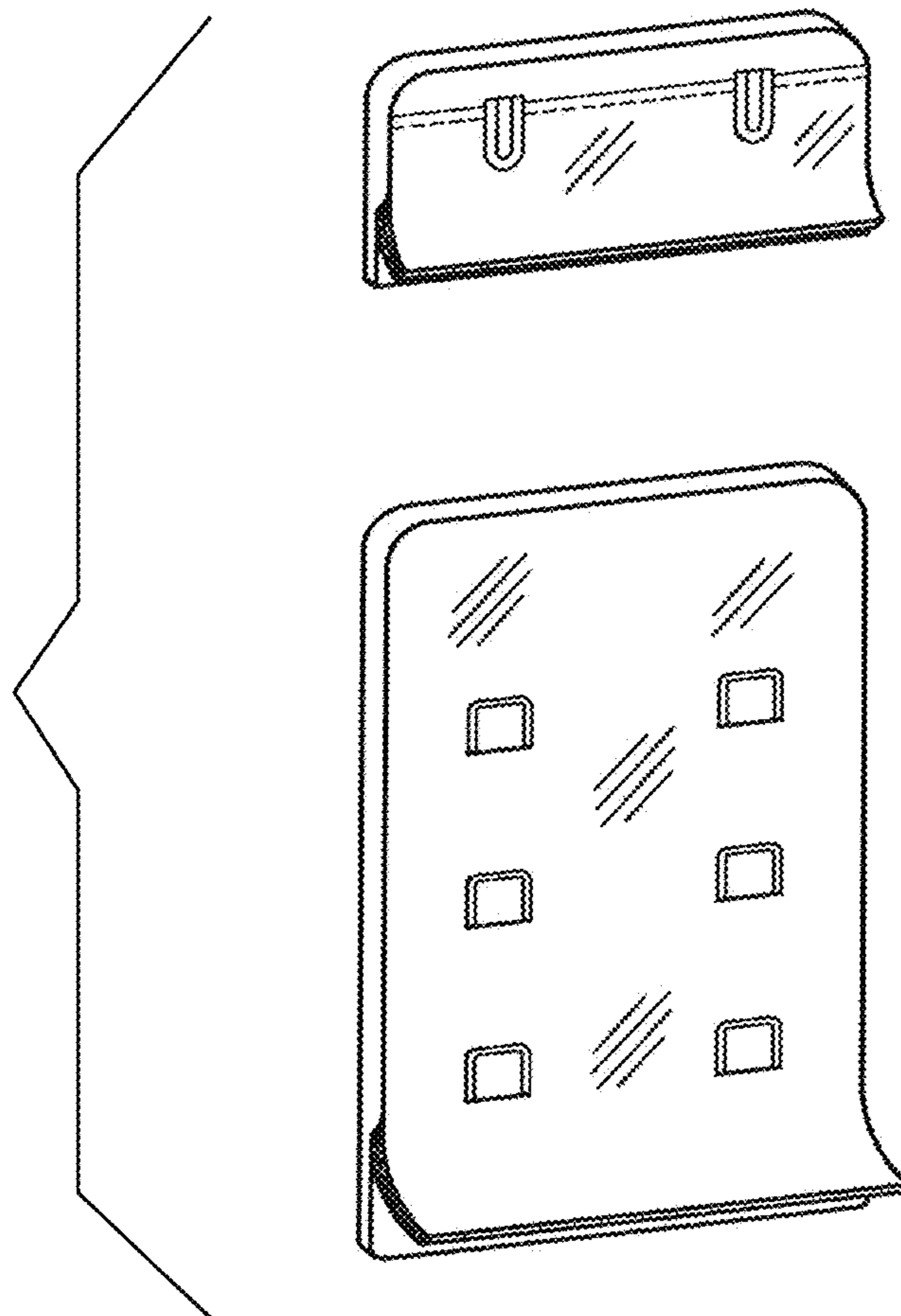


FIG.1

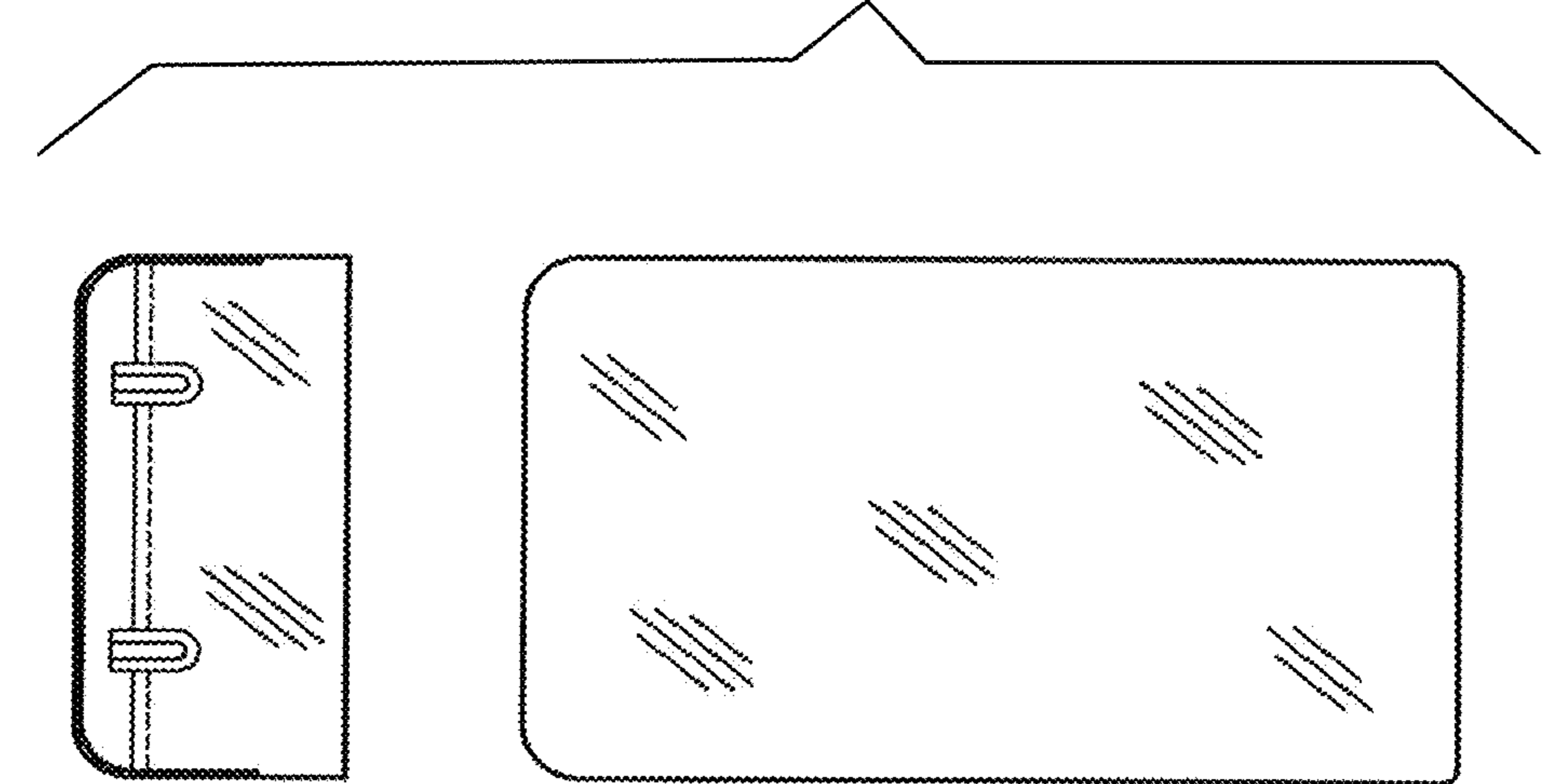


FIG. 3

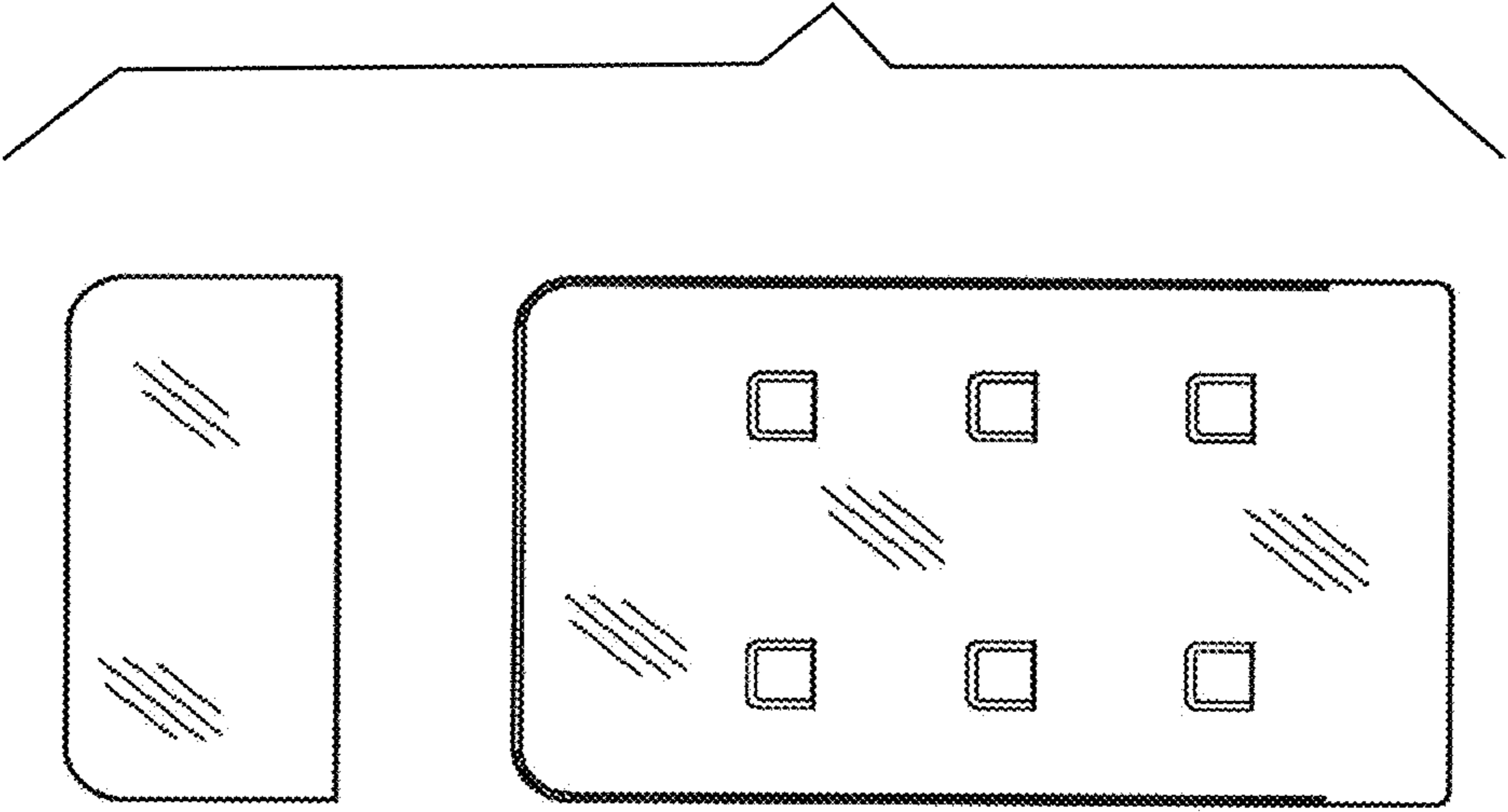


FIG. 2

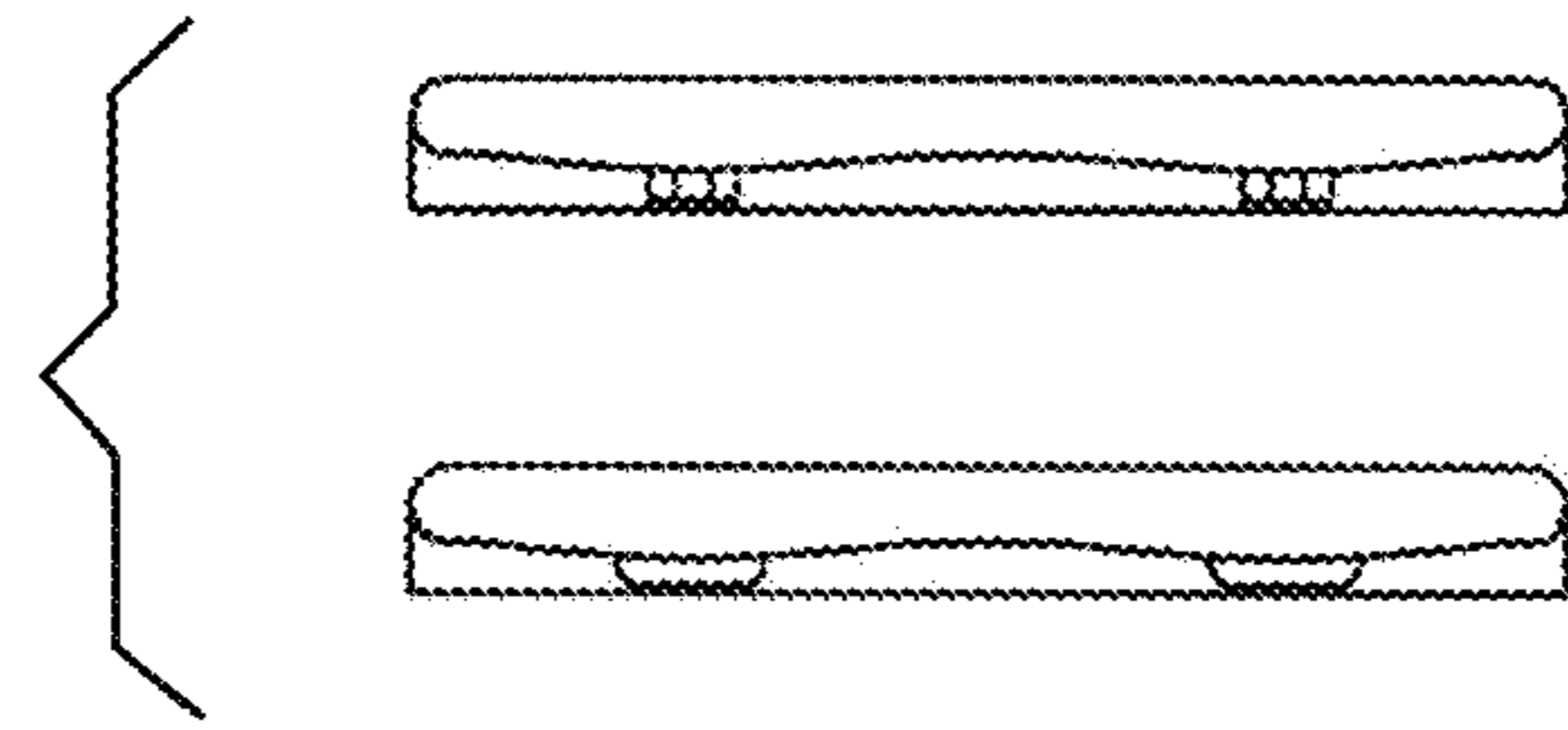


FIG.4

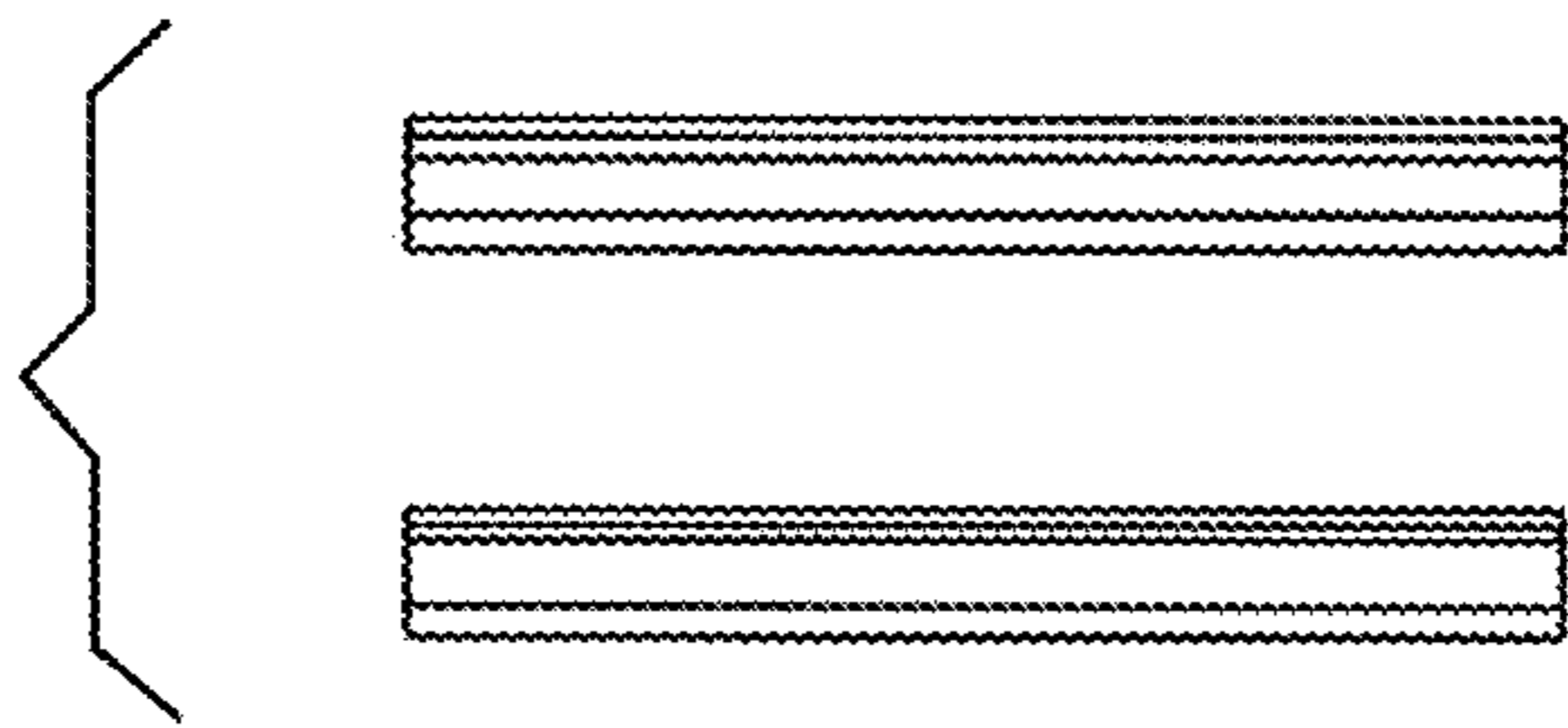


FIG.5

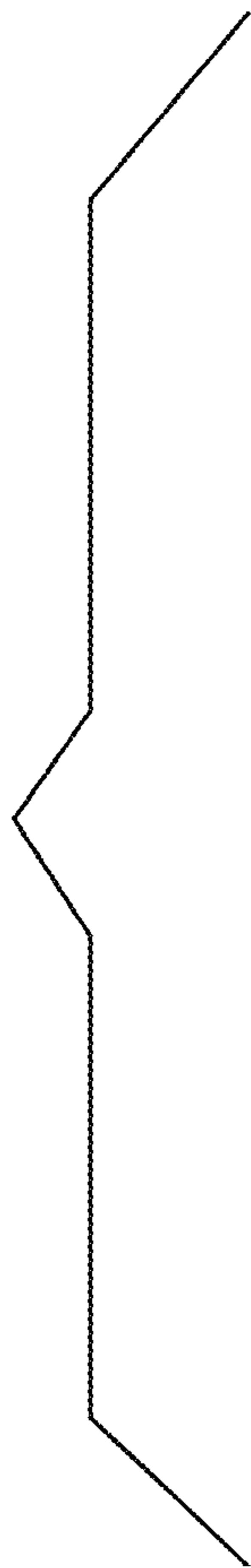


FIG.6

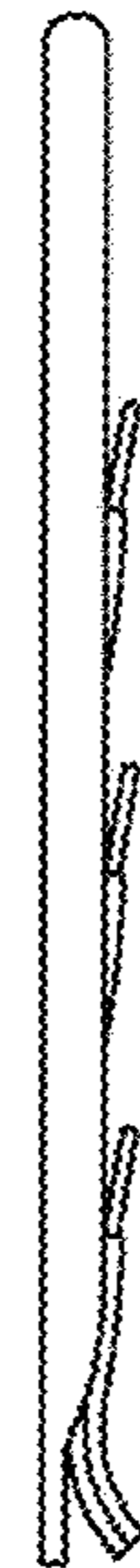
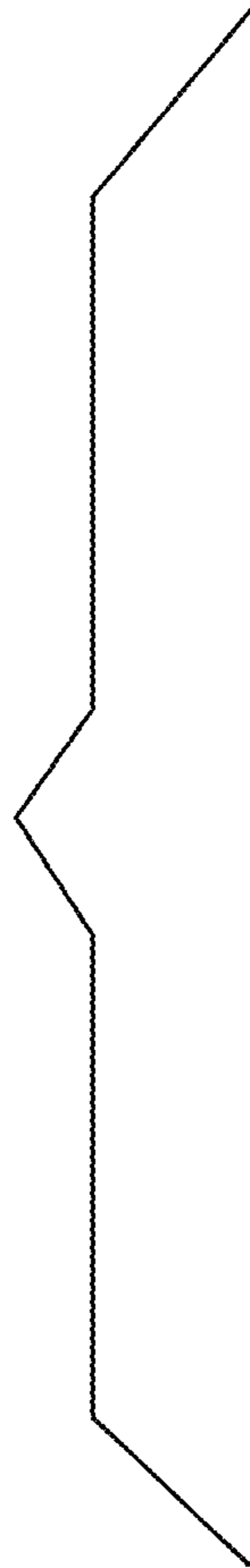


FIG.7

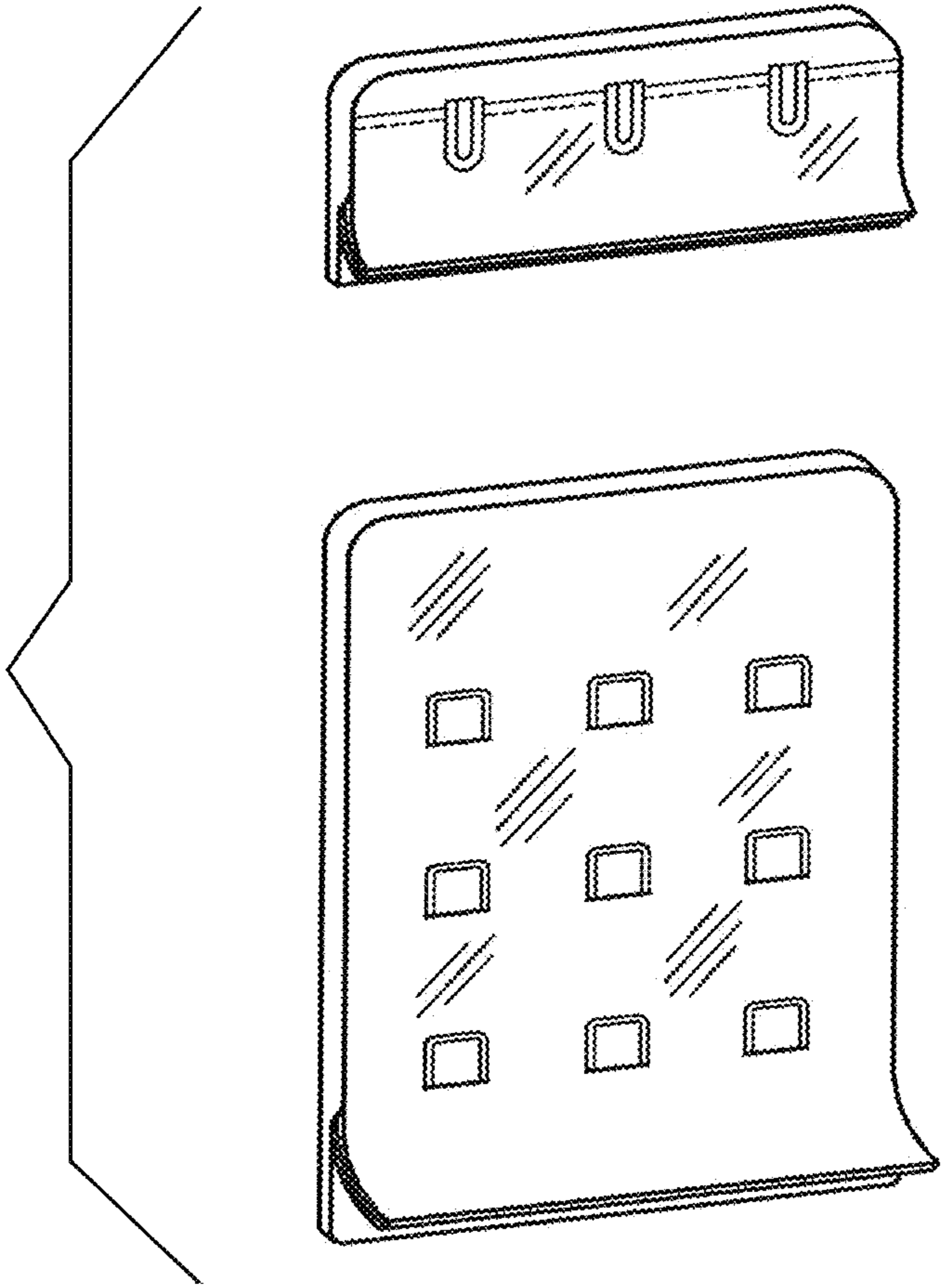
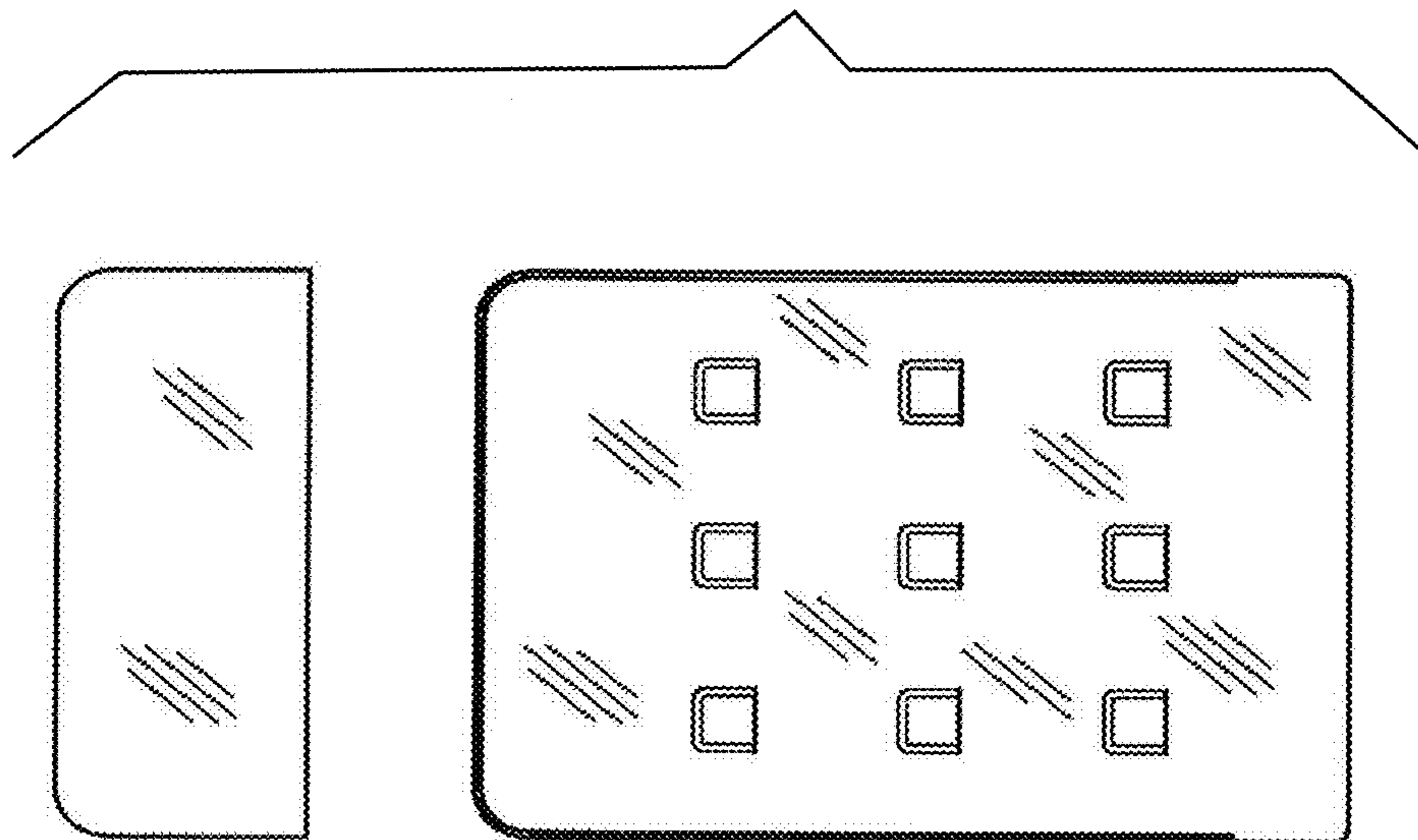
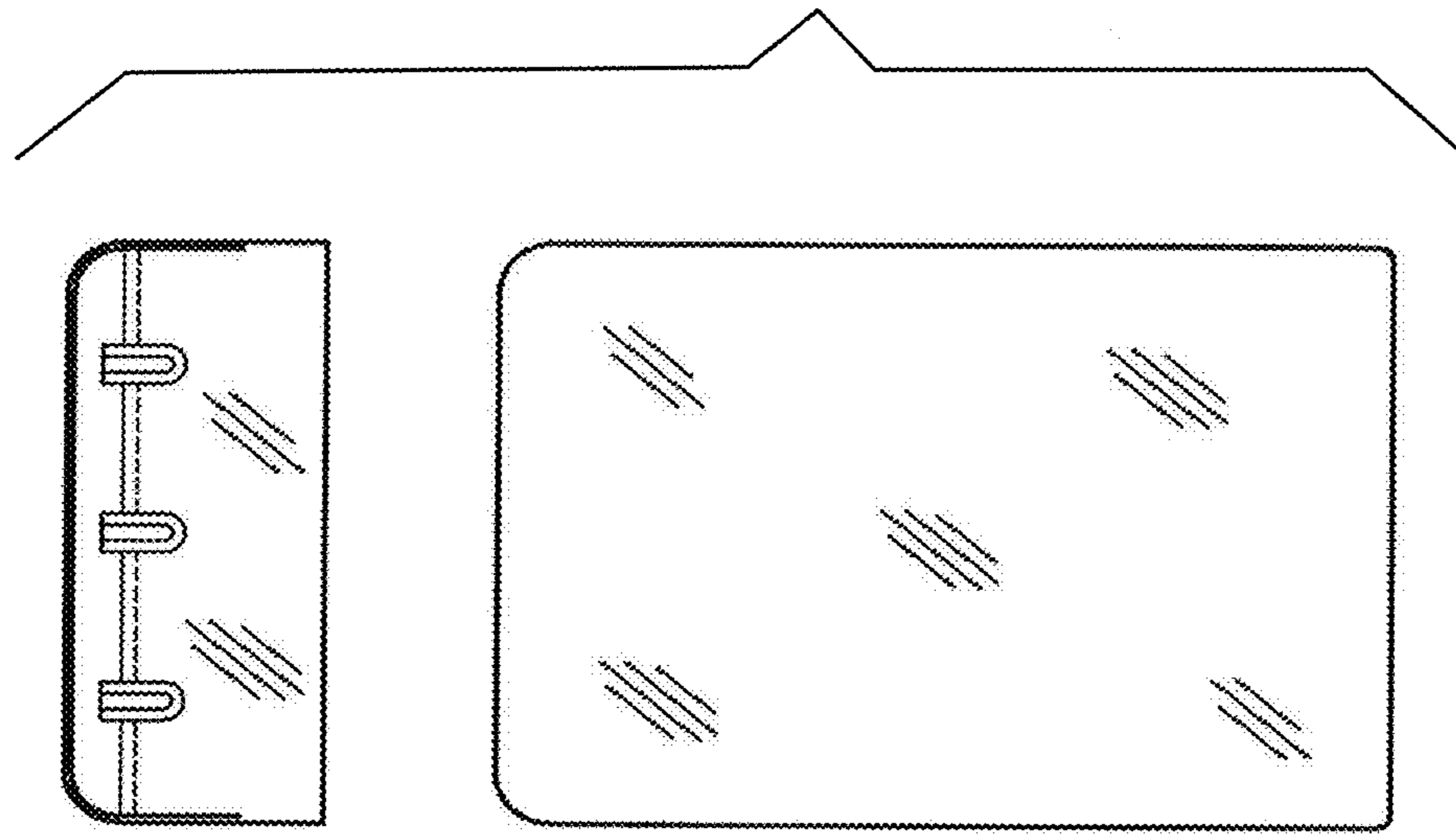


FIG. 8



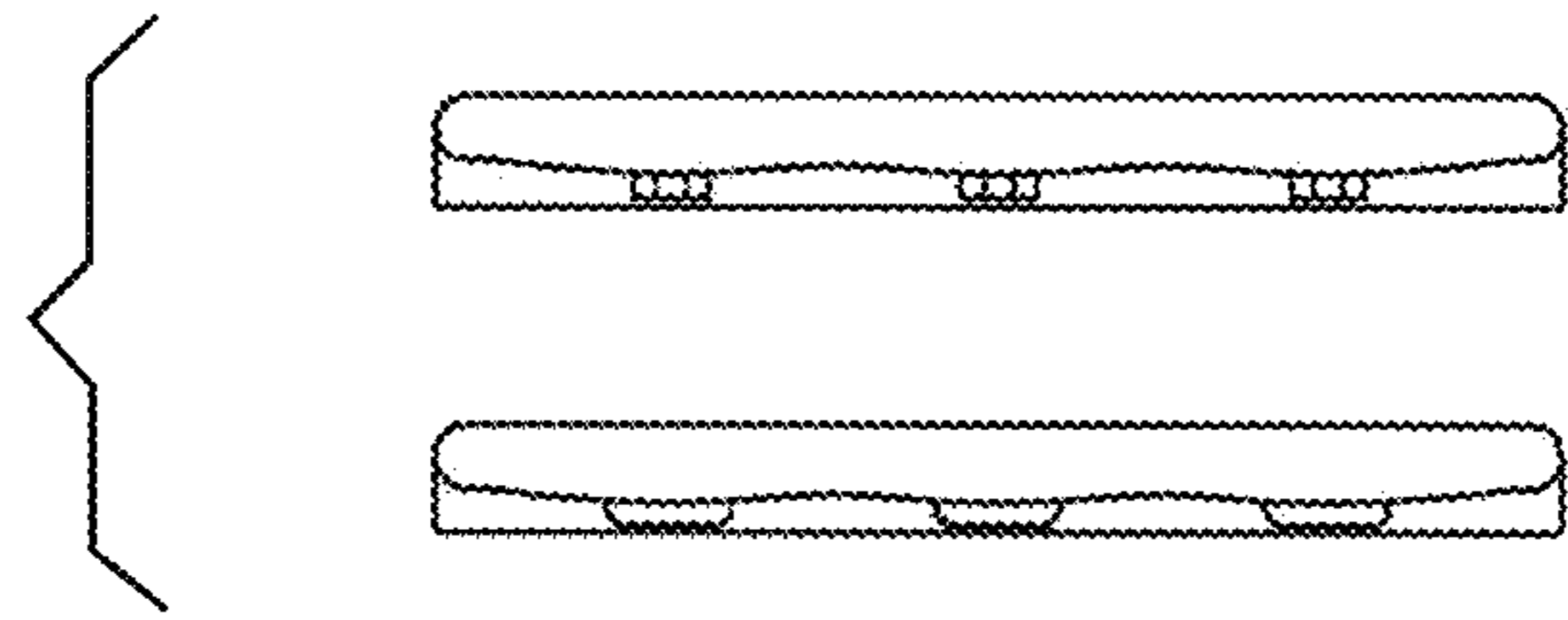


FIG. 11

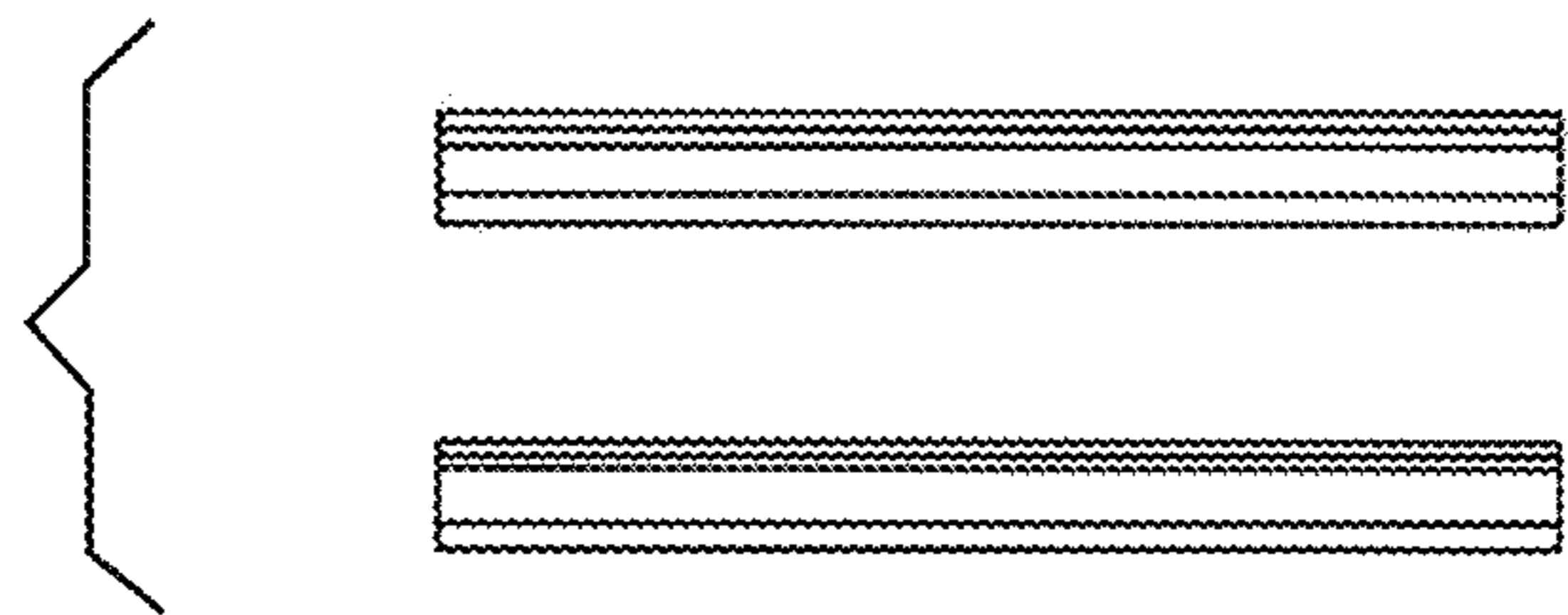


FIG. 12

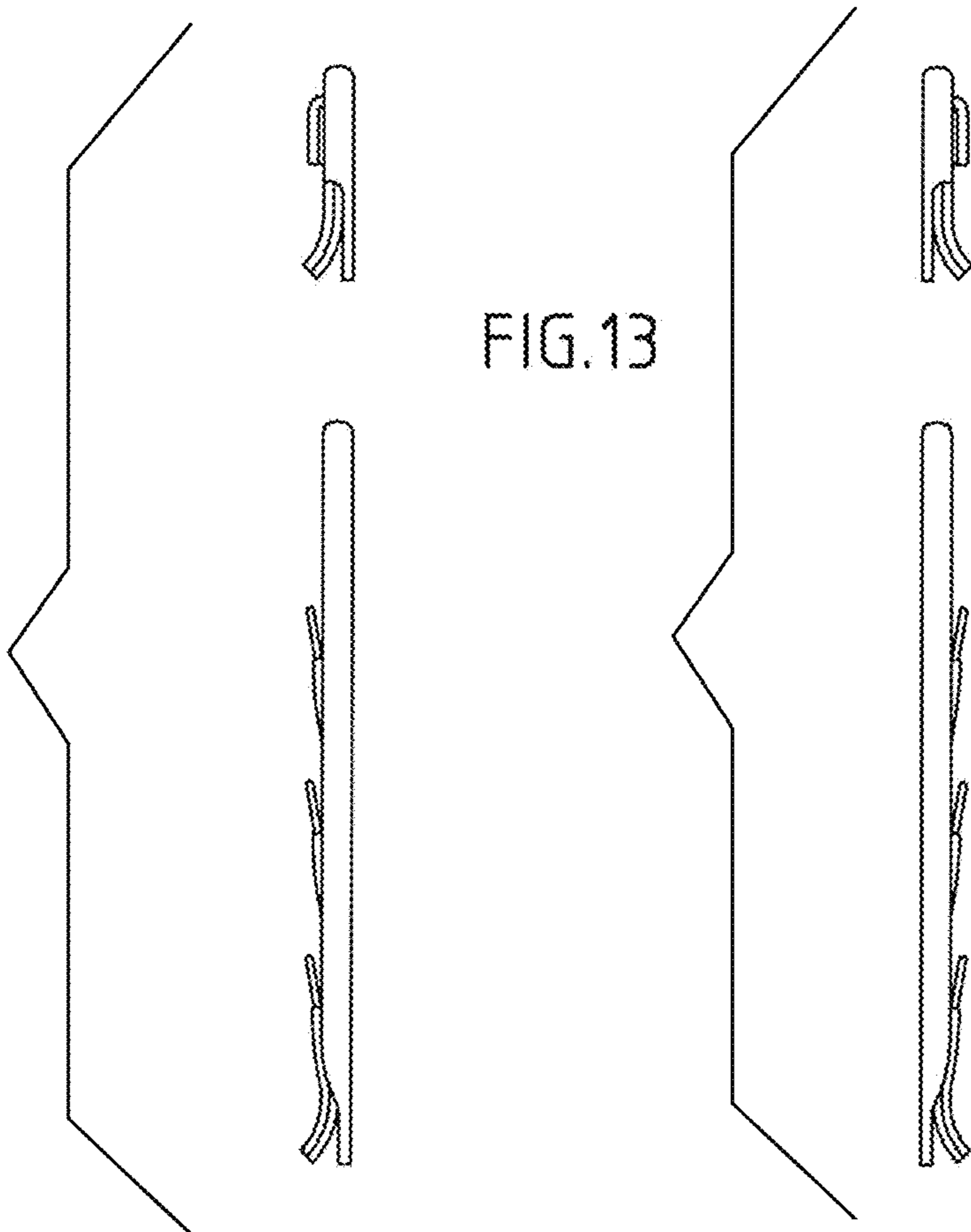


FIG. 13

FIG. 14

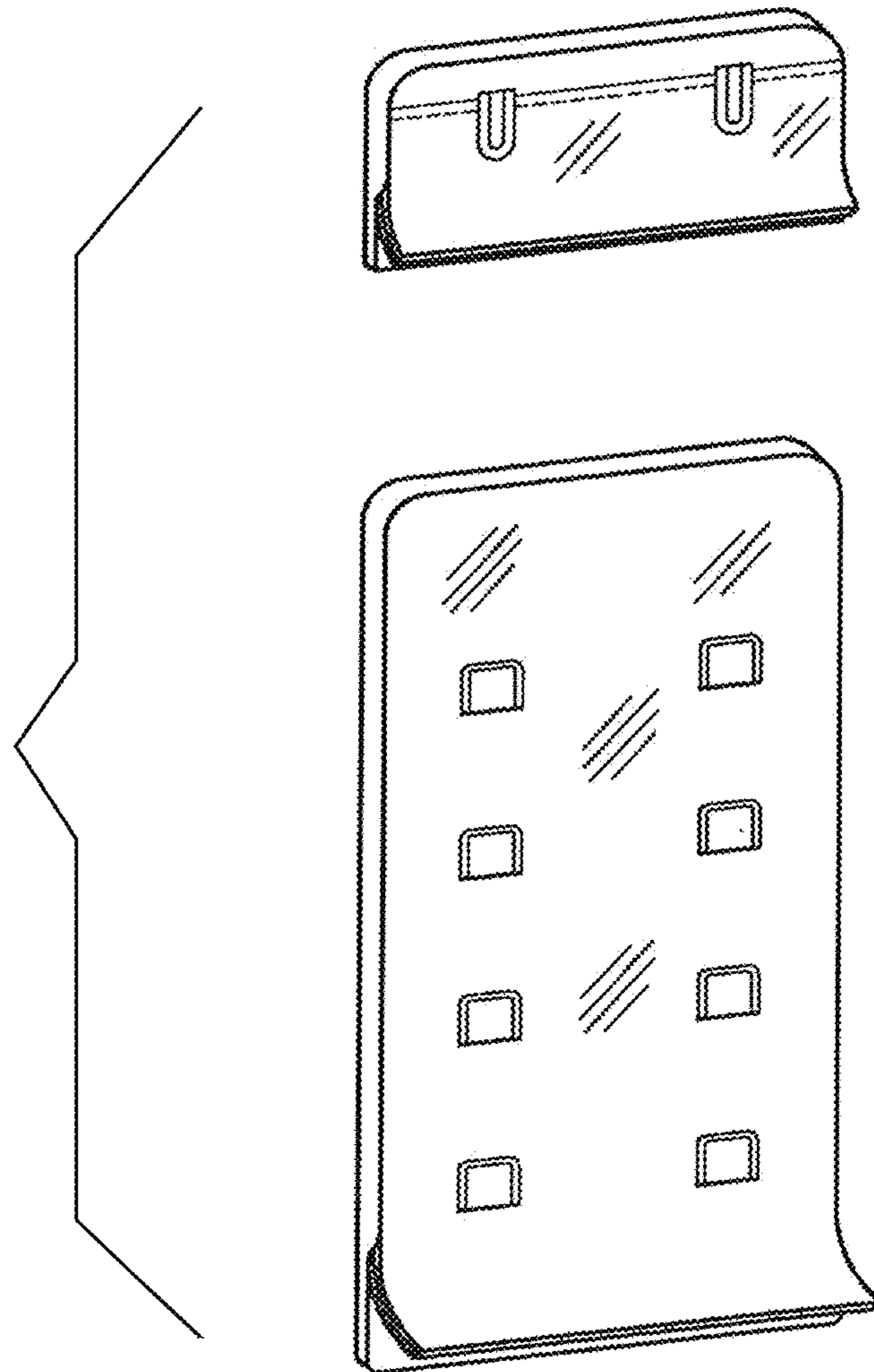
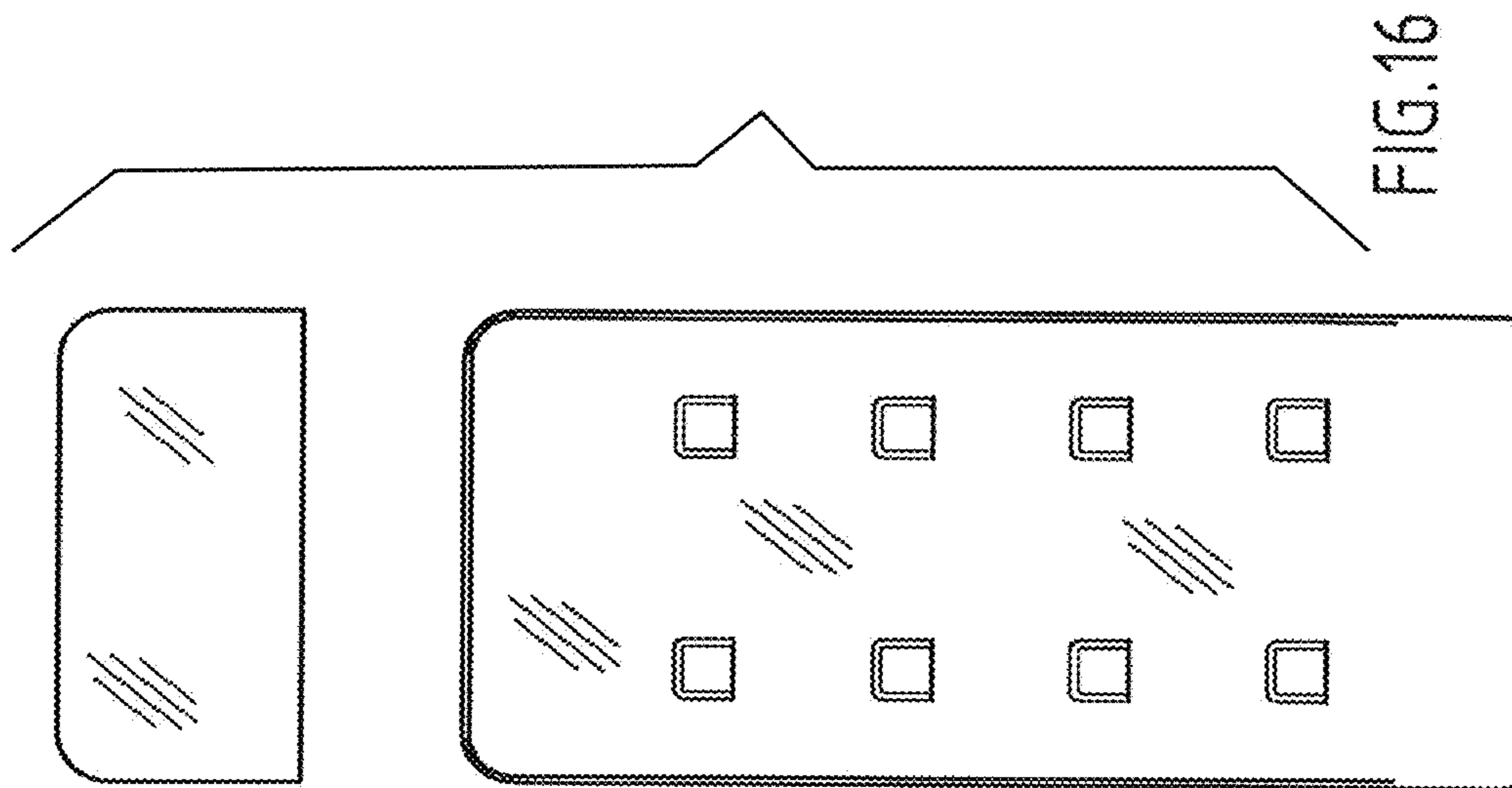
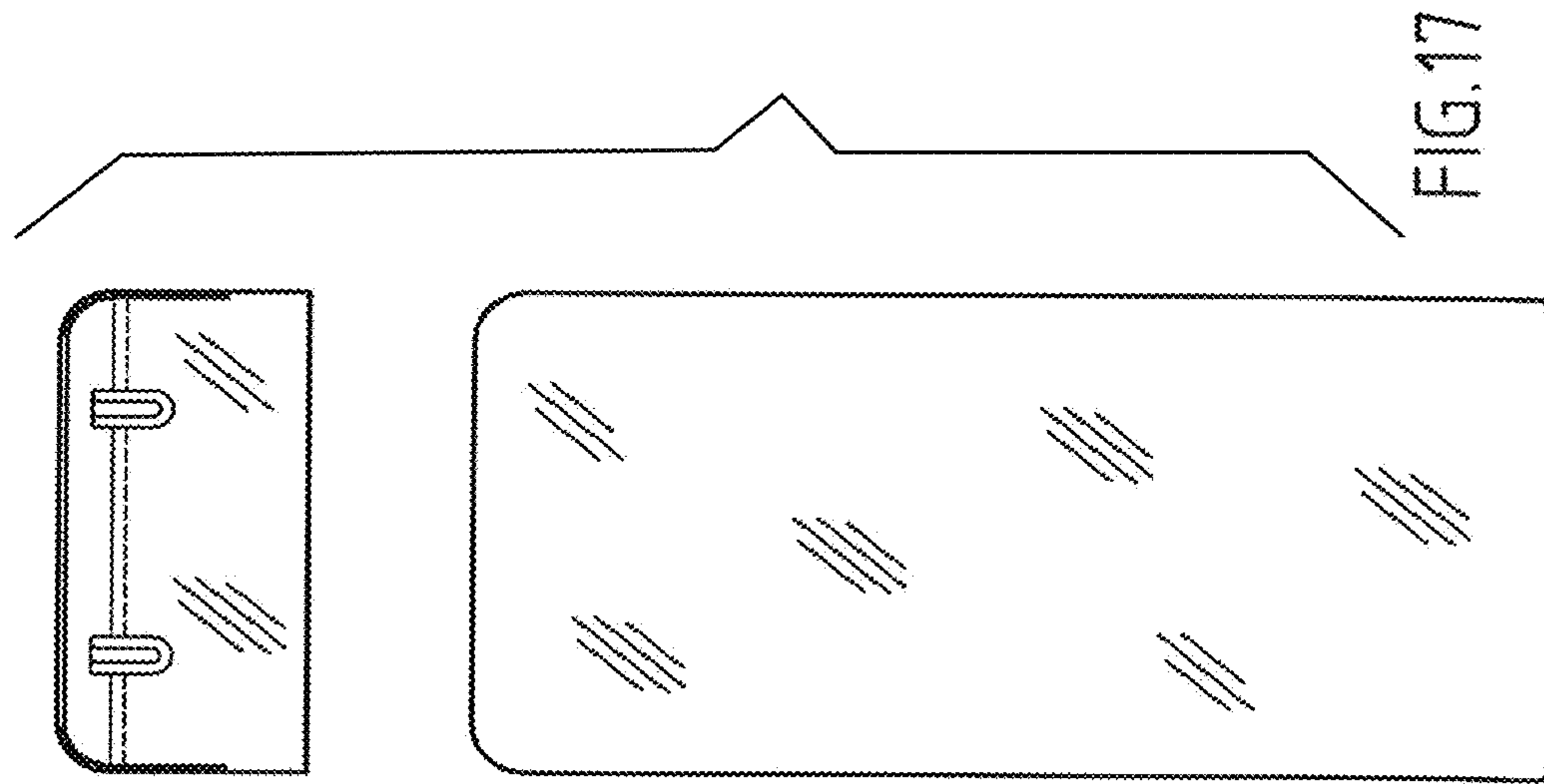


FIG.15



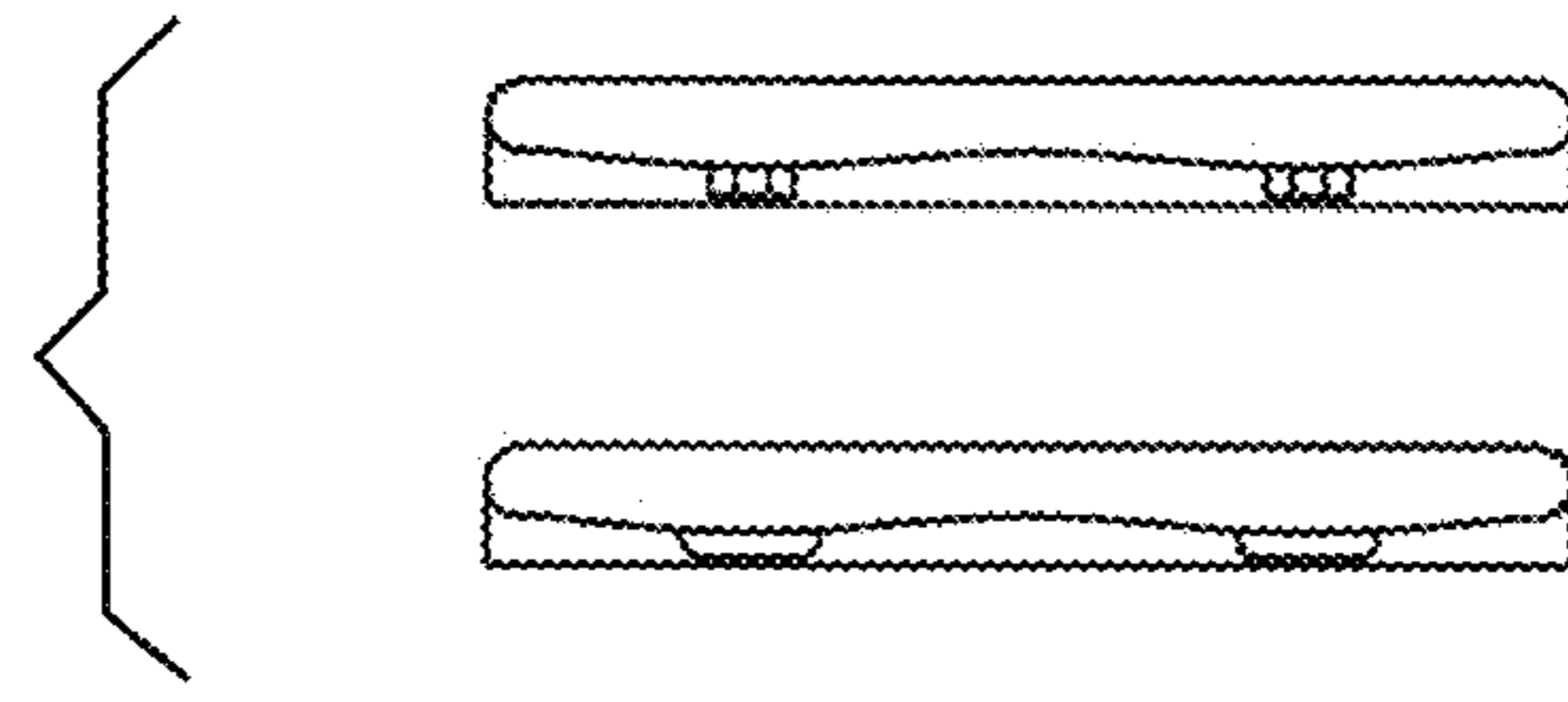


FIG. 18

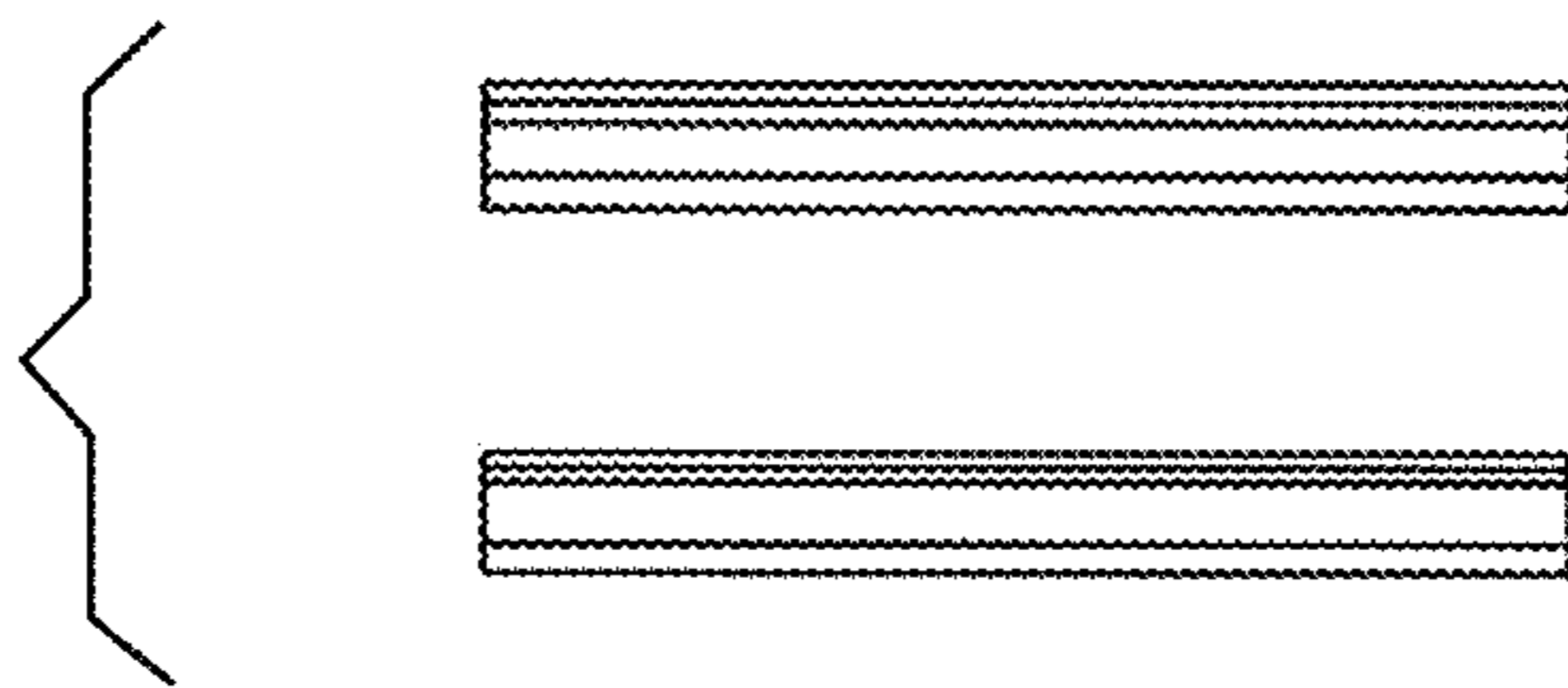


FIG. 19

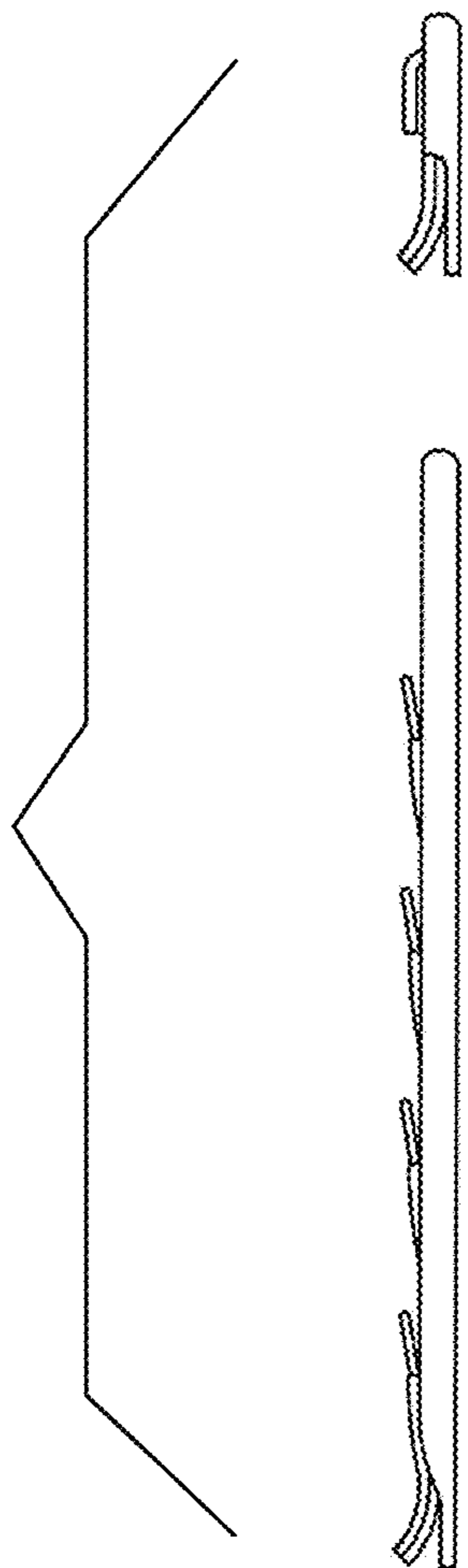


FIG. 20

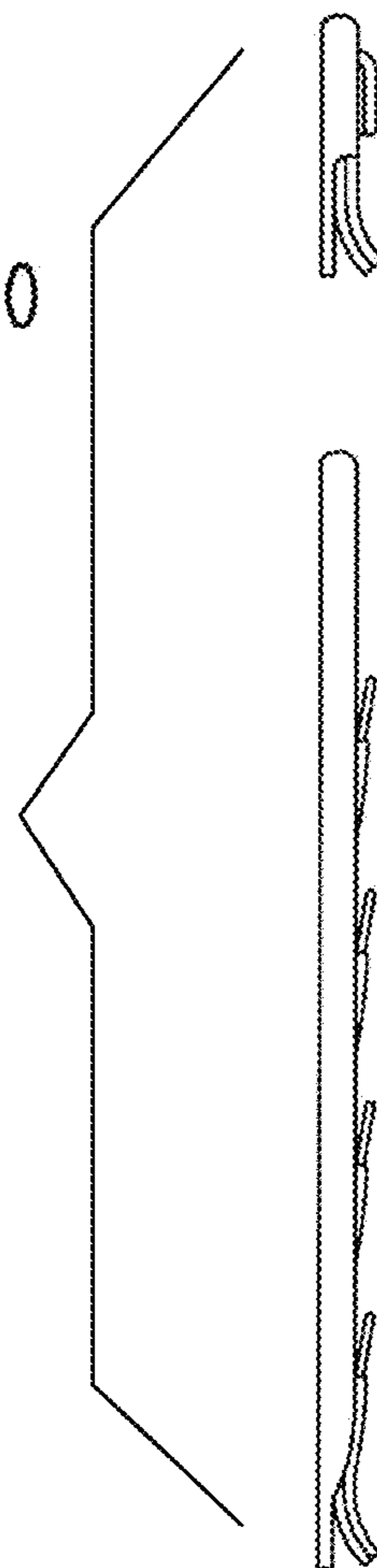


FIG. 21

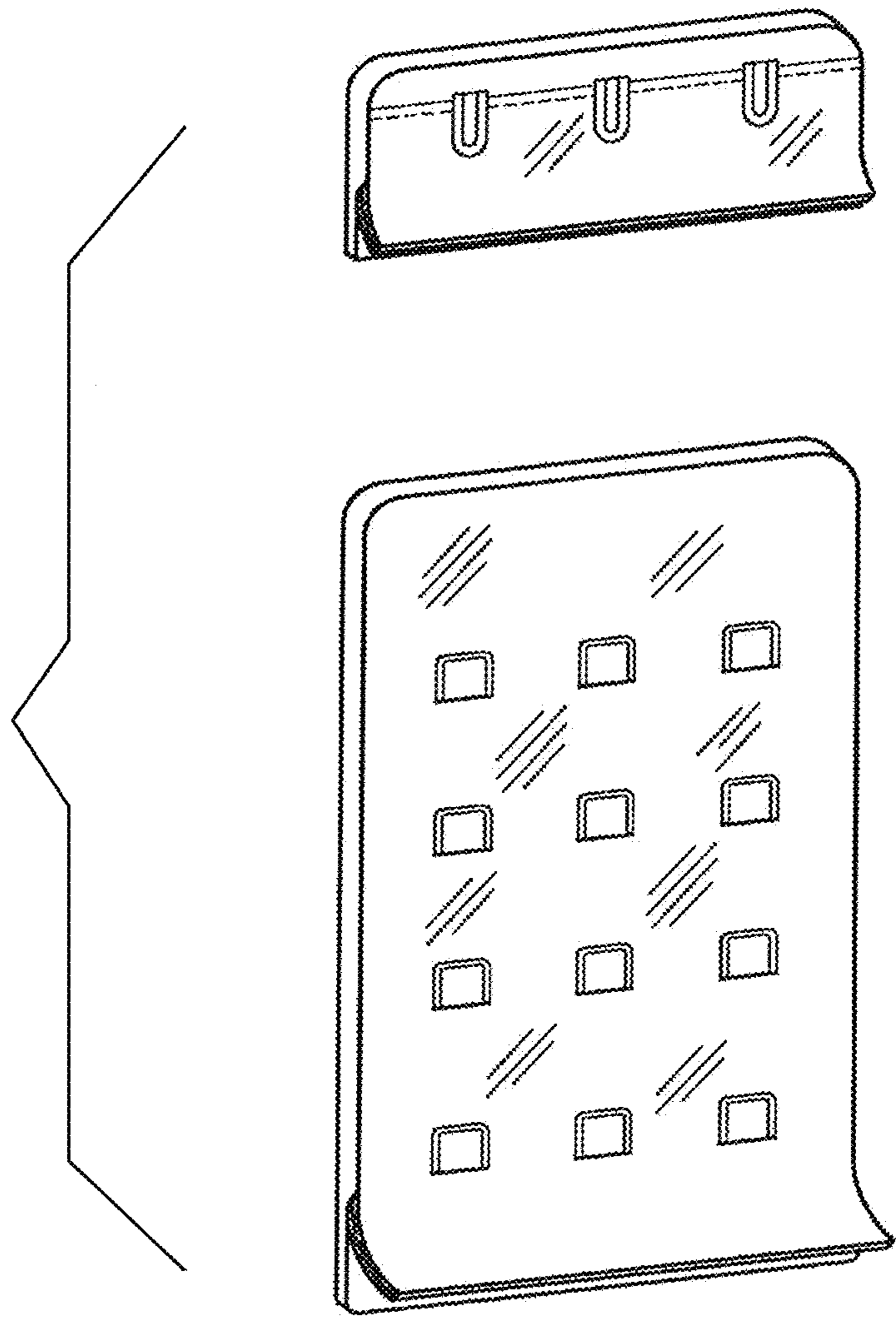
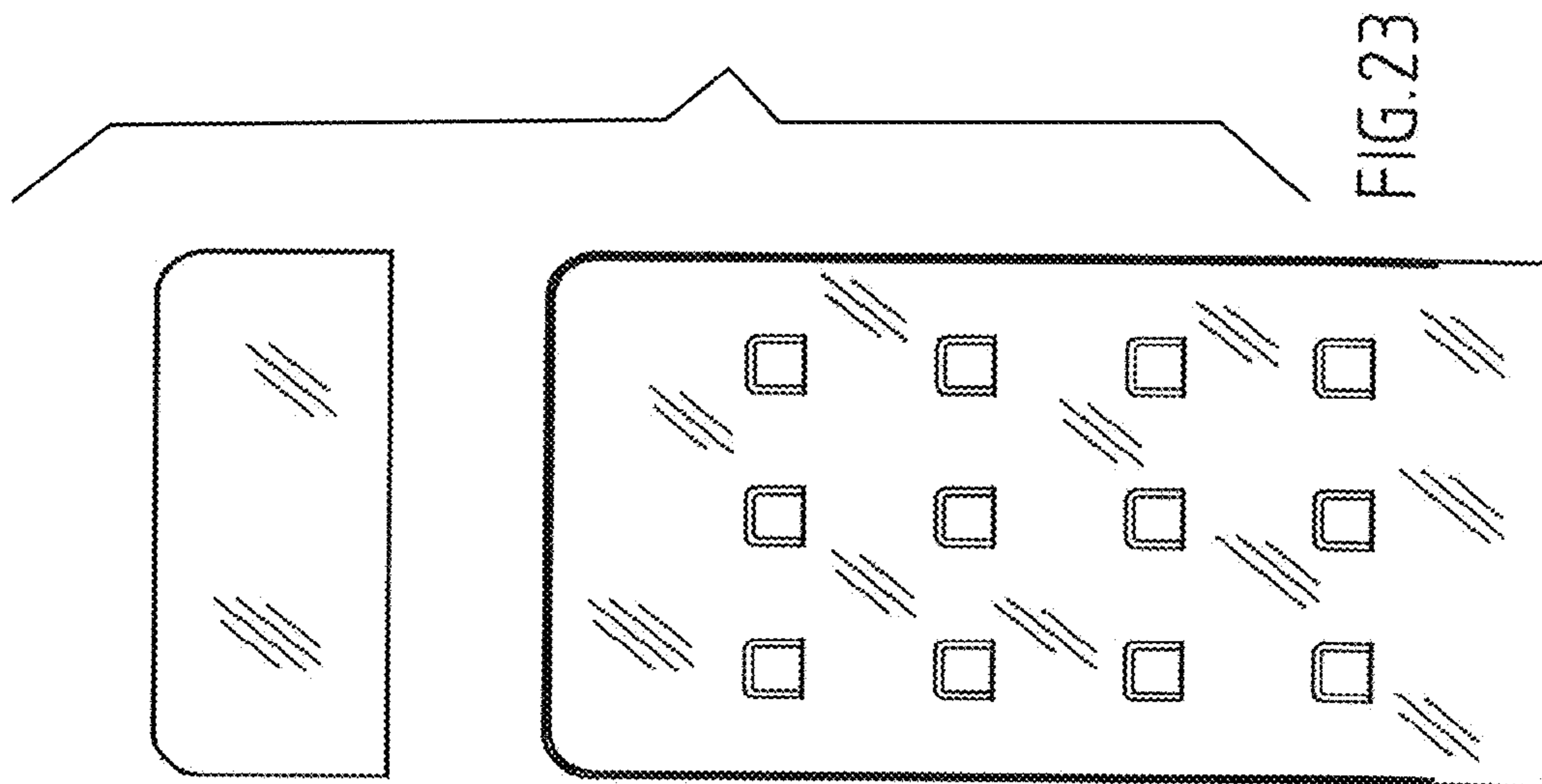
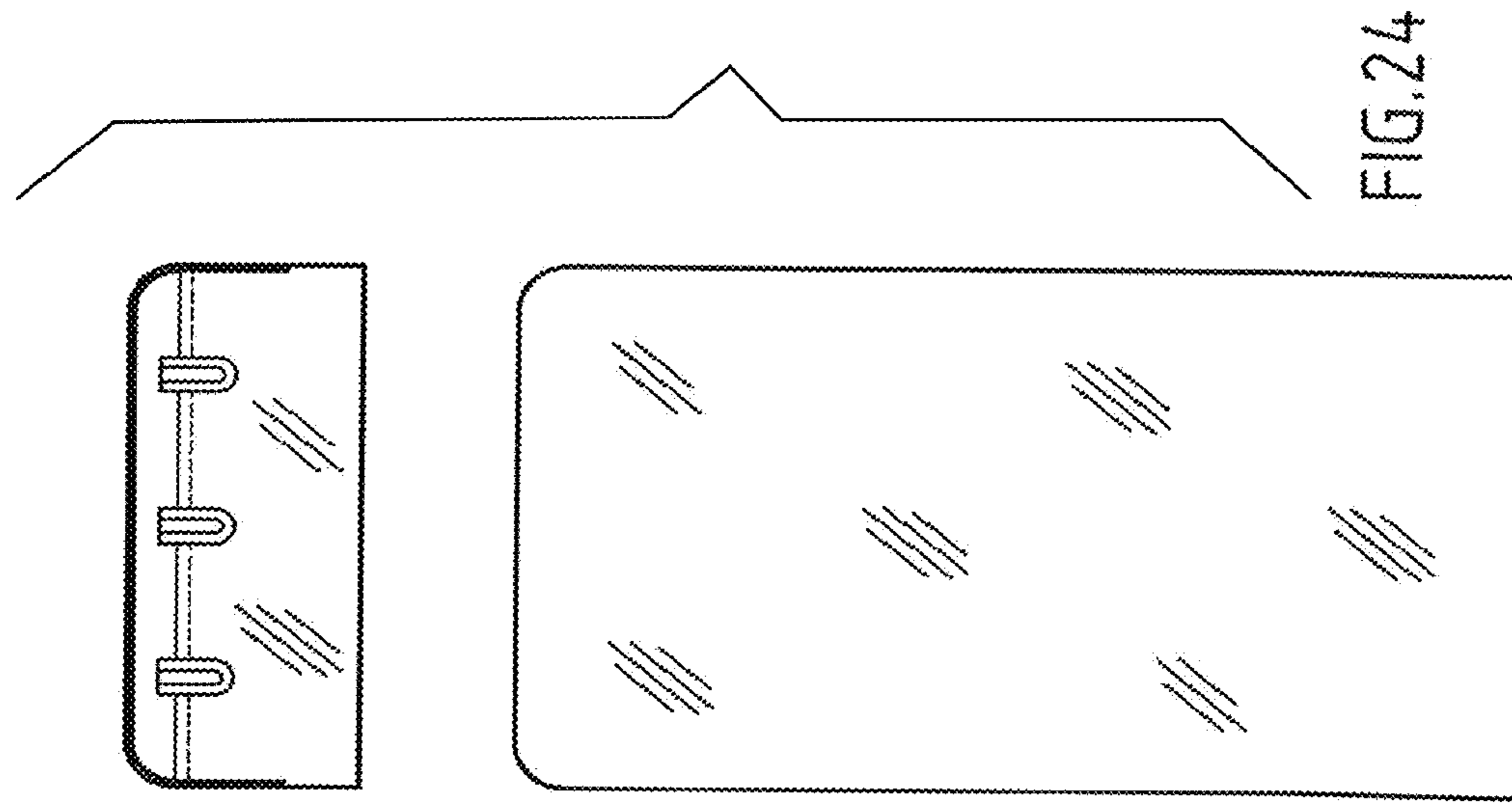


FIG. 22



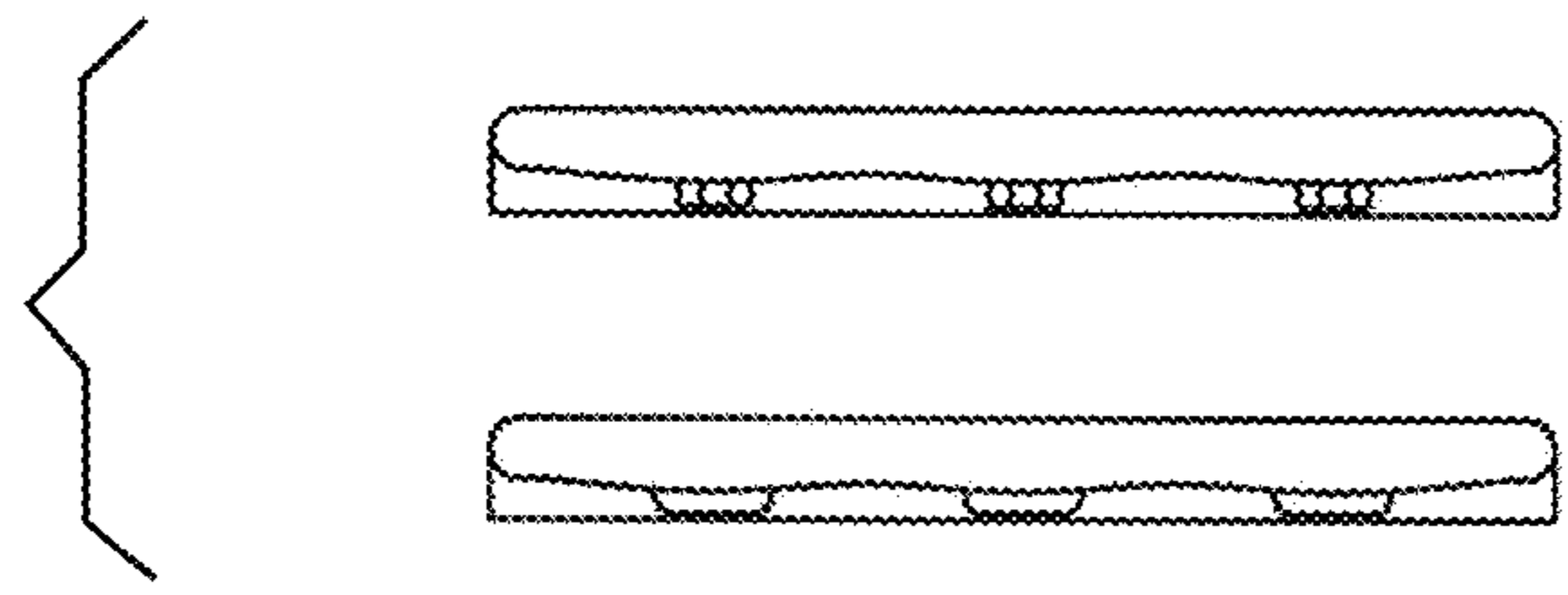


FIG. 25

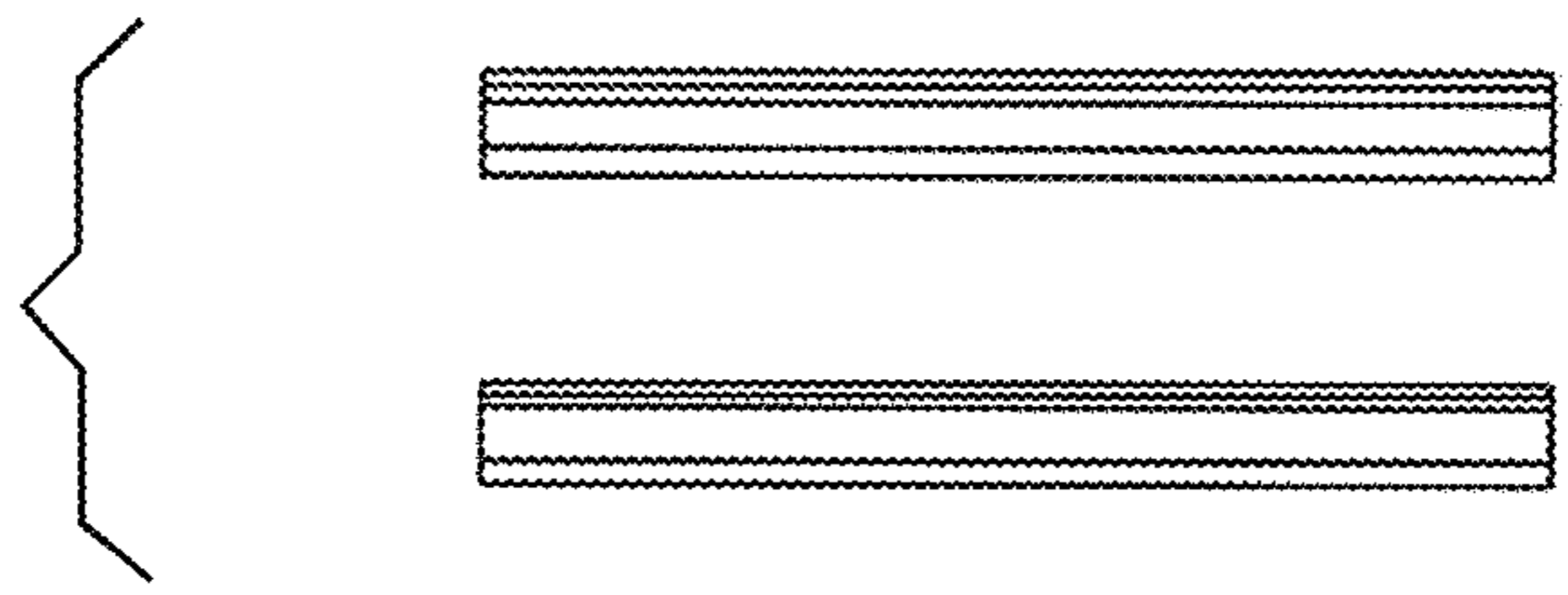


FIG. 26

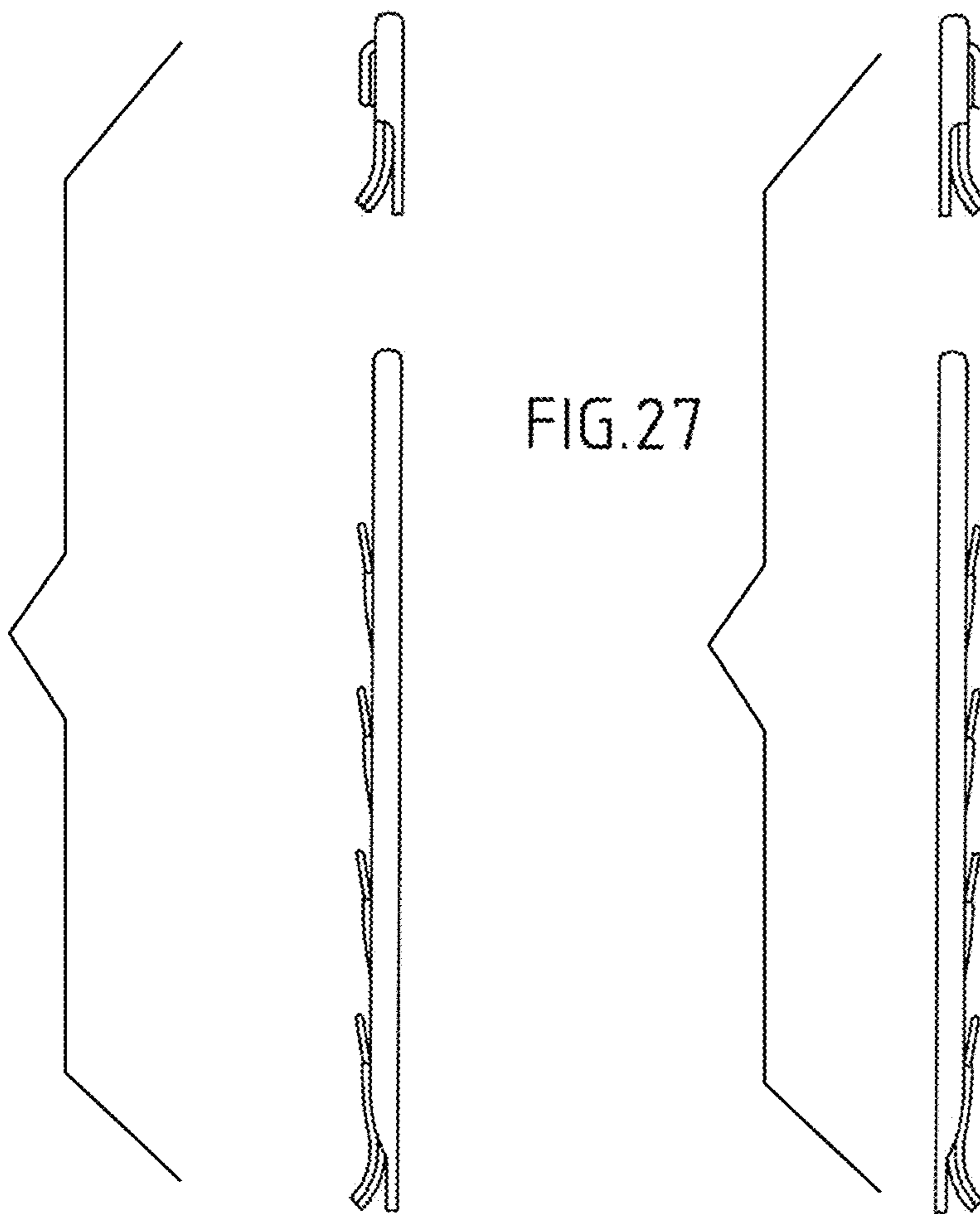


FIG. 27

FIG. 28