

US00D763116S

(12) **United States Design Patent**
Visconti

(10) **Patent No.:** **US D763,116 S**
(45) **Date of Patent:** **** Aug. 9, 2016**

(54) **MAGNETIC FRAME FOR USE WITH NECKLACE**

(71) Applicant: **Ramona Lee Visconti**, Newport Beach, CA (US)

(72) Inventor: **Ramona Lee Visconti**, Newport Beach, CA (US)

(**) Term: **14 Years**

(21) Appl. No.: **29/503,669**

(22) Filed: **Sep. 29, 2014**

(51) **LOC (10) Cl.** **11-01**

(52) **U.S. Cl.**
USPC **D11/80**

(58) **Field of Classification Search**
USPC D11/1-26, 79-87; D10/70, 98, 32, 38; D3/203.1, 215, 218, 201; D13/183
CPC A44C 5/00; A44C 5/0007; A44C 5/0015; A44C 5/0023; A44C 5/003; A44C 5/0038; A44C 5/0053; A44C 5/0061; A44C 5/0069; A44C 5/0076; A44C 5/0084; A44C 5/0092; A44C 5/20; A44C 25/00; A44C 25/001; A44C 25/002; A44C 25/004; A44C 25/007; A61B 5/02405

See application file for complete search history.

(56) **References Cited**

U.S. PATENT DOCUMENTS

D65,311 S * 7/1924 Strasser D10/38
1,689,251 A * 10/1928 Ogush A44C 5/22
224/172
2,255,999 A * 9/1941 Kuehner A44C 5/0015
224/219
D193,404 S * 8/1962 Telford D11/26
3,810,566 A * 5/1974 Adams A44C 5/0015
224/196
D362,809 S * 10/1995 Sigmund D10/30
D419,079 S * 1/2000 Rodkey D10/31
D476,916 S * 7/2003 Fildan D11/21
D493,493 S * 7/2004 Howard D20/27

D533,801 S * 12/2006 Missir D11/22
D548,432 S * 8/2007 Martin D11/3
D569,756 S * 5/2008 Smith D11/3
D576,069 S * 9/2008 Momjian D11/79
D613,938 S * 4/2010 Alexander D2/976
D619,354 S * 7/2010 Mudrick D3/208
D619,919 S * 7/2010 Harding D11/80
D629,329 S * 12/2010 Mudrick D11/87
D630,425 S * 1/2011 Olaverri D2/976
D637,106 S * 5/2011 Babyak D11/1
D715,678 S * 10/2014 Ochoa D11/80
D729,087 S * 5/2015 Phillips D10/103
D729,088 S * 5/2015 Phillips D10/103
D745,868 S * 12/2015 Choi D10/32

OTHER PUBLICATIONS

[Online] <https://s-media-cache-ak0.pinimg.com/236x/bd/05/60/bd05604a1f6a4ebd841bdd0ba3f777f9.jpg>. Retrieved May 25, 2016.*
[Online] <https://cdn.lyst.it/photos/b775-2016/02/09/fortune-frame-silver-envelope-fortune-locket-necklace-product-2-833997193-normal.jpeg>. Retrieved May 25, 2016.*

* cited by examiner

Primary Examiner — Garth Rademaker
Assistant Examiner — Melanie Pellegrini
(74) *Attorney, Agent, or Firm* — Eric Karich; Karich & Associates

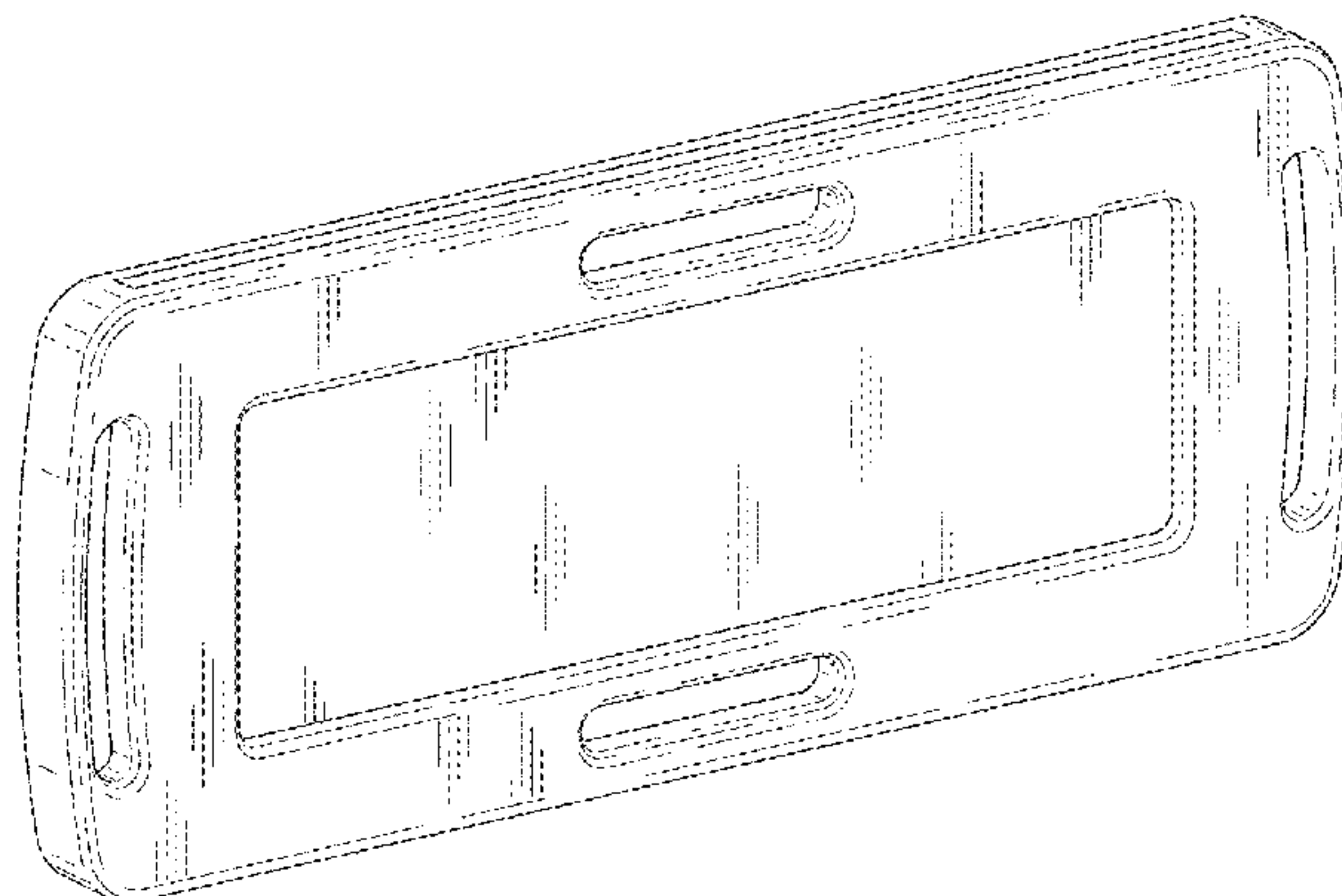
(57) **CLAIM**

The ornamental design for a “magnetic frame for use with necklace,” as shown and described.

DESCRIPTION

FIG. 1 is a perspective view of a magnetic frame for use with necklace, showing my new design;
FIG. 2 is a front elevational view thereof;
FIG. 3 is a rear elevational view thereof;
FIG. 4 is a left side elevational view thereof
FIG. 5 is a right side elevational view thereof;
FIG. 6 is a top plan view thereof; and,
FIG. 7 is a bottom plan view thereof.

1 Claim, 2 Drawing Sheets



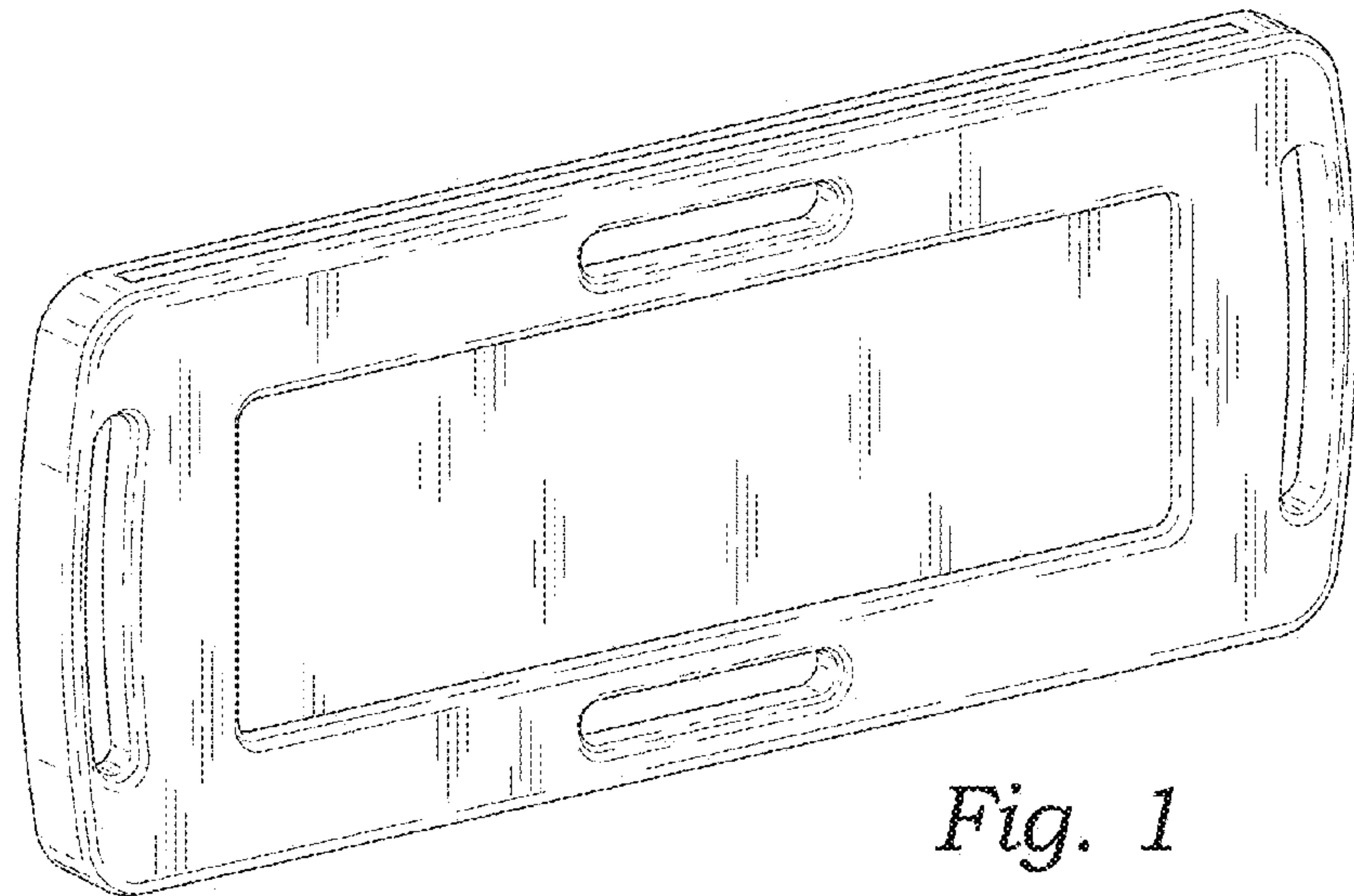


Fig. 1

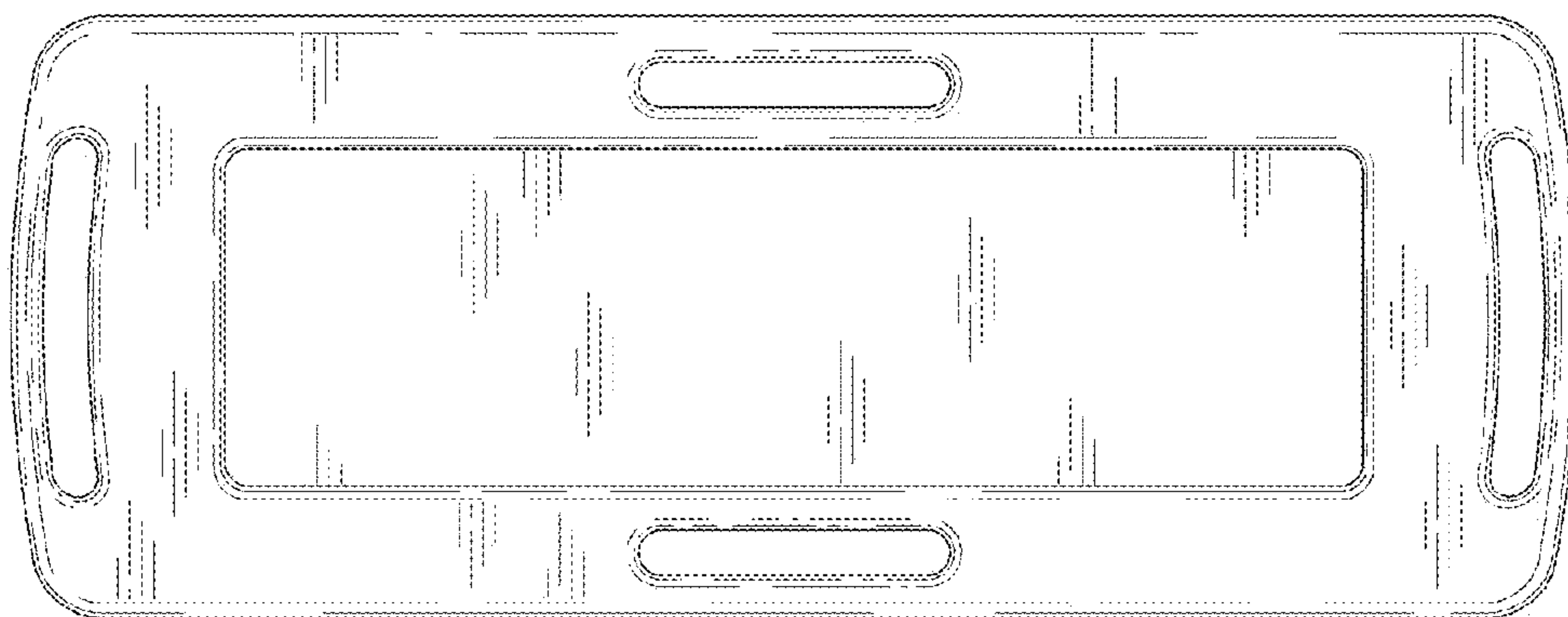


Fig. 2

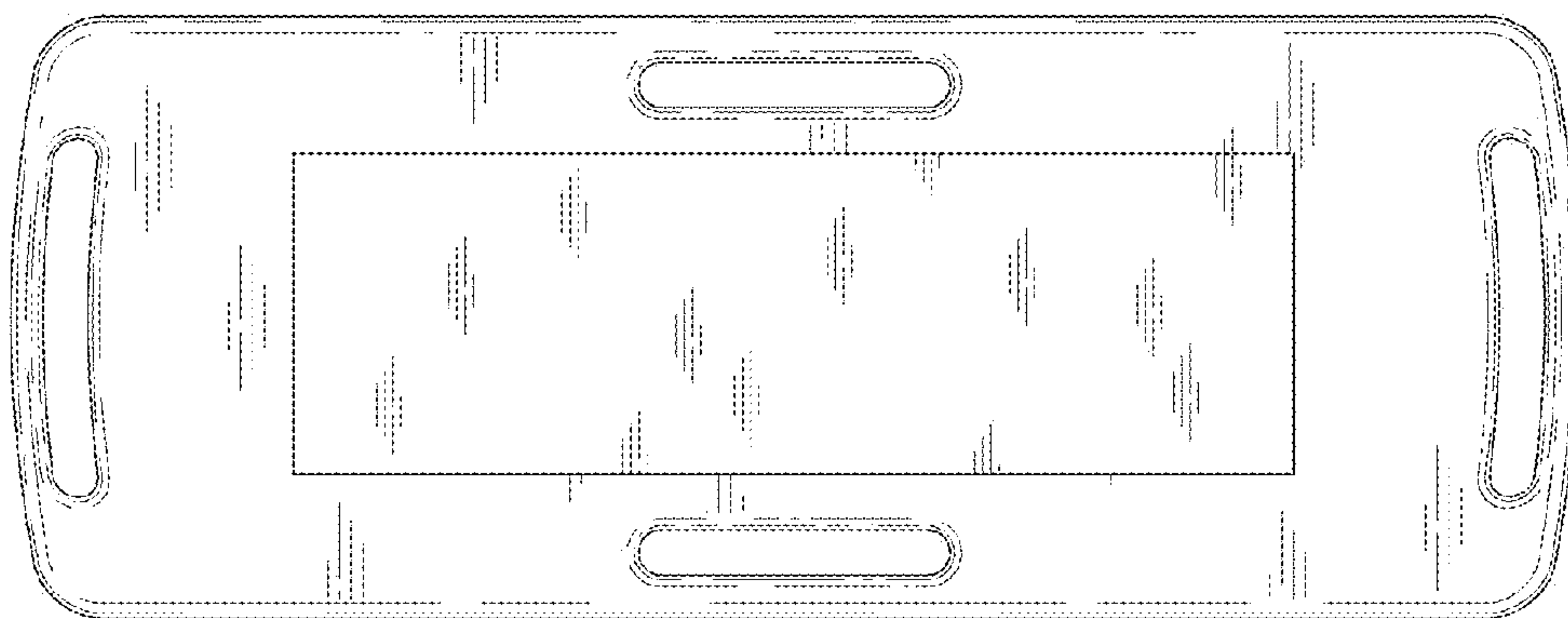


Fig. 3

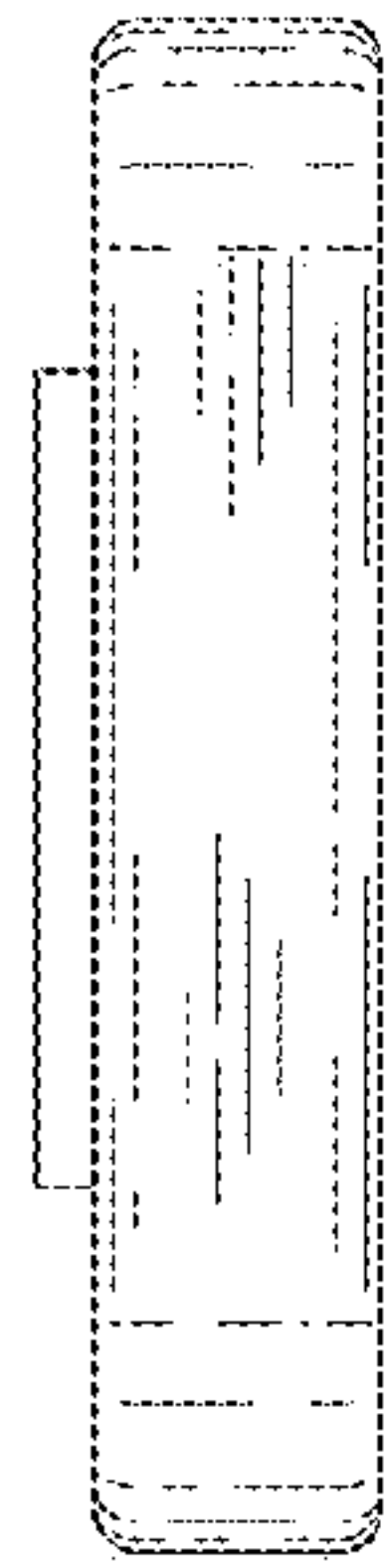


Fig. 4

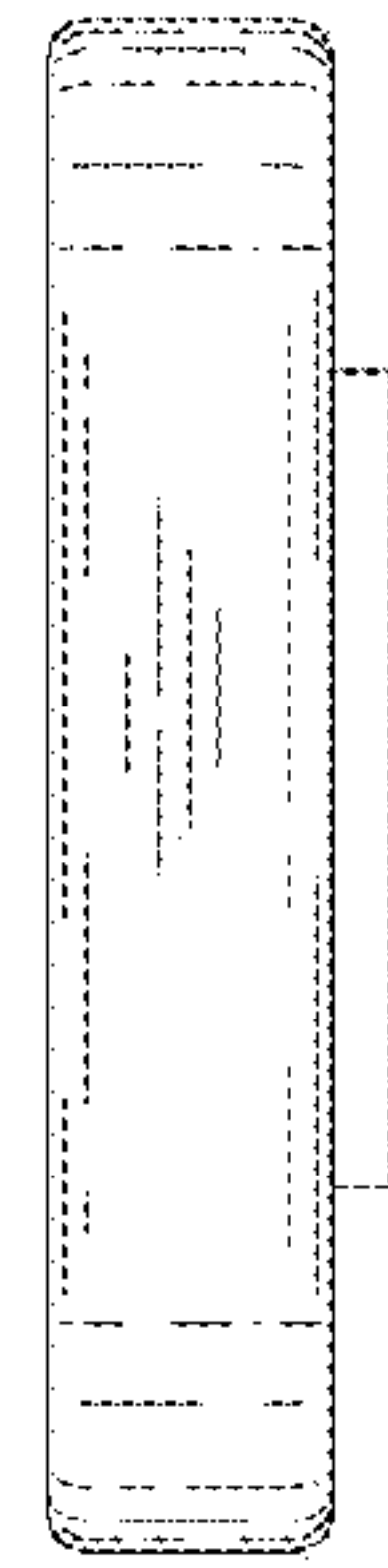


Fig. 5

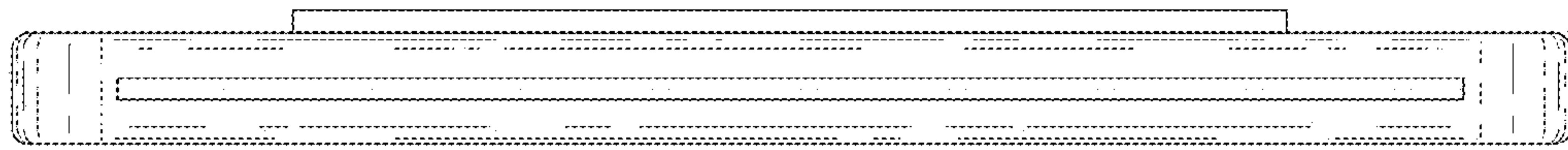


Fig. 6

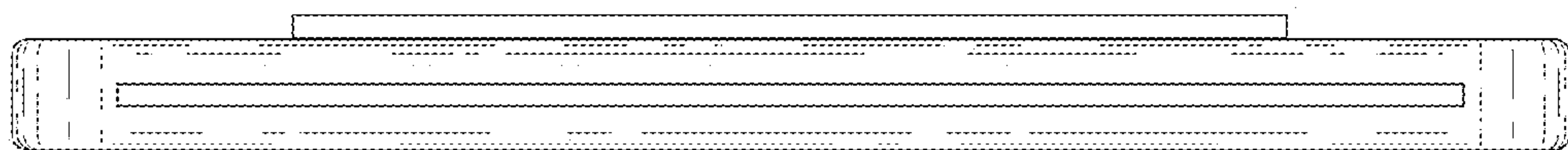


Fig. 7