

US00D763113S

(12) **United States Design Patent**  
**Schröder**

(10) **Patent No.:** **US D763,113 S**  
(45) **Date of Patent:** **\*\* Aug. 9, 2016**

(54) **WATCH DIAL**  
(71) Applicant: **GLASHÜTTER UHRENBETRIEB GMBH**, Glashütte (DE)  
(72) Inventor: **Julia Schröder**, Dresden (DE)  
(73) Assignee: **GLASHÜTTER UHRENBETRIEB GMBH**, Glashütte (DE)  
(\*\*) Term: **15 Years**  
(21) Appl. No.: **29/536,354**  
(22) Filed: **Aug. 17, 2015**

(30) **Foreign Application Priority Data**  
Feb. 17, 2015 (WO) ..... DM/085 628  
(51) **LOC (10) Cl.** ..... **10-07**  
(52) **U.S. Cl.**  
USPC ..... **D10/126**  
(58) **Field of Classification Search**  
USPC ..... D11/44; D10/1-39, 122-132  
CPC ..... G04B 19/10; G04B 19/06; G04B 19/103;  
G04B 19/106; G04B 19/08; G04B 19/12;  
G04B 47/042; G04G 9/087  
See application file for complete search history.

(56) **References Cited**  
U.S. PATENT DOCUMENTS  
D356,742 S \* 3/1995 Chenwu ..... D10/126  
D688,580 S \* 8/2013 Delhotal ..... D10/124  
D701,134 S \* 3/2014 Cerrato ..... D10/126  
D710,730 S \* 8/2014 Delhotal ..... D10/124  
D710,731 S \* 8/2014 Calvani ..... D10/126

D718,648 S \* 12/2014 Calvani ..... D10/126  
D720,638 S \* 1/2015 Rogers ..... D10/125  
D722,901 S \* 2/2015 Cerrato ..... D10/126  
D723,963 S \* 3/2015 Gueit ..... D10/126  
D743,829 S \* 11/2015 Meylan ..... D10/126  
D746,713 S \* 1/2016 Cerrato ..... D10/126  
D747,994 S \* 1/2016 Stegmann ..... D10/125  
D753,007 S \* 4/2016 Muller ..... D10/126  
2011/0032802 A1\* 2/2011 Muller ..... G04B 19/23  
368/22  
2012/0243379 A1\* 9/2012 Balli ..... G04G 21/00  
368/10  
2013/0064045 A1\* 3/2013 Essery ..... H04W 88/02  
368/47  
2014/0064039 A1\* 3/2014 Jones ..... G04G 9/087  
368/14

\* cited by examiner

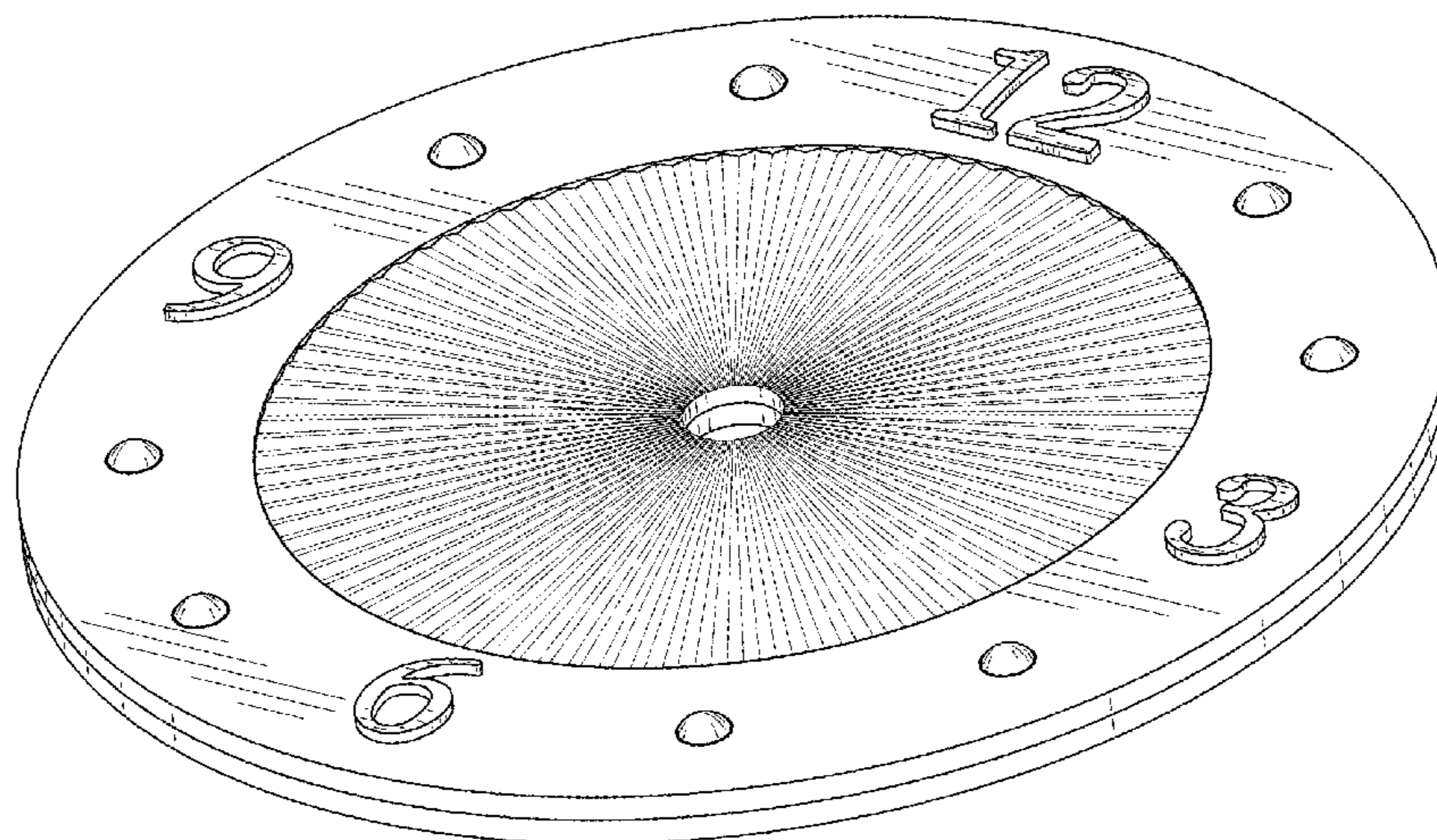
*Primary Examiner* — Rosemary K Tarcza  
*Assistant Examiner* — James Thorn, Sr.  
(74) *Attorney, Agent, or Firm* — Donald J. Ranft; Kristen A. Mogavero; Collen IP

(57) **CLAIM**  
The ornamental design for a watch dial, as shown.

**DESCRIPTION**

FIG. 1 is a front right perspective view of a watch dial showing my new design;  
FIG. 2 is a rear left perspective view thereof;  
FIG. 3 is a front view thereof;  
FIG. 4 is a rear view thereof;  
FIG. 5 is a left side view thereof;  
FIG. 6 is a right side view thereof;  
FIG. 7 is a top view thereof; and,  
FIG. 8 is a bottom view thereof.

**1 Claim, 5 Drawing Sheets**



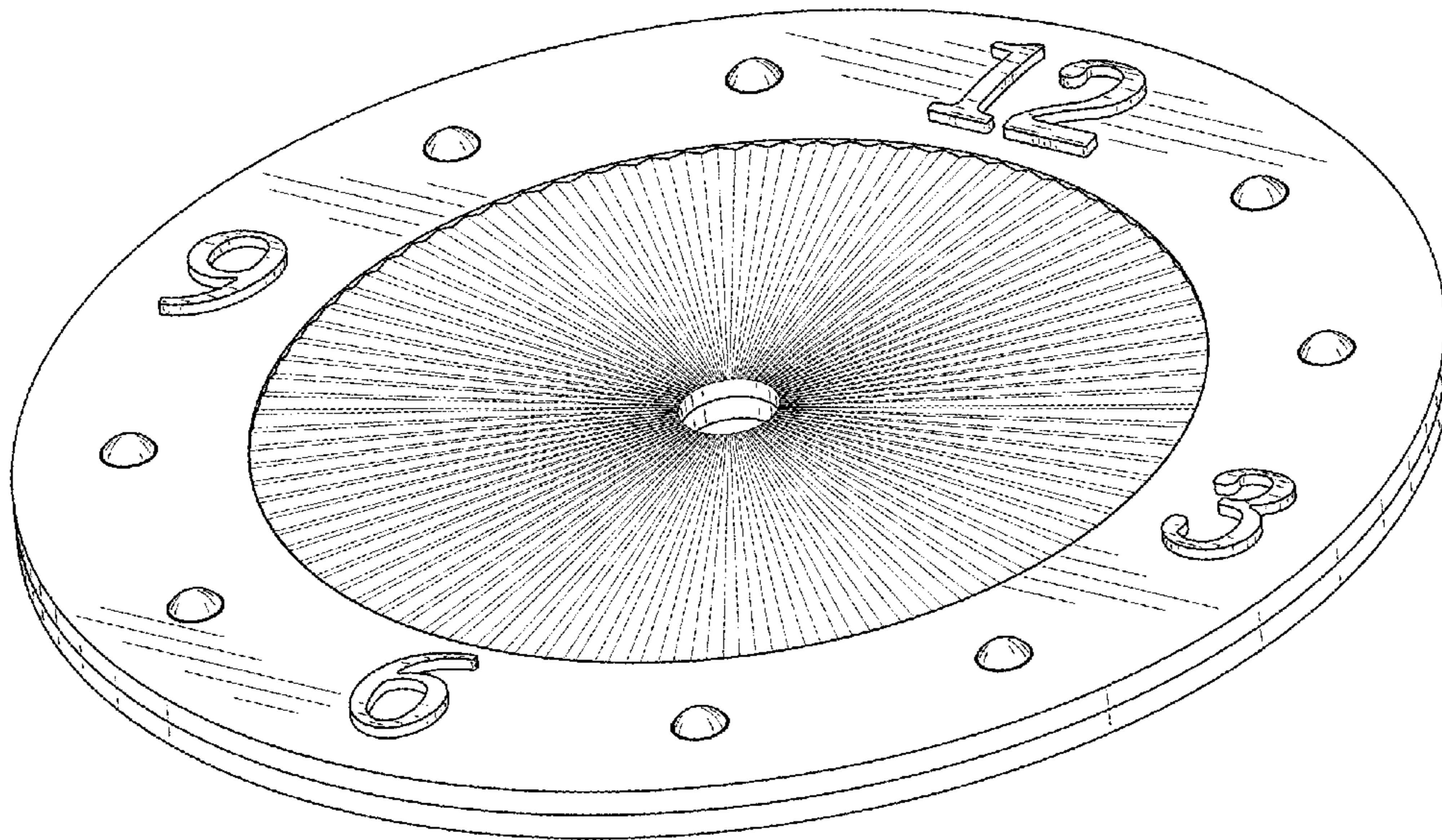


FIG. 1

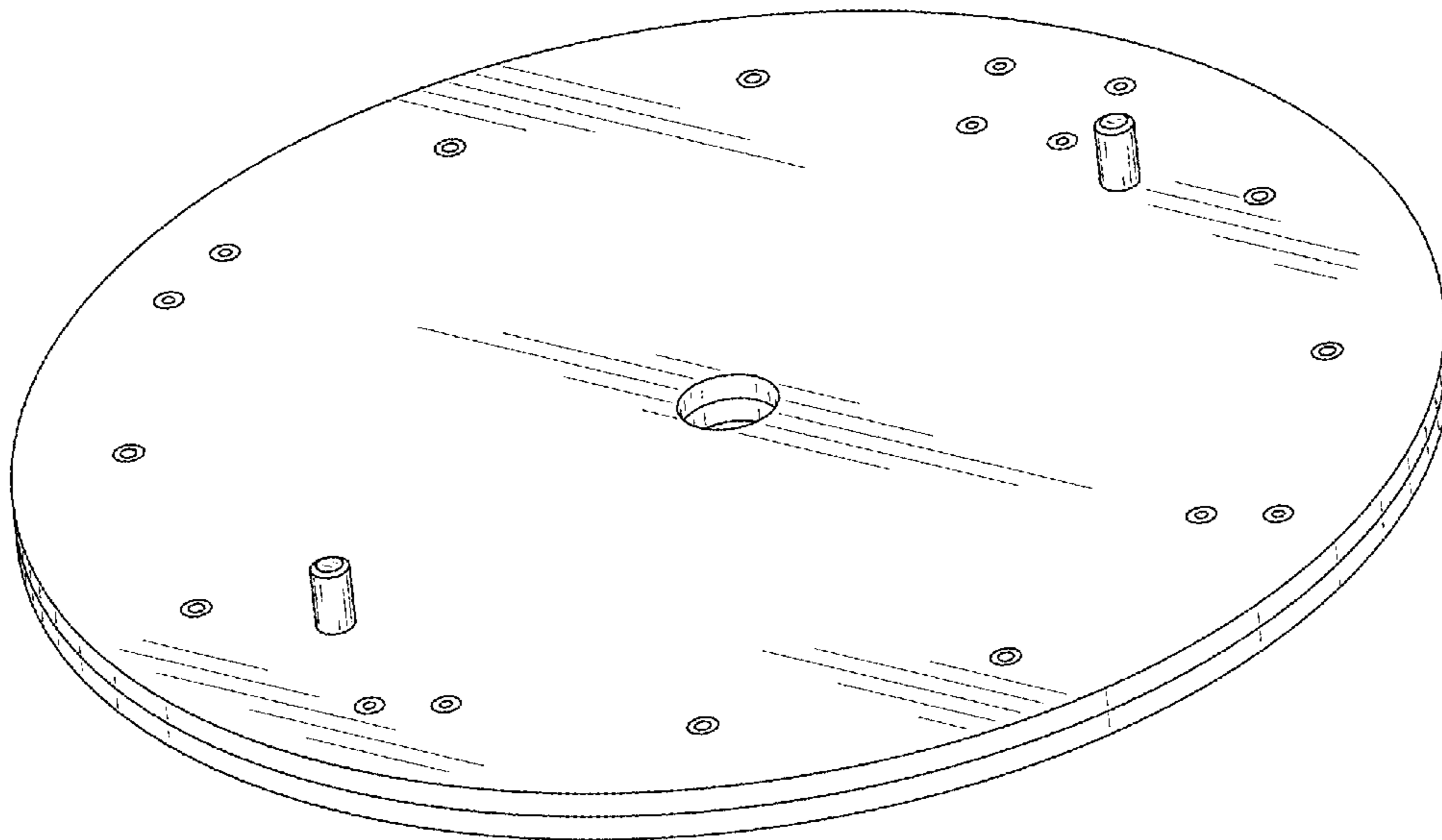


FIG. 2



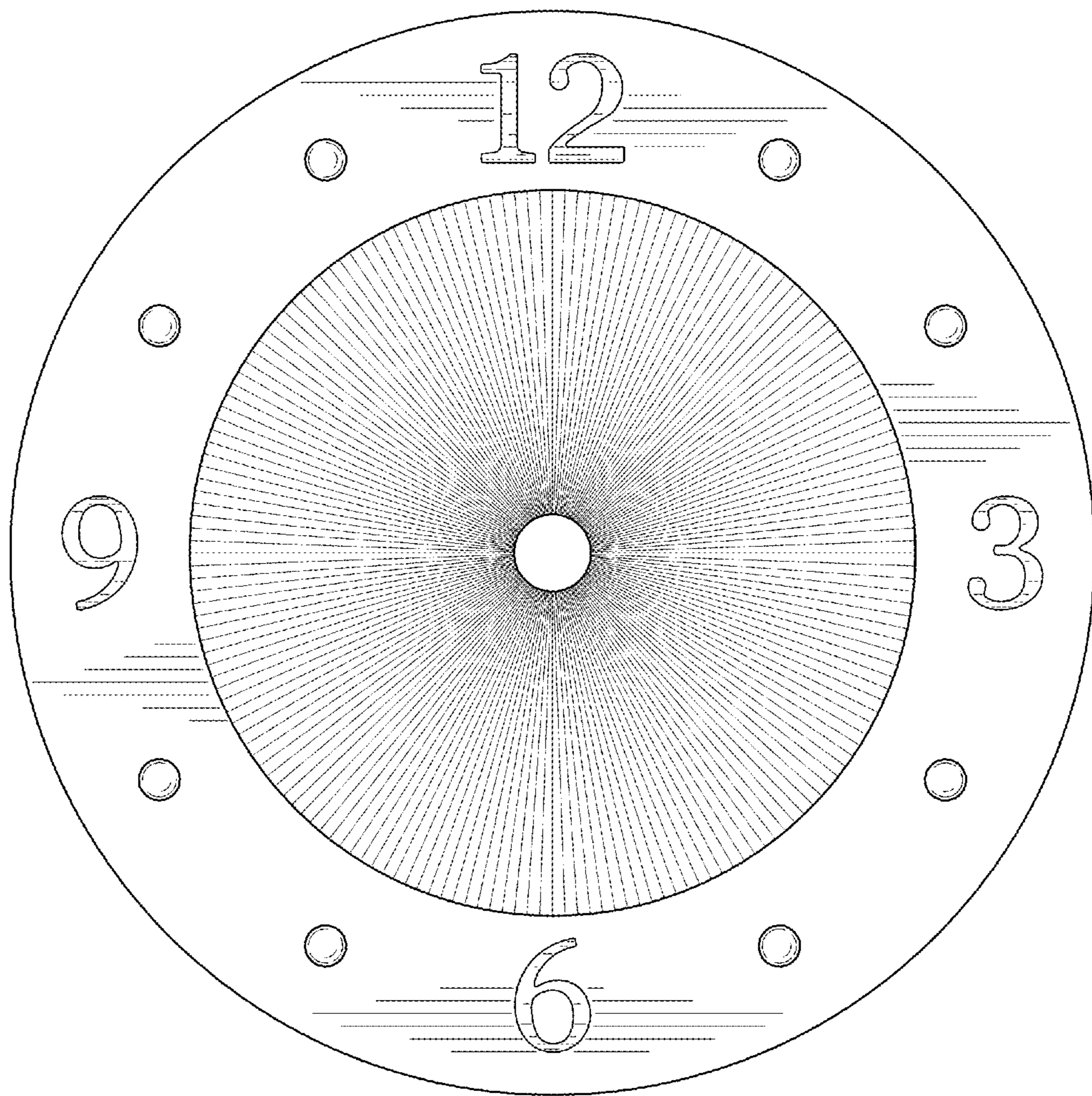


FIG. 3

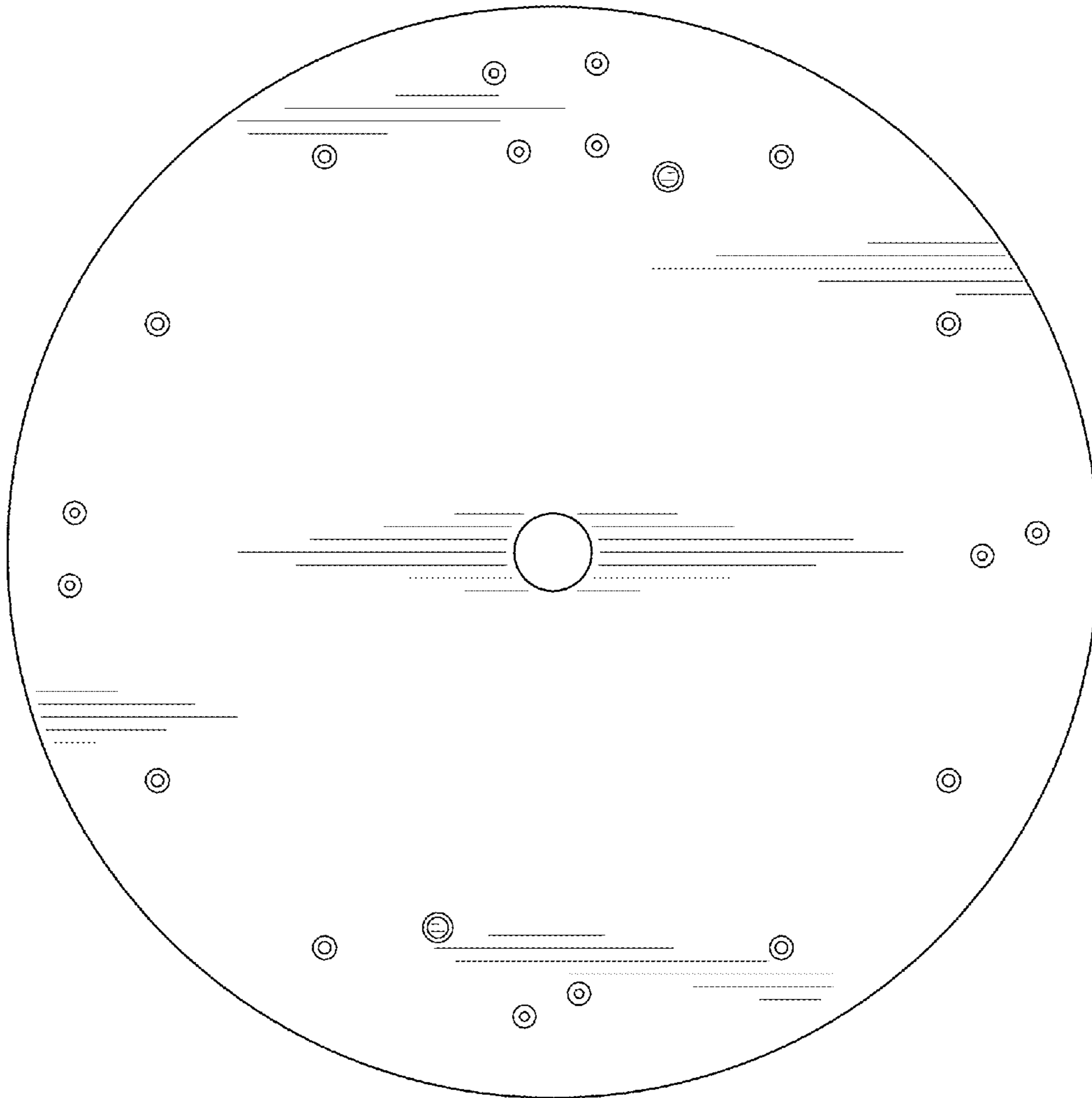


FIG. 4

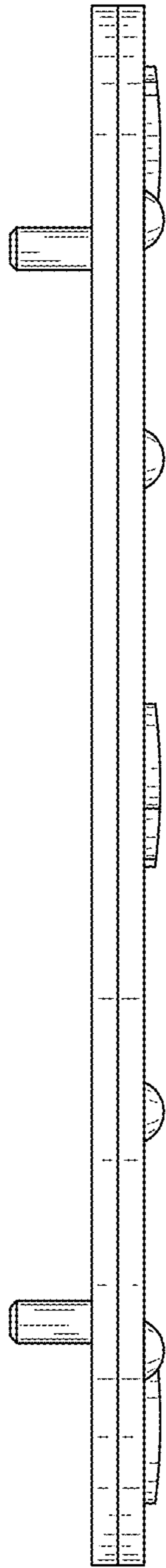


FIG. 5

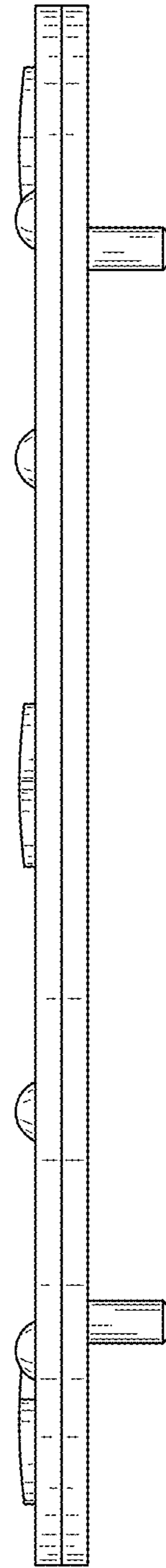


FIG. 6

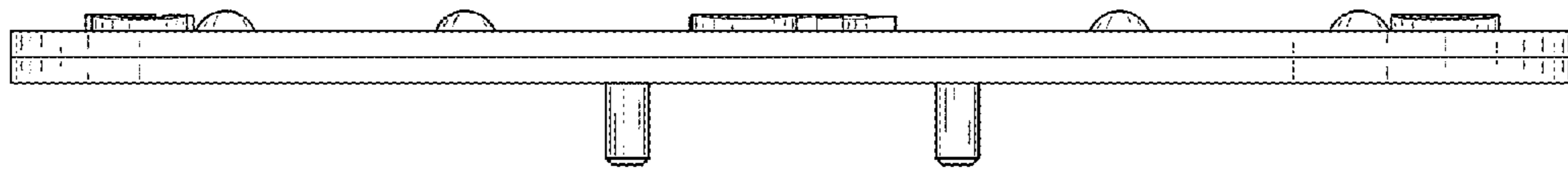


FIG. 7

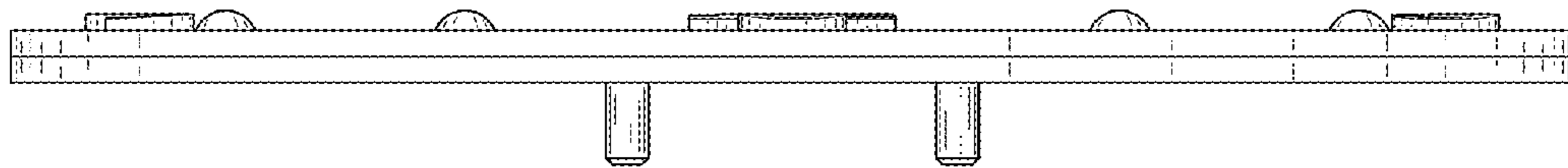


FIG. 8