



US00D763110S

(12) **United States Design Patent**  
**Derman**

(10) **Patent No.:** **US D763,110 S**  
(45) **Date of Patent:** **\*\* Aug. 9, 2016**

(54) **HANDHELD LASER INDUCED BREAKDOWN SPECTROSCOPY ANALYZER NOSE PLATE**

FOREIGN PATENT DOCUMENTS

WO WO 2015/057784 4/2015

(71) Applicant: **SciAps, Inc.**, Woburn, MA (US)

OTHER PUBLICATIONS

(72) Inventor: **Konstantin Derman**, Winchester, MA (US)

B&W Tek, Inc., "LIBS Solution", 2015, <http://bwtek.com/products/lib/>, (two (2)) pages.  
U.S. Appl. No. 29/527,112, SciAps, Inc.

(73) Assignee: **SciAps, Inc.**, Woburn, MA (US)

\* cited by examiner

(\*\*) Term: **15 Years**

*Primary Examiner* — Antoine D Davis

(21) Appl. No.: **29/527,093**

(74) *Attorney, Agent, or Firm* — Iandiorio Teska & Coleman, LLP

(22) Filed: **May 15, 2015**

(57) **CLAIM**

(51) **LOC (10) Cl.** ..... **10-04**

The ornamental design for a handheld laser induced breakdown spectroscopy analyzer nose plate, as shown and described.

(52) **U.S. Cl.**

**DESCRIPTION**

USPC ..... **D10/103**; D10/78; D10/81

(58) **Field of Classification Search**

USPC ..... D10/78, 81, 103; D24/216–234

CPC ..... G01J 3/0272; G01J 3/0256; G01J 3/0291;

G01N 2201/0221; G01N 2201/0222

See application file for complete search history.

FIG. 1 is a front perspective view of the handheld laser induced breakdown spectroscopy analyzer nose plate of this invention;

FIG. 2 is a left side view of the handheld laser induced breakdown spectroscopy analyzer nose plate of this invention;

FIG. 3 is a right side view of the handheld laser induced breakdown spectroscopy analyzer nose plate of this invention;

FIG. 4 is front view of the handheld laser induced breakdown spectroscopy analyzer nose plate of this invention;

FIG. 5 is a rear view of the handheld laser induced breakdown spectroscopy analyzer;

FIG. 6 is top view of the handheld laser induced breakdown spectroscopy analyzer nose plate of this invention; and,

FIG. 7 is a bottom view of the handheld laser induced breakdown spectroscopy analyzer nose plate of this invention.

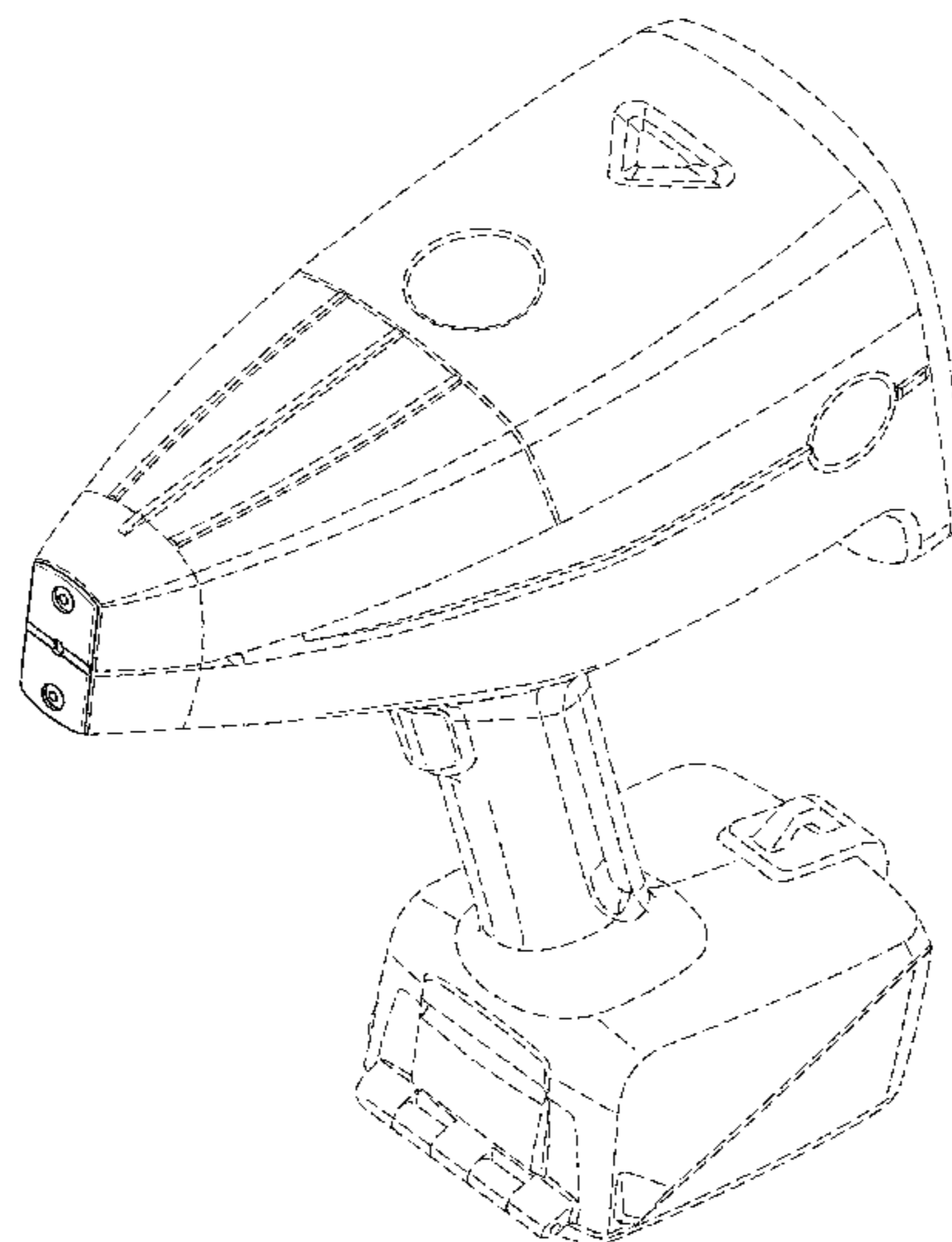
The dashed lines are illustration purposes and form no part of the claimed handheld laser induced breakdown spectroscopy analyzer nose plate design.

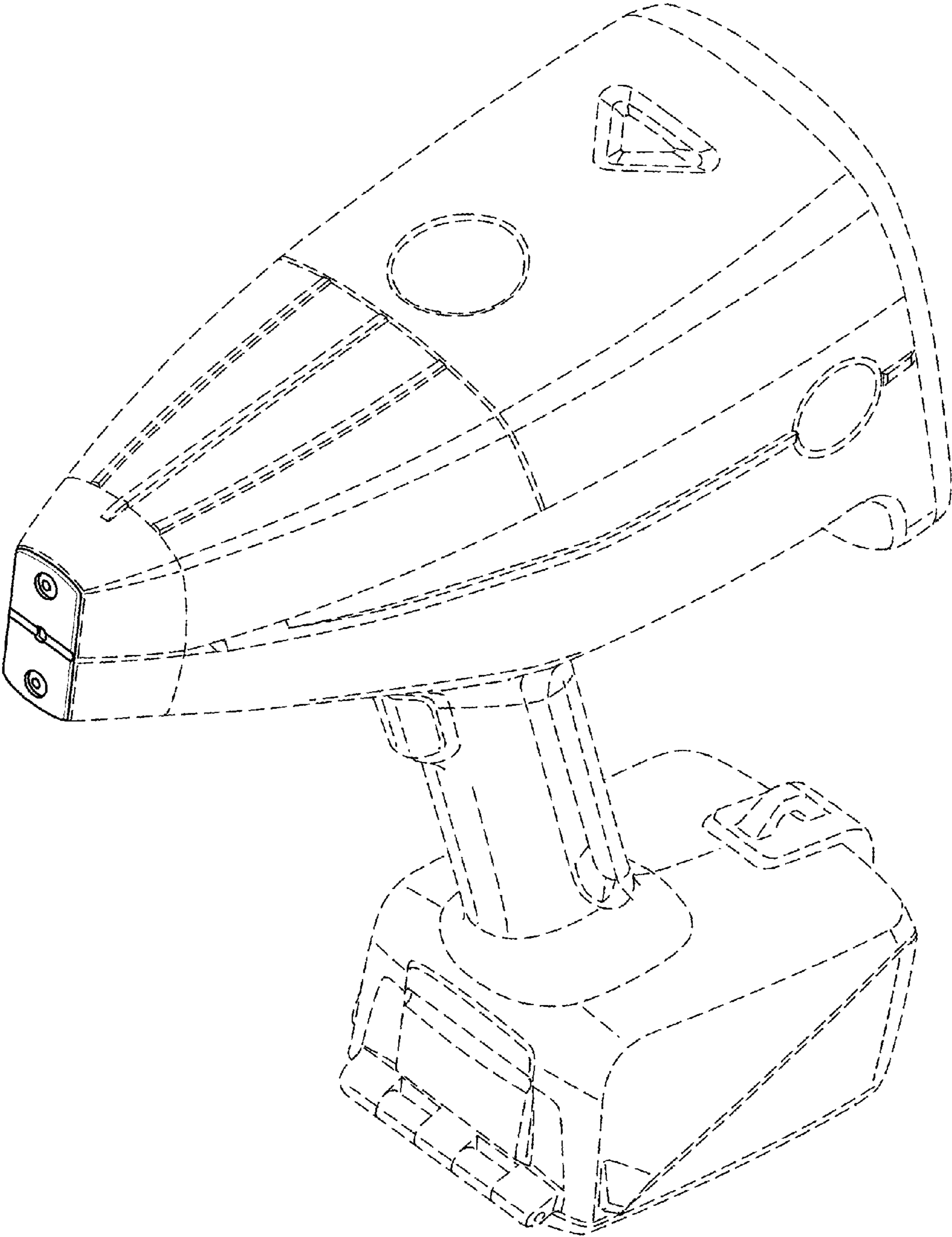
(56) **References Cited**

U.S. PATENT DOCUMENTS

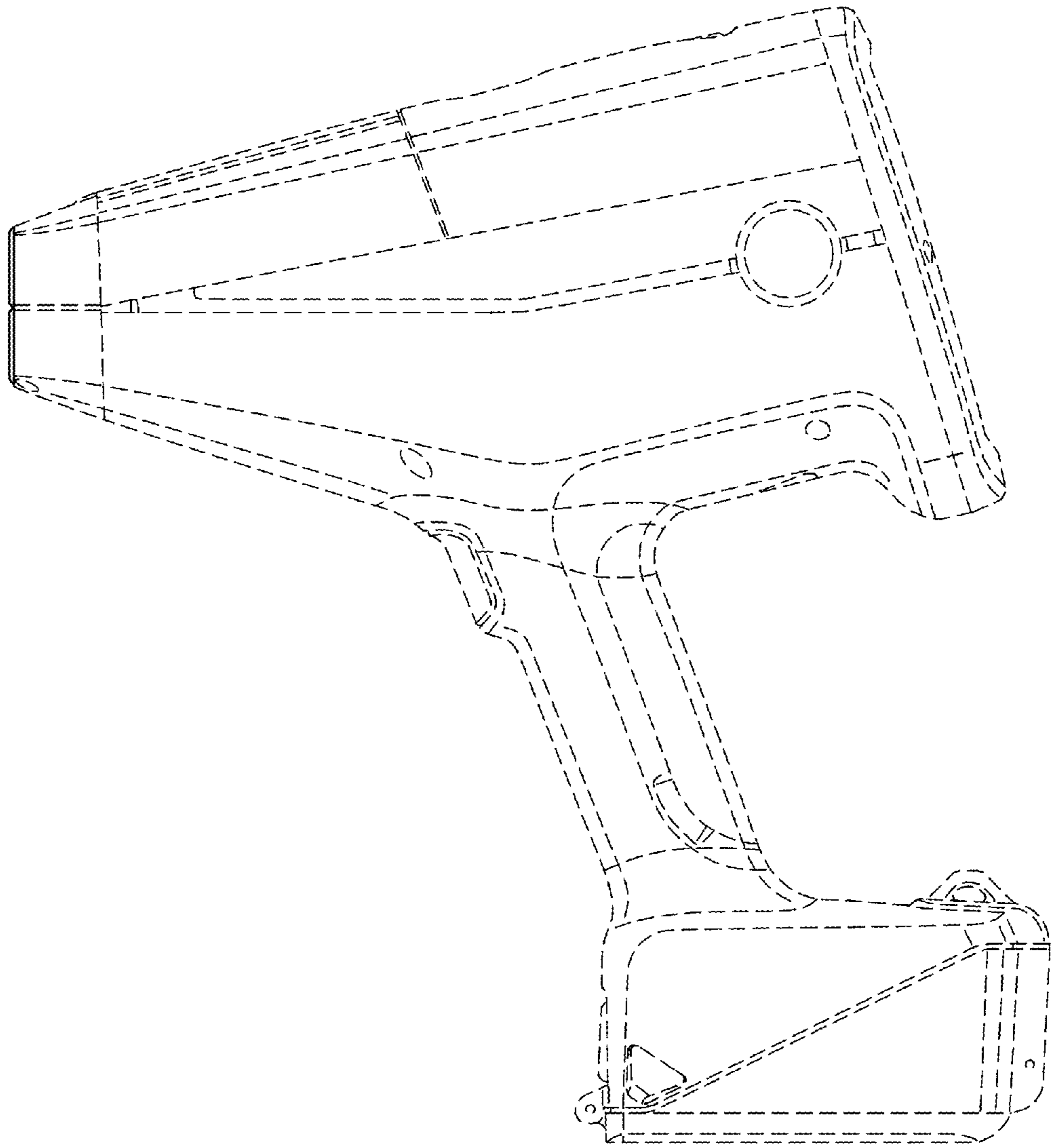
5,783,811	A *	7/1998	Feng	.....	G01J 3/51
					235/462.42
5,818,028	A *	10/1998	Meyerson	.....	G01J 3/51
					235/462.01
7,236,243	B2 *	6/2007	Beecroft	.....	G01J 3/02
					356/328
D668,566	S *	10/2012	Dunkin	.....	D10/104.1
8,355,126	B2 *	1/2013	Goulter	.....	G01J 3/02
					356/313
D731,909	S *	6/2015	Weakly	.....	D10/81
9,273,998	B2 *	3/2016	Myers	.....	G01N 21/718
2008/0179541	A1 *	7/2008	LeBoeuf	.....	G01N 21/6486
					250/459.1
2012/0044488	A1 *	2/2012	Senac	.....	G01J 3/02
					356/316

**1 Claim, 5 Drawing Sheets**

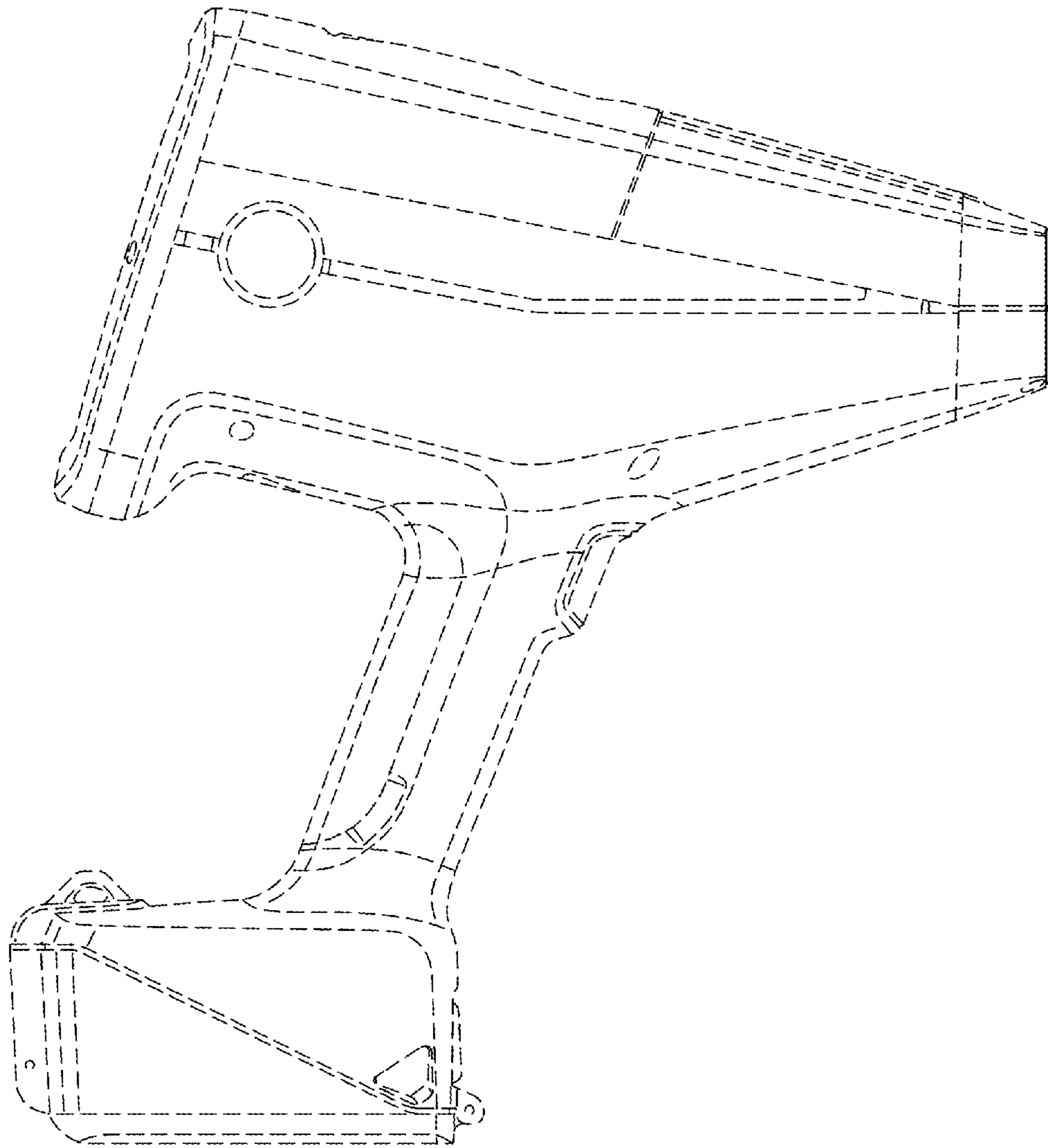




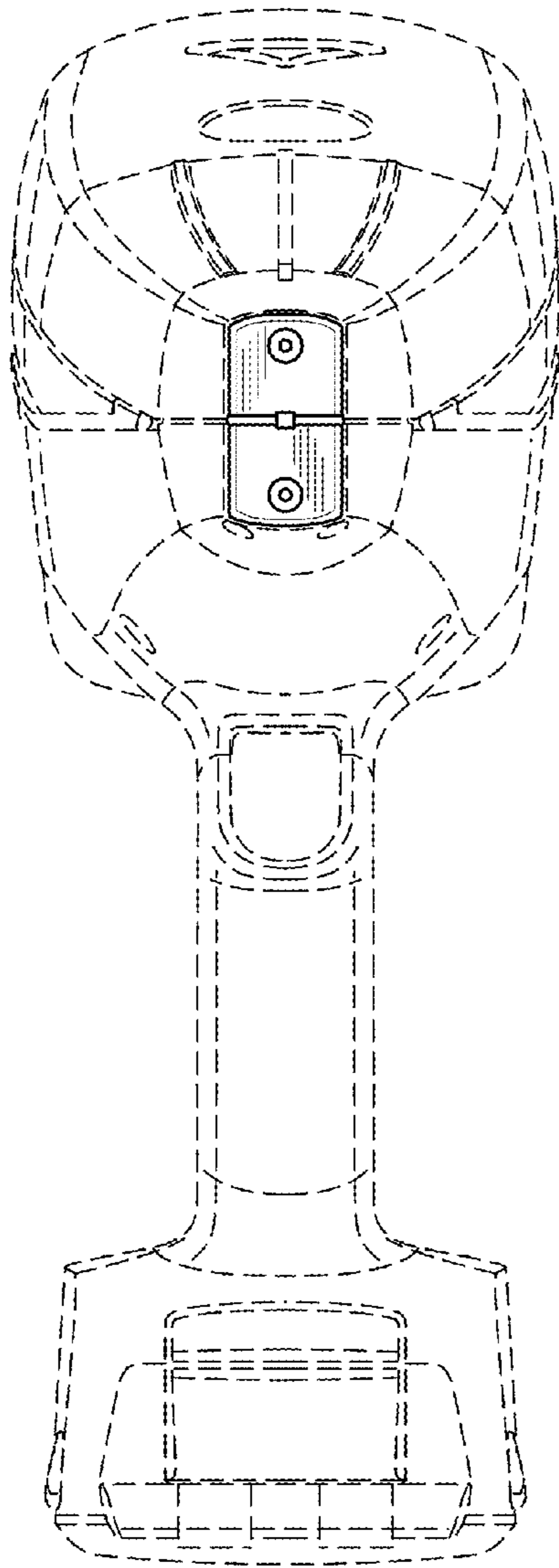
**FIG. 1**



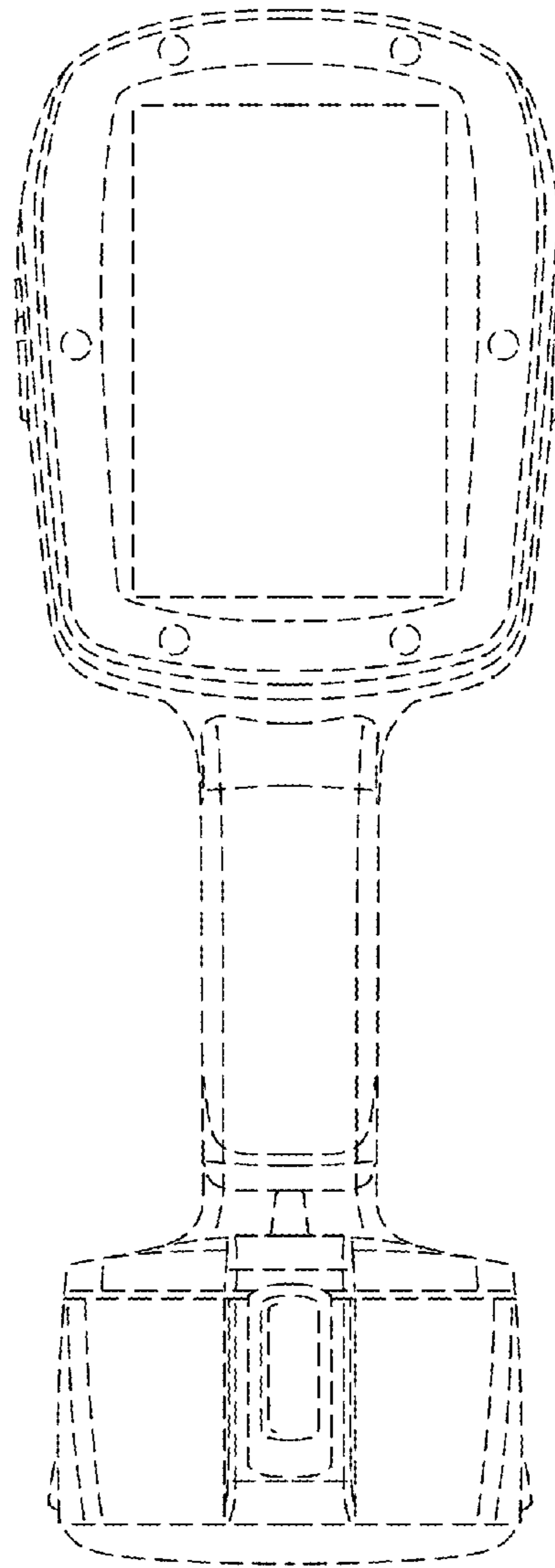
**FIG. 2**



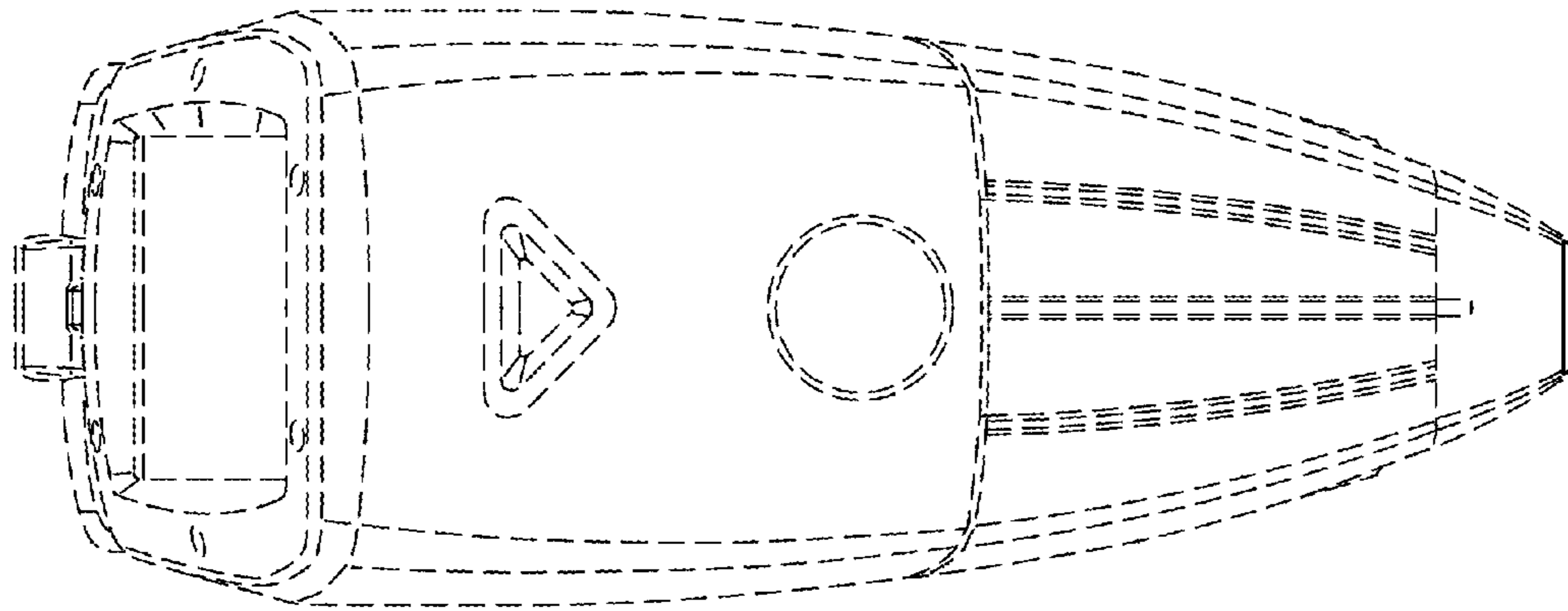
**FIG. 3**



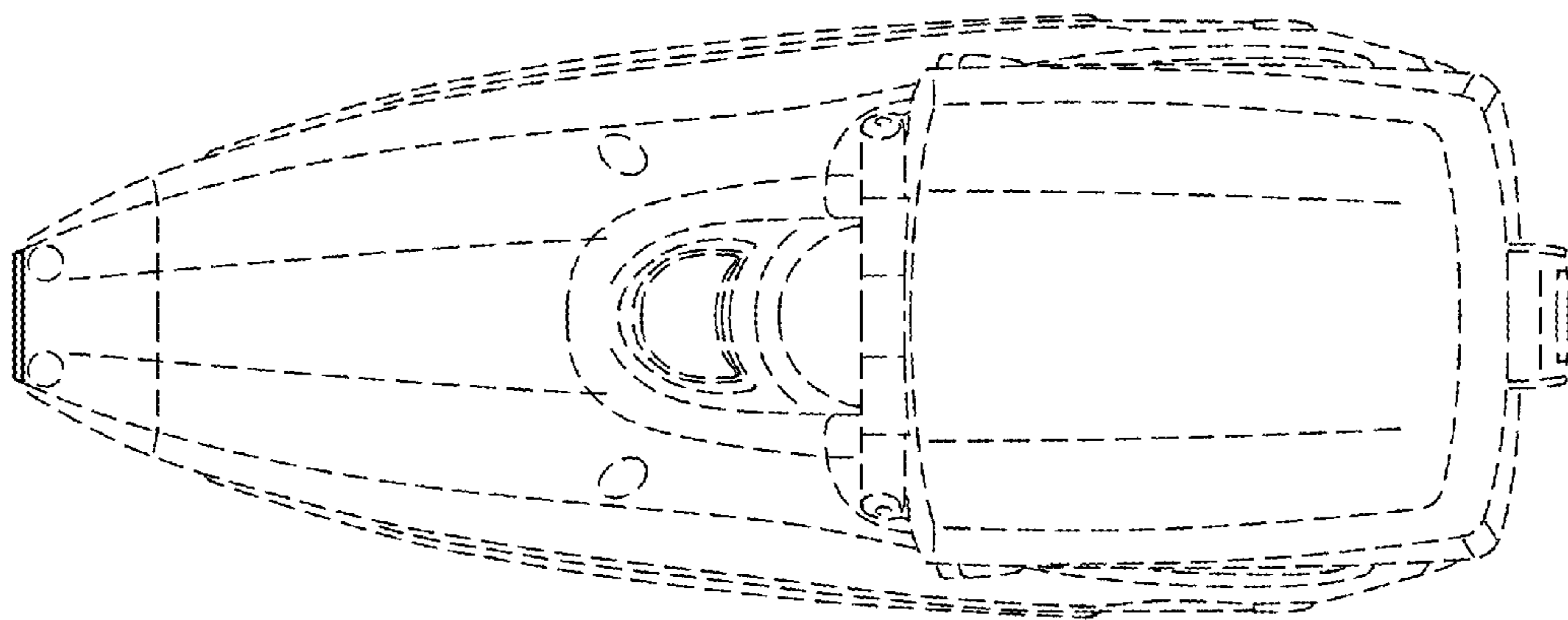
**FIG. 4**



**FIG. 5**



**FIG. 6**



**FIG. 7**