

US00D763107S

(12) **United States Design Patent**
Nielsen et al.

(10) **Patent No.:** **US D763,107 S**
(45) **Date of Patent:** **** Aug. 9, 2016**

- (54) **FITNESS MONITORING CAPSULE FOR WRISTBAND**
- (71) Applicant: **Fitbit, Inc.**, San Francisco, CA (US)
- (72) Inventors: **Jens Mitchell Nielsen**, San Francisco, CA (US); **Mark Manuel Martinez**, San Francisco, CA (US); **Keeline Burdick Wilcox**, San Francisco, CA (US); **Gad Amit**, San Mateo, CA (US); **Daniel J. Clifton**, San Francisco, CA (US); **Erik Keith Askin**, San Francisco, CA (US)

- (73) Assignee: **Fitbit, Inc.**, San Francisco, CA (US)
- (**) Term: **15 Years**
- (21) Appl. No.: **29/541,358**
- (22) Filed: **Oct. 2, 2015**

Related U.S. Application Data

- (63) Continuation of application No. 29/537,616, filed on Aug. 27, 2015.
- (51) **LOC (10) Cl.** **10-04**
- (52) **U.S. Cl.**
USPC **D10/70**; D10/30; D10/65; D10/78; D10/98; D14/344; D24/167
- (58) **Field of Classification Search**
USPC D10/30-39, 65, 70, 78, 97, 98; D11/3; D14/138 R, 203.5, 203.6, 341, 344, D14/347; D24/167, 168
CPC A44C 5/00-5/16; G04B 37/00-37/228; G04B 45/0069; G04B 47/04; G04B 19/00-19/34; G04B 21/12; G04B 23/12; G04B 47/00-47/068; G01C 17/00; G01C 21/00-21/3697
See application file for complete search history.

(56) **References Cited**

U.S. PATENT DOCUMENTS

8,568,313 B2 * 10/2013 Sadhu A61B 5/0006
340/539.12

D715,167 S * 10/2014 Busse D10/65
 D715,666 S 10/2014 Park et al.
 D720,249 S 12/2014 Park et al.
 D720,635 S 1/2015 Park et al.
 8,942,070 B1 * 1/2015 Shah G04G 9/0082
 368/223
 D727,183 S 4/2015 Park et al.
 D727,759 S 4/2015 Martinez et al.
 D729,237 S * 5/2015 Fagnot D14/344
 D740,693 S * 10/2015 Carmichael D10/32
 D741,726 S * 10/2015 Akana D10/30
 D745,009 S * 12/2015 Jensen D14/415

OTHER PUBLICATIONS

U.S. Appl. No. 29/497,740, filed Jul. 28, 2014, Park et al.
 U.S. Appl. No. 29/500,837, filed Aug. 28, 2014, Martinez et al.
 U.S. Appl. No. 29/520,607, filed Mar. 16, 2015, Ling et al.
 U.S. Appl. No. 29/521,264, filed Mar. 20, 2015, Ling et al.
 U.S. Appl. No. 29/524,019, filed Apr. 15, 2015, Ling et al.
 U.S. Appl. No. 29/524,025, filed Apr. 15, 2015, Ling et al.
 U.S. Appl. No. 29/524,027, filed Apr. 15, 2015, Ling et al.
 U.S. Appl. No. 29/524,028, filed Apr. 15, 2015, Ling et al.

* cited by examiner

Primary Examiner — Antoine D Davis

(74) *Attorney, Agent, or Firm* — Weaver Austin Villeneuve & Sampson LLP

(57) **CLAIM**

We claim the ornamental design for a fitness monitoring capsule for a wristband, as shown and described.

DESCRIPTION

FIG. 1 is top view of a fitness monitoring capsule that is removable from a wristband; section planes are indicated for FIGS. 9 and 10.
 FIG. 2 is a bottom view of the fitness monitoring capsule of FIG. 1.
 FIG. 3 is a left side view of the fitness monitoring capsule of FIG. 1.
 FIG. 4 is a right side view of the fitness monitoring capsule of FIG. 1.
 FIG. 5 is a rear view of the fitness monitoring capsule of FIG. 1.

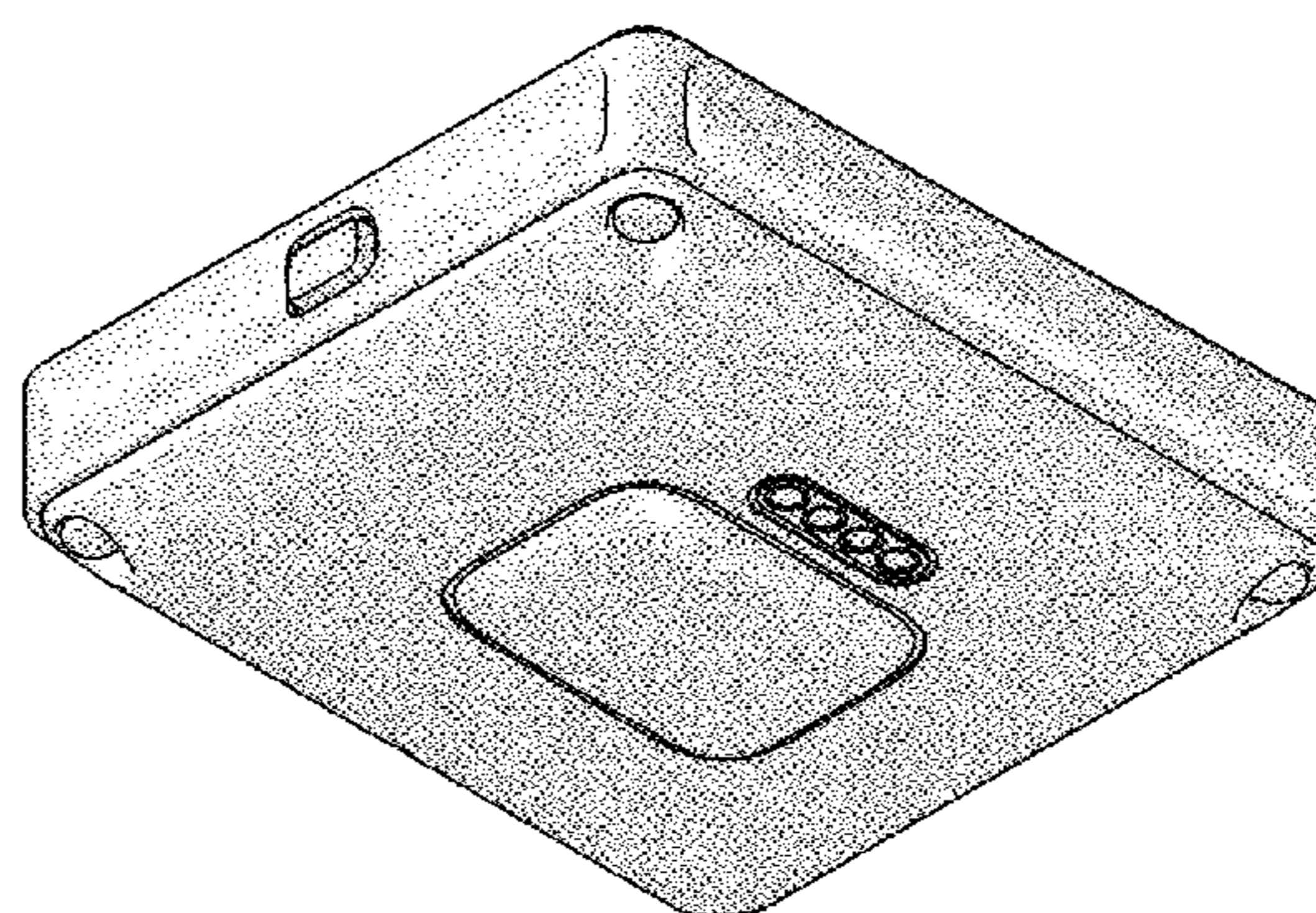
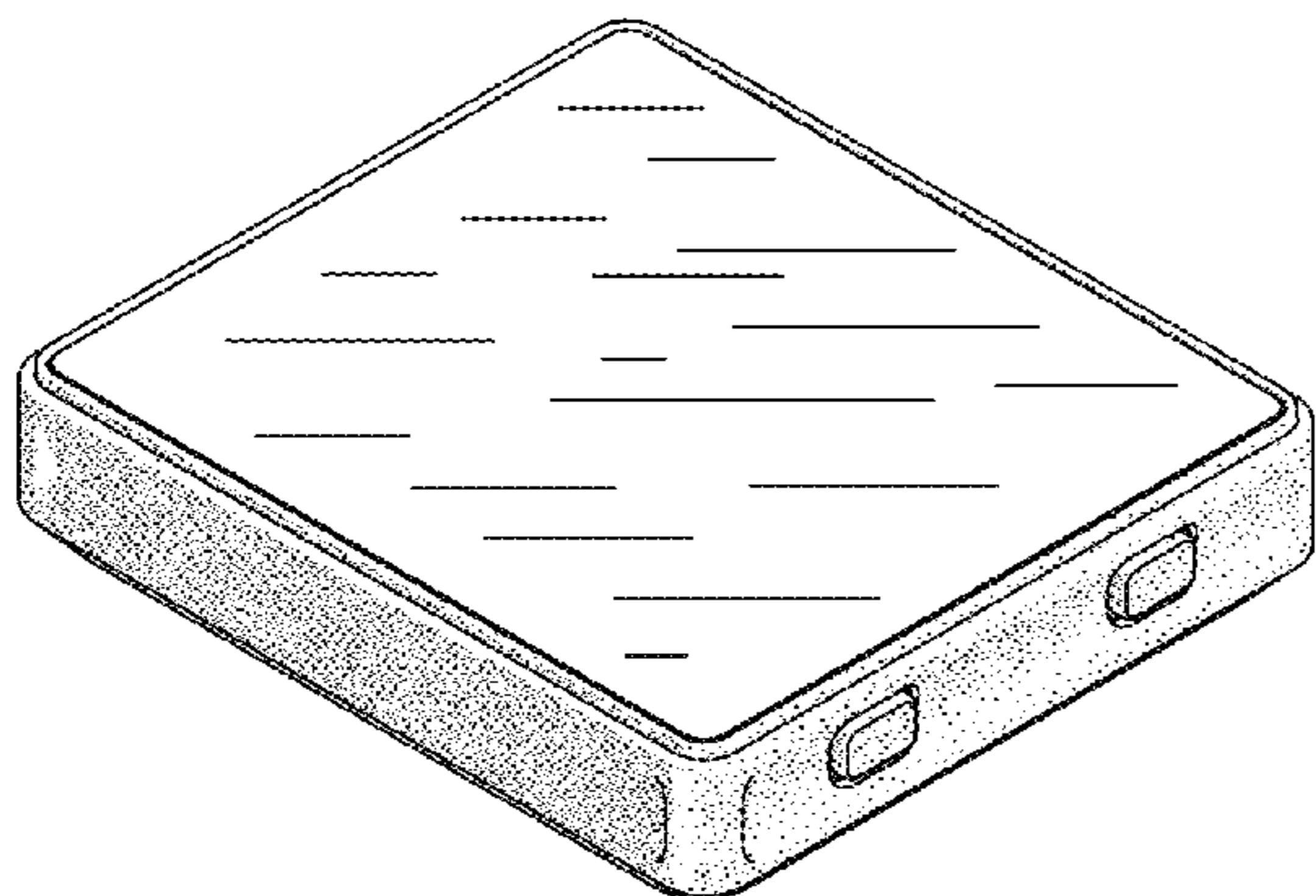


FIG. 6 is a front view of the fitness monitoring capsule of FIG. 1; a section plane is indicated for FIG. 11.

FIG. 7 is an isometric view of the fitness monitoring capsule of FIG. 1.

FIG. 8 is an isometric bottom view of the fitness monitoring capsule of FIG. 1.

FIG. 9 is a section view of the fitness monitoring capsule of FIG. 1 taken through the horizontal section plane shown in FIG. 1.

FIG. 10 is a section view of the fitness monitoring capsule of FIG. 1 taken through the vertical section plane shown in FIG. 1; and,

FIG. 11 is a section view of the fitness monitoring capsule of FIG. 1 taken through the section plane shown in FIG. 6.

FIGS. 1 through 11 are drawn to-scale within each Figure, although the scale from Figure to Figure may vary. In particular, the section views shown herein are drawn to a larger scale than the Figures from which they are derived.

Stipple shading is used in the accompanying Figures to convey surface contouring, not texture. The fitness monitoring capsule may additionally have a transparent or translucent (although perhaps smoked or tinted) window that allows a display within the fitness monitoring capsule to be seen by the wearer. This window is not stipple shaded in the accompanying Figures, but is rendered with diagonal line hatching.

Dash-dot-dash lines are used to indicate section planes in FIGS. 1 and 6.

1 Claim, 2 Drawing Sheets

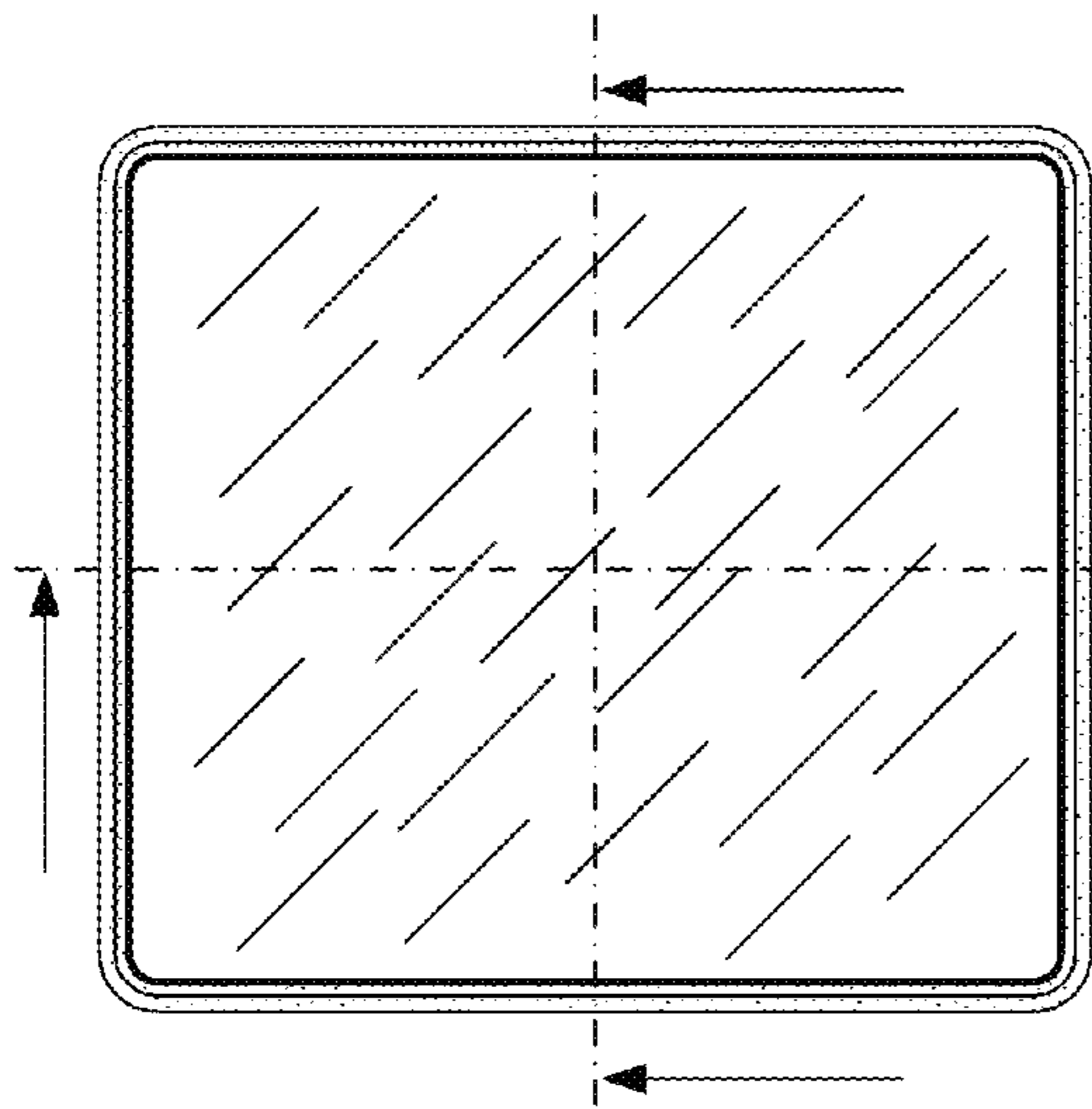


Figure 1

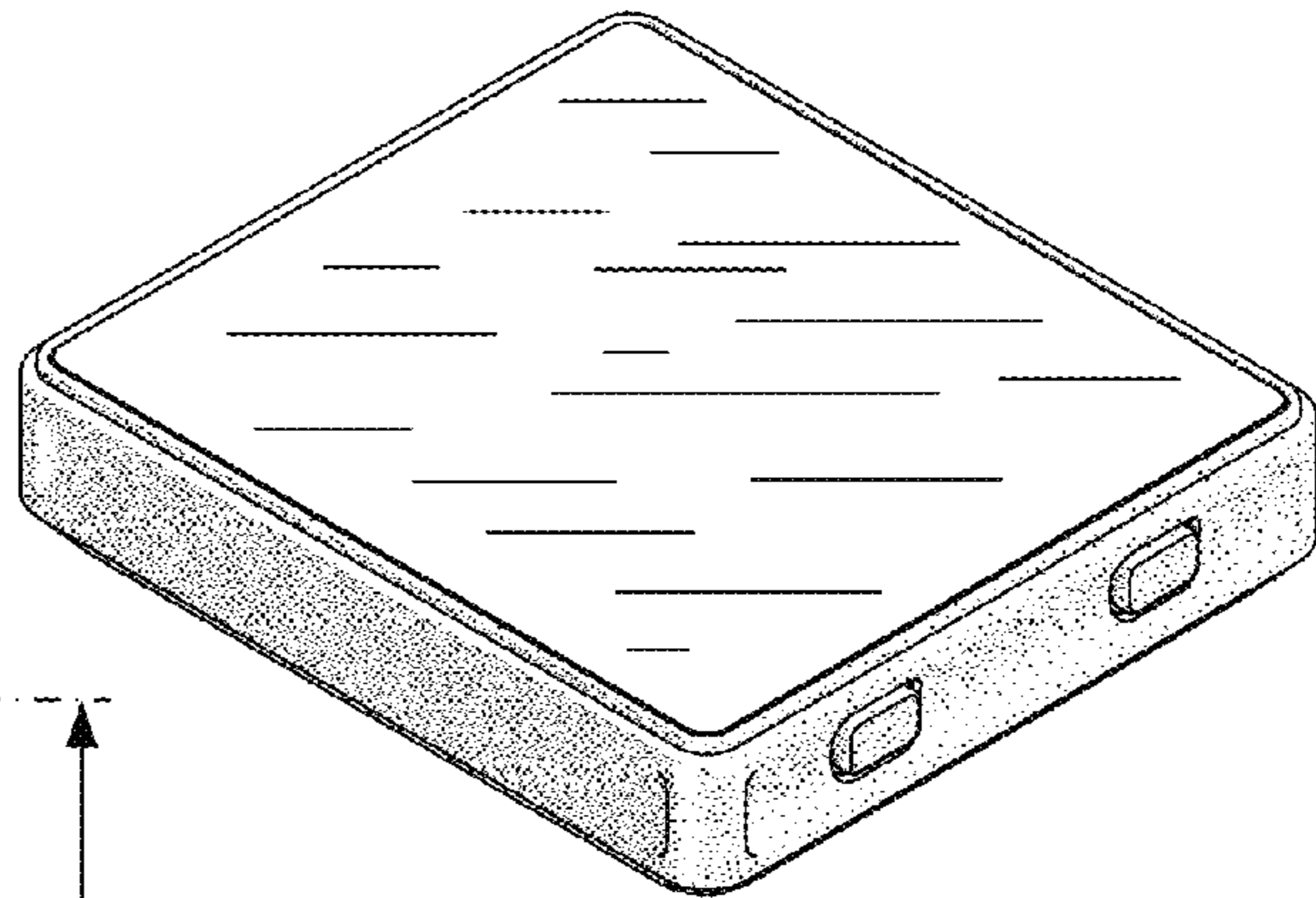


Figure 7

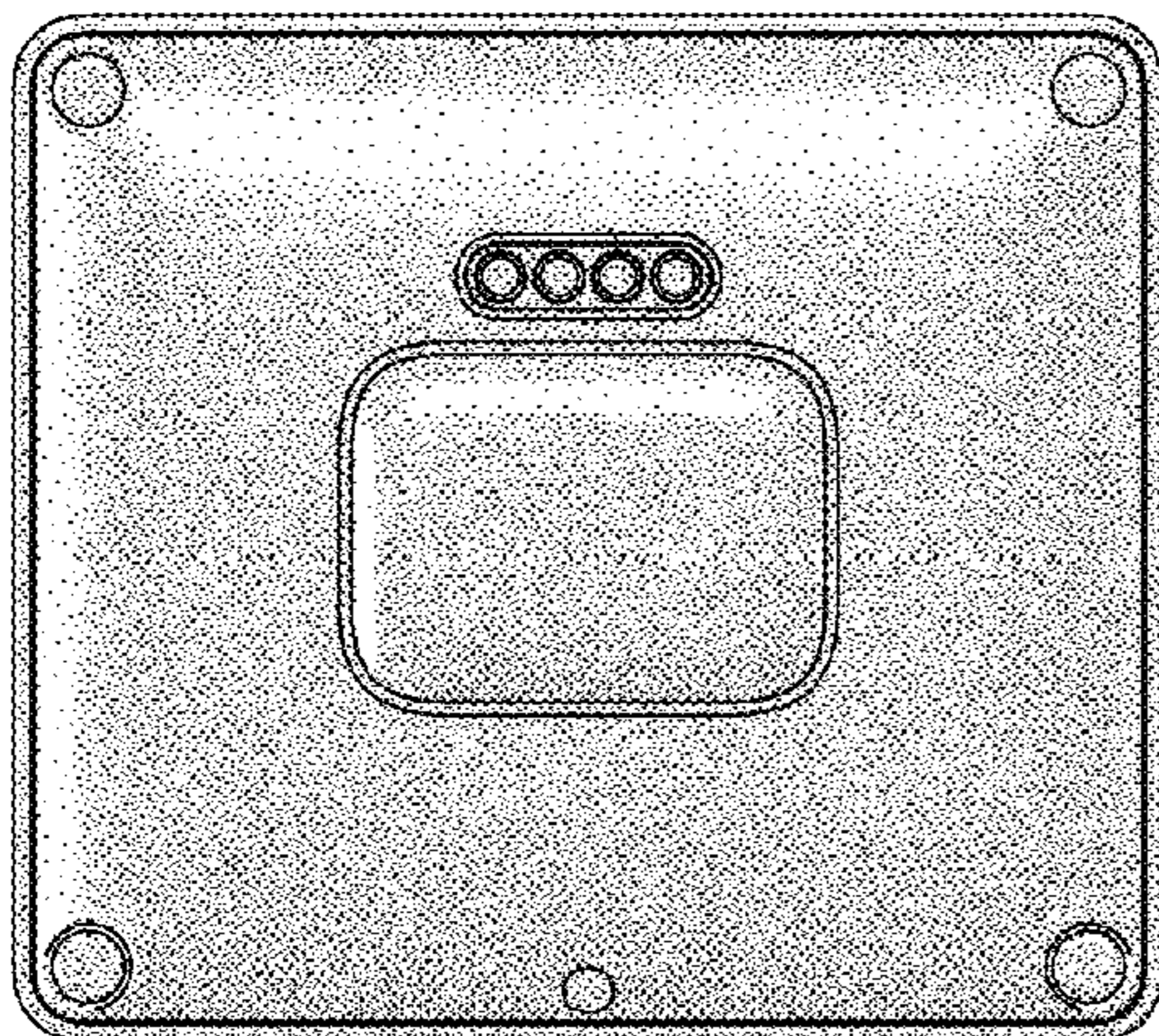


Figure 2

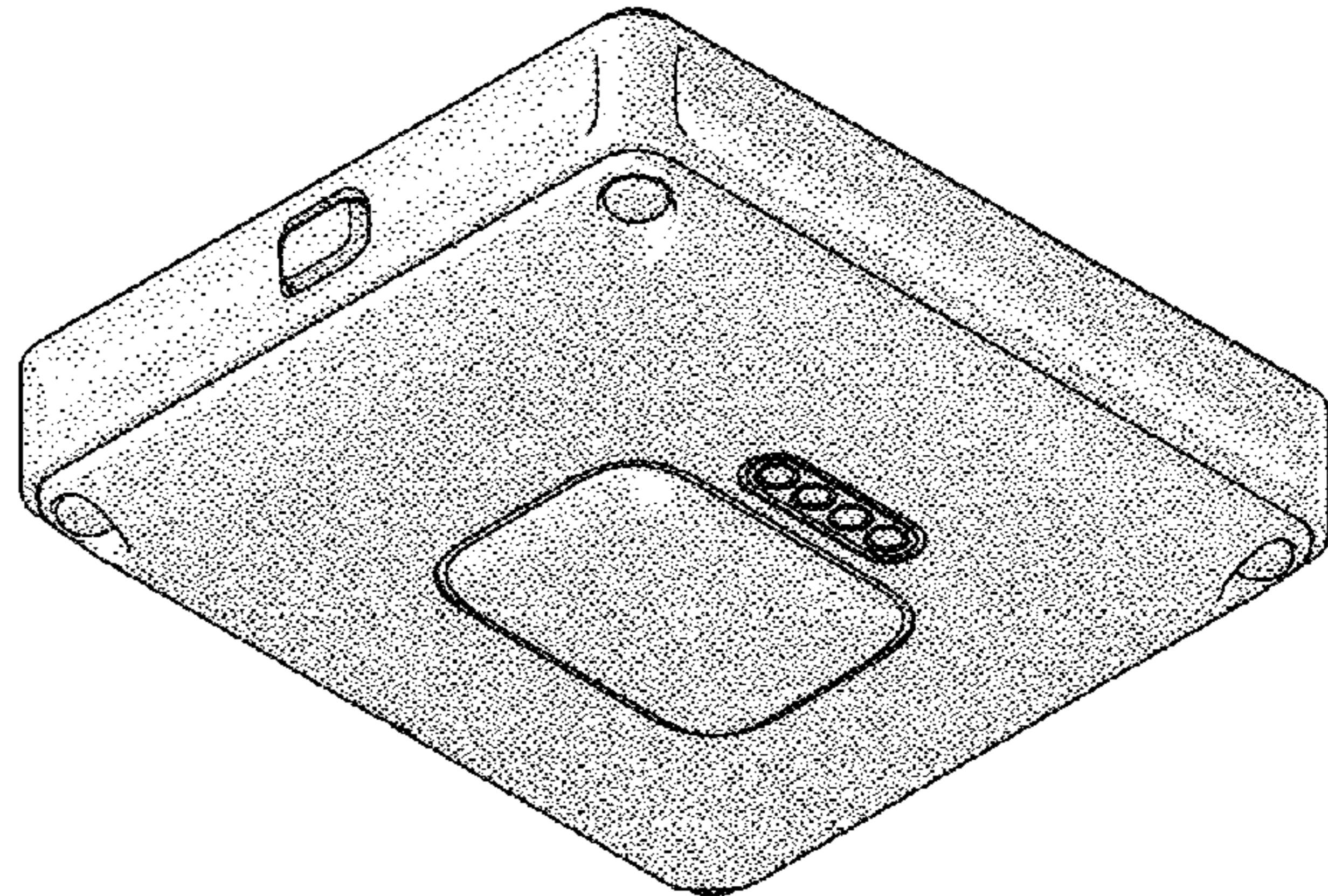


Figure 8

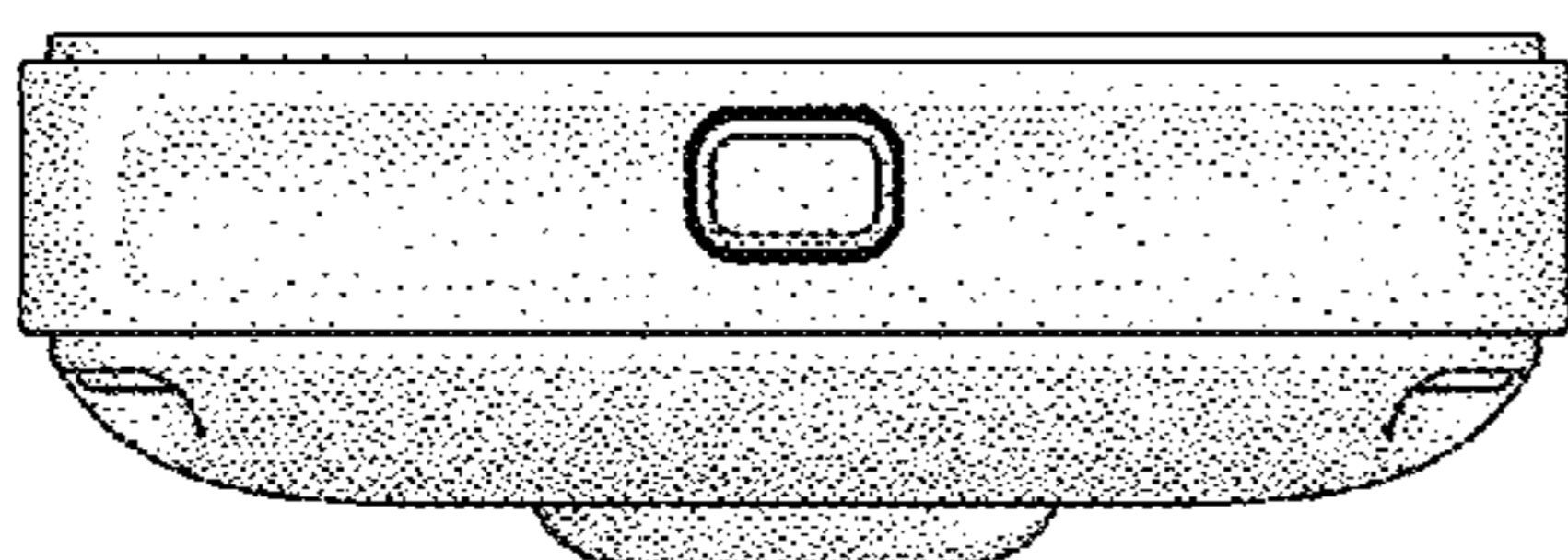


Figure 3

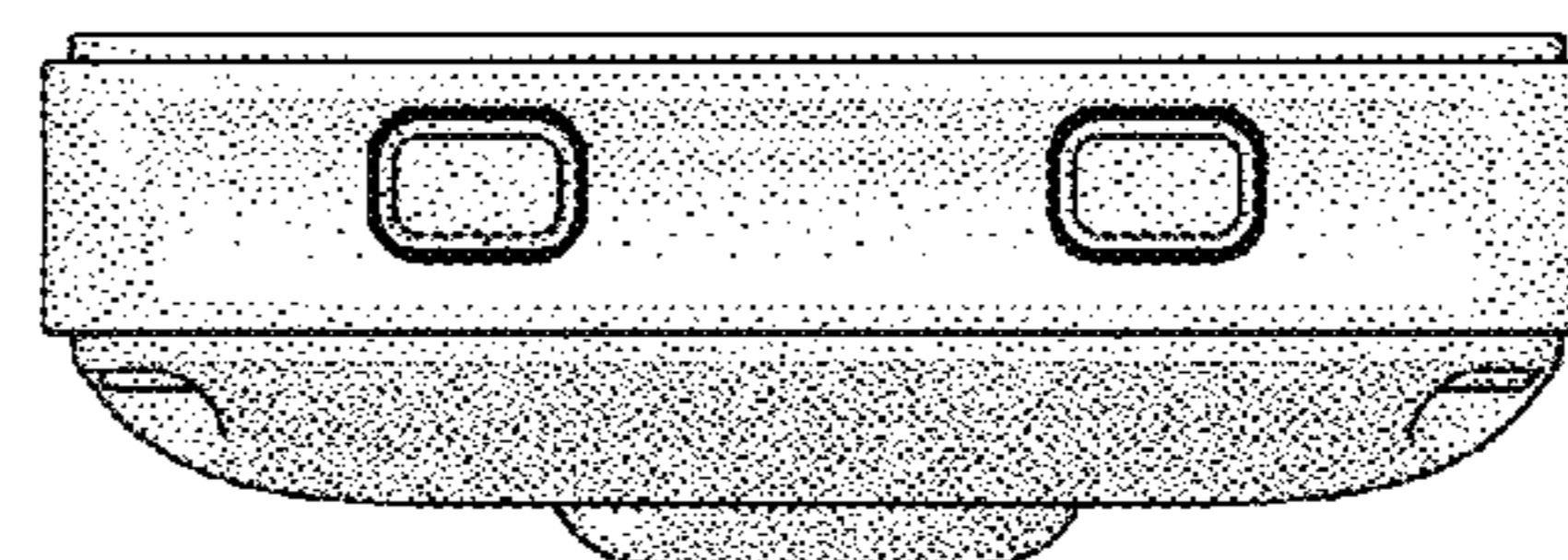


Figure 4

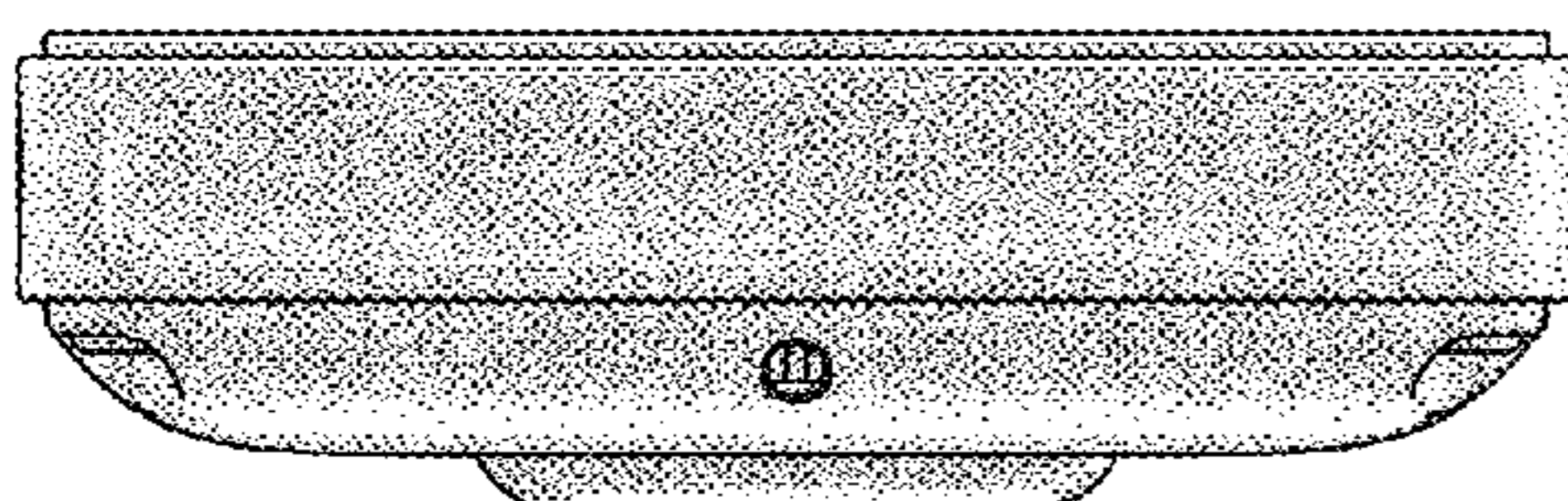


Figure 5

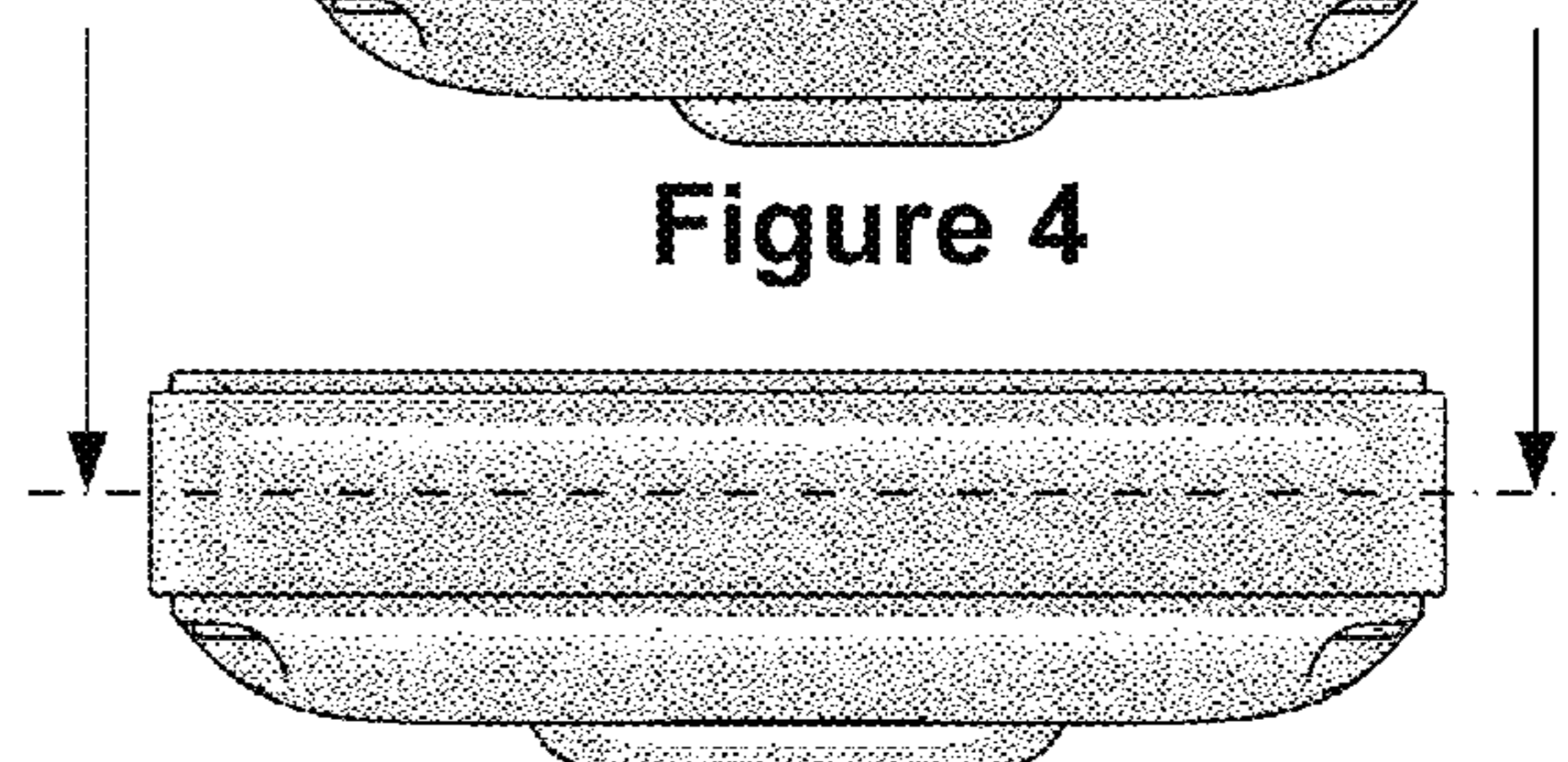


Figure 6

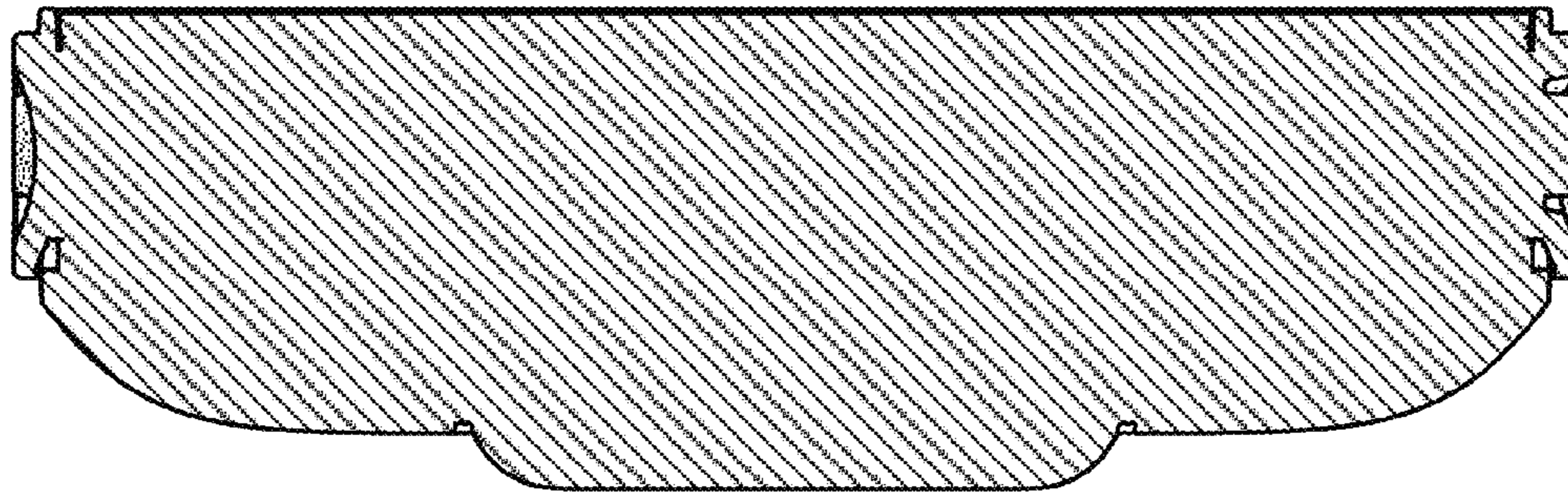


Figure 9

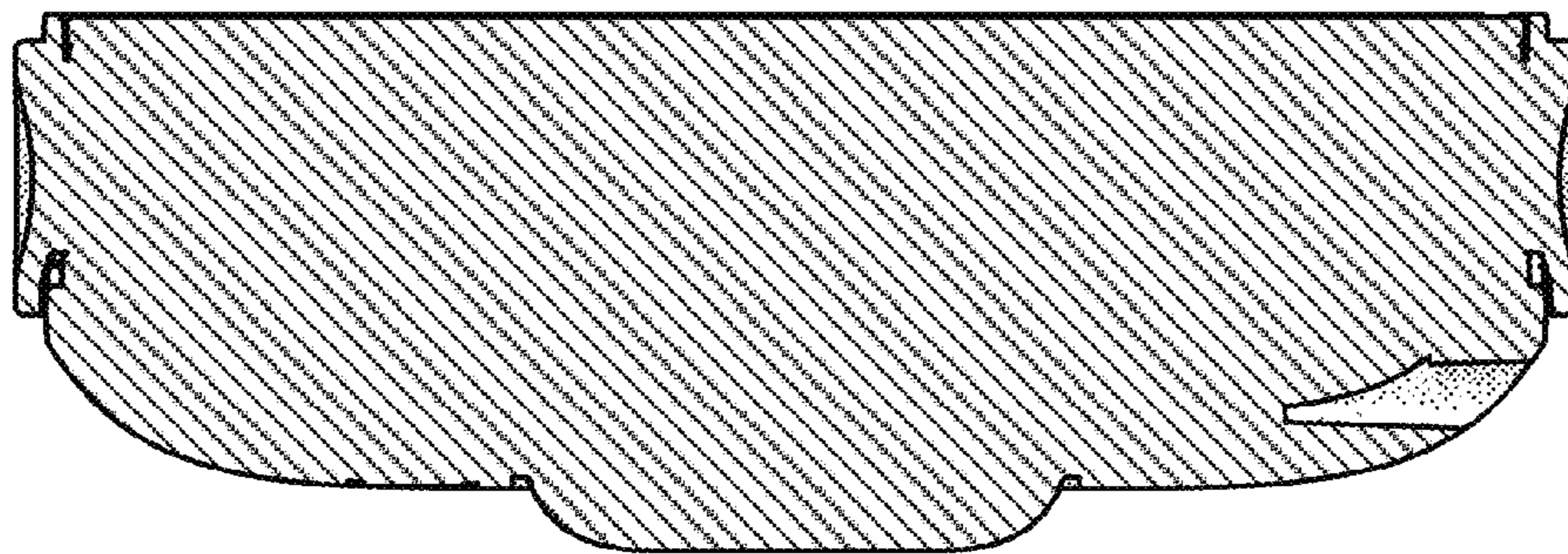


Figure 10

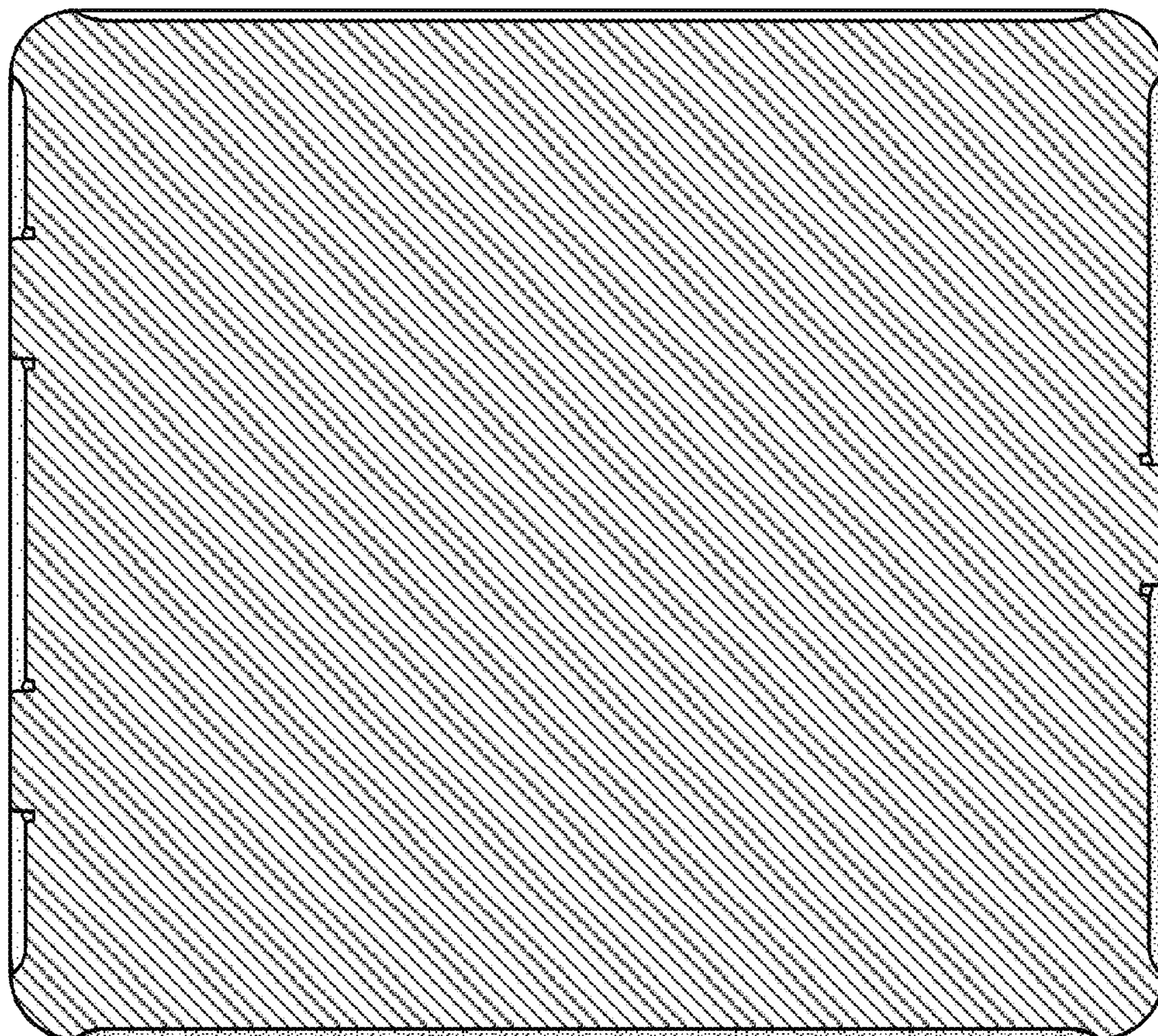


Figure 11