



US00D763105S

(12) **United States Design Patent**  
**Forowycz et al.**

(10) **Patent No.:** **US D763,105 S**

(45) **Date of Patent:** **\*\* Aug. 9, 2016**

(54) **CONTAINER**

(71) Applicant: **CLEAR LAM PACKAGING, INC.**,  
Elk Grove Village, IL (US)

(72) Inventors: **Roman Forowycz**, Lake Forest, IL (US);  
**Pat Montefusco**, Genoa, IL (US); **Javier Soria**, West Chicago, IL (US); **Milorad Radenovic**, Chicago, IL (US)

(73) Assignee: **CLEAR LAM PACKAGING, INC.**,  
Elk Grove Village, IL (US)

(\*\*) Term: **14 Years**

(21) Appl. No.: **29/472,315**

(22) Filed: **Nov. 11, 2013**

(51) **LOC (10) Cl.** ..... **09-03**

(52) **U.S. Cl.**  
USPC ..... **D9/759**

(58) **Field of Classification Search**  
USPC ..... D9/737, 754-759, 456; D3/201, 203.1,  
D3/203.2, 203.3, 203.4, 203.5, 203.6,  
D3/203.7, 203.8, 283, 304, 310, 313, 319;  
206/557, 558, 223, 541, 521.1, 521.15,  
206/521.3, 745; D7/513, 545, 550.1, 551.2,  
D7/554.3, 587, 584, 629; D24/104, 226,  
D24/230; 229/120.02, 904, 934, 935, 937;  
D11/155  
CPC .. B65D 77/24; B65D 77/0433; B65D 81/386;  
B65D 1/30; B65D 1/34; B65D 81/3813;  
B65D 5/48; B65D 5/48024; B65D 5/5069;  
B65D 25/00

See application file for complete search history.

(56) **References Cited**

U.S. PATENT DOCUMENTS

3,021,001 A \* 2/1962 Donofrio ..... 220/23.4  
3,115,266 A \* 12/1963 Poupitch ..... 220/23.6

(Continued)

*Primary Examiner* — Susan Bennett Hattan

*Assistant Examiner* — Marie Fast Horse

(74) *Attorney, Agent, or Firm* — Marshall, Gerstein & Borun LLP

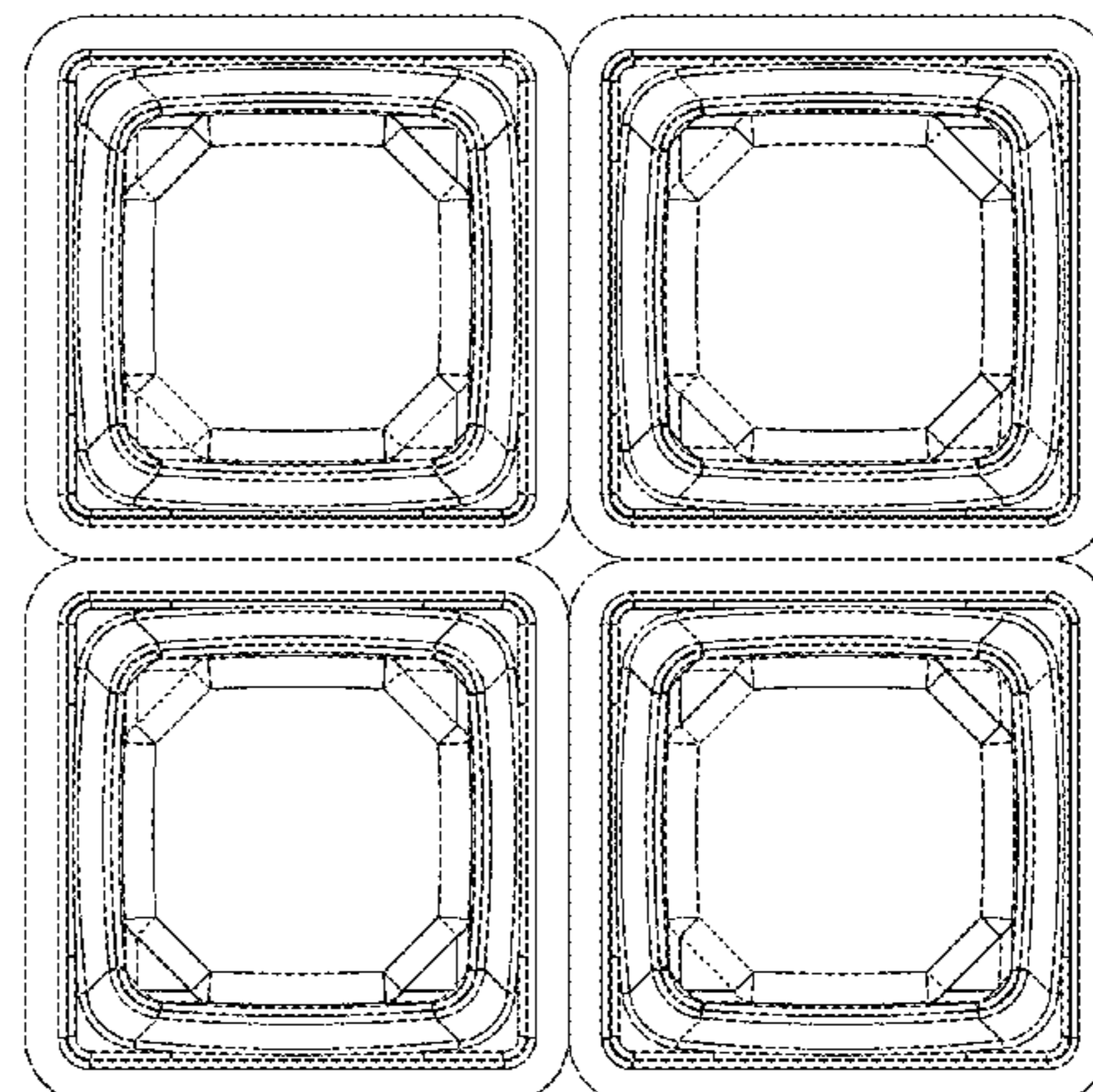
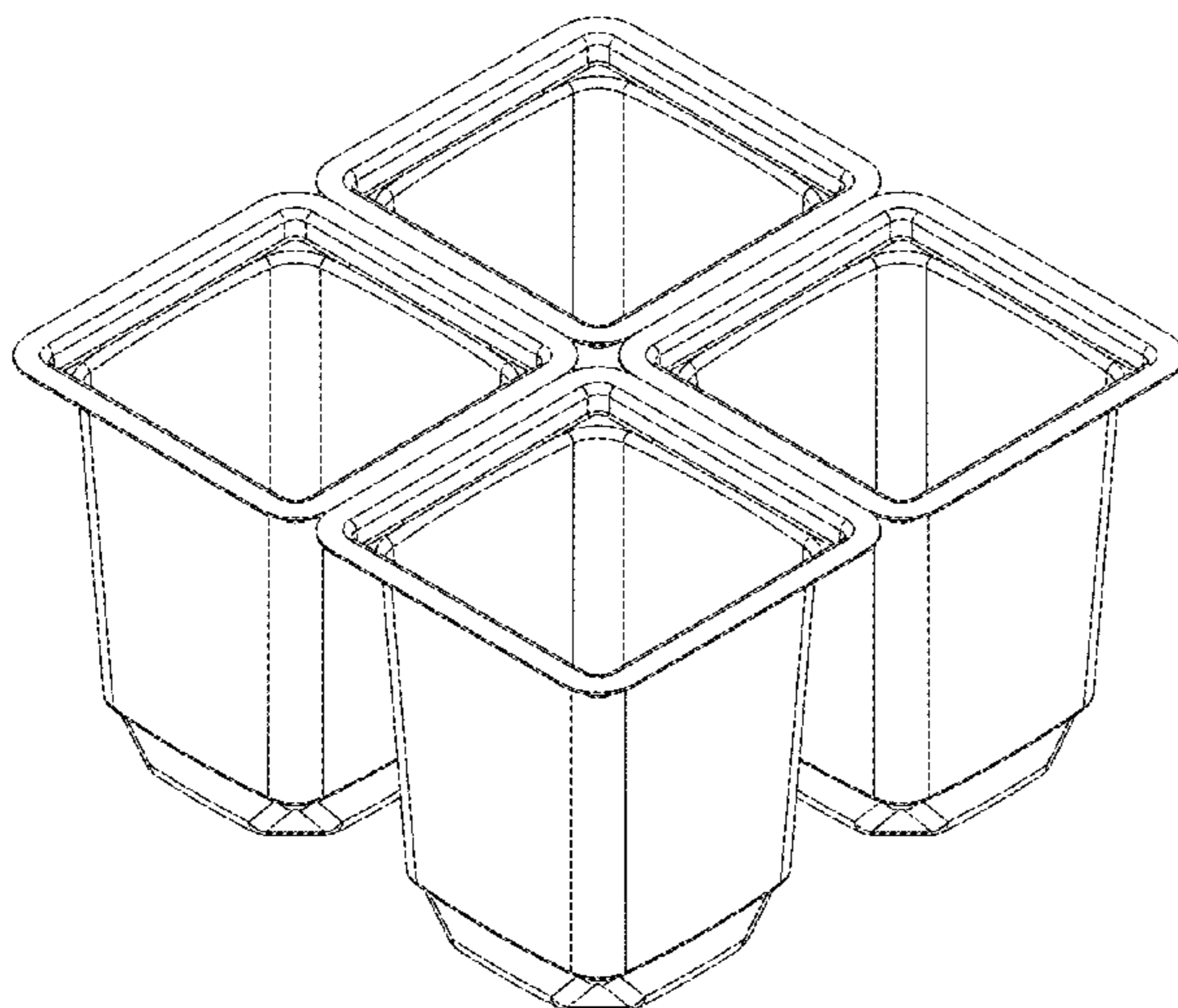
(57) **CLAIM**

The ornamental design for a container, as shown and described.

**DESCRIPTION**

FIG. 1 is perspective view of one embodiment of the container;  
FIG. 2 is a top view of the container of FIG. 1;  
FIG. 3 is a front side view of the container FIG. 1; the back side view (omitted) being a mirror image thereof;  
FIG. 4 is a left side view of the container FIG. 1; the right side view (omitted) being a mirror image thereof;  
FIG. 5 is a bottom view of the container FIG. 1;  
FIG. 6 is perspective view of another embodiment of the container;  
FIG. 7 is a top view of the container of FIG. 6;  
FIG. 8 is a front side view of the container FIG. 6; the back side view (omitted) being a mirror image thereof;  
FIG. 9 is a left side view of the container FIG. 6; the right side view (omitted) being a mirror image thereof;  
FIG. 10 is a bottom view of the container FIG. 6;  
FIG. 11 is perspective view of still another embodiment of the container;  
FIG. 12 is a top view of the container of FIG. 11;  
FIG. 13 is a front side view of the container FIG. 11; the back side view (omitted) being a mirror image thereof;  
FIG. 14 is a left side view of the container FIG. 11; the right side view (omitted) being a mirror image thereof; and,  
FIG. 15 is a bottom view of the container FIG. 11.  
The fine solid wire frame lines in the drawings should not be confused with surface ornamentation or edge lines.

**1 Claim, 12 Drawing Sheets**



(56)

References Cited

U.S. PATENT DOCUMENTS

3,142,407	A *	7/1964	Poupitch	220/23.6	7,093,816	B2 *	8/2006	Lacan et al.	249/61
3,386,608	A *	6/1968	Diller	220/23.6	D535,195	S *	1/2007	Schwab	D9/756
3,501,080	A *	3/1970	Govatsos	229/120.07	D540,711	S *	4/2007	Howard et al.	D11/155
3,561,158	A *	2/1971	Marcan	47/87	D542,649	S *	5/2007	Sagel et al.	D9/759
D235,621	S *	7/1975	Cawrse	D9/425	D543,452	S *	5/2007	Gehring et al.	D9/759
D236,018	S *	7/1975	Swift	D11/155	D552,423	S *	10/2007	Friedland et al.	D7/545
D236,881	S *	9/1975	Mitchell	D9/759	D561,025	S *	2/2008	Gilfert	D9/456
D240,200	S *	6/1976	Lynn	D9/757	D561,588	S *	2/2008	Gilfert	D9/456
D241,622	S *	9/1976	Smith	D9/760	D575,148	S *	8/2008	Sagel	D9/761
D263,681	S *	4/1982	Parr	D9/760	D580,789	S *	11/2008	Larson	D9/761
D273,842	S *	5/1984	Jeannin	D9/758	D590,715	S *	4/2009	Gilfert	D9/456
D277,467	S *	2/1985	Turunen	D11/155	7,549,551	B2 *	6/2009	Tyberghein	220/23.4
D277,837	S *	3/1985	Turunen	D11/155	D601,040	S *	9/2009	Vovan et al.	D9/760
D289,854	S *	5/1987	Lane et al.	D9/760	D616,266	S *	5/2010	Kulzer	D7/701
4,875,620	A *	10/1989	Lane, Sr.	229/404	D616,269	S *	5/2010	Kulzer	D7/701
4,899,976	A *	2/1990	Cederroth et al.	249/61	D616,270	S *	5/2010	Kulzer	D7/701
D317,864	S *	7/1991	Turk	D9/759	D621,651	S *	8/2010	Bryce et al.	D7/354
D322,048	S *	12/1991	Saarinen	D11/155	D627,218	S *	11/2010	Golota et al.	D9/424
D323,109	S *	1/1992	Kalvelage	D9/732	7,828,149	B2 *	11/2010	Kalvelage et al.	206/538
D324,834	S *	3/1992	Saarinen	D11/155	D628,449	S *	12/2010	Kulzer	D7/701
D325,714	S *	4/1992	Karhiniemi et al.	D11/155	D659,023	S *	5/2012	Hsu	D9/737
5,139,147	A *	8/1992	Sutherland	206/431	D667,734	S *	9/2012	Goodman	D9/737
5,316,173	A *	5/1994	Emery	220/556	8,375,885	B2 *	2/2013	Marks et al.	118/300
D351,765	S *	10/1994	Beeler et al.	D7/629	8,607,983	B2 *	12/2013	Niven et al.	206/538
5,409,127	A *	4/1995	Stratford et al.	220/23.4	D696,907	S *	1/2014	Everingham et al.	D7/587
D381,933	S *	8/1997	Van Wingerden	D11/155	8,757,381	B2 *	6/2014	Bouthiette	206/534
D401,530	S *	11/1998	Keskilohko	D11/155	D708,891	S *	7/2014	Smallegan	D7/357
D404,231	S *	1/1999	Woodring	D3/313	2003/0108705	A1 *	6/2003	Duffield et al.	428/36.6
D407,929	S *	4/1999	Woodring	D3/313	2003/0178339	A1 *	9/2003	De Marco	206/820
D417,785	S *	12/1999	Daniels	D3/313	2003/0230582	A1 *	12/2003	Whitmore et al.	220/507
D424,807	S *	5/2000	Dembicks	D3/313	2004/0202753	A1 *	10/2004	Jackels et al.	426/120
6,086,931	A *	7/2000	Whiteford	426/118	2005/0011898	A1 *	1/2005	Van Handel et al.	220/507
D450,186	S *	11/2001	Dembicks	D3/313	2007/0108089	A1 *	5/2007	Galluch	206/558
D455,032	S *	4/2002	Quinn	D3/304	2007/0194495	A1 *	8/2007	Henderson et al.	264/319
6,523,686	B1 *	2/2003	Bae	206/315.9	2009/0173738	A1 *	7/2009	Golota et al.	220/265
D473,463	S *	4/2003	Armstrong et al.	D9/432	2010/0084401	A1 *	4/2010	Golota et al.	220/270
D480,326	S *	10/2003	Carlson	D11/155	2011/0229705	A1 *	9/2011	Georgelos et al.	428/220
D485,942	S *	1/2004	McLeish	D28/8.1	2014/0326634	A1 *	11/2014	Milante	206/531
					2014/0350135	A1 *	11/2014	Georgelos et al.	521/138

\* cited by examiner

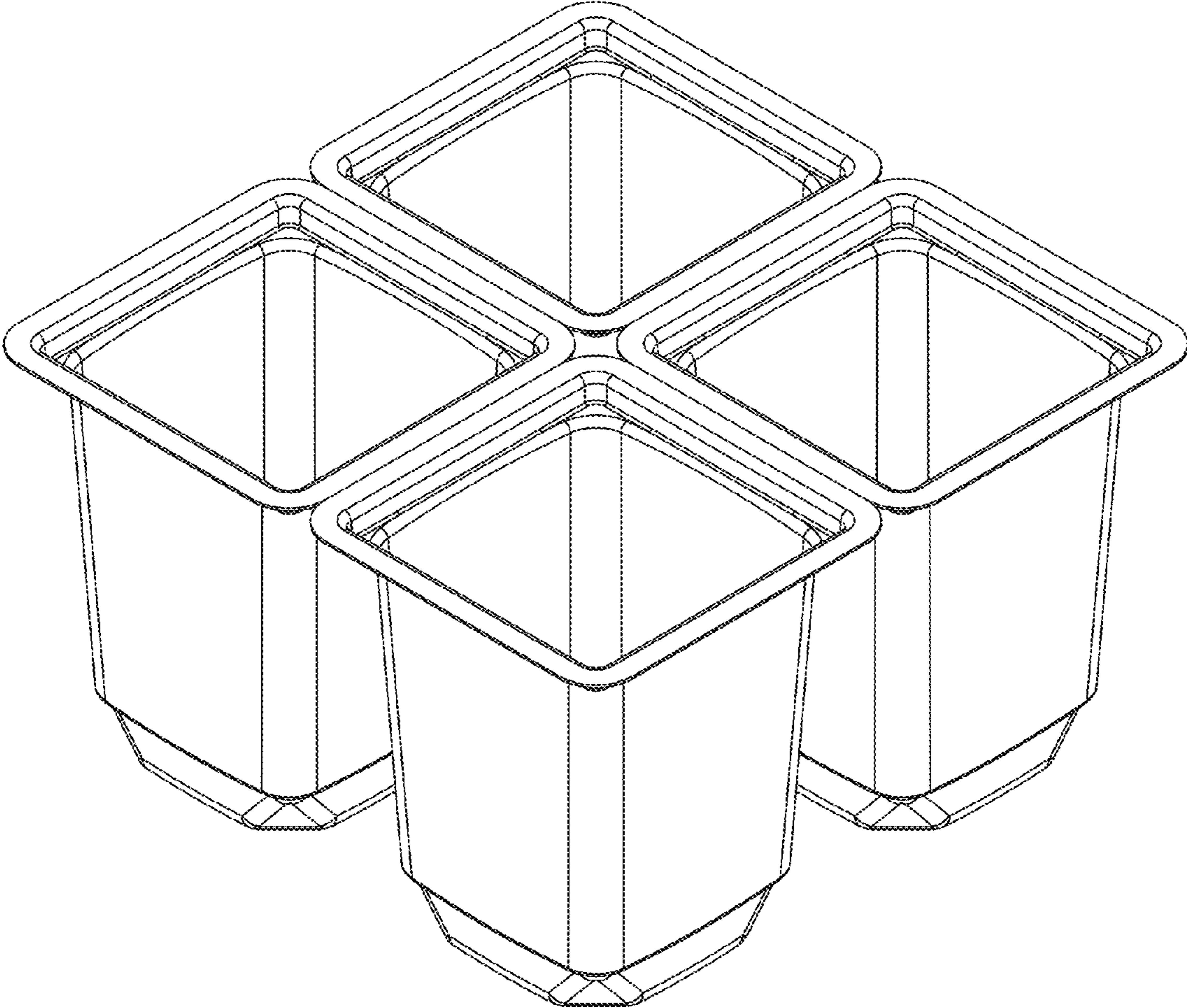


FIG. 1

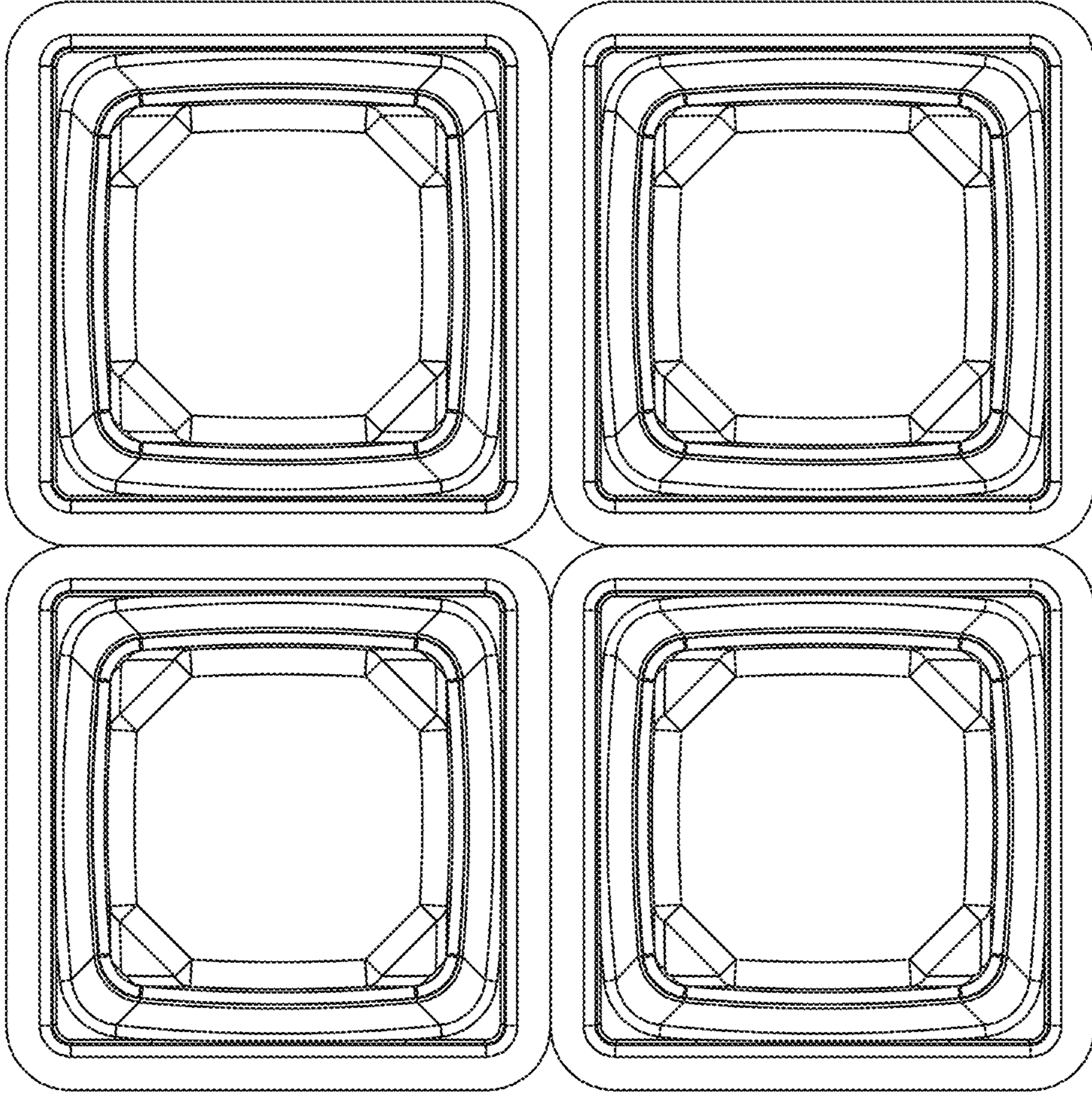


FIG. 2

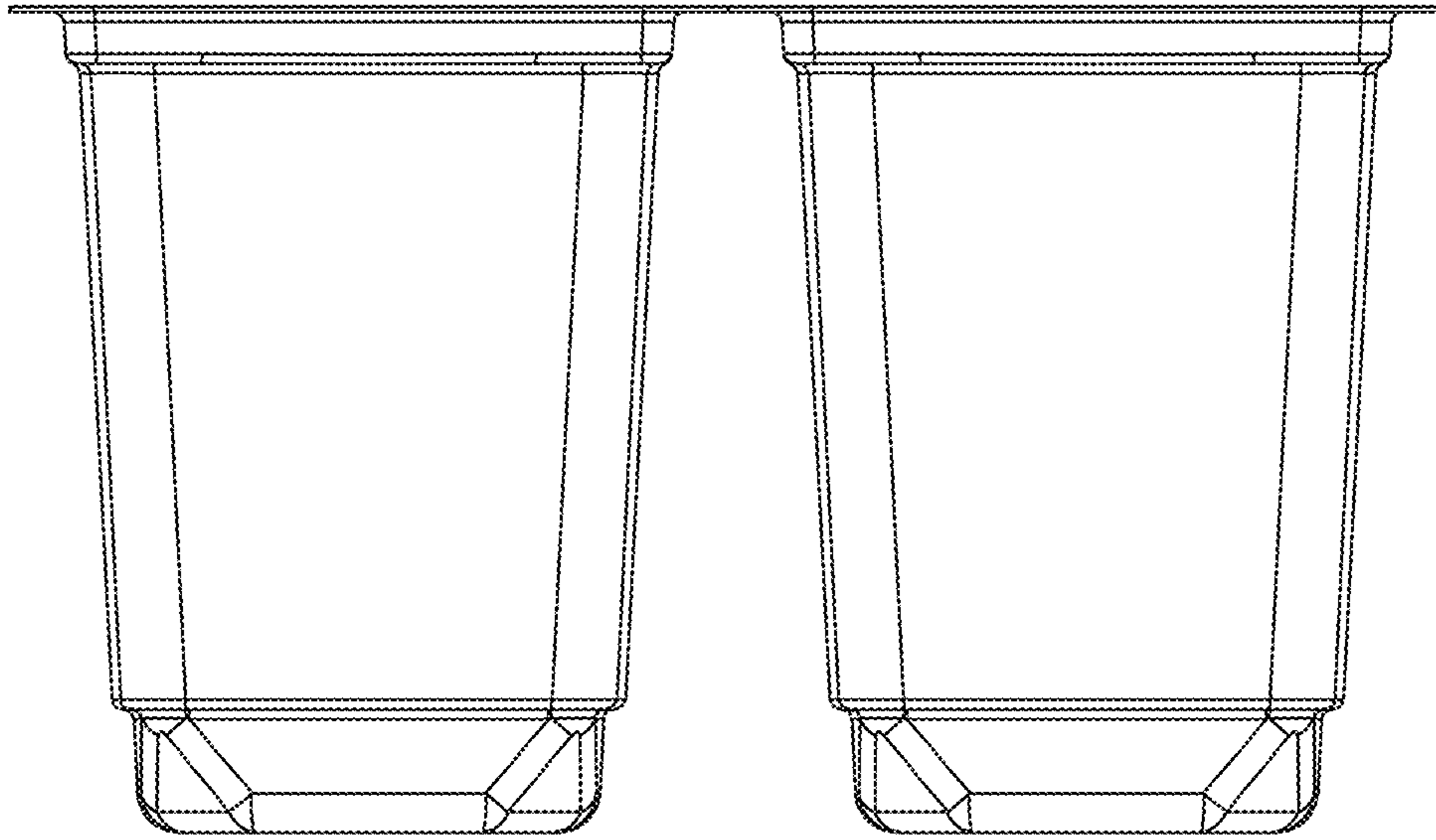


FIG. 3

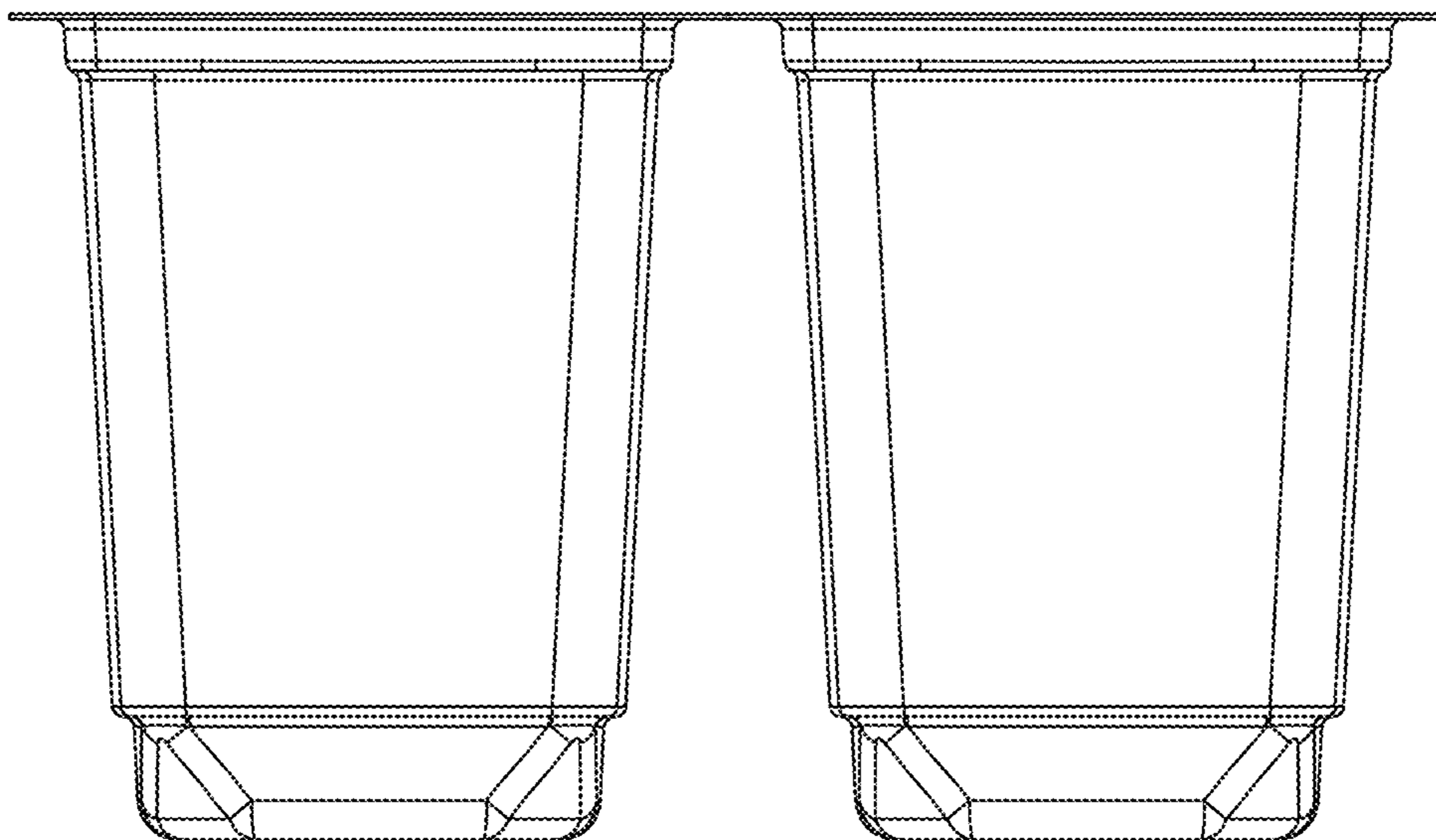


FIG. 4

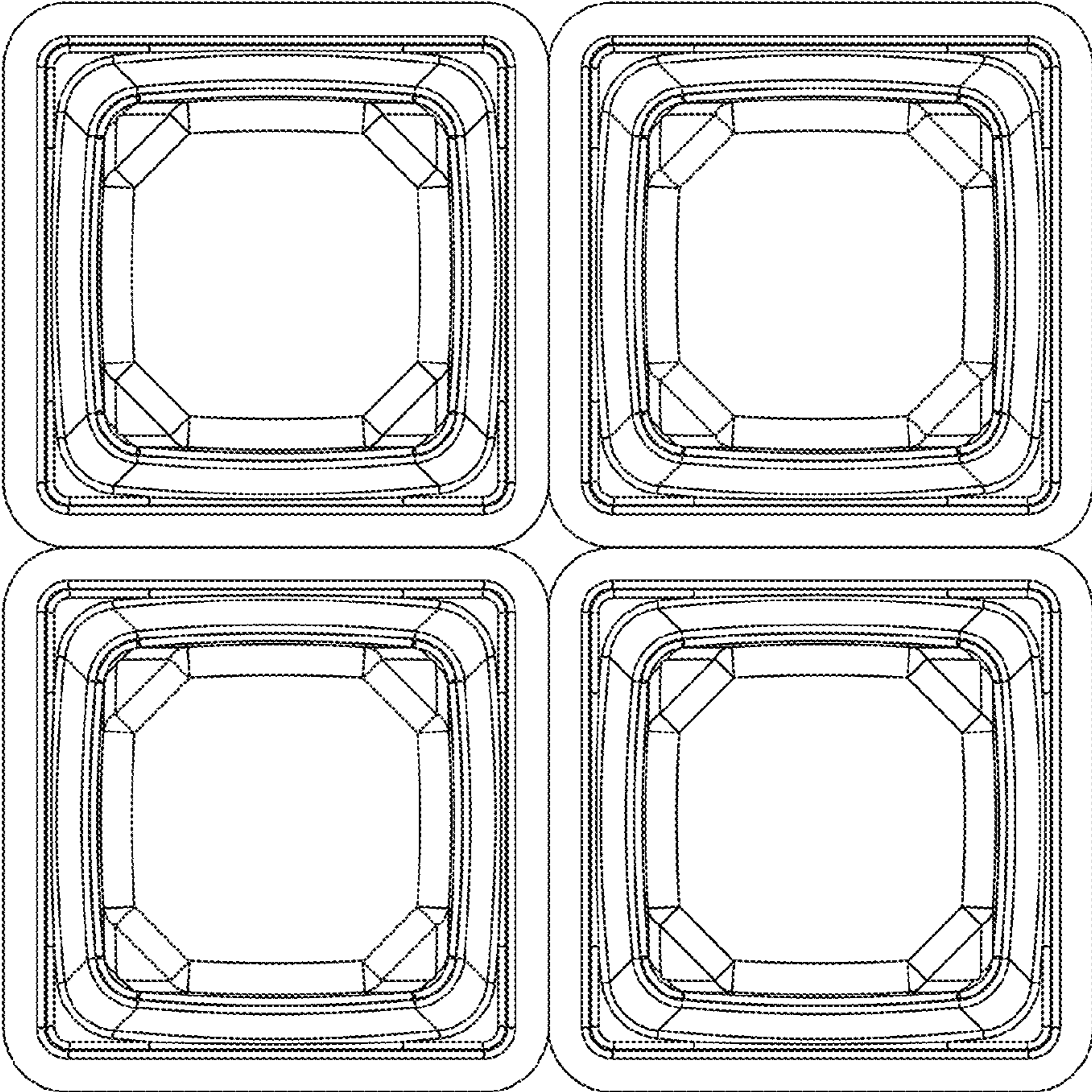


FIG. 5

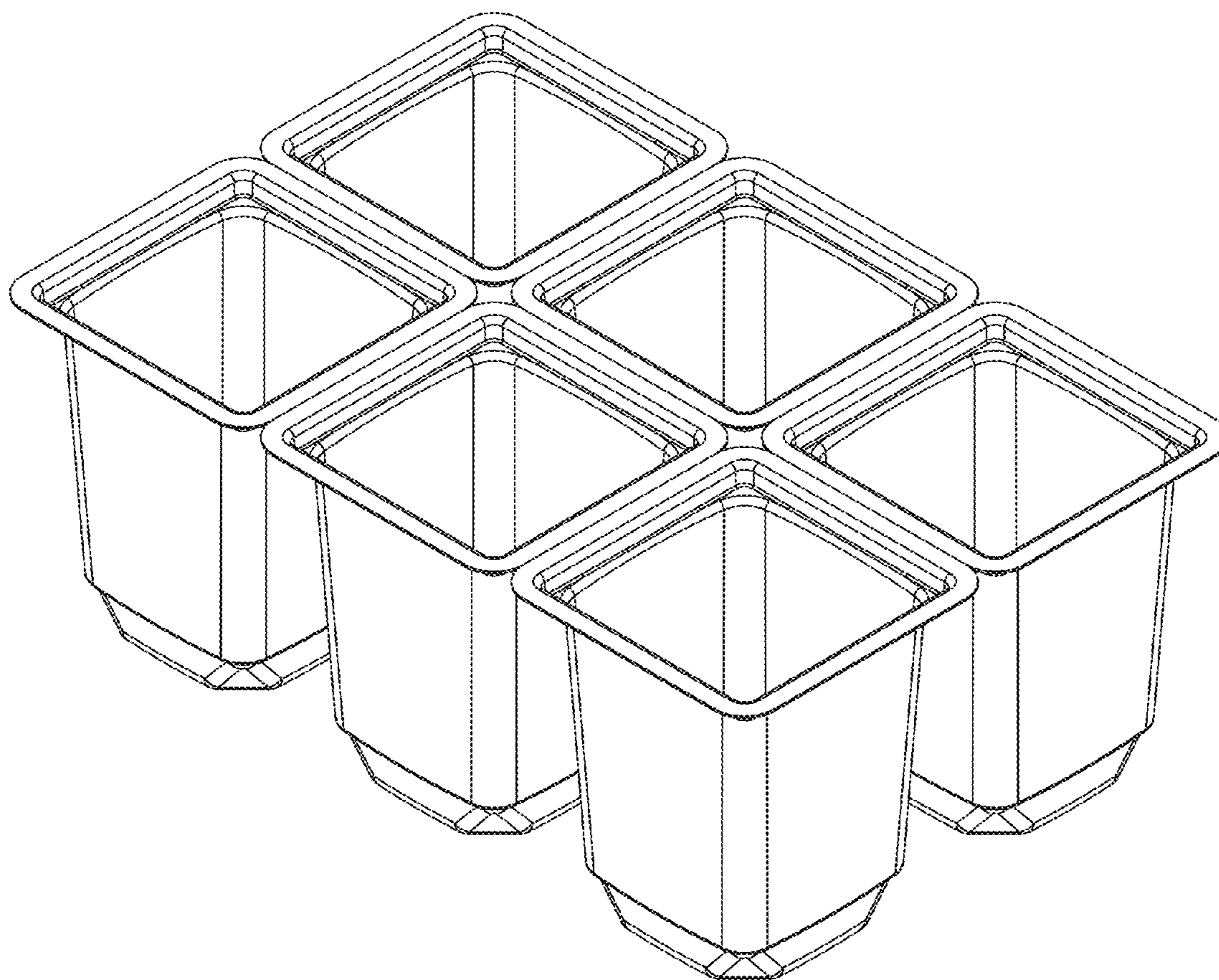


FIG. 6

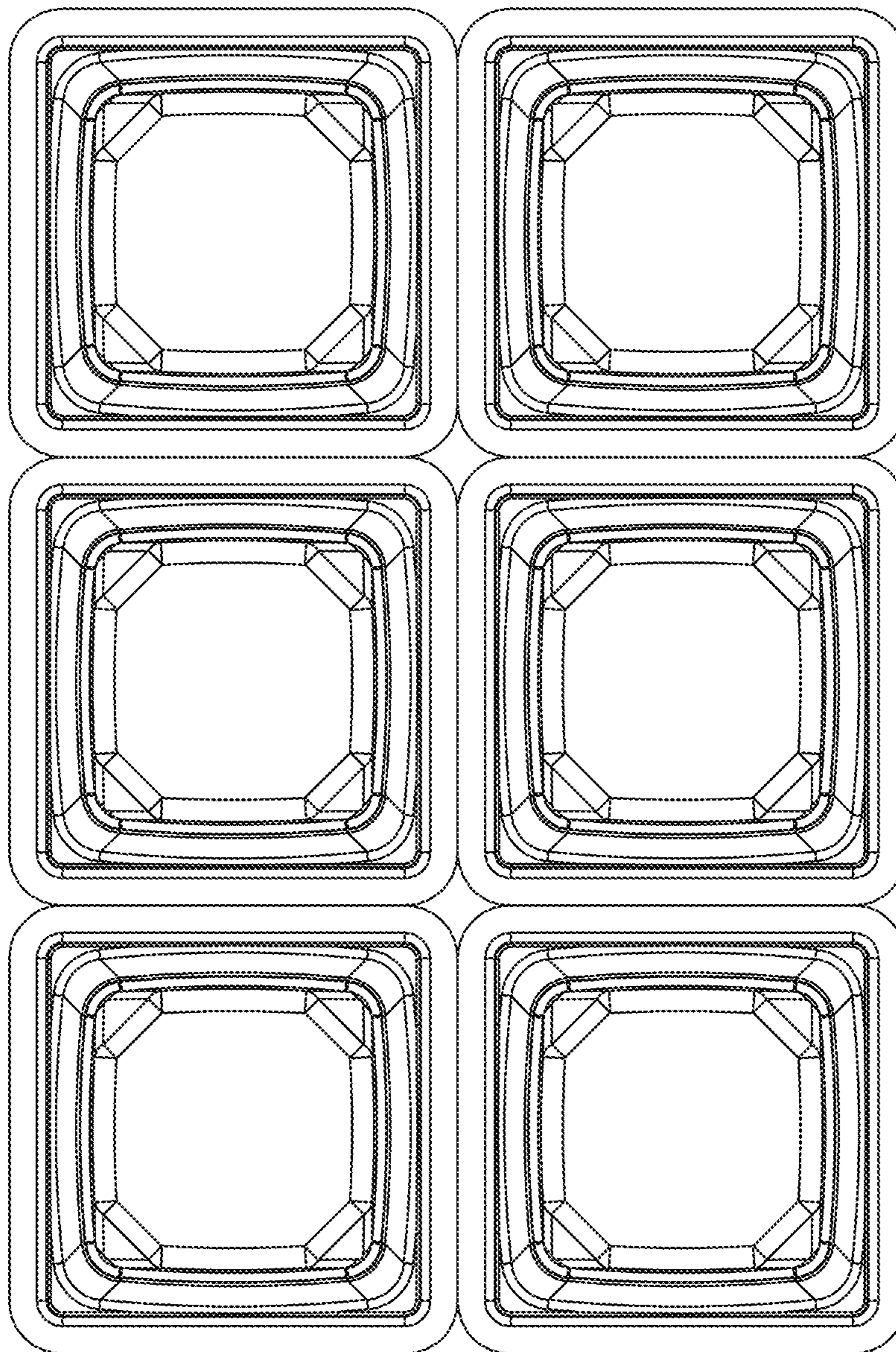


FIG. 7



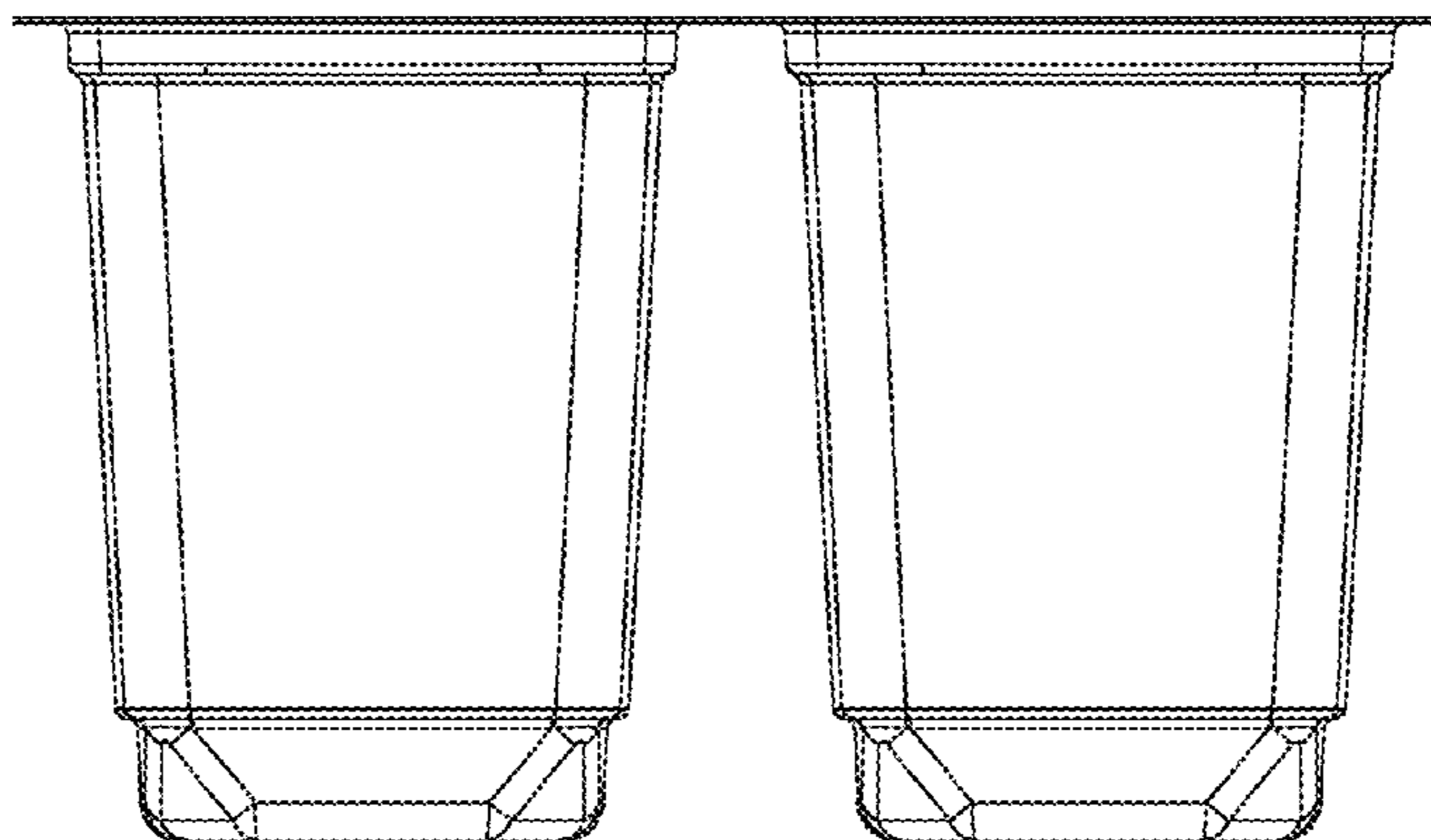


FIG. 8

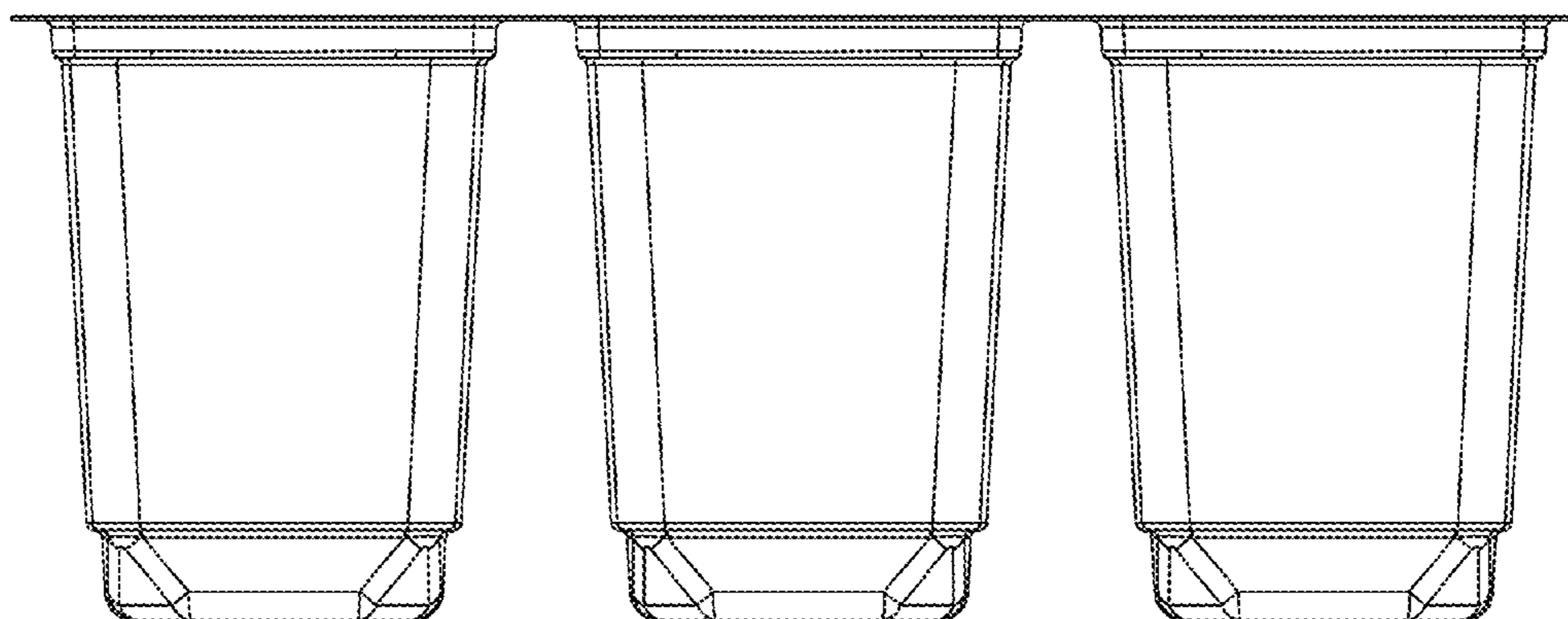


FIG. 9

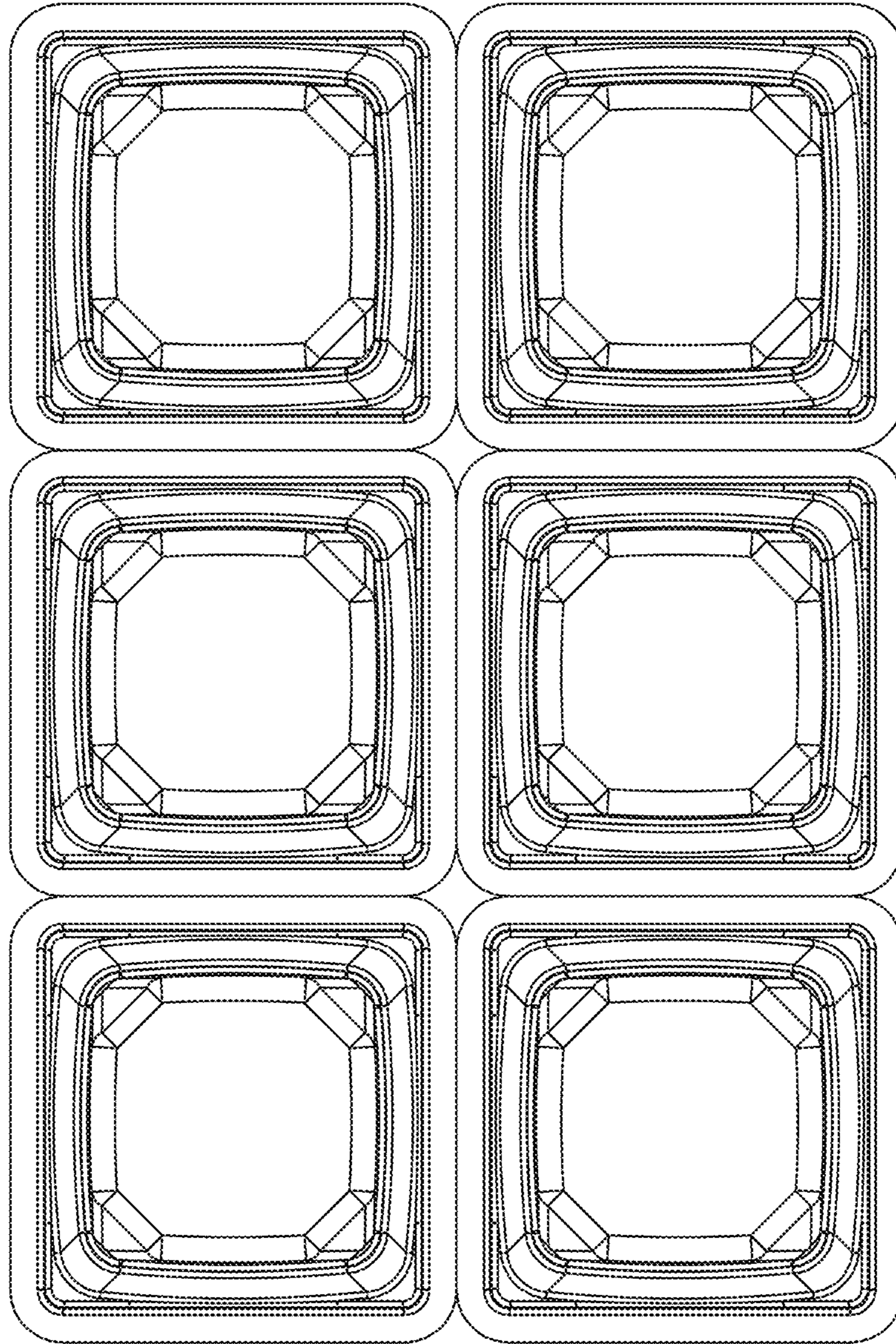


FIG. 10

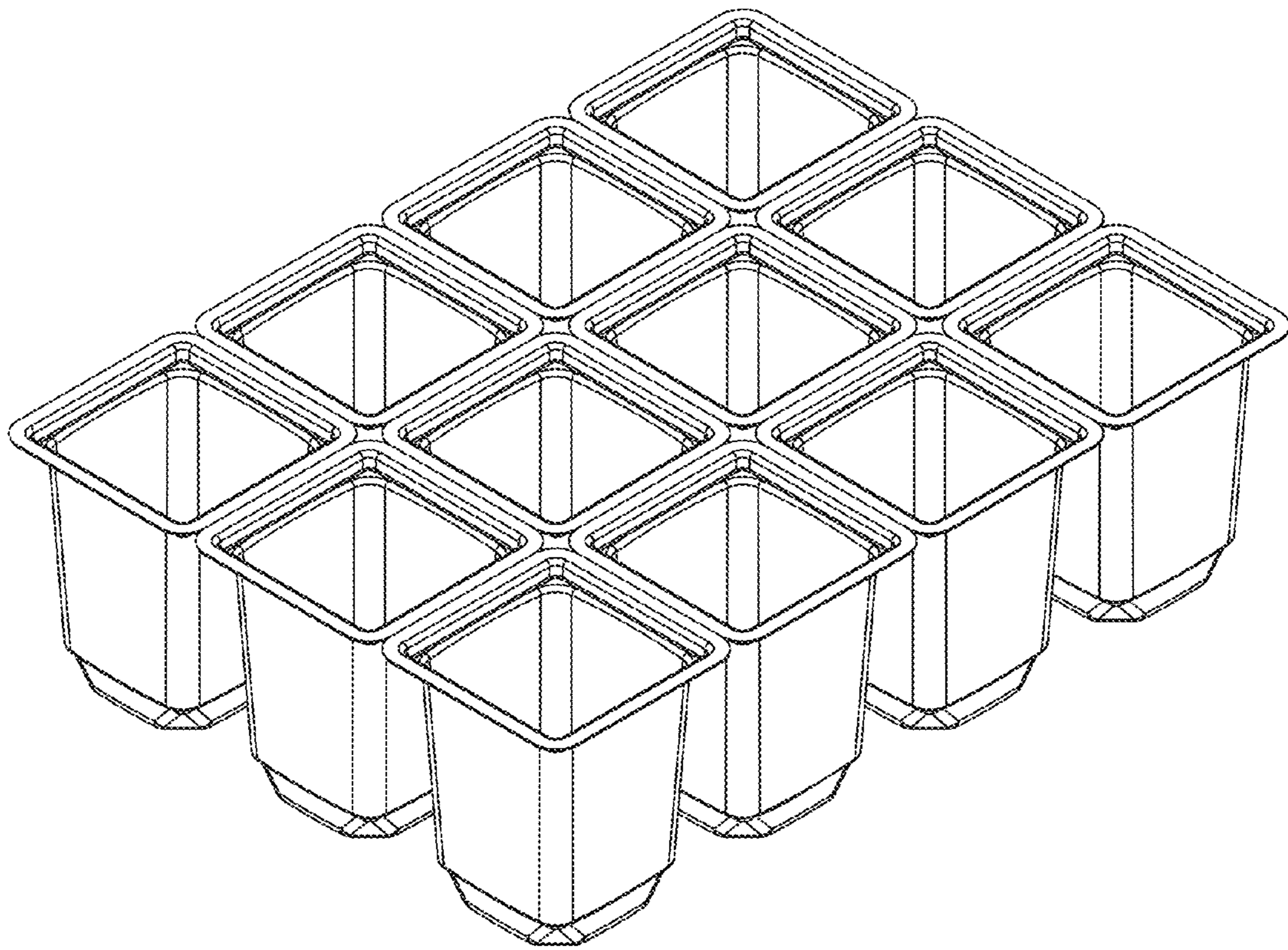


FIG. 11

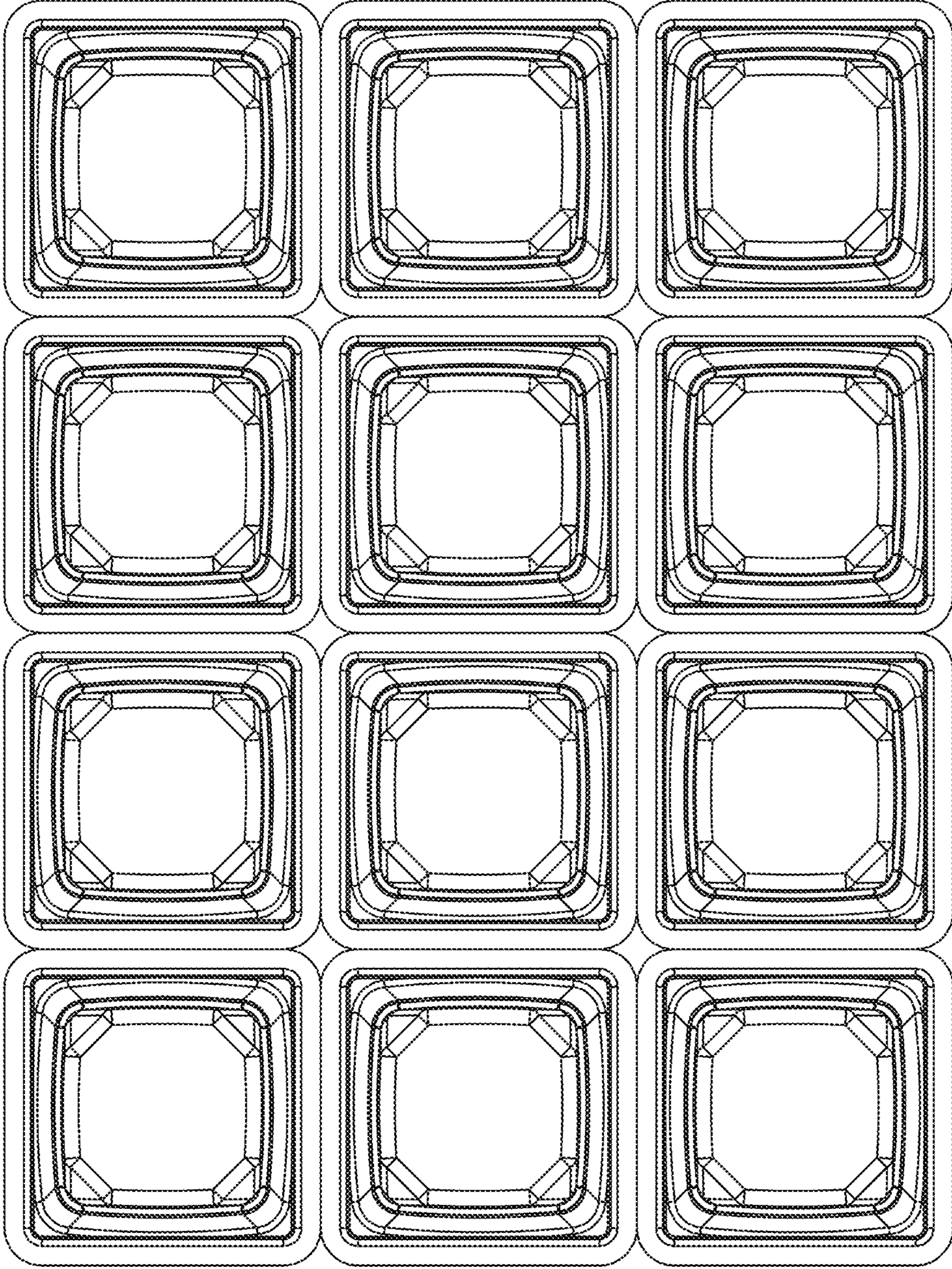


FIG. 12

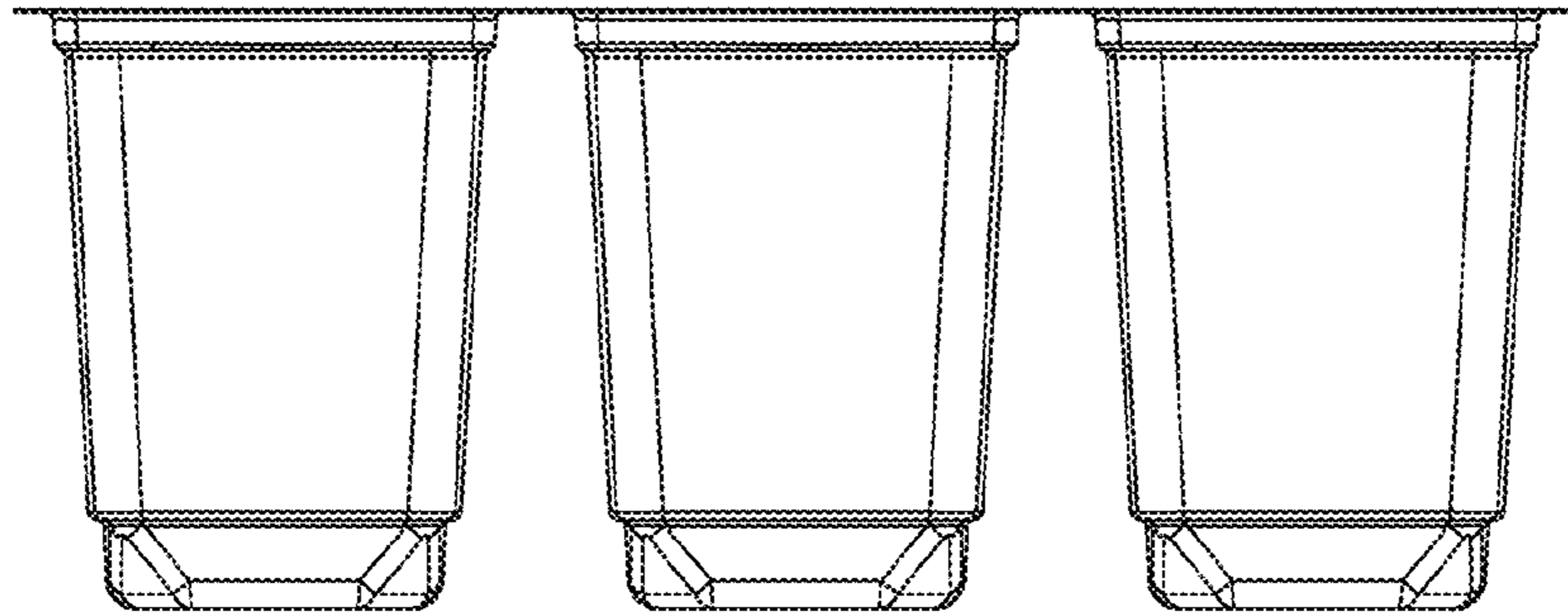


FIG. 13

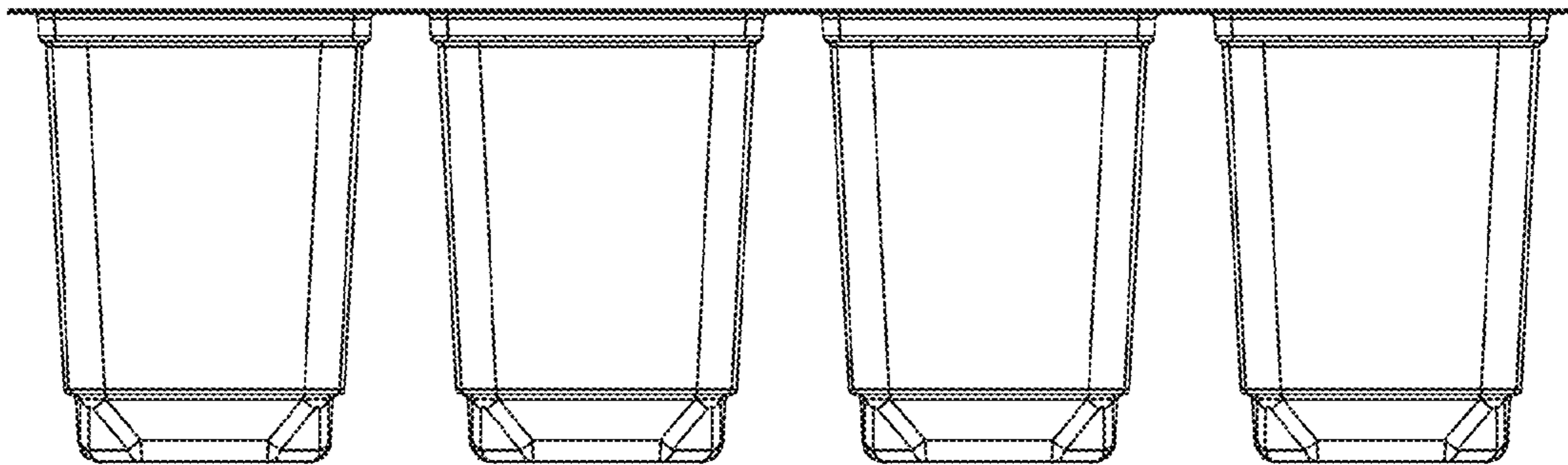


FIG. 14

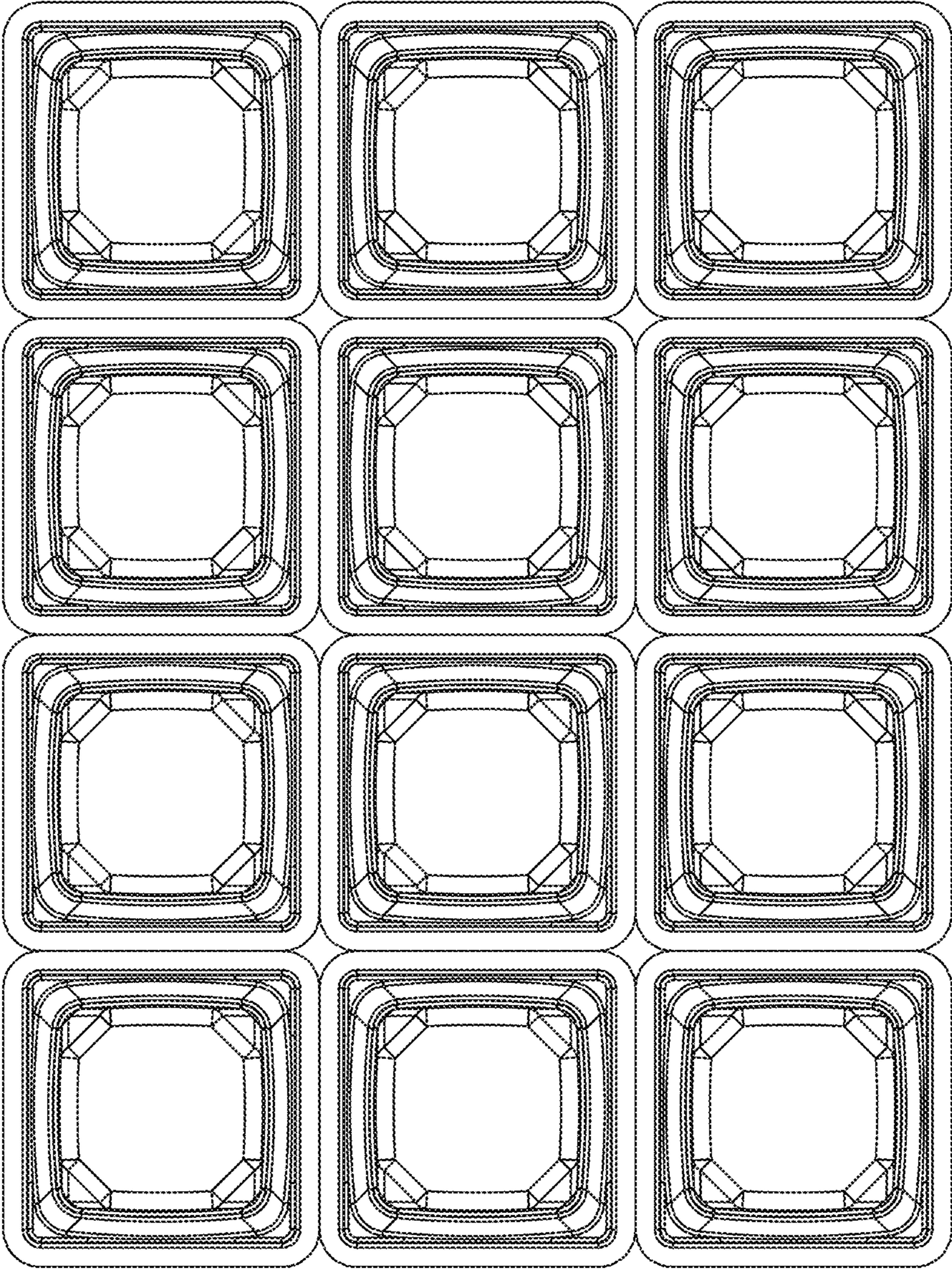


FIG. 15