

US00D763103S

(12) **United States Design Patent**
Fleischhacker

(10) **Patent No.:** **US D763,103 S**
(45) **Date of Patent:** **** Aug. 9, 2016**

(54) **PLASTIC CONTAINER**

(71) Applicant: **Plastipak Packaging, Inc.**, Plymouth, MI (US)

(72) Inventor: **Kyle Fleischhacker**, Detroit, MI (US)

(73) Assignee: **Plastipak Packaging, Inc.**, Plymouth, MI (US)

(**) Term: **14 Years**

(21) Appl. No.: **29/489,261**

(22) Filed: **Apr. 29, 2014**

(51) **LOC (10) Cl.** **09-01**

(52) **U.S. Cl.**
USPC **D9/745**

(58) **Field of Classification Search**
USPC D9/500, 502-505, 516, 520, 530,
D9/537-545, 548-549, 558, 715, 719,
D9/740-741, 743, 745, 434, 737-739,
D9/746; D23/211.1, 225, 259, 262;
D34/39
CPC B65D 1/00; B65D 1/02; B65D 1/0223;
B65D 1/0284; B65D 23/00; B65D 23/001;
B65D 83/00; B65D 91/00; B65D 91/02;
B65D 2501/00; B65D 2501/0009; B65D
2501/0081

See application file for complete search history.

(56) **References Cited**

U.S. PATENT DOCUMENTS

D43,835 S * 4/1913 Toedt D23/262
D56,082 S * 8/1920 Smith D9/745
2,110,237 A * 3/1938 Parsons G01N 33/04
210/361
D163,390 S * 5/1951 Hofman D9/505
D242,956 S * 1/1977 Miller 482/13

D248,812 S * 8/1978 Eiserman D7/608
D264,431 S * 5/1982 Maeda D34/39
D264,558 S * 5/1982 Maeda D23/202
D264,638 S * 5/1982 Maeda D34/39
D311,240 S * 10/1990 Born D23/205
5,379,909 A * 1/1995 Roark A63B 21/0602
215/10
D431,279 S * 9/2000 Spriegel D23/202
D476,061 S * 6/2003 Neal D23/225
D480,969 S * 10/2003 Owens 220/4.27
D604,614 S * 11/2009 Janboecke D9/454
D662,757 S * 7/2012 Roos D34/39
D700,948 S * 3/2014 McGiveron D23/202

* cited by examiner

Primary Examiner — Dana L Meyrow

(74) *Attorney, Agent, or Firm* — Dykema Gossett PLLC

(57) **CLAIM**

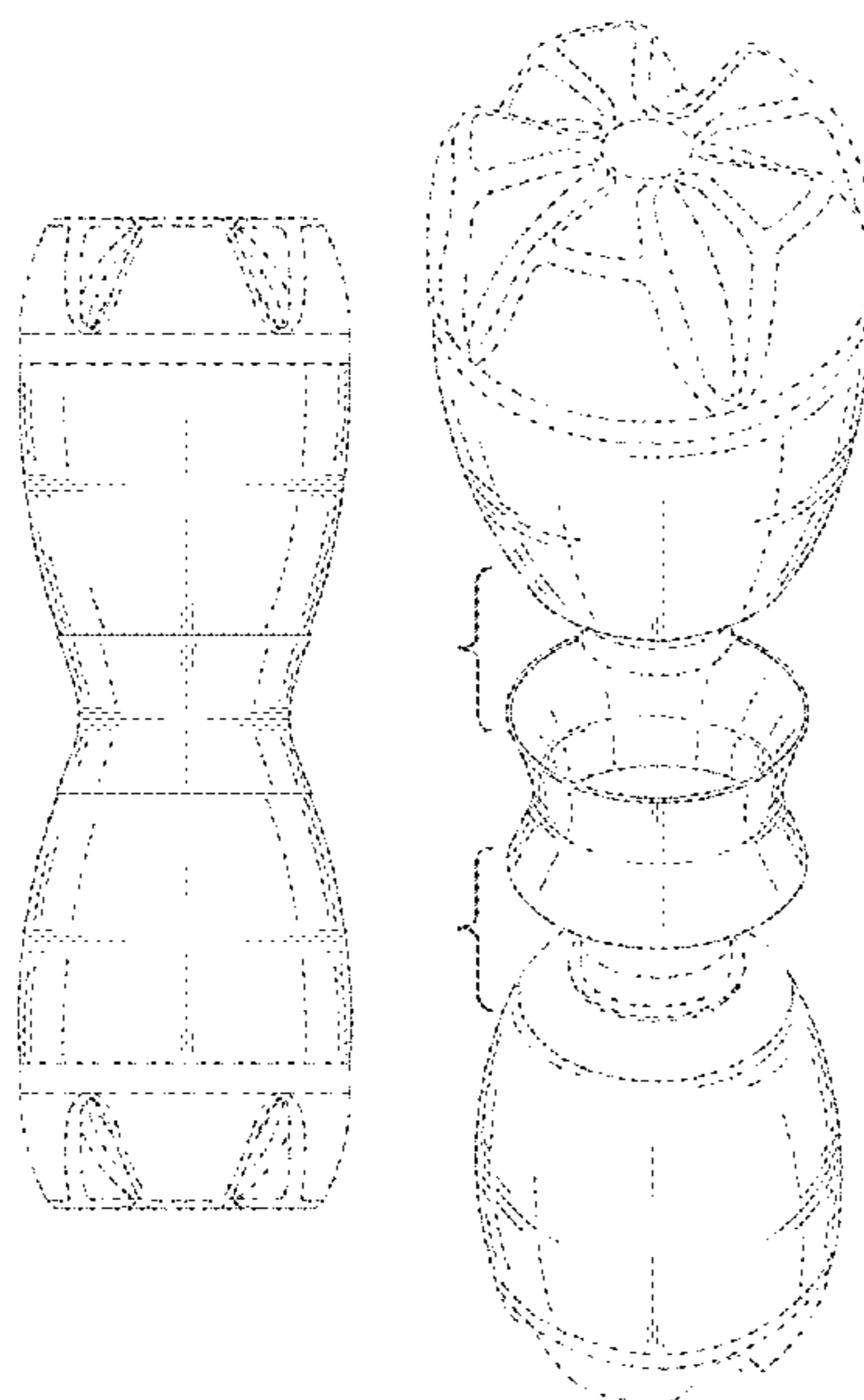
The ornamental design for a plastic container, as shown and described.

DESCRIPTION

FIG. 1 is a top, front, left side perspective view of a plastic container showing the claimed design;
FIG. 2 is a front elevation view thereof;
FIG. 3 is a rear elevation view thereof;
FIG. 4 is a left side elevation view thereof;
FIG. 5 is a right side elevation view thereof;
FIG. 6 is a top plan view thereof;
FIG. 7 is a bottom plan view thereof;
FIG. 8 is an exploded top, front, left side perspective thereof;
and,
FIG. 9 is an exploded front elevation view thereof.

The evenly-dashed broken lines in the drawings illustrate the portions of the plastic container that form no part of the claim. The dot-dot-dash broken lines in the drawings define the bounds of the claim and form no part thereof.

1 Claim, 6 Drawing Sheets



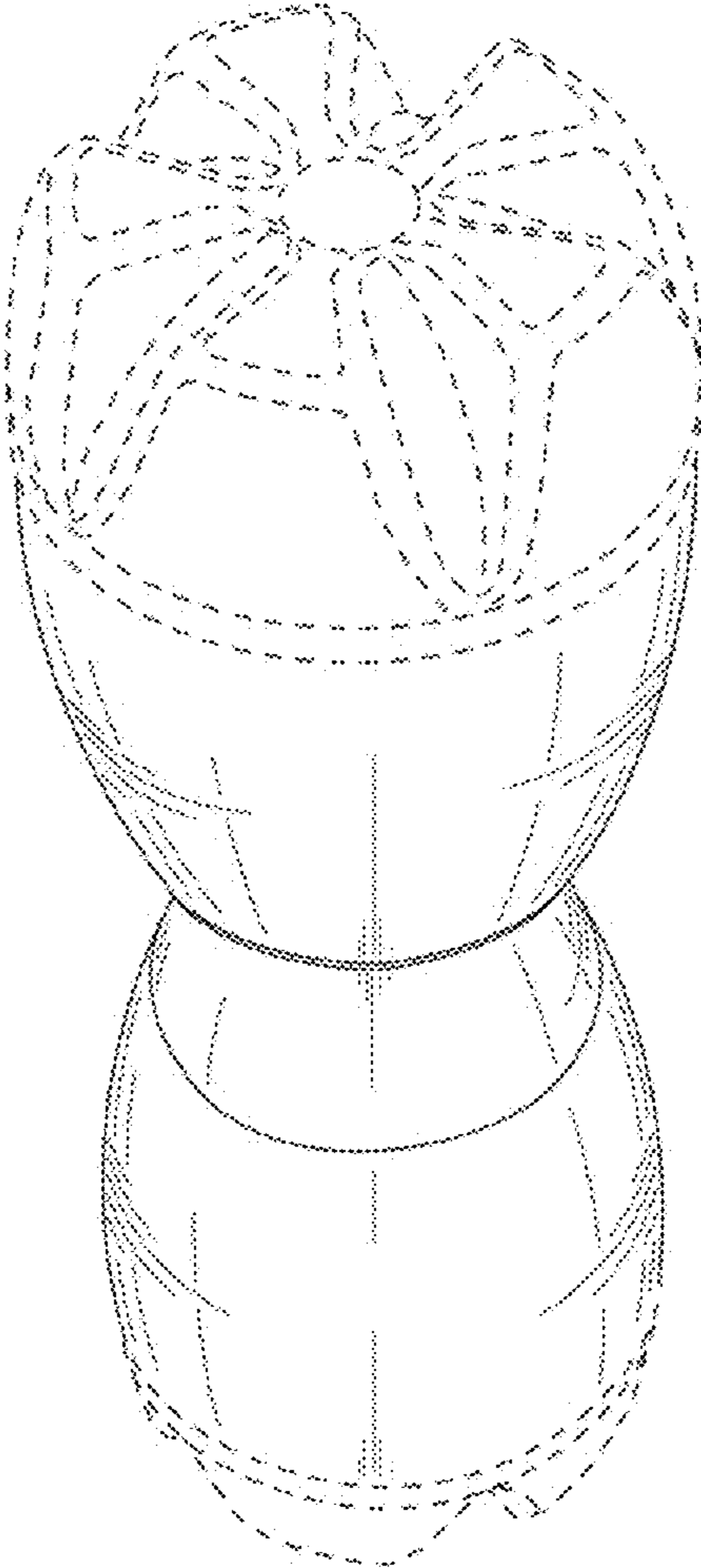


FIG. 1

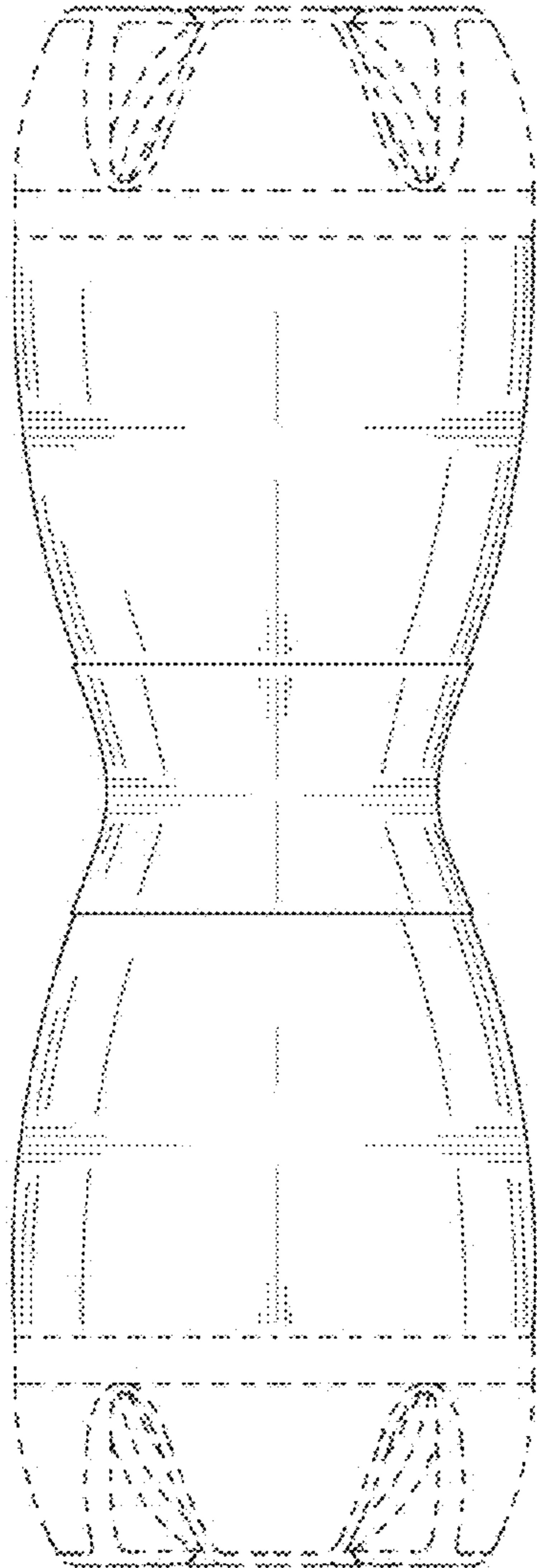


FIG. 2

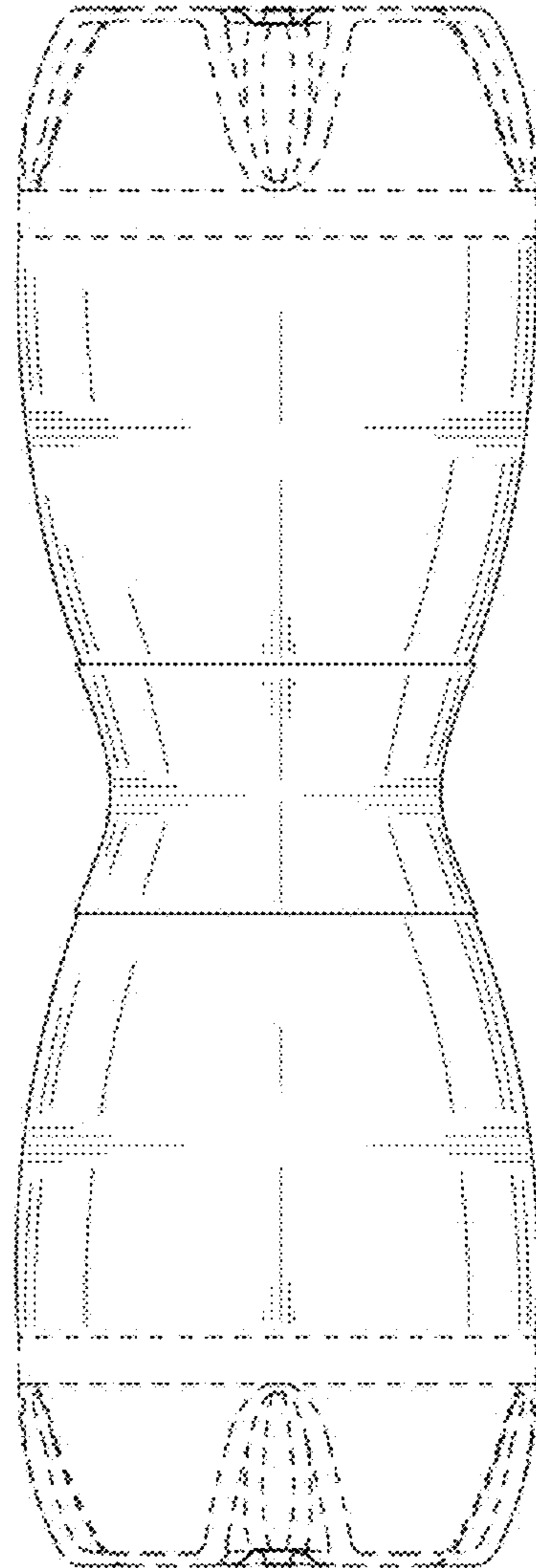


FIG. 3

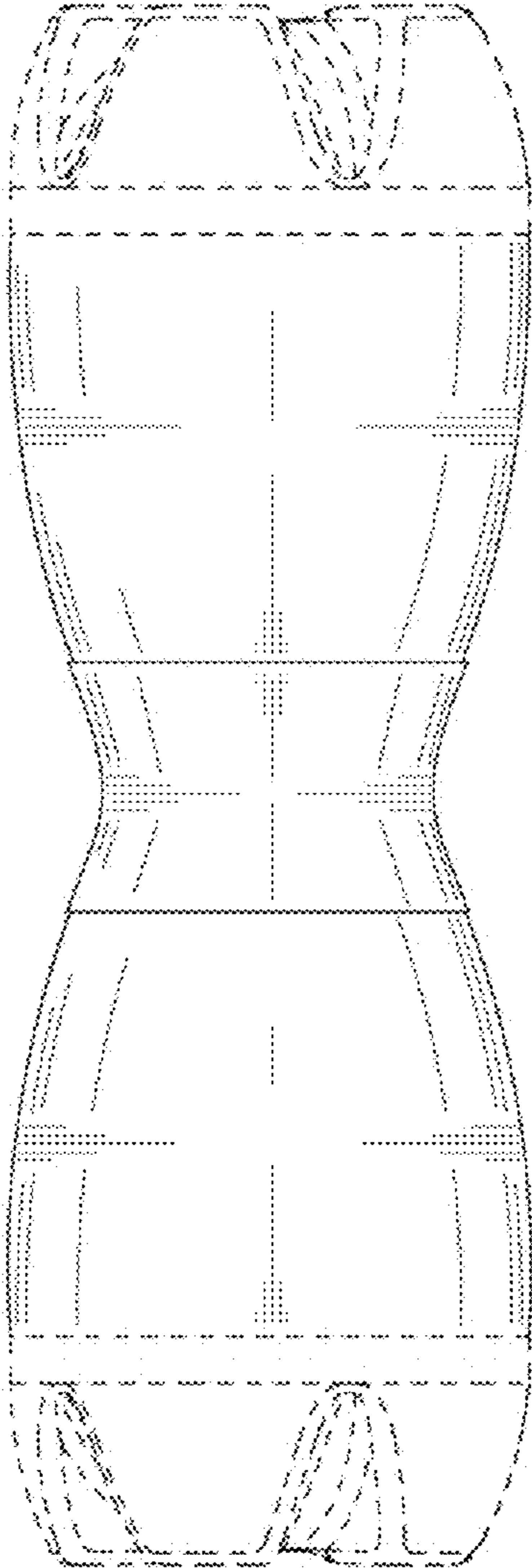


FIG. 4

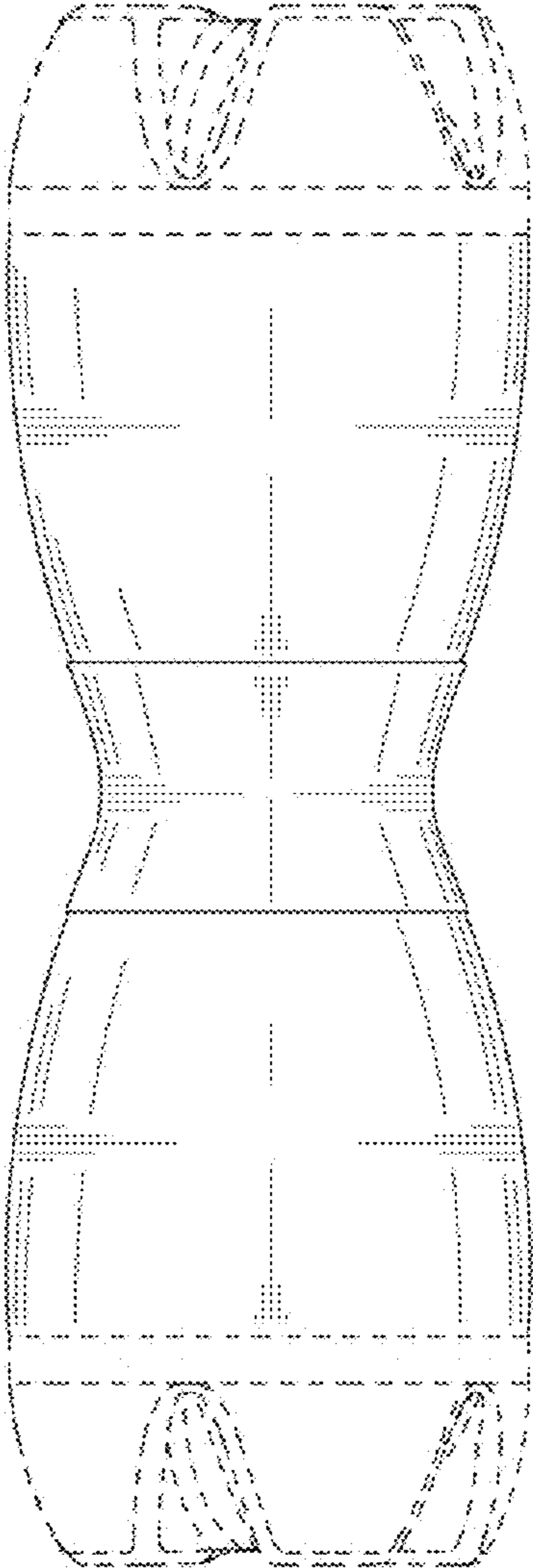


FIG. 5

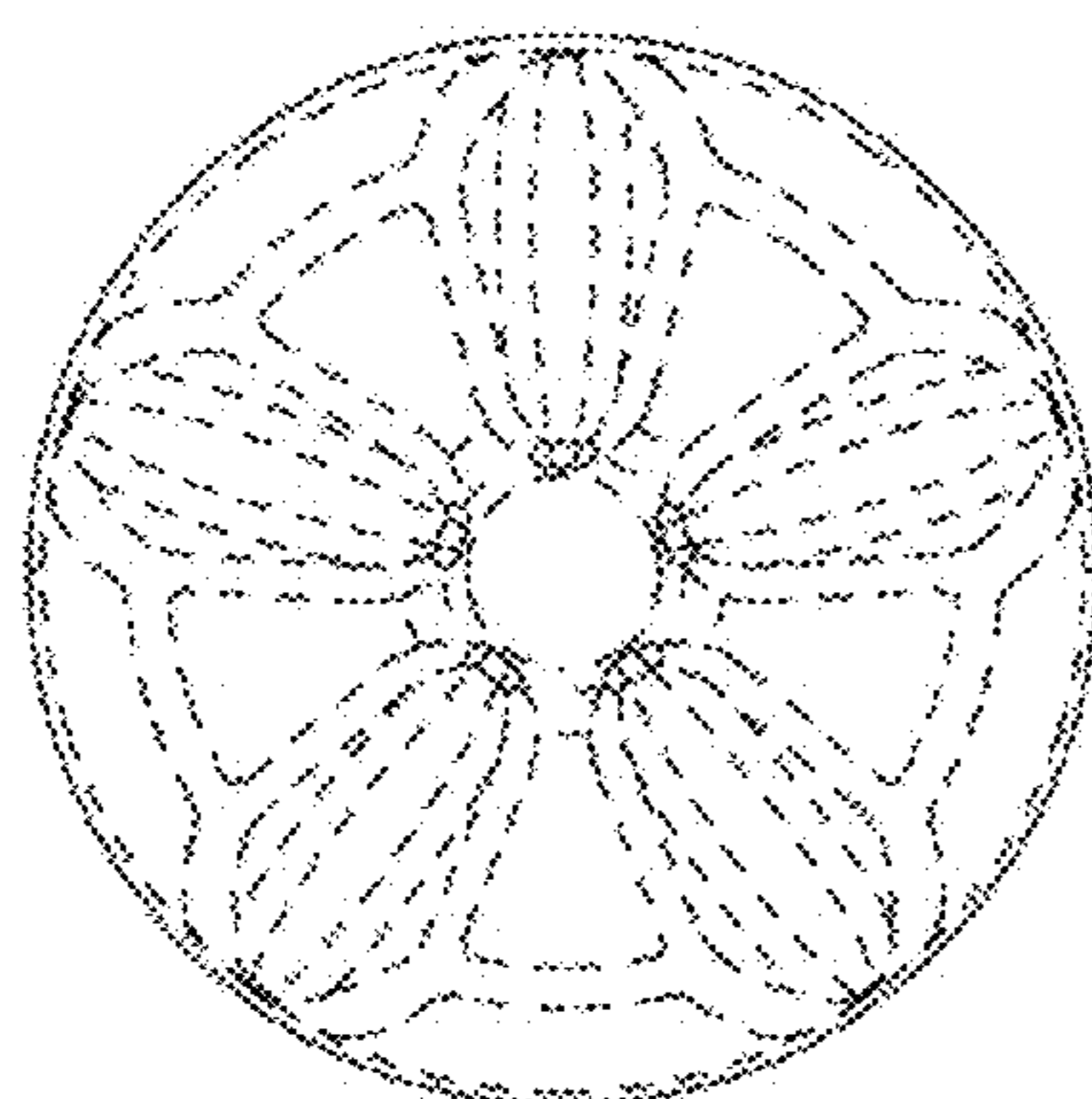


FIG. 6

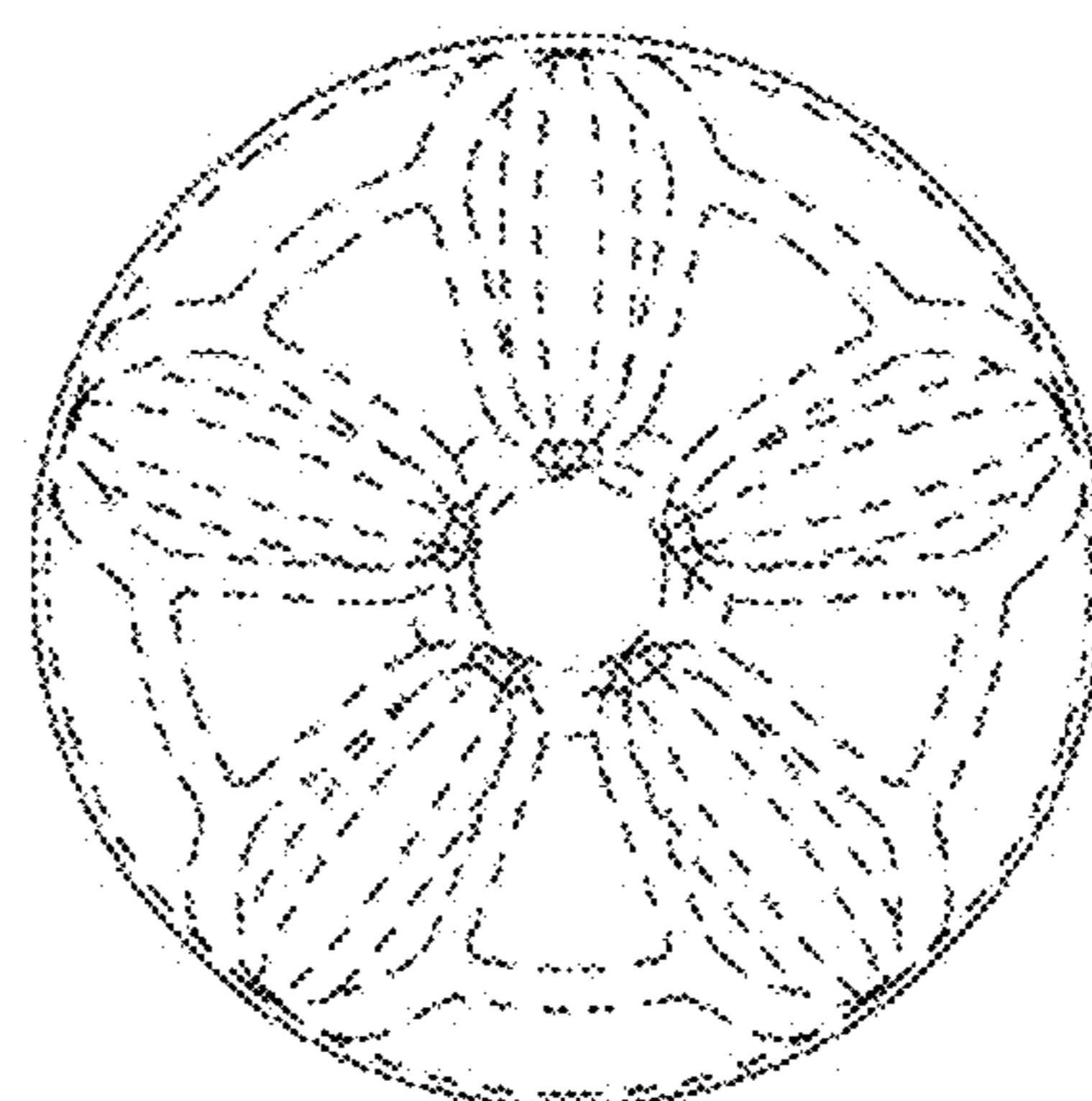


FIG. 7

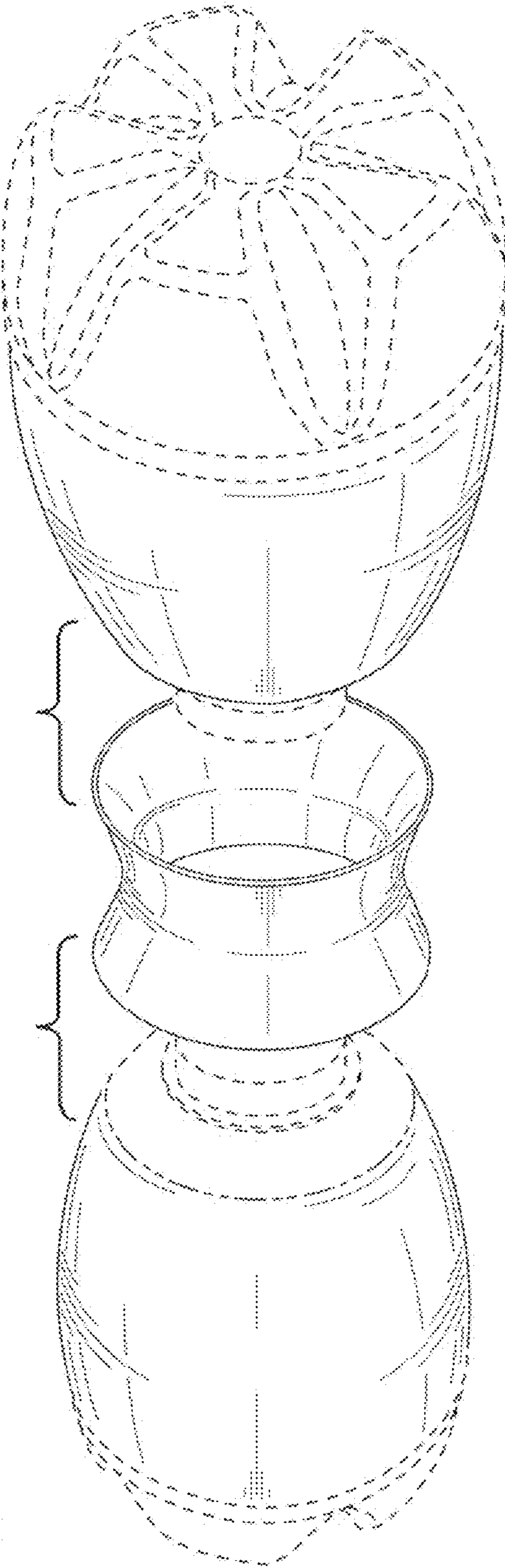


FIG. 8

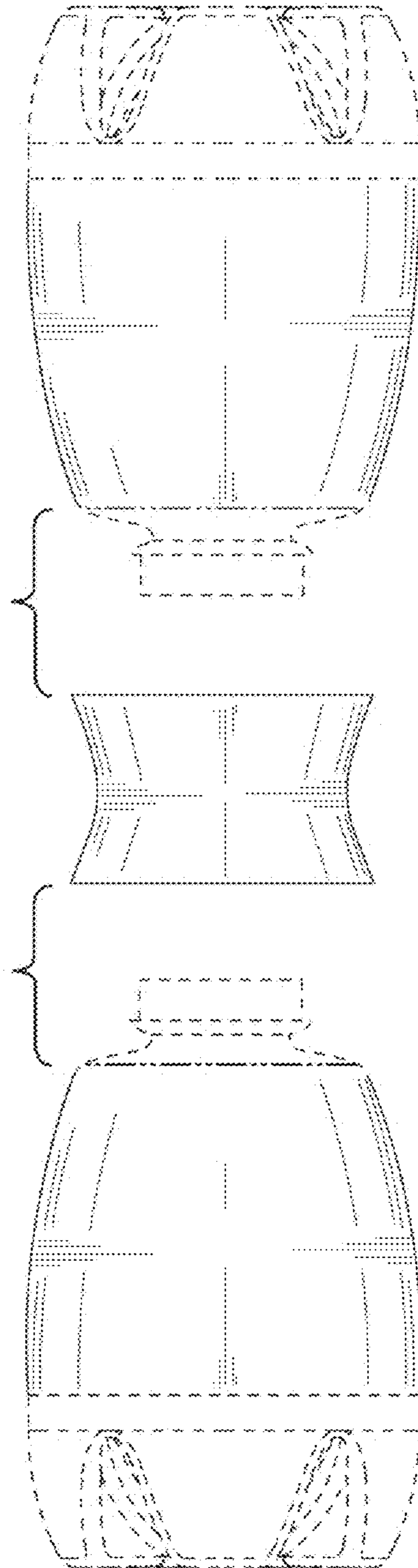


FIG. 9