



US00D763100S

(12) **United States Design Patent**
Antretter

(10) **Patent No.:** **US D763,100 S**
(45) **Date of Patent:** **** Aug. 9, 2016**

(54) **PERFUME BOTTLE**

(71) Applicant: **Elizabeth Arden, Inc.**, New York, NY (US)

(72) Inventor: **Jean Antretter**, Cornwall-on-Hudson, NY (US)

(73) Assignee: **Elizabeth Arden, Inc.**, New York, NY (US)

(**) Term: **14 Years**

(21) Appl. No.: **29/511,771**

(22) Filed: **Dec. 12, 2014**

Related U.S. Application Data

(62) Division of application No. 29/414,481, filed on Feb. 29, 2012.

(51) **LOC (10) Cl.** **09-01**

(52) **U.S. Cl.**
USPC **D9/689**; D9/682; D9/519; D9/523;
D9/549; D9/744

(58) **Field of Classification Search**

USPC D9/682, 684, 686, 688-691, 500,
D9/502-505, 516, 519, 521, 523, 529, 545,
D9/549, 558, 738, 741, 743-745;
D28/91.1; 215/381-385, 396, 398

See application file for complete search history.

(56) **References Cited**

U.S. PATENT DOCUMENTS

D60,060 S 12/1921 Resor
D69,486 S 9/1925 Braun
D79,717 S 12/1929 Hoffman
D85,363 S 4/1931 Betts
D99,764 S 7/1935 Trompeter
D112,545 S 12/1938 Younghusband
2,745,642 A * 5/1956 Hermann A47J 43/24
220/4.25

D230,954 S * 3/1974 Gregoriette D9/504
D255,215 S 6/1980 Ellinwood
D291,730 S * 9/1987 Kelln D24/224
D309,098 S 7/1990 Moret
D332,721 S 1/1993 Jauhal
D333,784 S * 3/1993 Goodman D3/302
D345,788 S * 4/1994 Green D23/366
D354,441 S 1/1995 Fontanella
D375,565 S 11/1996 Autrey
D382,223 S * 8/1997 Harrison D11/80
D383,068 S 9/1997 Dinand
D404,195 S * 1/1999 Beals D9/668
D405,003 S * 2/1999 Dapsanse D9/504
D412,440 S * 8/1999 Chuang D9/503
D431,183 S * 9/2000 Beals D9/668
D434,324 S 11/2000 Gobe
D447,944 S 9/2001 Justice
D464,571 S * 10/2002 Hill D9/519
D465,733 S 11/2002 Hill
D504,615 S 5/2005 Papiernik

(Continued)

Primary Examiner — Carol P Rademaker

(74) *Attorney, Agent, or Firm* — Dorf & Nelson LLP; Scott D. Locke, Esq.

(57) **CLAIM**

The ornamental design for a perfume bottle, as shown and described.

DESCRIPTION

FIG. 1 is a top, front and right side perspective view of a perfume bottle;

FIG. 2 is a front elevational view thereof;

FIG. 3 is a rear elevational view thereof;

FIG. 4 is a left side elevational view thereof

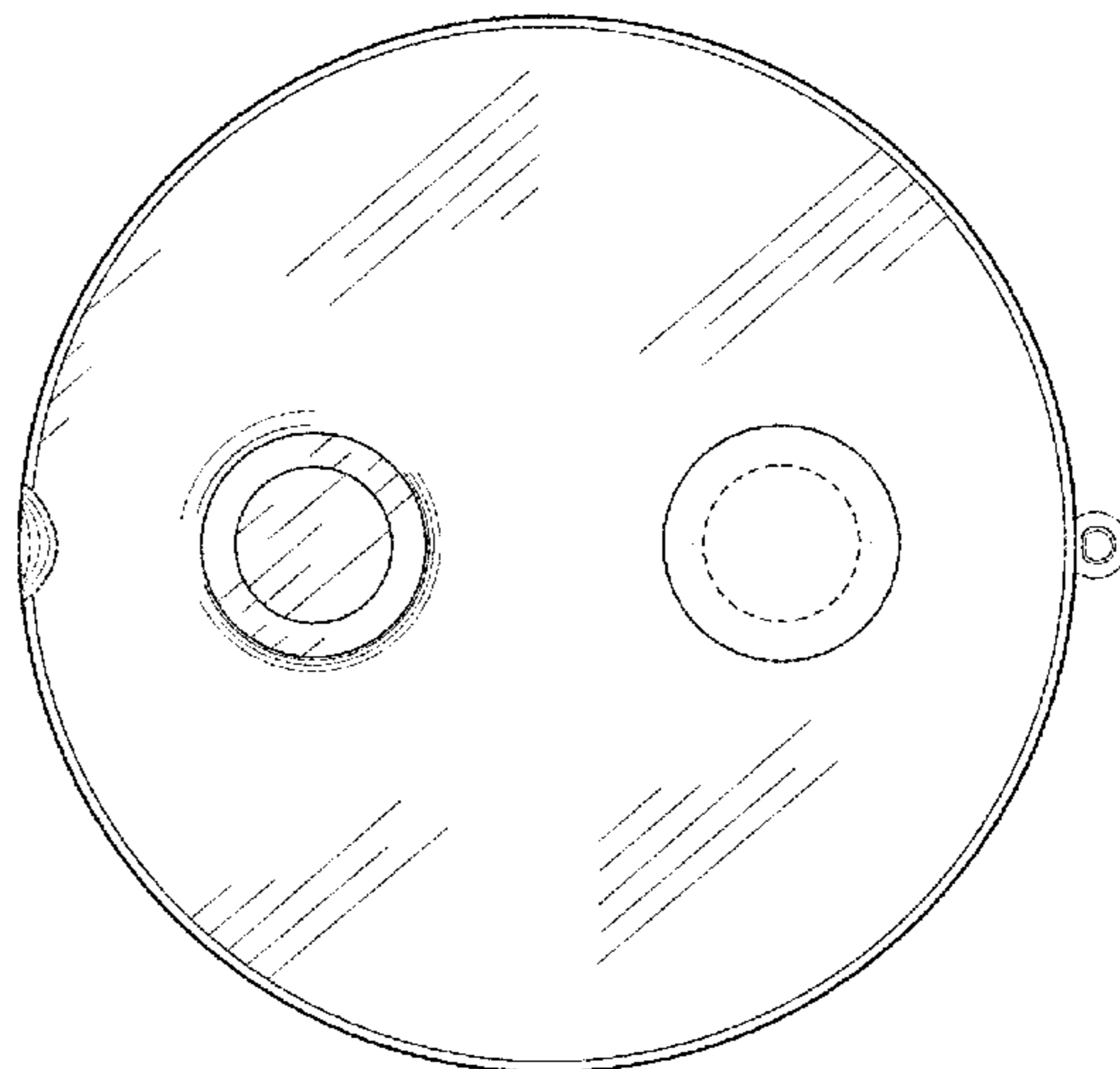
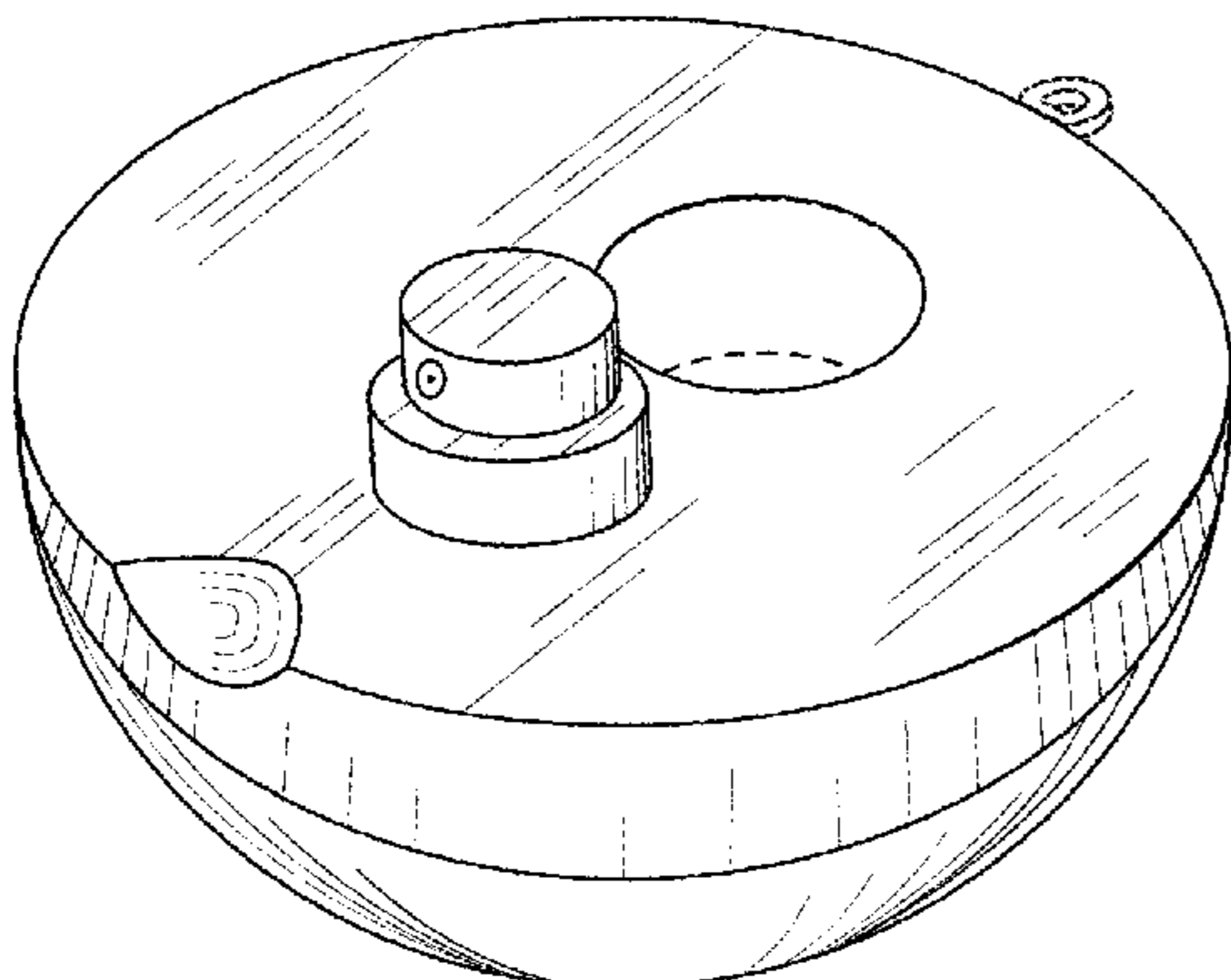
FIG. 5 is a right side elevational view thereof;

FIG. 6 bottom plan view thereof; and,

FIG. 7 is a top plan view thereof.

The broken lines shown in the drawing views are included for the purpose of illustrating portions of the design that form no part of the claimed design.

1 Claim, 3 Drawing Sheets



(56)

References Cited

U.S. PATENT DOCUMENTS

D514,939 S 2/2006 Miozzo
 D518,596 S * 4/2006 Angeletta D28/7
 D537,358 S * 2/2007 Donegan D9/661 X
 D543,848 S 6/2007 Mettler
 D544,350 S 6/2007 Mettler
 D553,996 S * 10/2007 Healy D9/519
 D564,900 S 3/2008 Green
 D573,026 S * 7/2008 Tsai D9/529 X
 D578,393 S * 10/2008 Canamasas Puigbo D9/500
 D588,007 S 3/2009 Limongi
 D596,950 S * 7/2009 Nevins D9/690
 D612,245 S 3/2010 Puigbo

D613,103 S * 4/2010 Misir D6/542
 D615,867 S * 5/2010 Sagaseki D9/558 X
 D626,000 S 10/2010 Chertoff
 D631,204 S * 1/2011 Dubitsky D28/82
 D644,939 S * 9/2011 Teller D9/726
 D657,252 S 4/2012 Crapser
 D681,278 S 4/2013 Schlatter
 D695,116 S 12/2013 Ahn
 D710,544 S * 8/2014 Shen D28/77
 D717,663 S * 11/2014 Karimirad D9/519
 D721,971 S 2/2015 Antretter
 D729,489 S * 5/2015 Bell D99/5
 2002/0008105 A1 * 1/2002 Herbstreit A01K 67/033
 220/4.25

* cited by examiner

FIG. 1

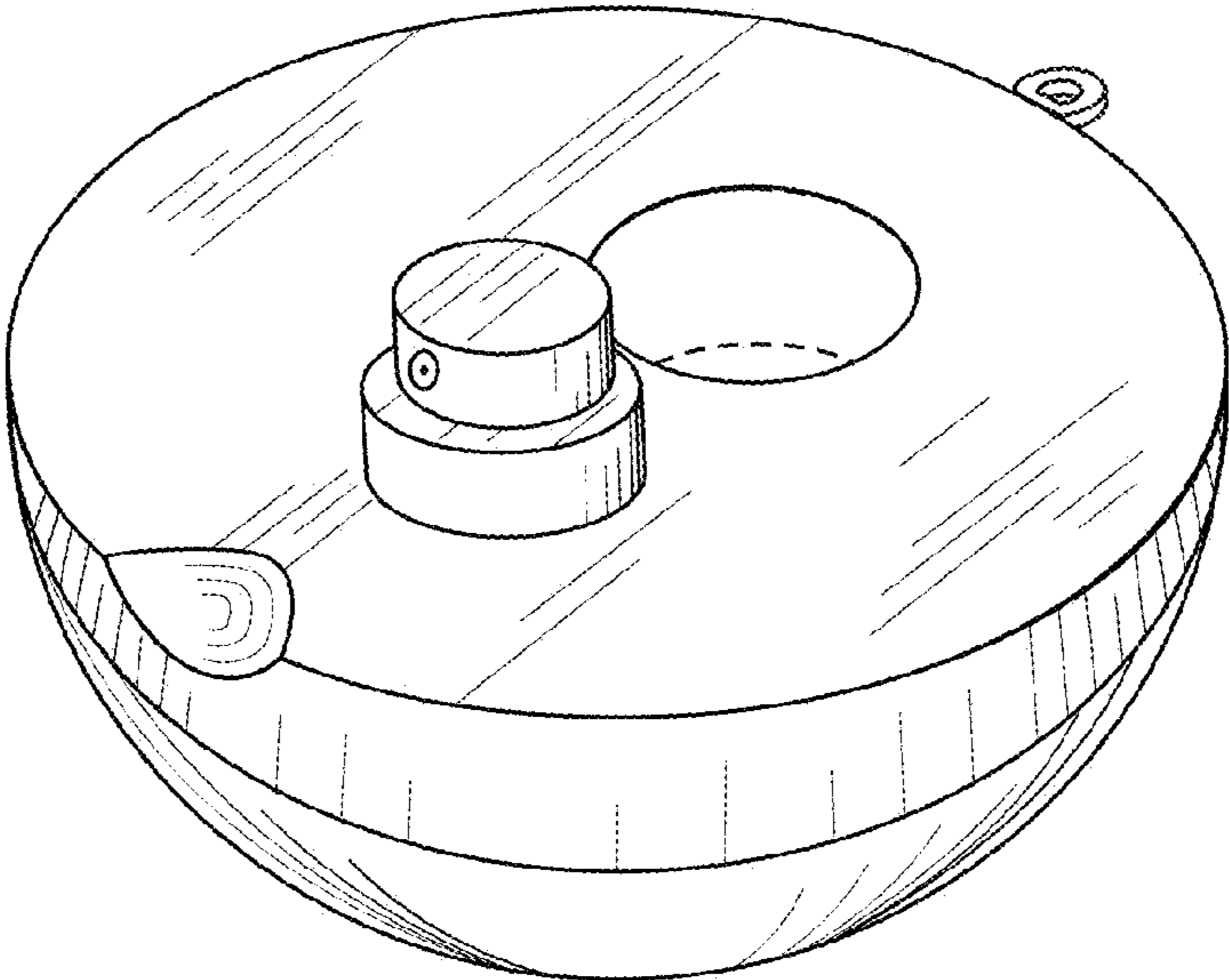


FIG. 2

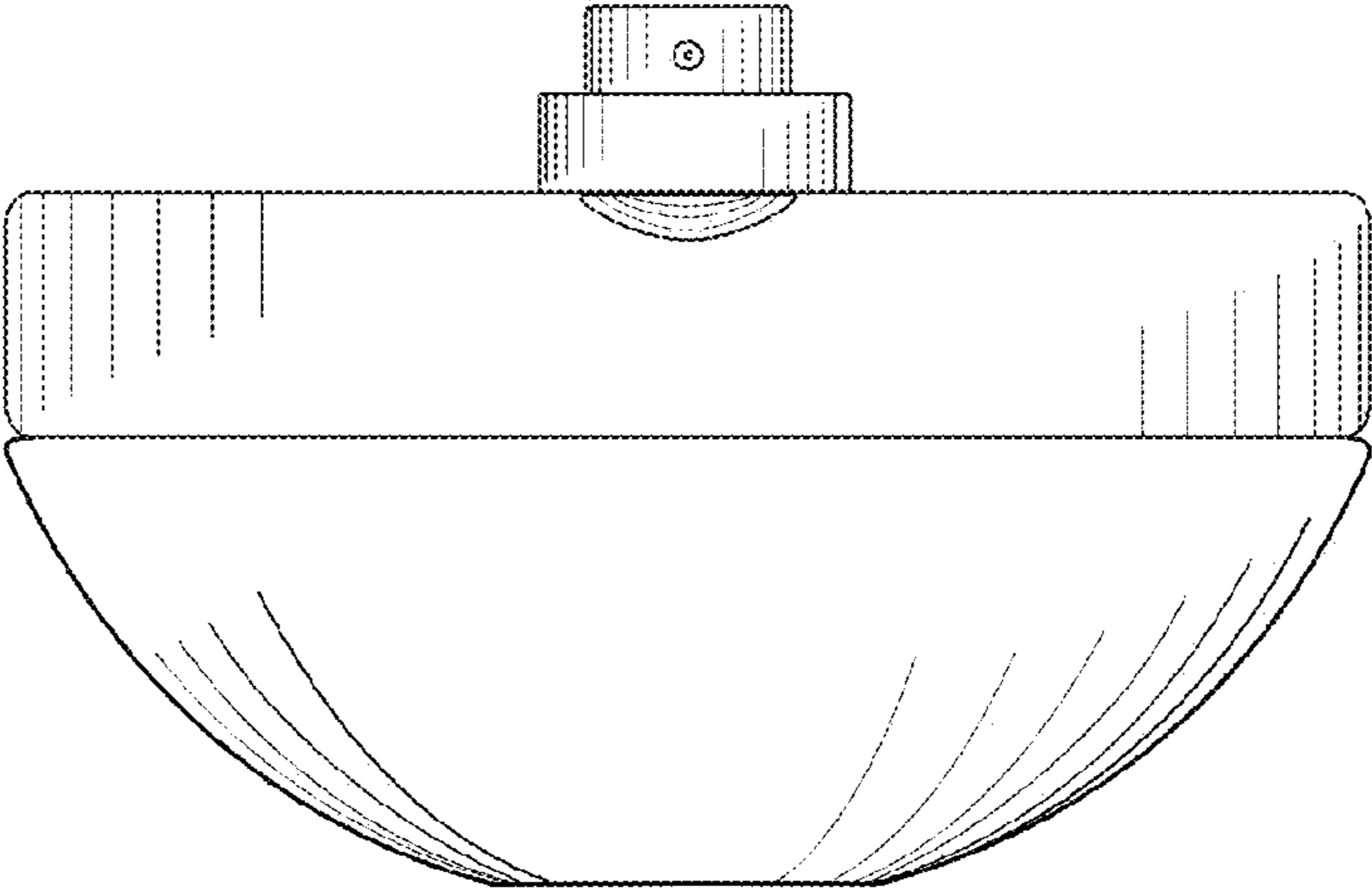


FIG. 3

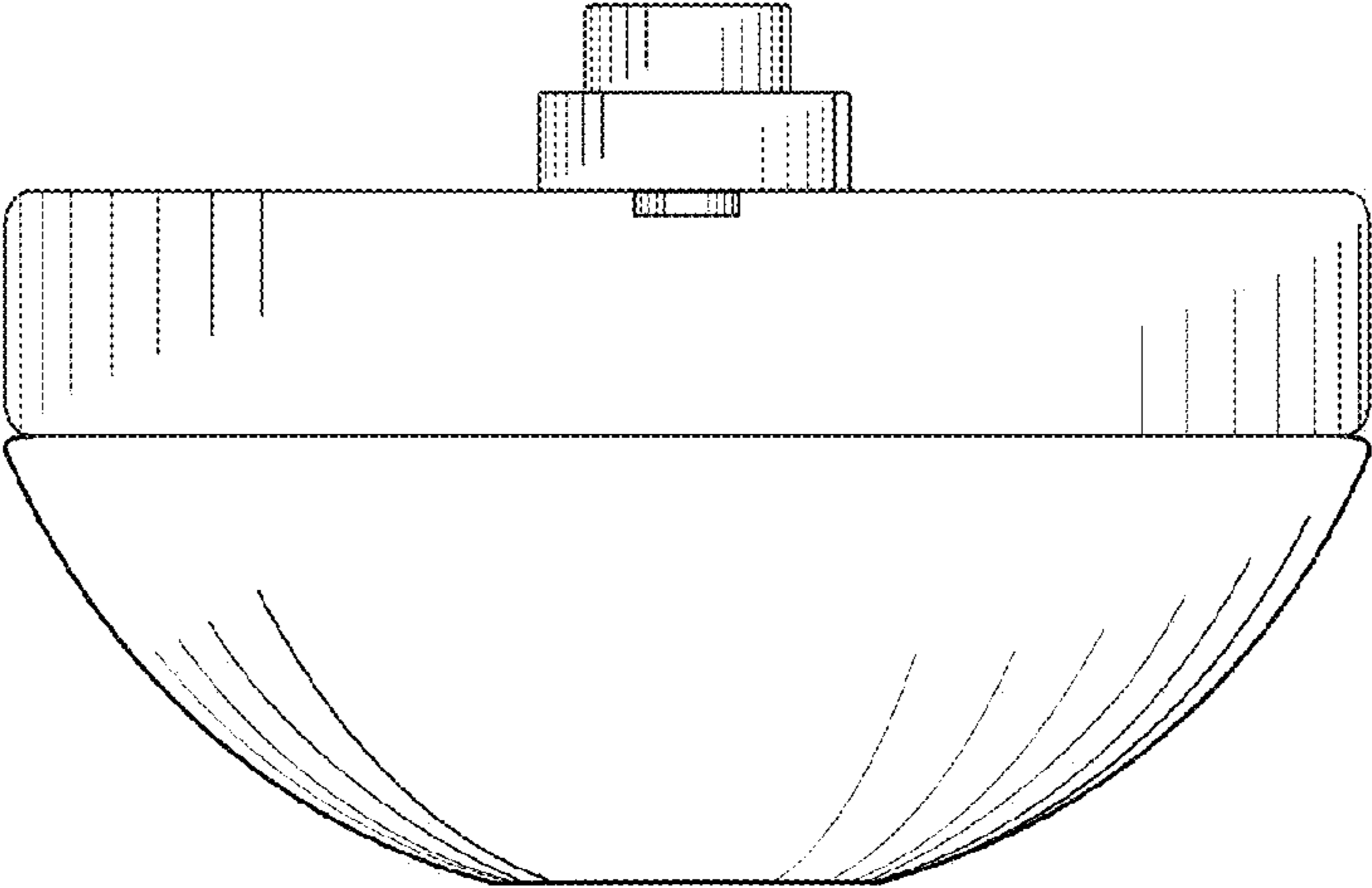


FIG. 4

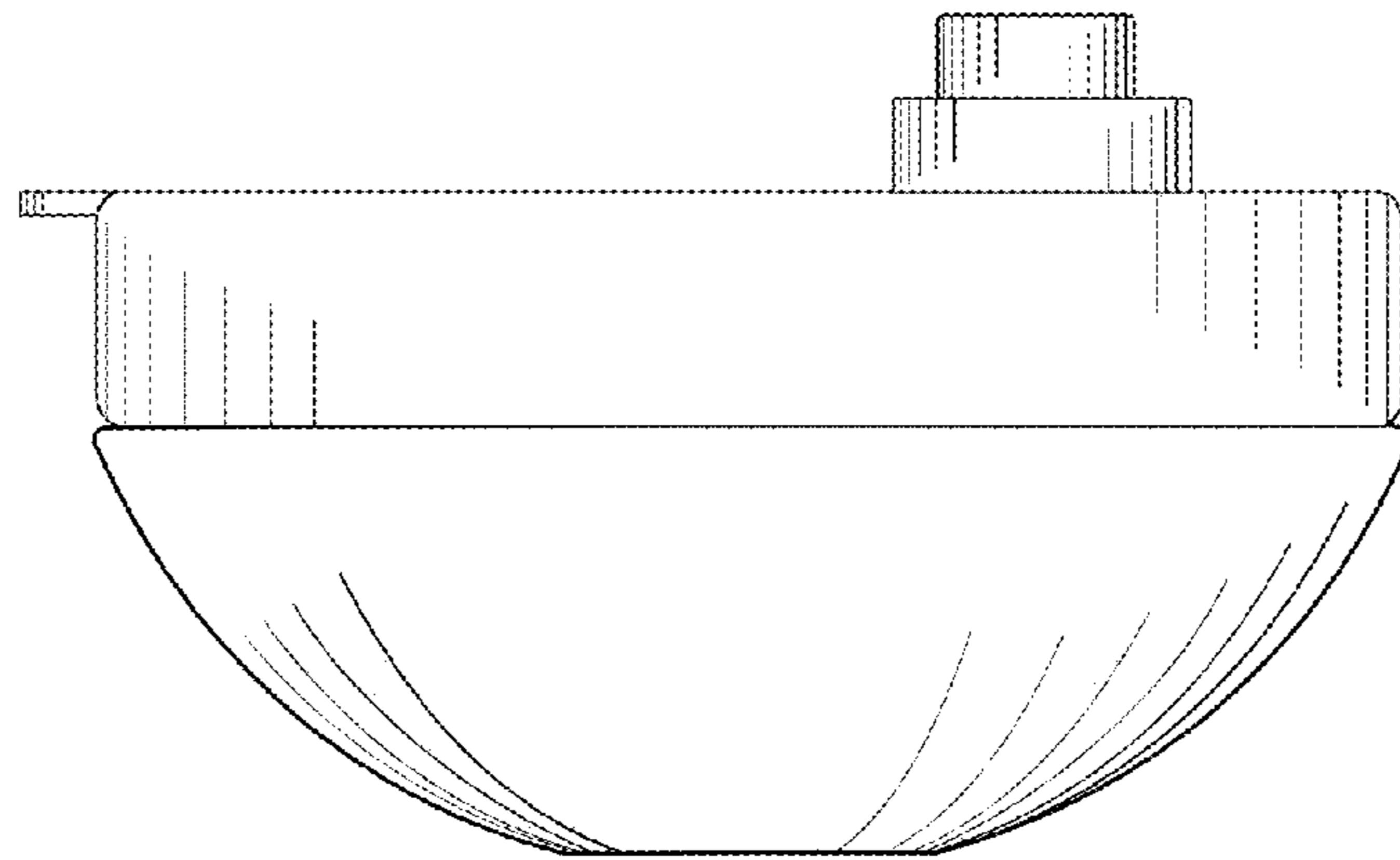


FIG. 5

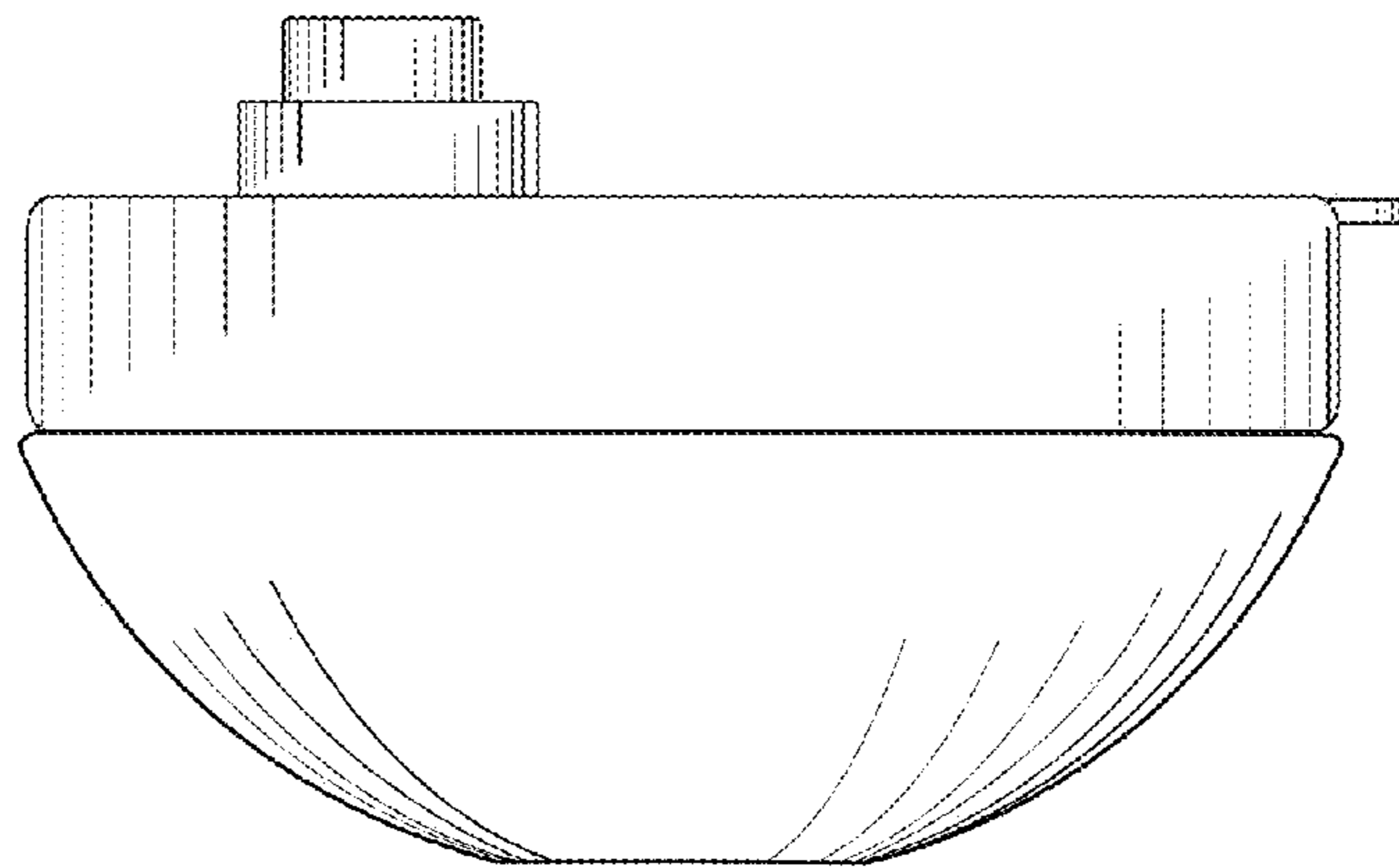


FIG. 6

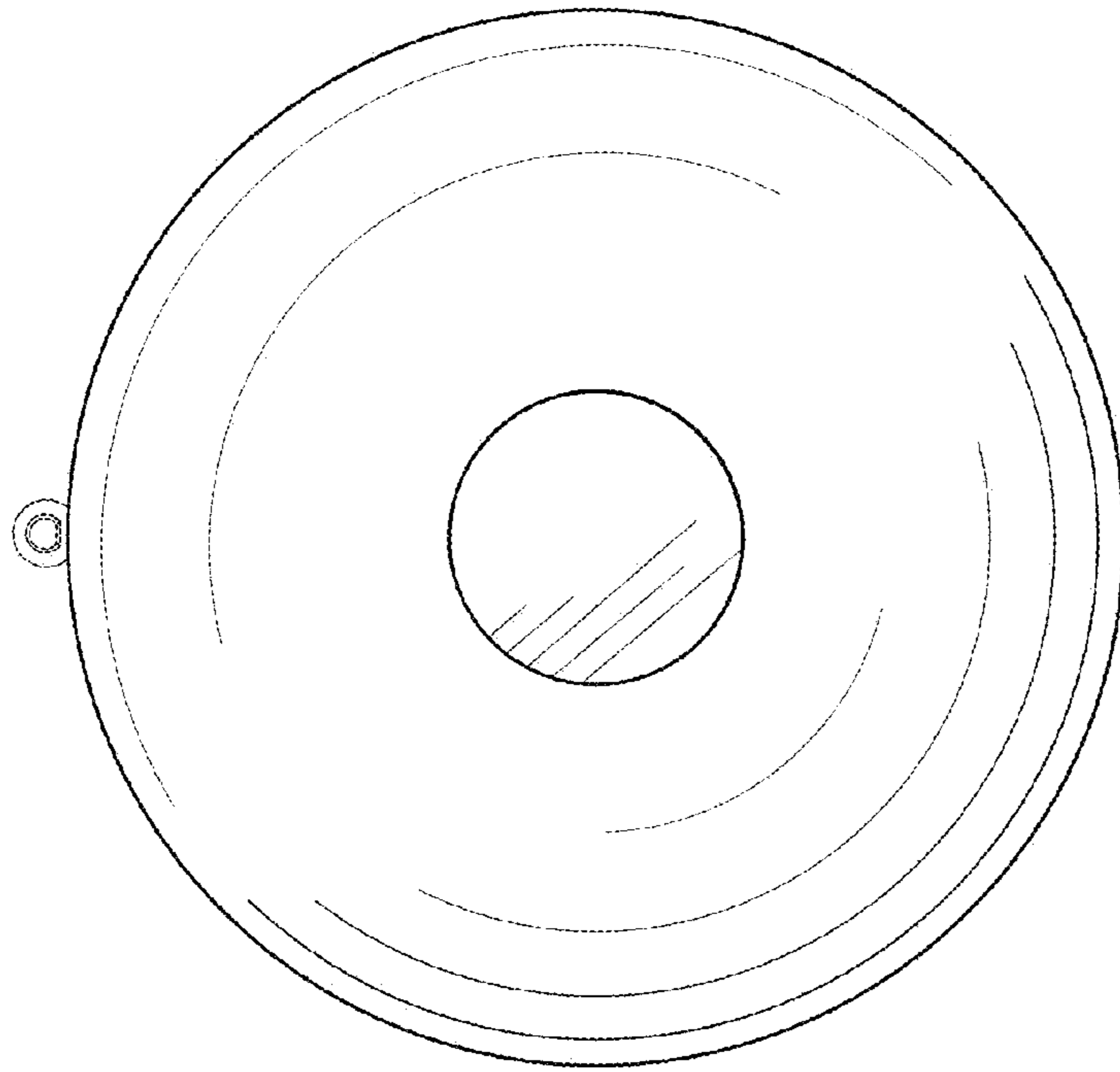


FIG. 7

