

US00D763098S

(12) **United States Design Patent**  
**Billen**

(10) **Patent No.:** **US D763,098 S**  
(45) **Date of Patent:** **\*\* Aug. 9, 2016**

- (54) **VEHICLE CARTON**
- (71) Applicant: **Kid Stuff Marketing, Inc.**, Topeka, KS (US)
- (72) Inventor: **William D. Billen**, Topeka, KS (US)
- (73) Assignee: **Kid Stuff Marketing, Inc.**, Topeka, KS (US)
- (\*\*) Term: **14 Years**
- (21) Appl. No.: **29/514,590**

4,804,133	A	2/1989	Kiyokane	
5,454,508	A	10/1995	Billen	
D374,175	S *	10/1996	Tesar	D9/675
5,622,256	A	4/1997	Tesar	
D386,399	S *	11/1997	Stokely	D9/675
D408,211	S *	4/1999	Cordell	D9/675
D531,516	S *	11/2006	Sellars	D9/675
D534,810	S *	1/2007	Sellars	D9/675
D536,260	S *	2/2007	Young	D9/675
D538,176	S *	3/2007	Wilburn	D9/675
D547,396	S	7/2007	Yaguchi	
7,317,573	B2	1/2008	Billen	
7,487,903	B2	2/2009	Billen	
7,654,441	B2	2/2010	Billen	
D638,305	S *	5/2011	Brogan	D9/675
8,511,537	B2	8/2013	Billen	

- (22) Filed: **Jan. 14, 2015**
- (51) **LOC (10) Cl.** ..... **09-01**
- (52) **U.S. Cl.**  
USPC ..... **D9/675; D21/551**
- (58) **Field of Classification Search**  
USPC ..... D3/270, 271.1-271.4; D7/514-520,  
D7/599, 604, 613, 619.2, 623, 628;  
D9/600, 572-577, 414, 418, 430-434;  
206/457, 459.5, 527; 215/387-388,  
215/381-384, 400; 229/150, 153, 116.4;  
220/890; D21/551  
CPC .... B65D 5/4258; B65D 81/60; B65D 81/365;  
B65D 81/366; B65D 81/368; B65D 2203/00;  
B65D 2203/02; A63H 33/16  
See application file for complete search history.

(56) **References Cited**

**U.S. PATENT DOCUMENTS**

979,812	A	12/1910	Warren	
1,330,654	A	2/1920	Alexander	
1,547,176	A	7/1925	Lazaron	
1,553,793	A	9/1925	Rozowsky	
2,118,821	A	5/1938	Ringler	
2,823,844	A	2/1958	Frankenstein	
3,224,660	A	12/1965	Willis	
D214,262	S *	5/1969	Paige	D9/675
4,055,250	A	10/1977	Mayhew	
D256,670	S *	9/1980	Fish	D9/675
4,643,349	A	2/1987	Sheffer	
4,646,959	A	3/1987	Sheffer	
4,661,082	A	4/1987	Sheffer	

**OTHER PUBLICATIONS**

40<sup>th</sup> Anniversary Ford Mustang Classic Cruisers Carton, dated Apr. 23, 2004 [www.toydirectory.com/month/toyshow/toyshow.asp?id=94](http://www.toydirectory.com/month/toyshow/toyshow.asp?id=94).\*

2007 QSR/FPI Foodservice Packaging Awards, date Oct. 23, 2007. [www.slideshare.net/purdy/2007-qsrspi-foodservice-packaging-awards](http://www.slideshare.net/purdy/2007-qsrspi-foodservice-packaging-awards).\*

Automobile Catalog, <http://www.automobile-catalog.com/photo/1958/293750/83510.html>, Buick Series 60 Century Convertible Variable-Pitch-Dynaflow (1958), GM Corp. Undated.

\* cited by examiner

*Primary Examiner* — Sandra Morris  
(74) *Attorney, Agent, or Firm* — Erickson Kernell IP, LLC

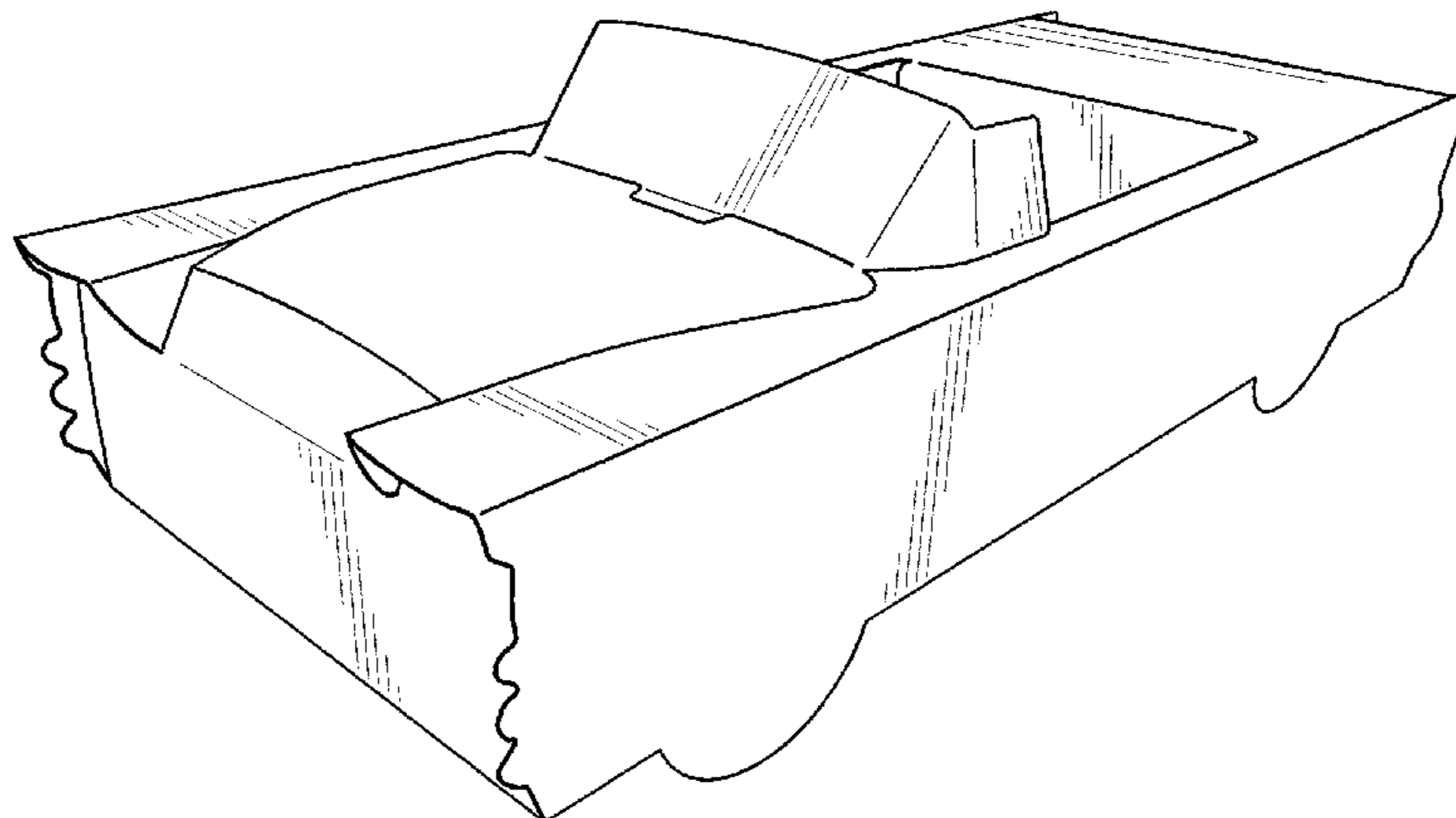
(57) **CLAIM**

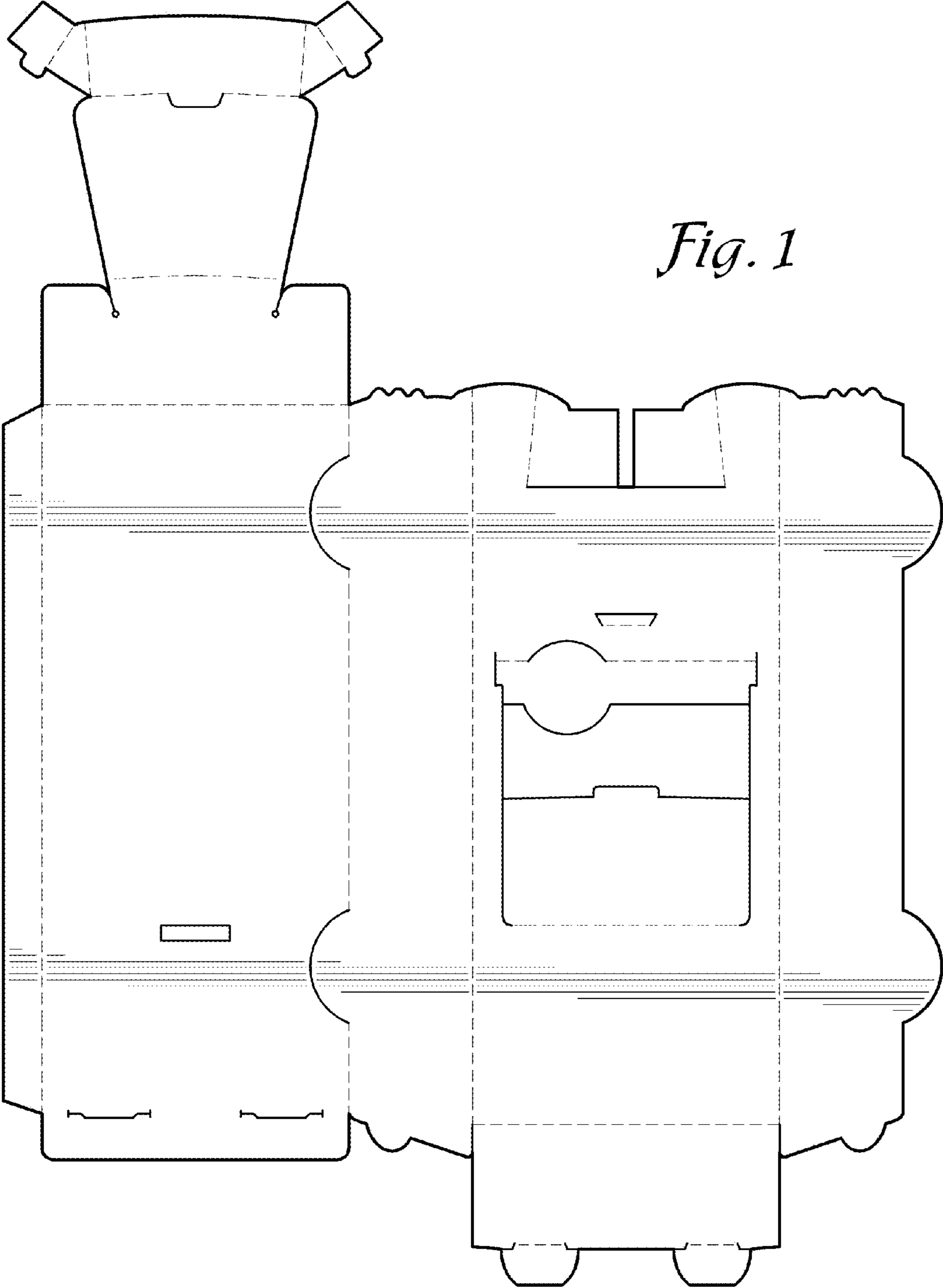
The ornamental design for a vehicle carton, as shown and described.

**DESCRIPTION**

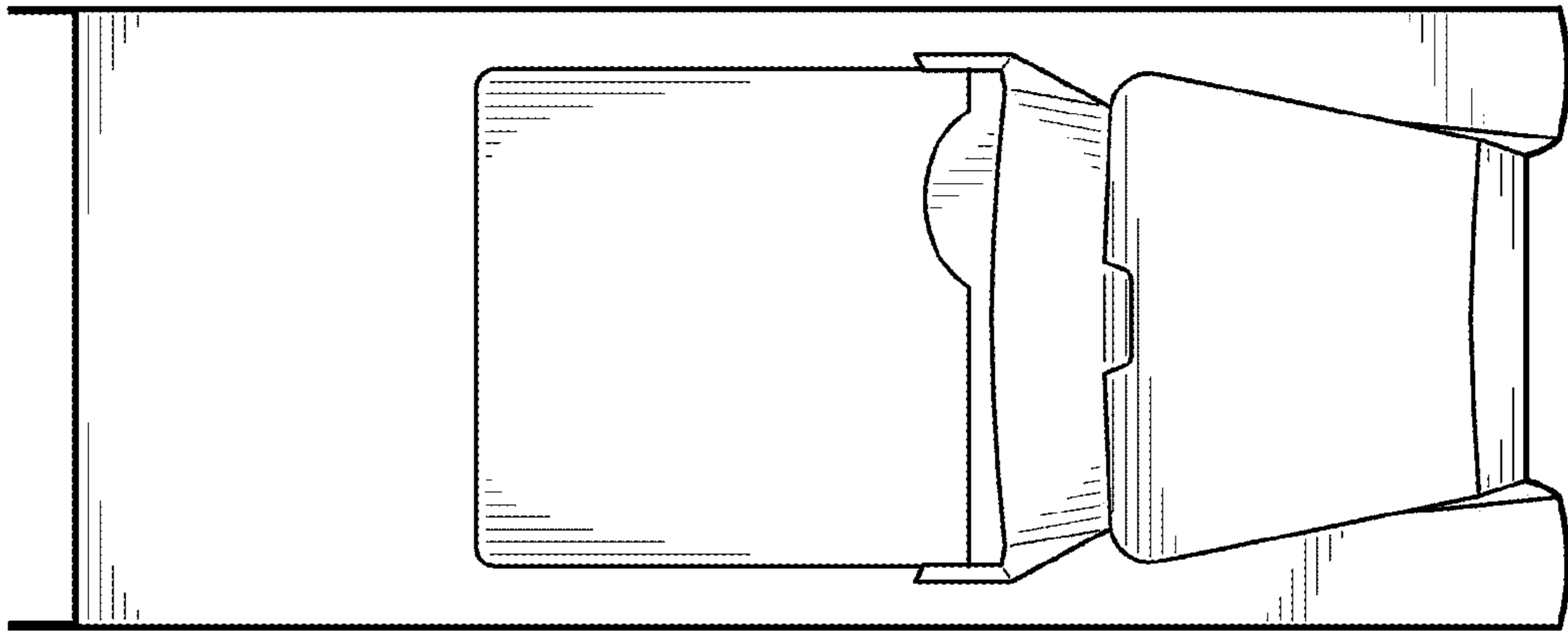
FIG. 1 flat unfolded view of an ornamental design for a vehicle carton;  
FIG. 2 is an assembled top view thereof;  
FIG. 3 is an assembled bottom view thereof;  
FIG. 4 is an assembled side view thereof;  
FIG. 5 is an assembled front end view thereof;  
FIG. 6 is an assembled rear end view thereof; and,  
FIG. 7 is a perspective view thereof.  
The broken lines in FIG. 1 depict fold lines illustrated in the other figures as solid lines when folded.

**1 Claim, 3 Drawing Sheets**

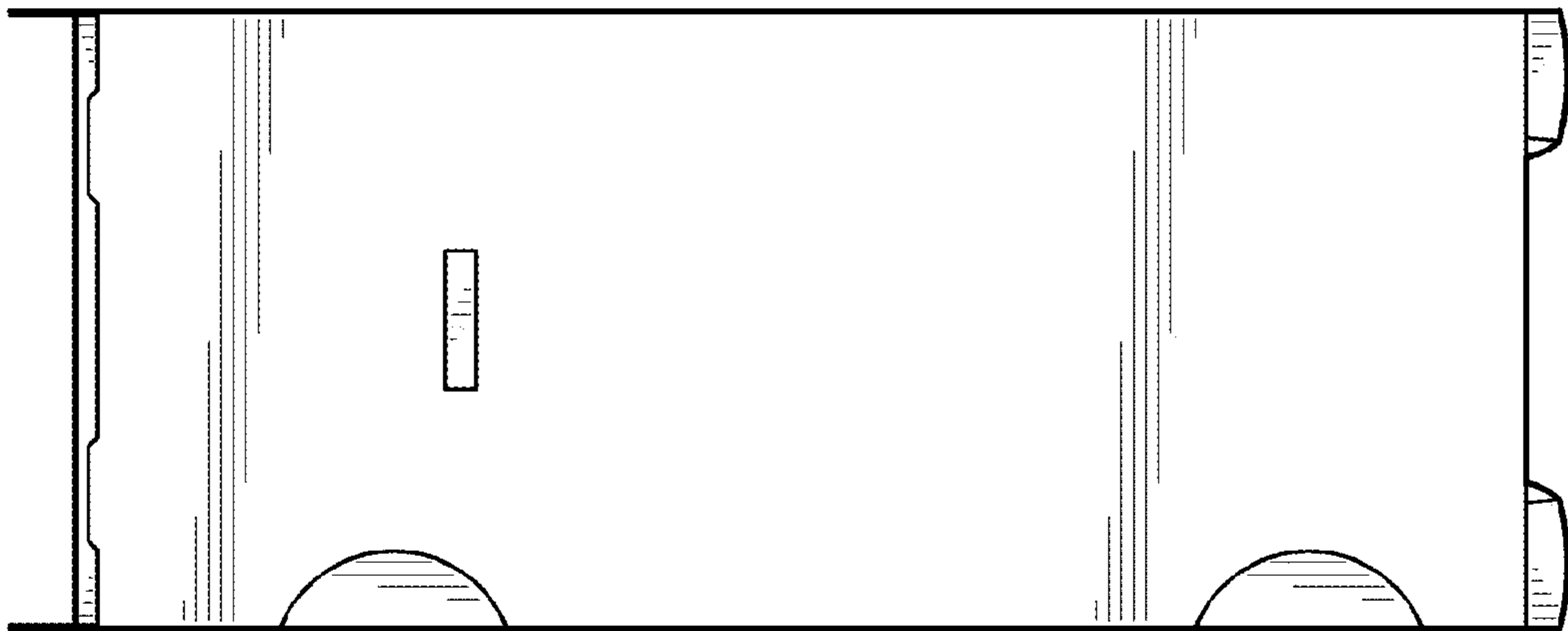




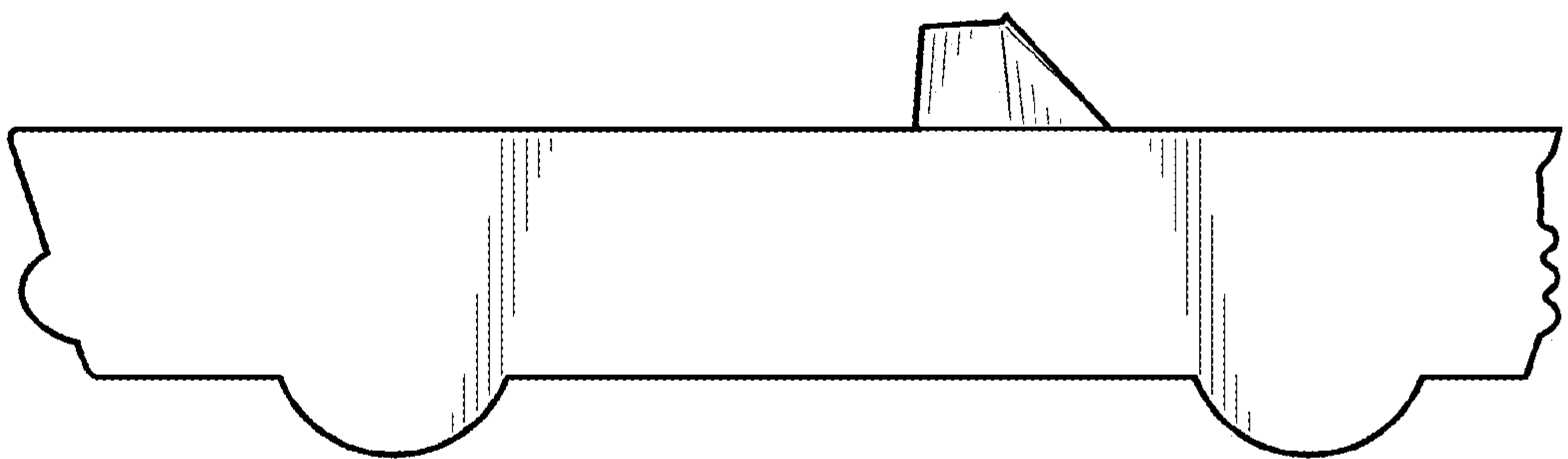
*Fig. 1*



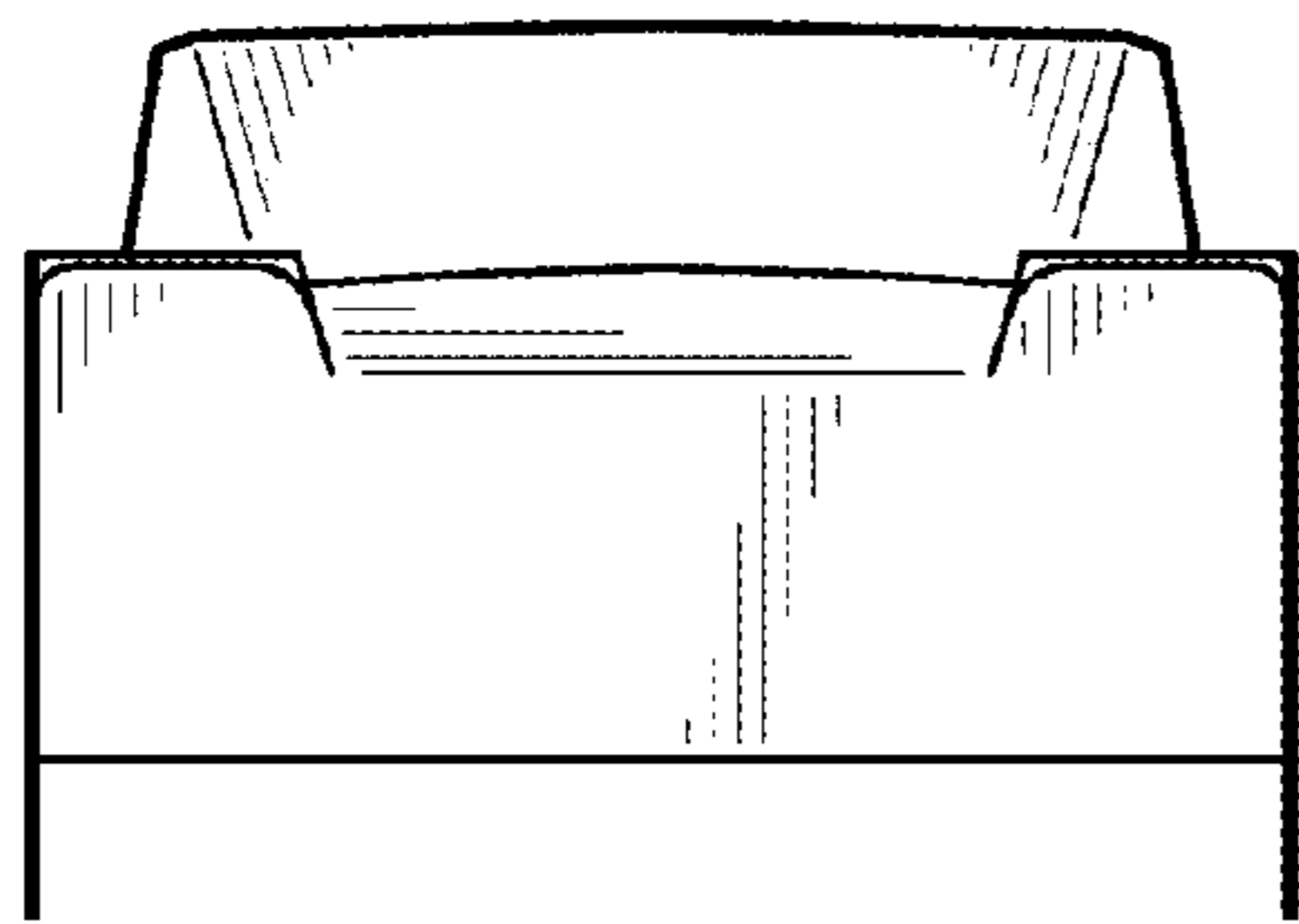
*Fig. 2*



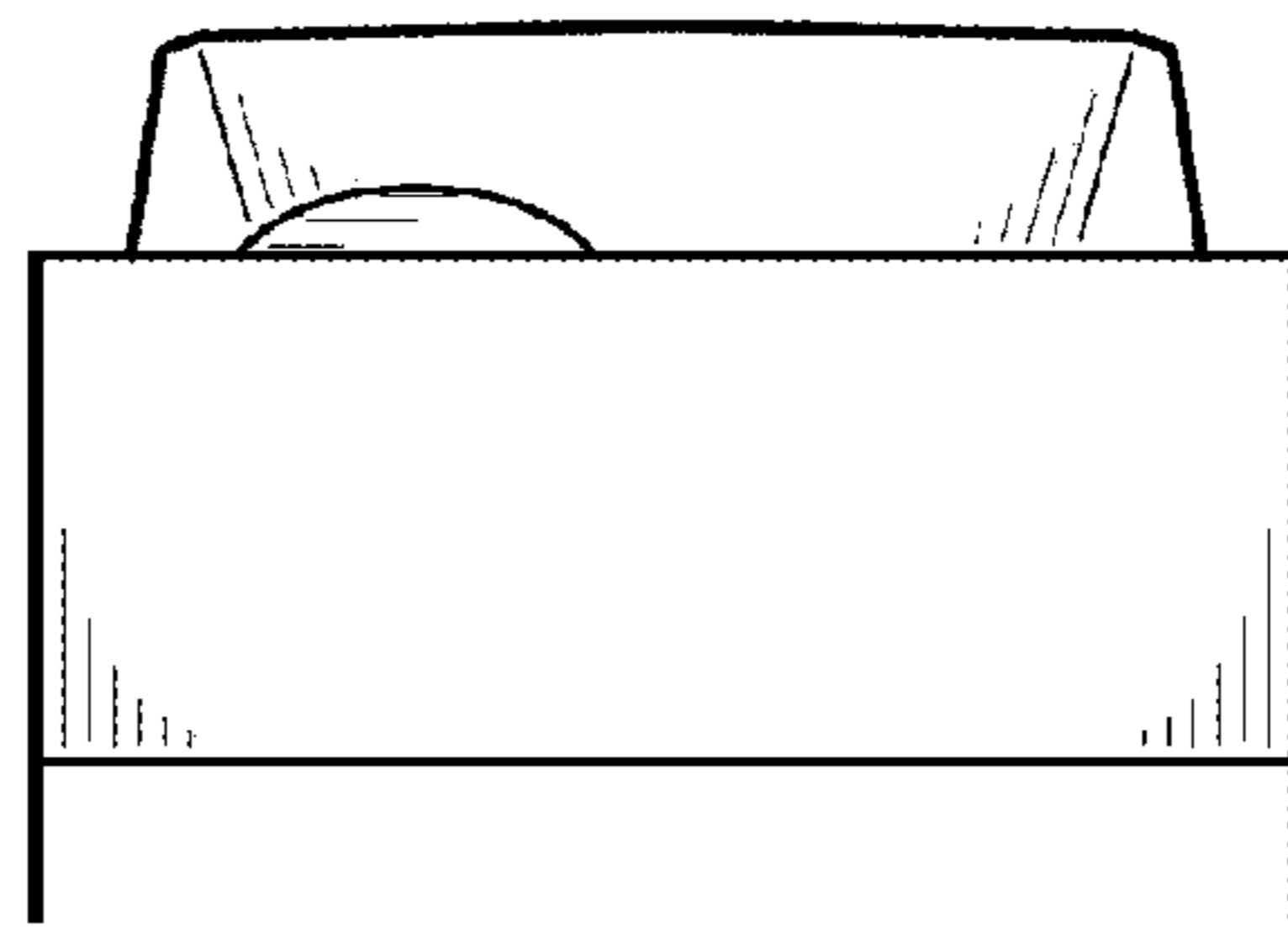
*Fig. 3*



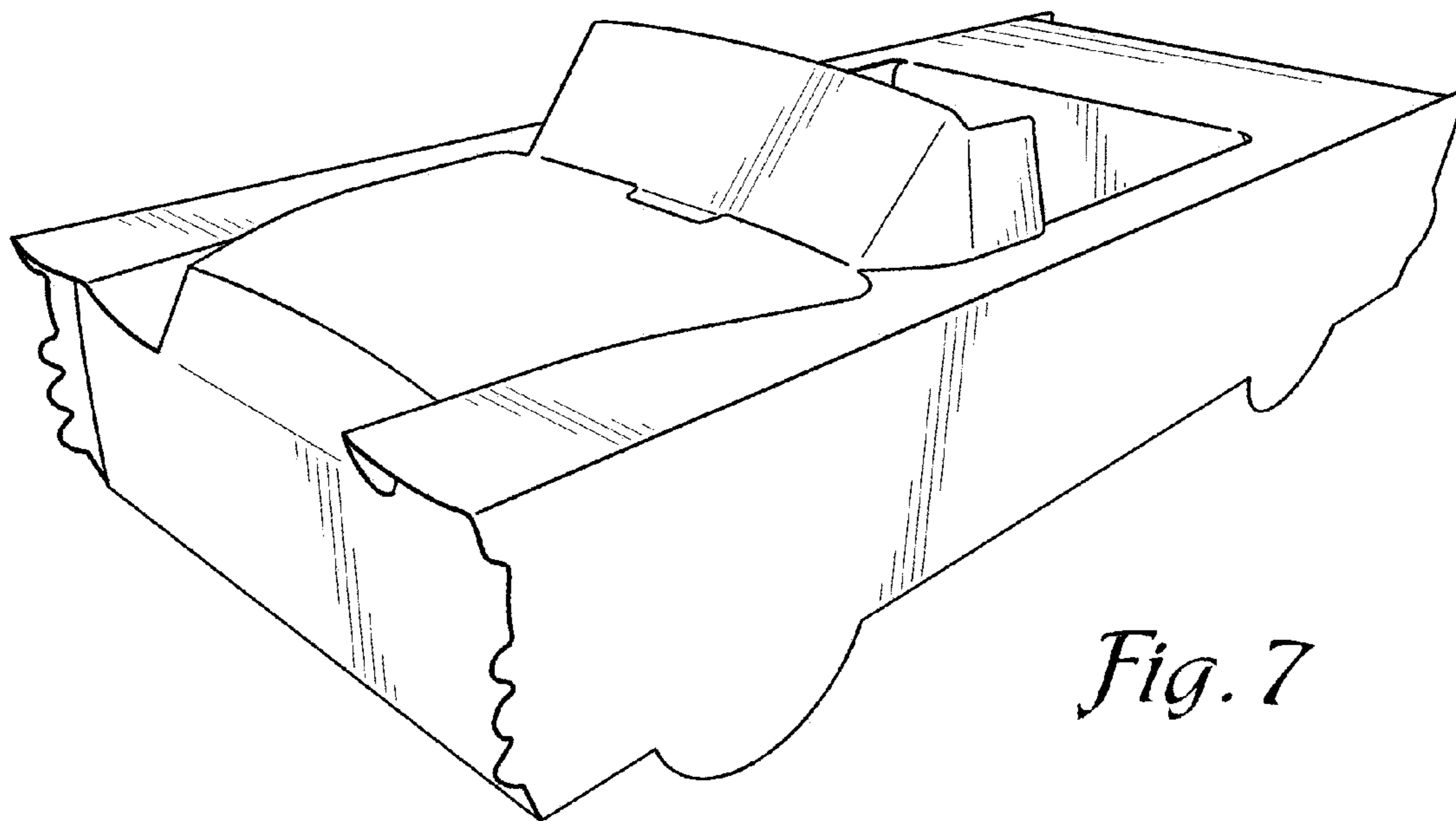
*Fig. 4*



*Fig. 5*



*Fig. 6*



*Fig. 7*