



US00D763095S

(12) **United States Design Patent**
Monteparo

(10) **Patent No.:** **US D763,095 S**

(45) **Date of Patent:** **** Aug. 9, 2016**

(54) **BOTTLE**

(56)

References Cited

(71) Applicant: **Victoria's Secret Stores Brand Management, Inc.**, Reynoldsburg, OH (US)

(72) Inventor: **Sandra Monteparo**, Brooklyn, NY (US)

(73) Assignee: **Victoria's Secret Stores Brand Management, Inc.**, Reynoldsburg, OH (US)

(**) Term: **14 Years**

(21) Appl. No.: **29/526,498**

(22) Filed: **May 11, 2015**

(51) **LOC (10) Cl.** **09-01**

(52) **U.S. Cl.**
USPC **D9/635; D9/694; D9/559; D9/574**

(58) **Field of Classification Search**
USPC D9/600, 635, 682, 686-687, 694, D9/500-505, 516, 544, 549-575; 206/457, 206/494, 459.5, 527, 540; 229/116.1; 446/77; 215/381-384, 400; D7/514-516, 539, 544, 571, 579, 604, D7/613, 619.2, 628-630, 391-392.1; D3/270-271.3
CPC B65D 67/00; B65D 81/36; B65D 81/60; B65D 81/368; B65D 2203/00; B65D 2203/02; A63H 33/16
See application file for complete search history.

U.S. PATENT DOCUMENTS

D336,036 S *	6/1993	Wacker	D9/544
D511,688 S *	11/2005	Baron	D9/560
D606,875 S *	12/2009	Vila	D9/544
D633,806 S *	3/2011	Lecoule	D9/544
D654,369 S *	2/2012	Del Cerro	D9/635
D675,104 S *	1/2013	Chen	D9/687
D680,004 S *	4/2013	Lecetre	D9/544
D682,704 S *	5/2013	Reynolds	D9/544
D686,371 S *	7/2013	Moschitto	D9/694
D696,591 S *	12/2013	Chertoff	D9/682
D711,747 S *	8/2014	Lloyd	D9/635

* cited by examiner

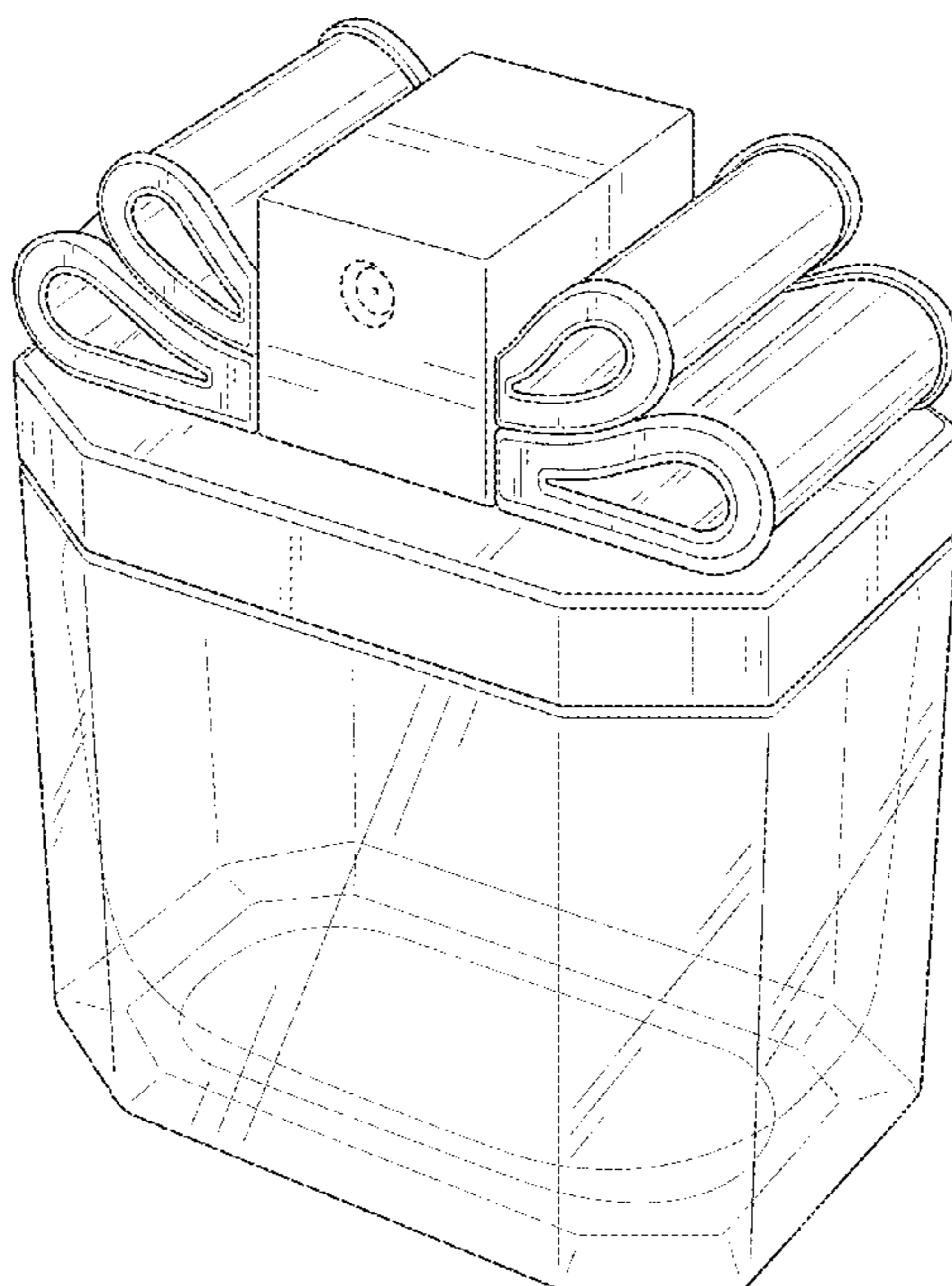
Primary Examiner — Sandra Morris
(74) *Attorney, Agent, or Firm* — Andrus Intellectual Property Law, LLP

(57) **CLAIM**
The ornamental design for a bottle, as shown and described.

DESCRIPTION

FIG. 1 is a front perspective view of a bottle according to my new and ornamental design;
FIG. 2 is a front view thereof;
FIG. 3 is a back view thereof;
FIG. 4 is a left side view thereof;
FIG. 5 is a right side view thereof;
FIG. 6 is a top view thereof;
FIG. 7 is a bottom view thereof; and,
FIG. 8 is a bottom perspective view thereof.
The broken lines in the drawings are directed to environment and are for illustrative purposes only; the broken lines form no part of the claimed design.

1 Claim, 8 Drawing Sheets



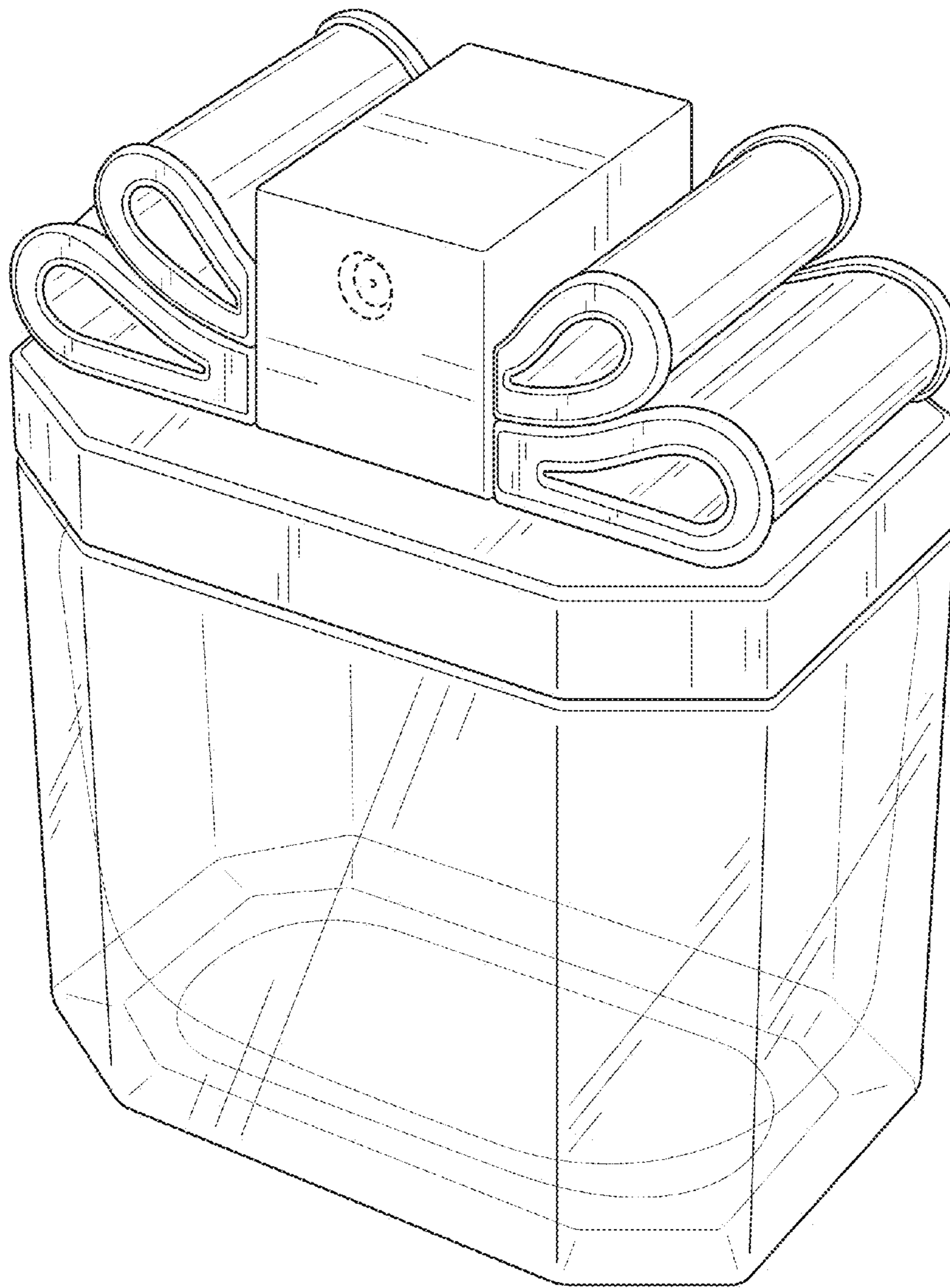


FIG. 1

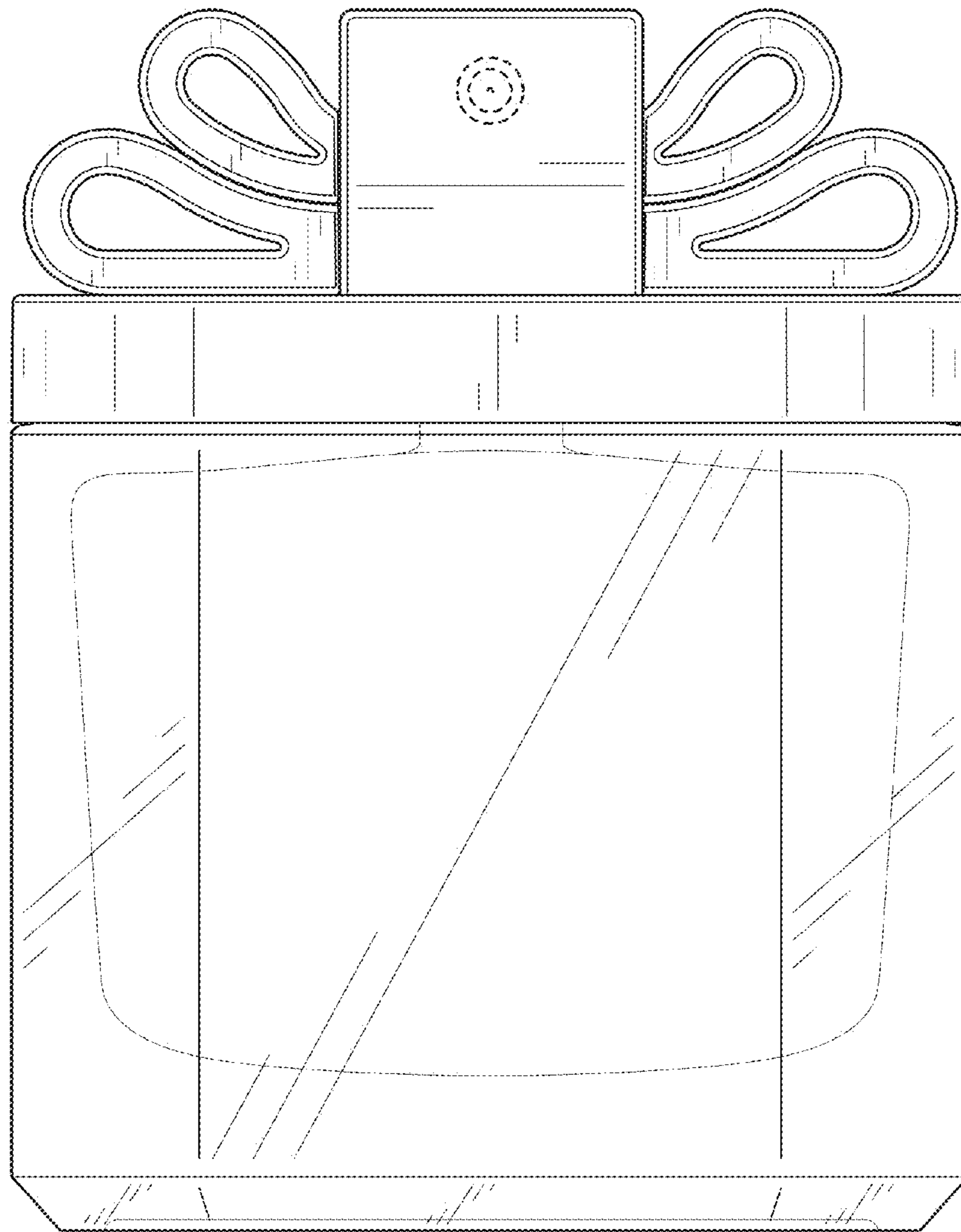


FIG. 2

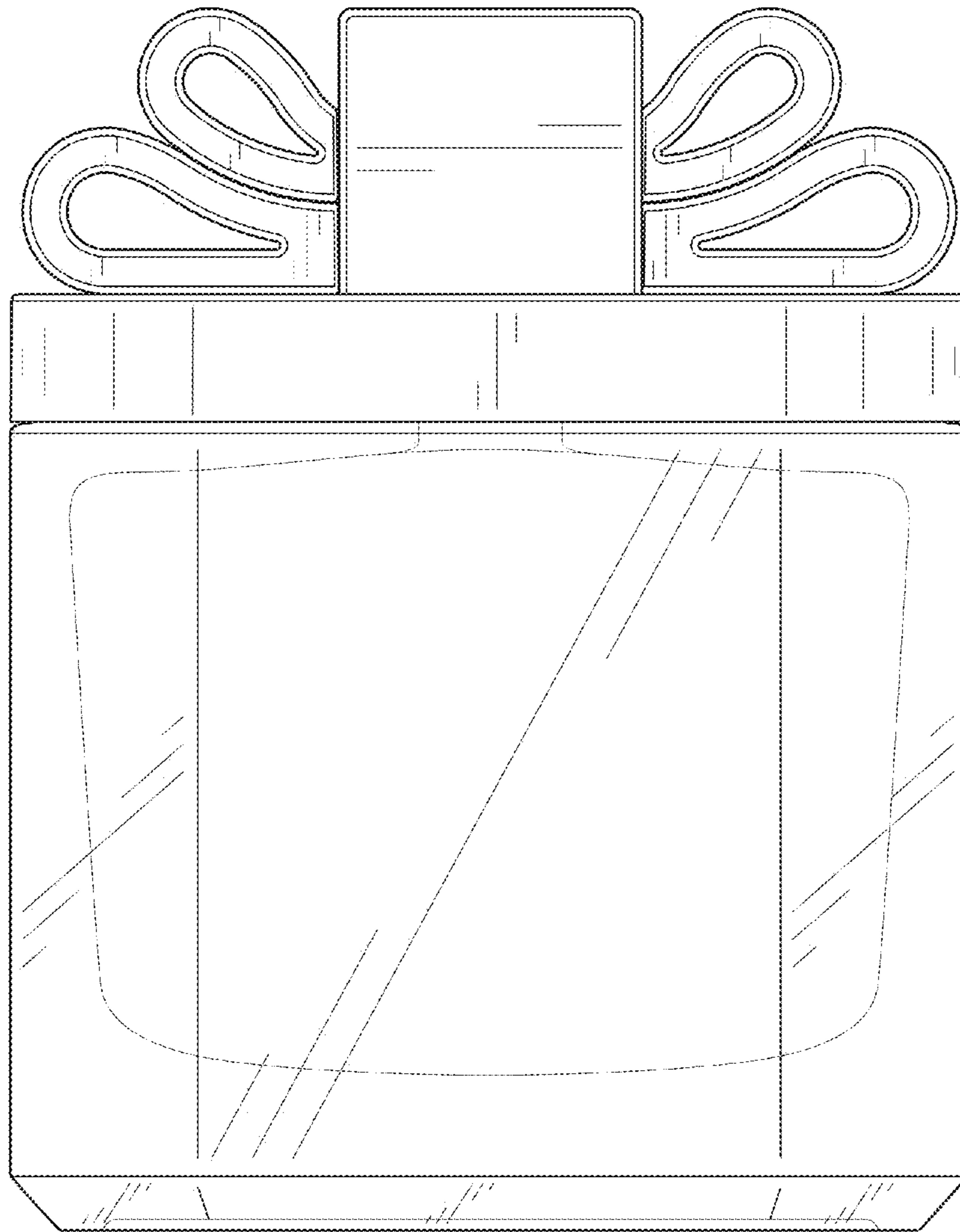


FIG. 3

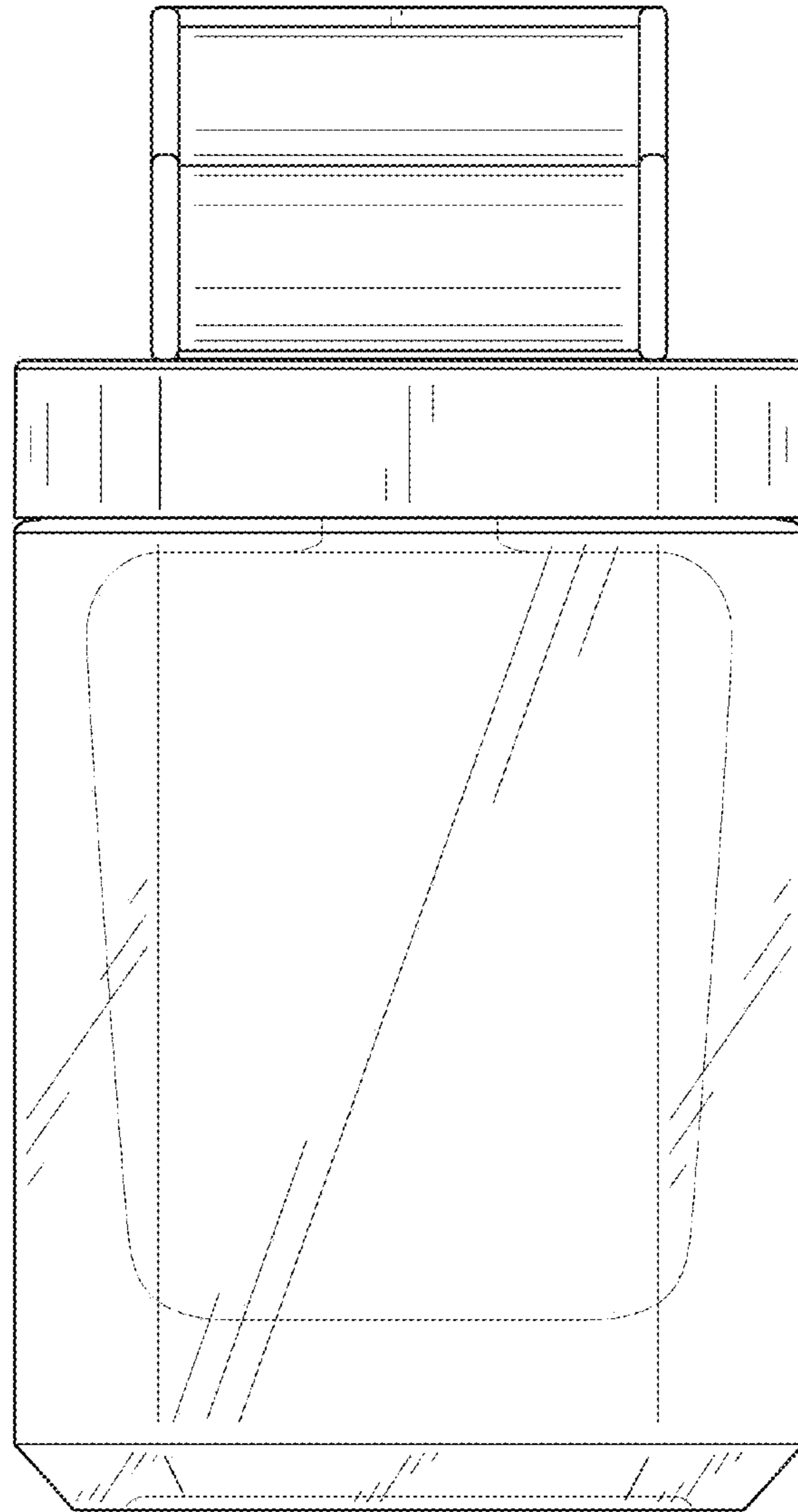


FIG. 4

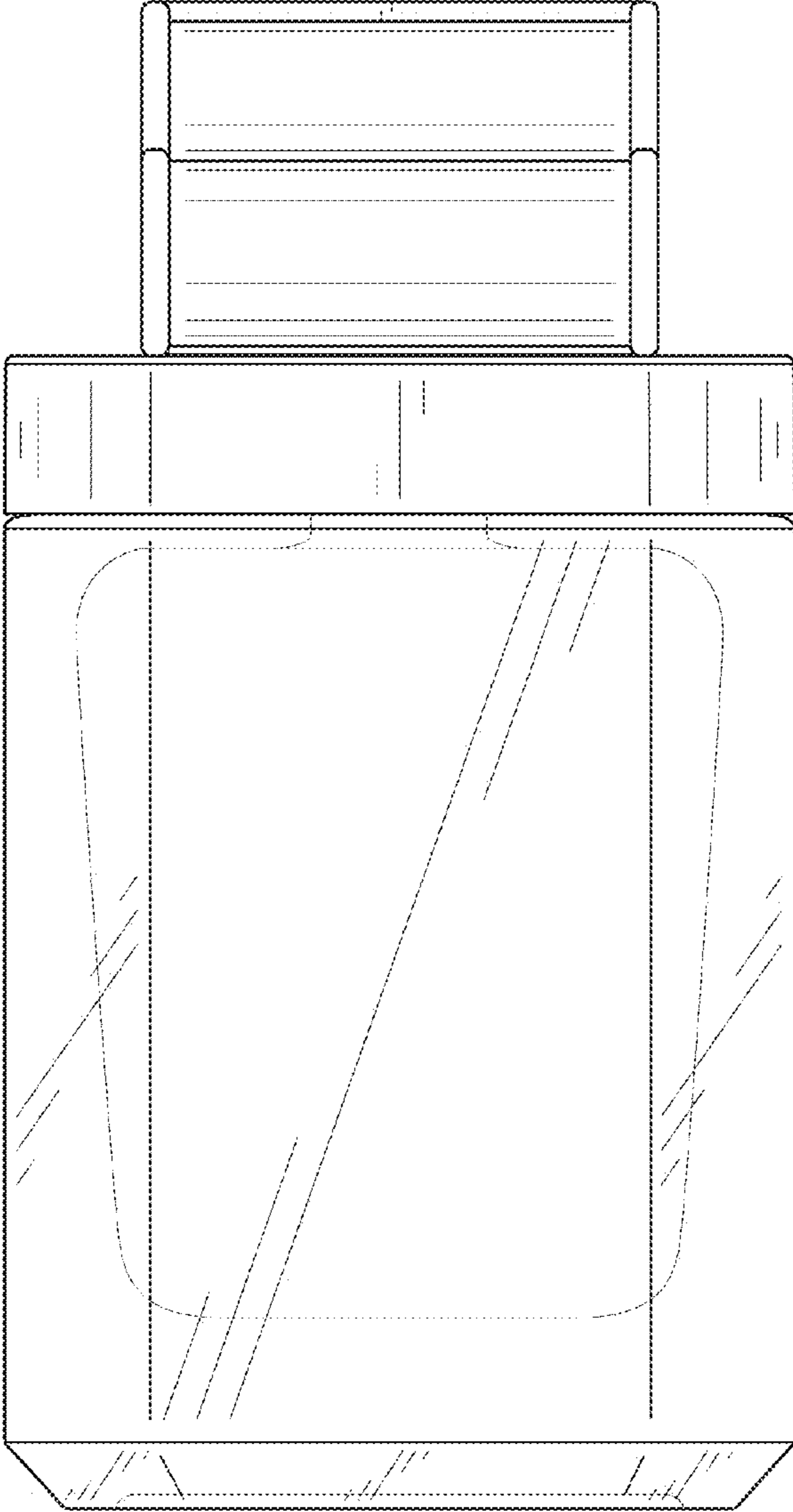


FIG. 5

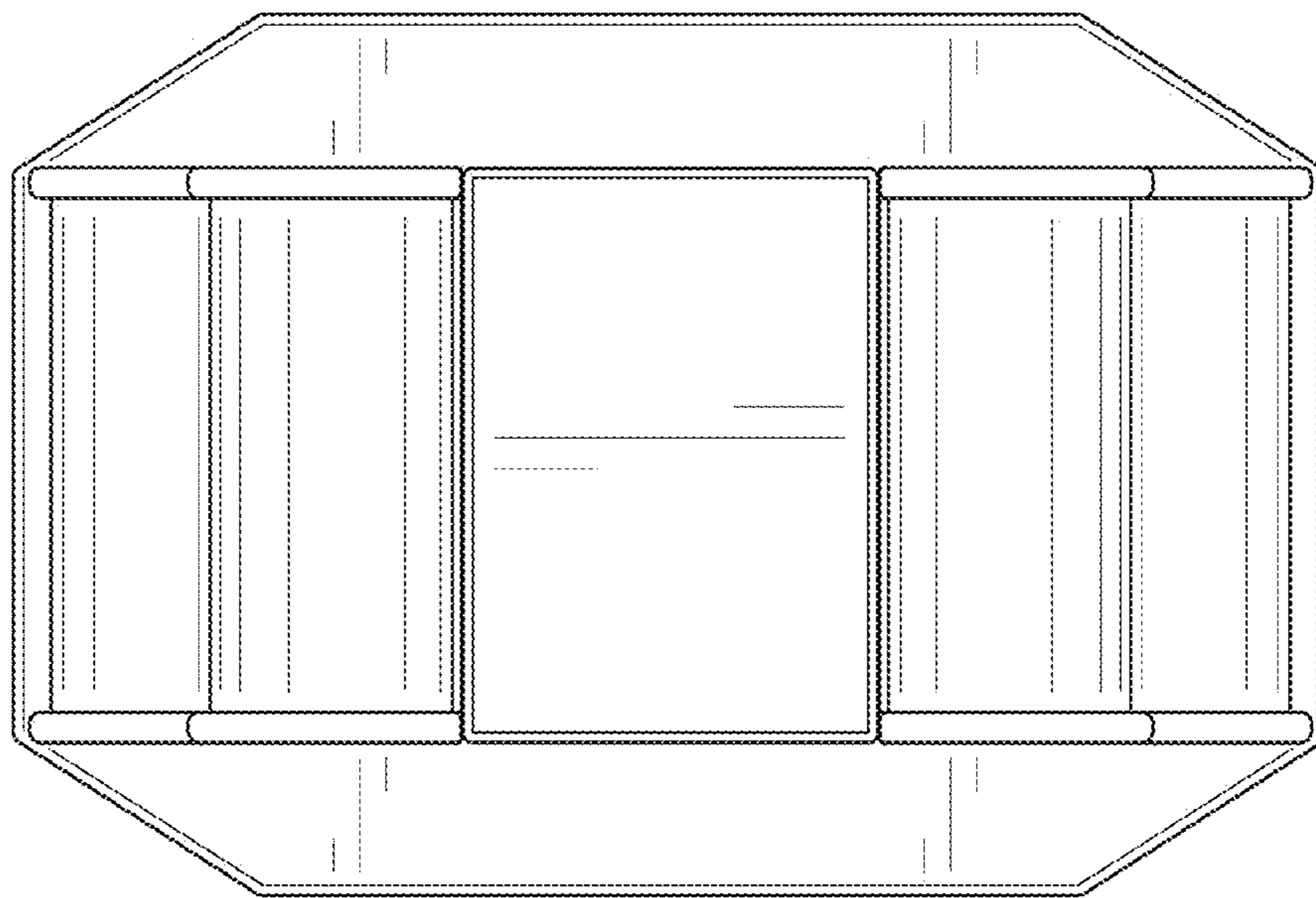


FIG. 6

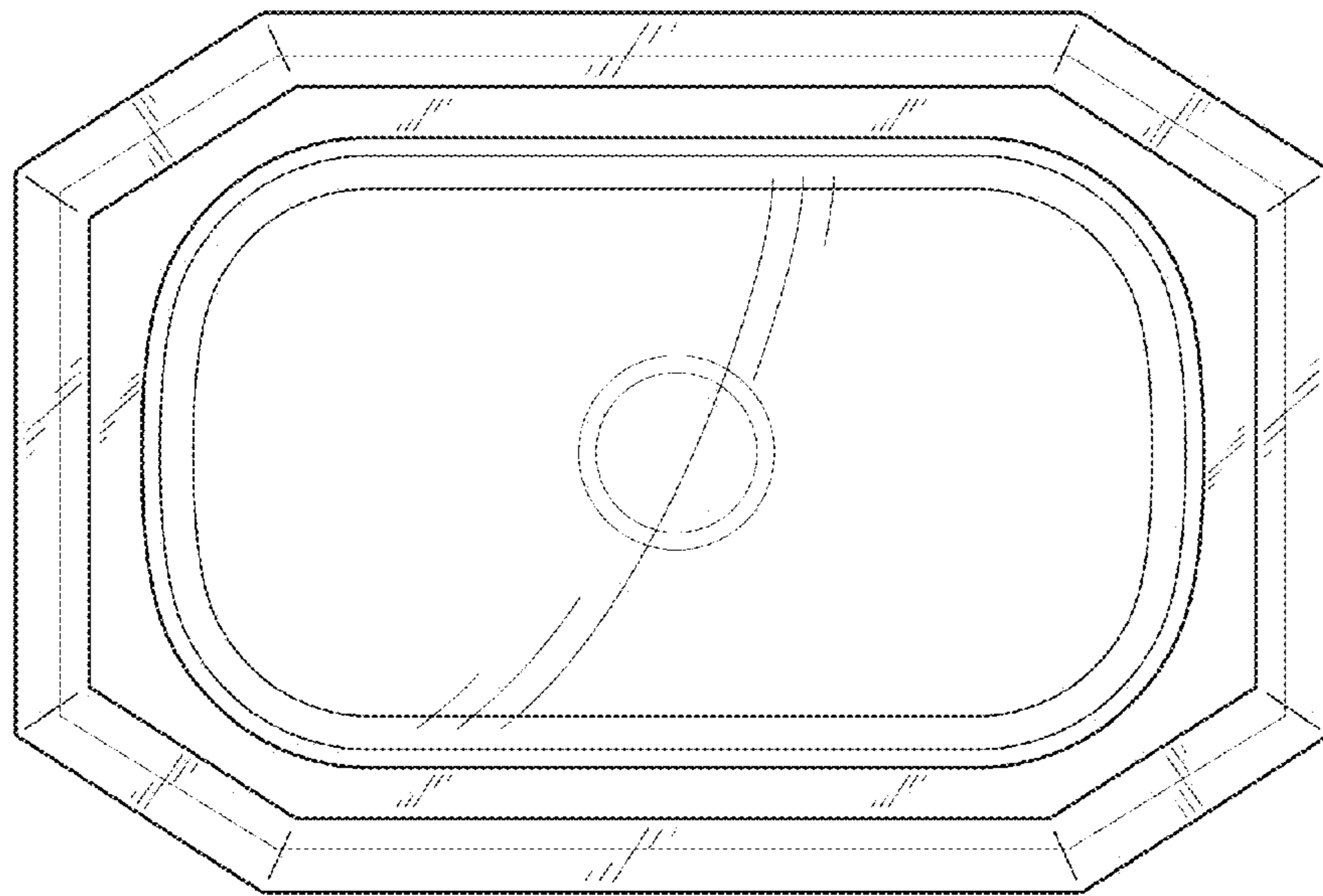


FIG. 7

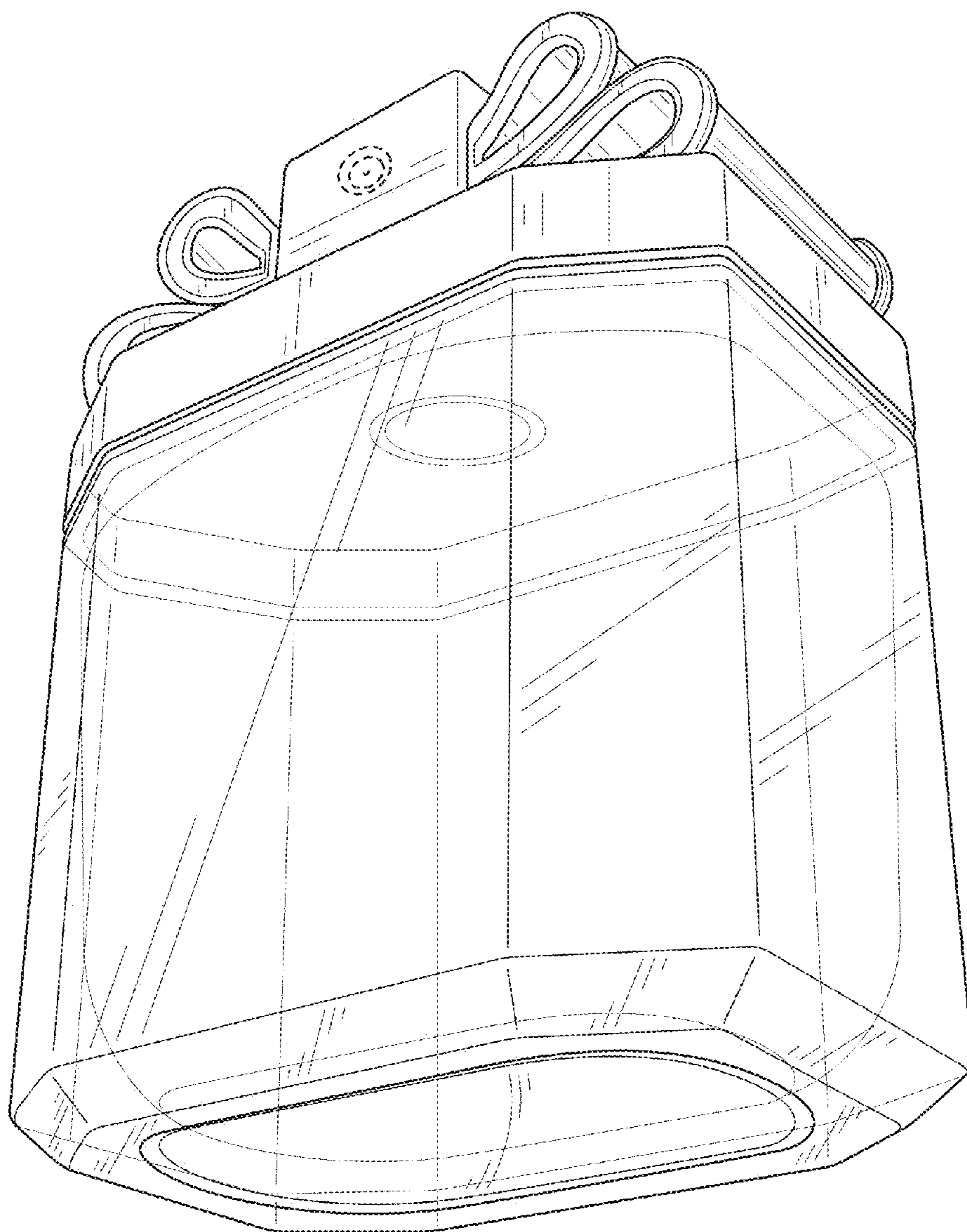


FIG. 8