



US00D763094S

(12) **United States Design Patent**  
**Aussel**

(10) **Patent No.:** **US D763,094 S**  
(45) **Date of Patent:** **\*\* Aug. 9, 2016**

(54) **BOTTLE**

(71) Applicant: **Stephane Aussel**, Jarnac (FR)

(72) Inventor: **Stephane Aussel**, Jarnac (FR)

(73) Assignee: **Thomas Hine & Co.**, Jarnac (FR)

(\*\*) Term: **14 Years**

(21) Appl. No.: **29/462,199**

(22) Filed: **Jul. 31, 2013**

(30) **Foreign Application Priority Data**

Feb. 1, 2013 (FR) ..... 13 0515

(51) **LOC (10) Cl.** ..... **09-01**

(52) **U.S. Cl.**  
USPC ..... **D9/574**; D9/454; D9/544

(58) **Field of Classification Search**  
USPC ..... D9/439, 454, 516, 520, 530, 541-544,  
D9/573-575, 682, 694, 715, 719; D3/202;  
D7/300, 300.1, 598; D28/5, 91.1  
CPC ..... B65D 1/00; B65D 1/02; B65D 1/0223;  
B65D 23/00; B65D 81/00; B65D 2501/00;  
B65D 2501/0009; B65D 2501/0081  
See application file for complete search history.

(56) **References Cited**

**U.S. PATENT DOCUMENTS**

D47,062 S \* 3/1915 Woodworth ..... D9/544

D49,290 S \* 6/1916 Vivaudou ..... D9/544  
D214,876 S \* 8/1969 Bright ..... D9/558  
D323,985 S \* 2/1992 Bormioli ..... D9/573  
D378,354 S \* 3/1997 Varlet ..... D9/544  
D496,866 S \* 10/2004 Cornell ..... D9/544  
D626,003 S \* 10/2010 Pless ..... D9/544  
D690,600 S \* 10/2013 Reynolds ..... D9/542

\* cited by examiner

*Primary Examiner* — Dana L Meyrow

(74) *Attorney, Agent, or Firm* — Fross Zelnick Lehrman & Zissu, P.C.; Charles T. J. Weigell, Esq.

(57) **CLAIM**

The ornamental design for a bottle, as shown and described.

**DESCRIPTION**

FIG. 1 is a front perspective view of a bottle showing my new design;  
FIG. 2 is a front view of the bottle shown in FIG. 1;  
FIG. 3 is a back view of the bottle shown in FIG. 1;  
FIG. 4 is a side view of the bottle shown in FIG. 1;  
FIG. 5 is the other side view of the bottle shown in FIG. 1;  
FIG. 6 is a top view of the bottle shown in FIG. 1; and,  
FIG. 7 is a bottom view of the bottle shown in FIG. 1.  
The broken line showing of a portion of the bottom of the bottle in the relevant drawings shows unclaimed subject matter for the design in those drawings.

**1 Claim, 5 Drawing Sheets**





FIG. 1

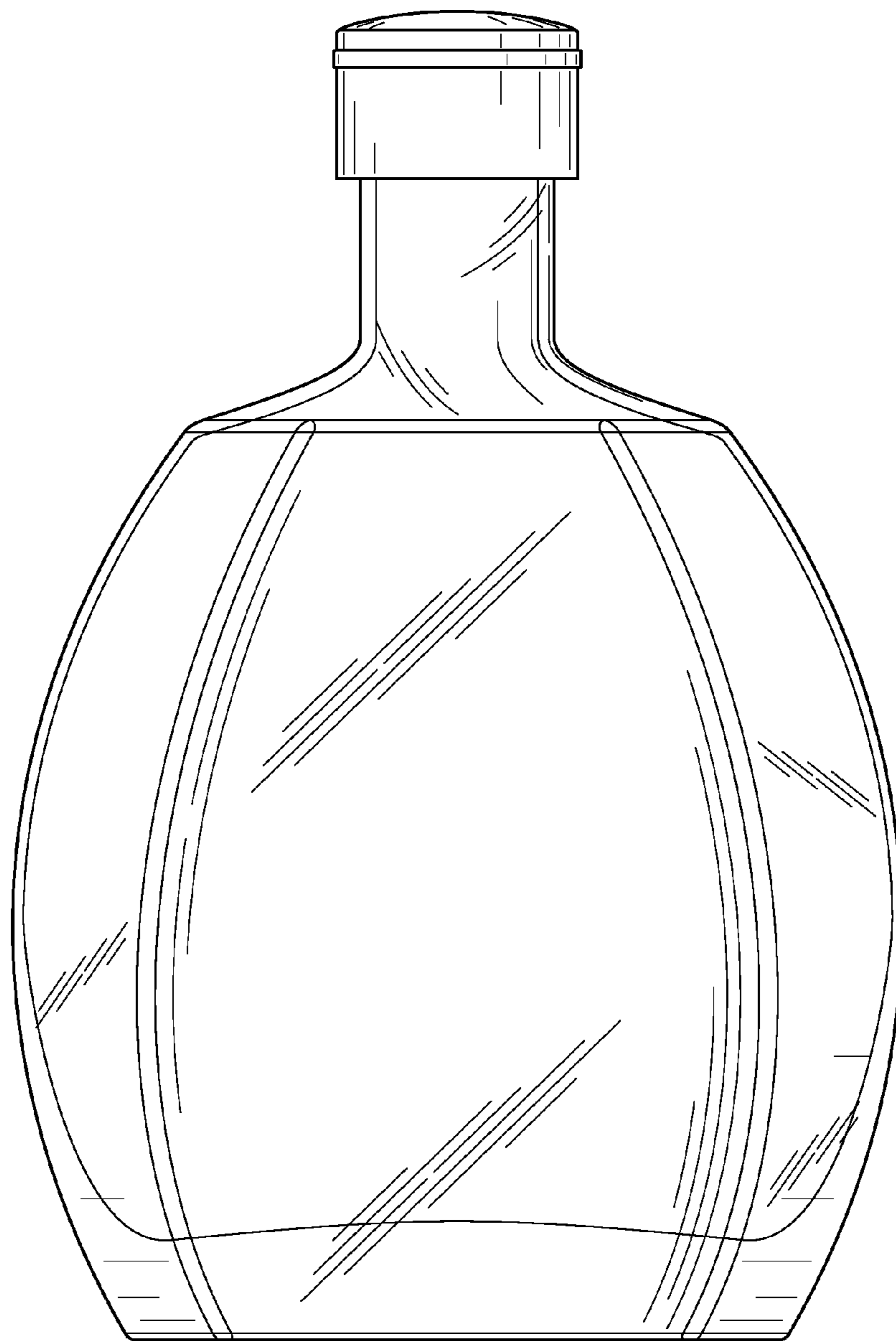


FIG. 2

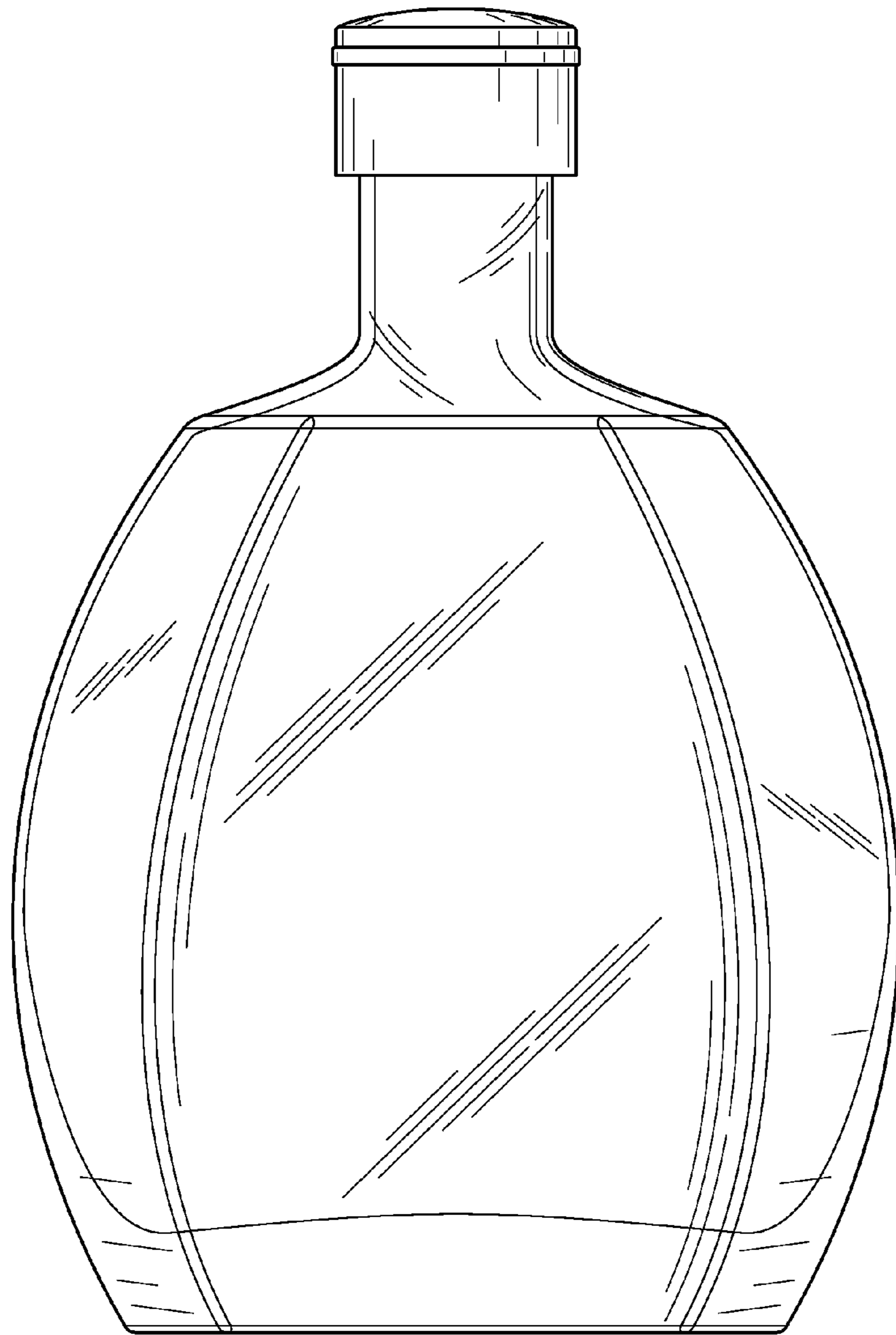


FIG. 3

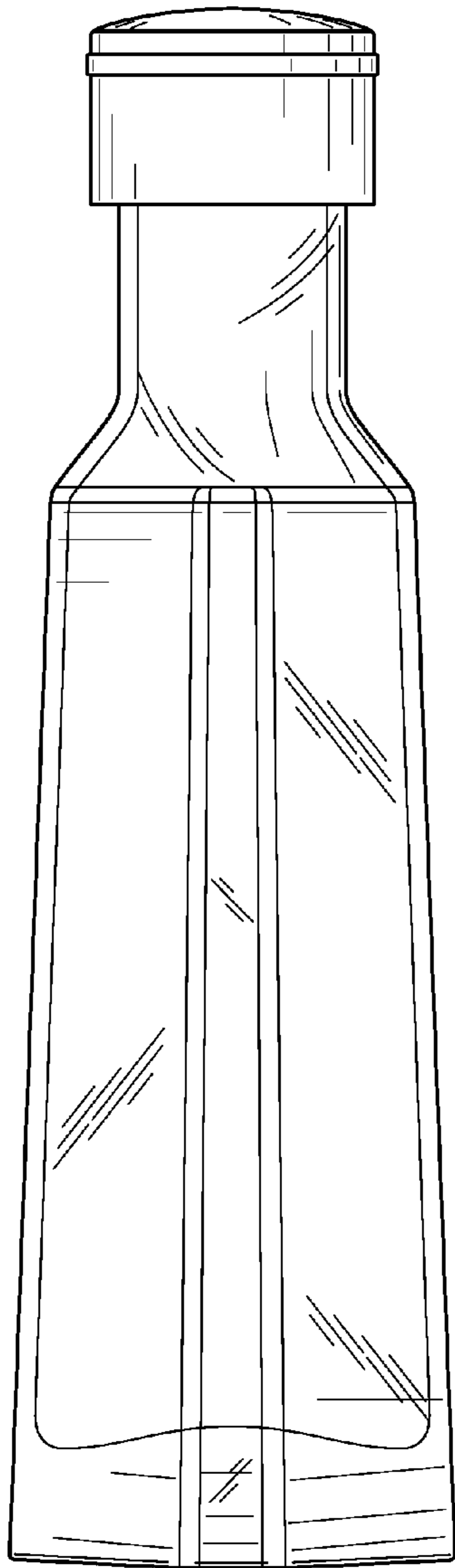


FIG. 4

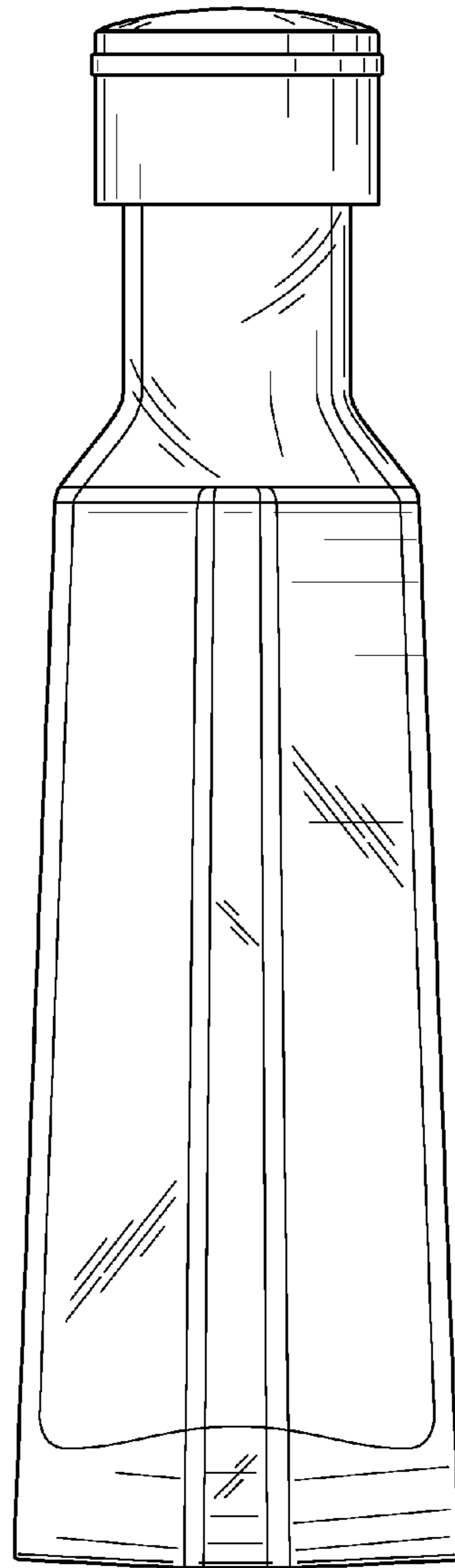


FIG. 5

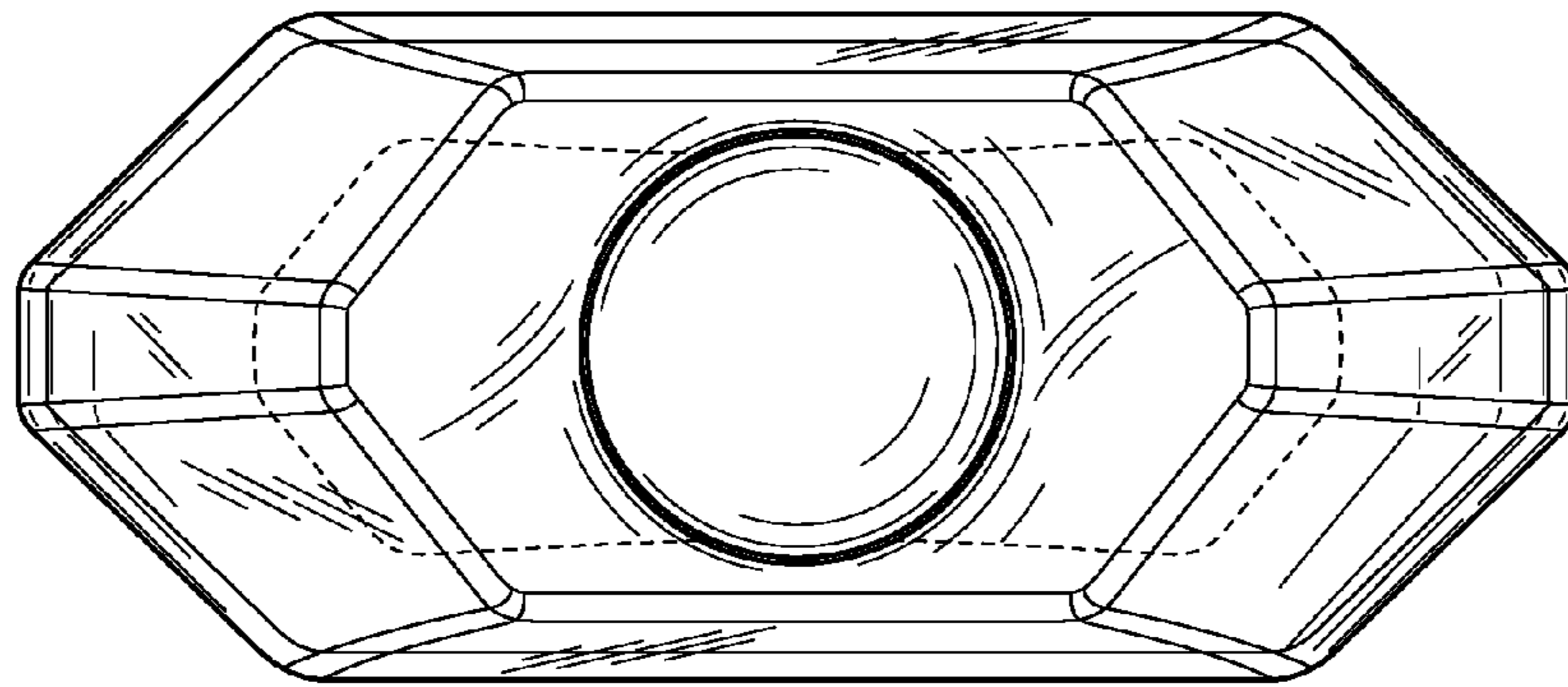


FIG. 6

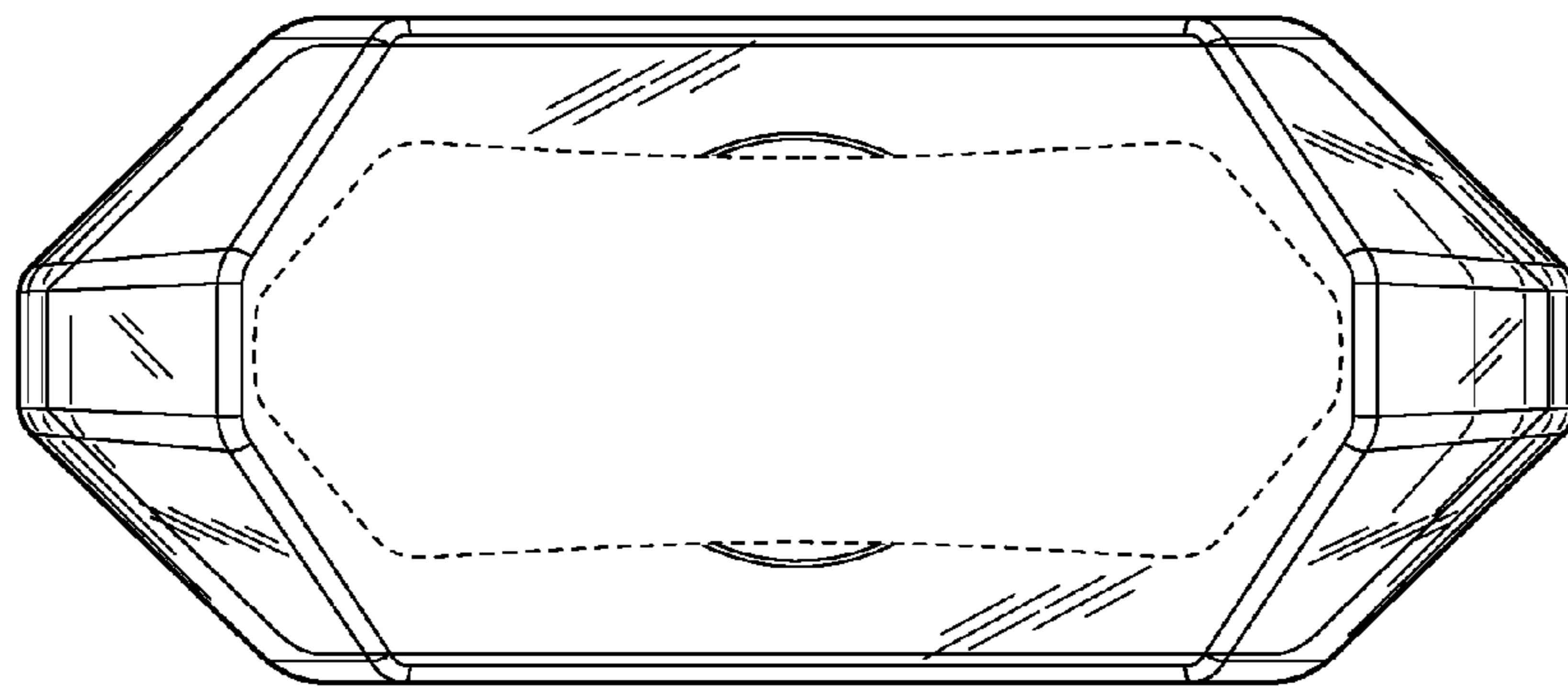


FIG. 7