



US00D763086S

(12) **United States Design Patent**  
**Kalagher**

(10) **Patent No.:** **US D763,086 S**  
(45) **Date of Patent:** **\*\* Aug. 9, 2016**

- (54) **COOLANT ADDITIVE PACKAGE**
- (71) Applicant: **PRESTONE PRODUCTS CORPORATION**, Lake Forest, IL (US)
- (72) Inventor: **Thomas G. Kalagher**, Torrington, CT (US)
- (73) Assignee: **PRESTONE PRODUCTS CORPORATION**, Danbury, CT (US)
- (\*\*) Term: **14 Years**
- (21) Appl. No.: **29/502,697**
- (22) Filed: **Sep. 18, 2014**
- (51) **LOC (10) Cl.** ..... **09-01**
- (52) **U.S. Cl.**  
USPC ..... **D9/504; D9/738**
- (58) **Field of Classification Search**  
USPC ..... D9/434, 435, 454, 500-505, 516, 558, D9/684, 686, 688, 715, 719, 737, 738, D9/740; D7/509-511, 513, 619.1, 505, D7/301.1  
CPC ..... B65D 85/816; B65D 51/1683; B65D 5/5097; B65D 2251/0018; B65D 2251/0081; B65D 51/2814; B65D 81/3227  
See application file for complete search history.

(56) **References Cited**

**U.S. PATENT DOCUMENTS**

- D289,143 S \* 4/1987 Guillaume ..... D9/445
- D292,881 S \* 11/1987 Thompson ..... D9/503
- 4,859,423 A \* 8/1989 Perlman ..... A61L 2/26  
206/214
- D377,293 S \* 1/1997 Husted ..... D7/510
- D446,122 S \* 8/2001 Weinstein ..... D9/428
- D480,590 S \* 10/2003 Linz ..... D7/300.1
- D515,425 S \* 2/2006 King ..... D9/504
- D530,968 S \* 10/2006 Bodum ..... D7/300.1

- D539,164 S \* 3/2007 Decottignies ..... D9/448
- D586,182 S \* 2/2009 Trombly ..... D7/509
- D610,871 S \* 3/2010 Alviar ..... D7/510
- D654,378 S \* 2/2012 Tucker ..... D9/500
- D656,041 S \* 3/2012 Mikolajewski ..... D9/500
- D671,787 S \* 12/2012 Lin ..... D7/300.1
- D684,805 S \* 6/2013 Bjerre-Poulsen ..... D7/300.1
- D701,727 S \* 4/2014 Gilbert ..... D7/300.1
- D722,113 S \* 2/2015 Knight ..... D20/8
- D729,584 S \* 5/2015 Weston ..... D7/510
- D735,514 S \* 8/2015 Cheung ..... D7/300
- 2011/0253745 A1 \* 10/2011 Mainville ..... B65D 47/06  
222/129
- 2014/0008311 A1 \* 1/2014 Weston ..... B01D 29/0072  
210/808
- 2014/0174965 A1 \* 6/2014 Herling ..... A47J 41/0077  
206/216
- 2015/0291312 A1 \* 10/2015 Kalagher ..... B65D 81/3227  
215/6

\* cited by examiner

*Primary Examiner* — Ian Simmons

*Assistant Examiner* — Keith Frank

(74) *Attorney, Agent, or Firm* — Barnes & Thornburg LLP; Gregory H. Zayia

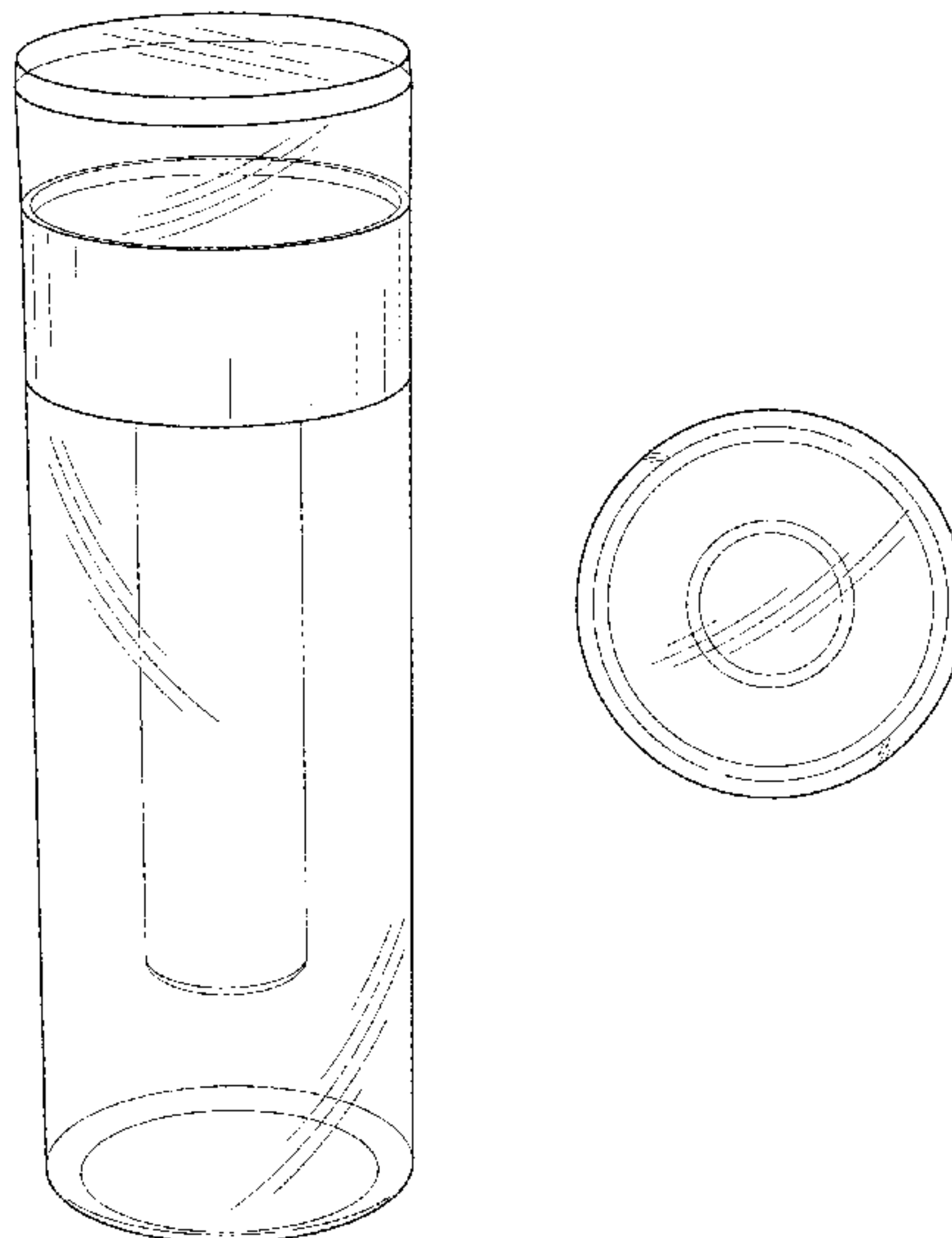
(57) **CLAIM**

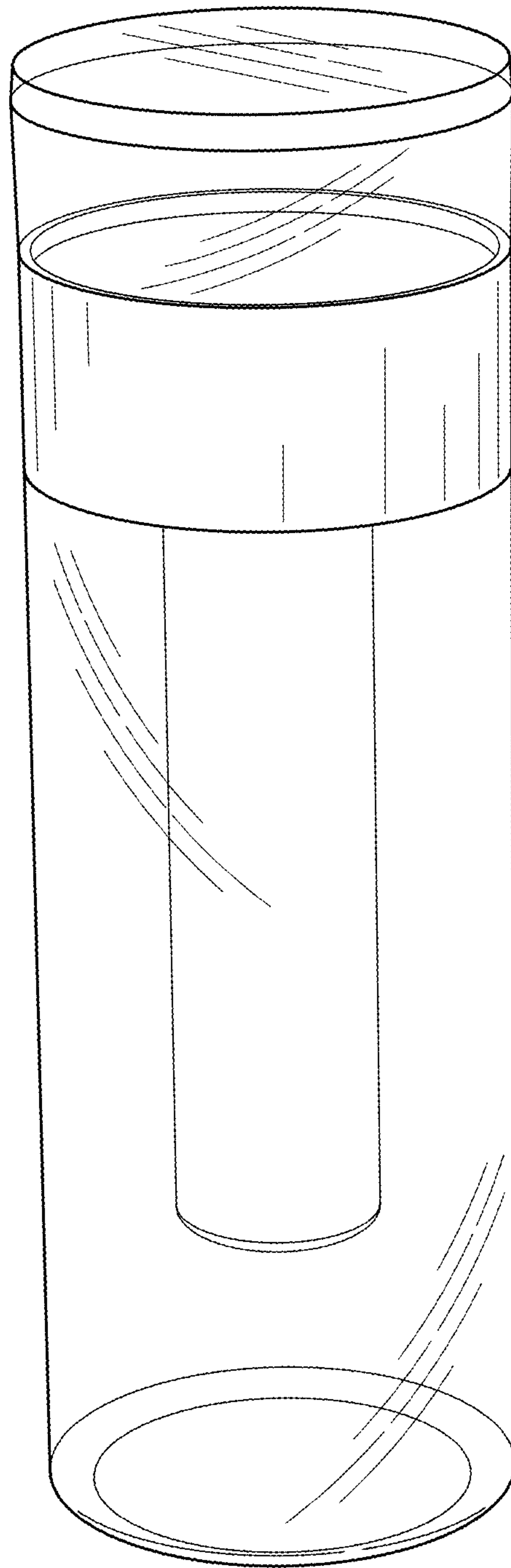
The ornamental design for a coolant additive package, as shown and described.

**DESCRIPTION**

FIG. 1 is a front right side perspective view of a coolant additive package showing our new design;  
 FIG. 2 is a front elevational view of the coolant additive package shown in FIG. 1;  
 FIG. 3 is a rear elevational view thereof;  
 FIG. 4 is a right-side elevational view thereof;  
 FIG. 5 is a left-side elevational view thereof;  
 FIG. 6 is a top plan view thereof; and,  
 FIG. 7 is a bottom plan view thereof.

**1 Claim, 4 Drawing Sheets**





*FIG. 1*

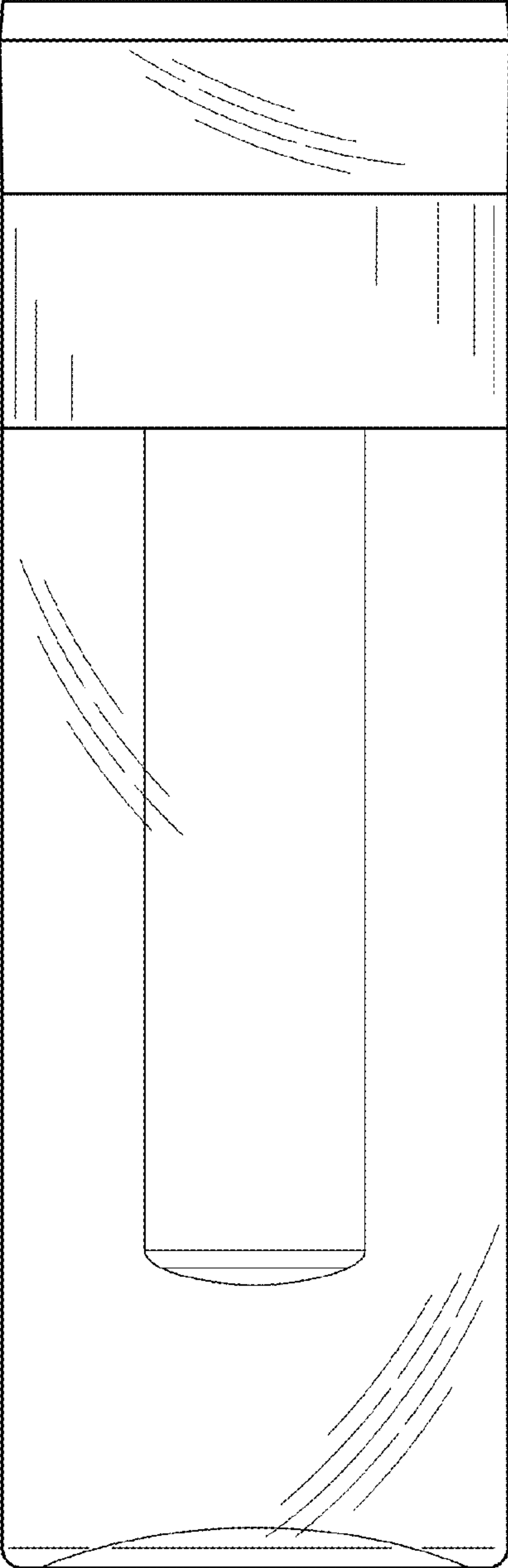


FIG. 2

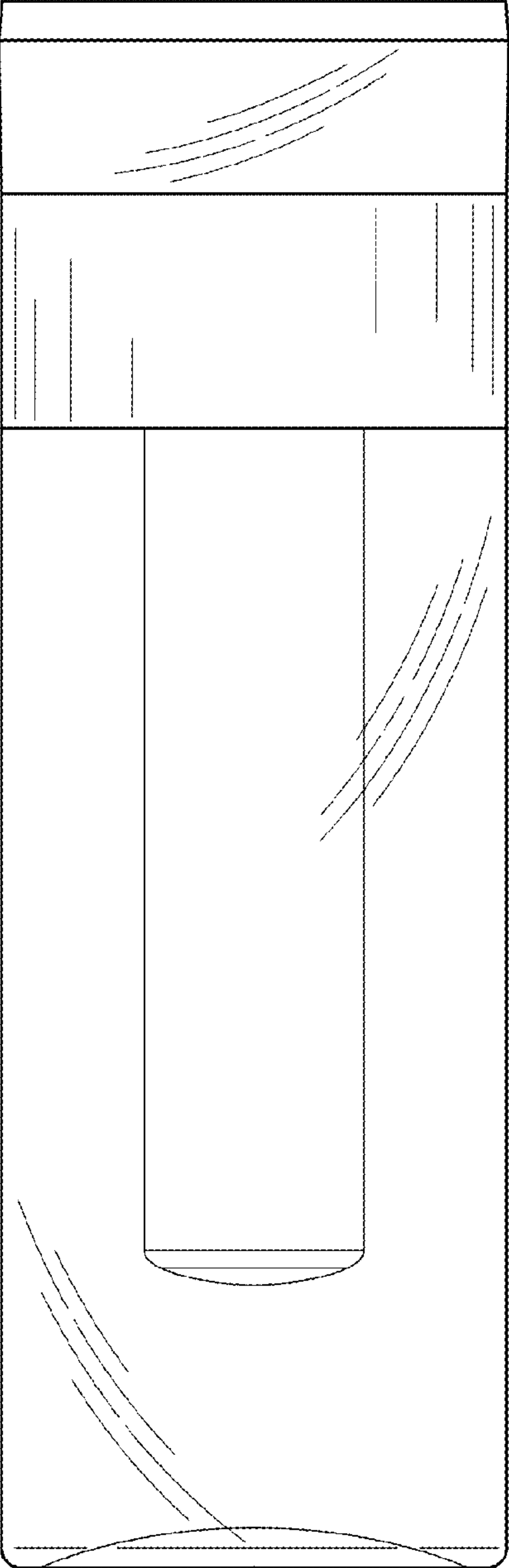
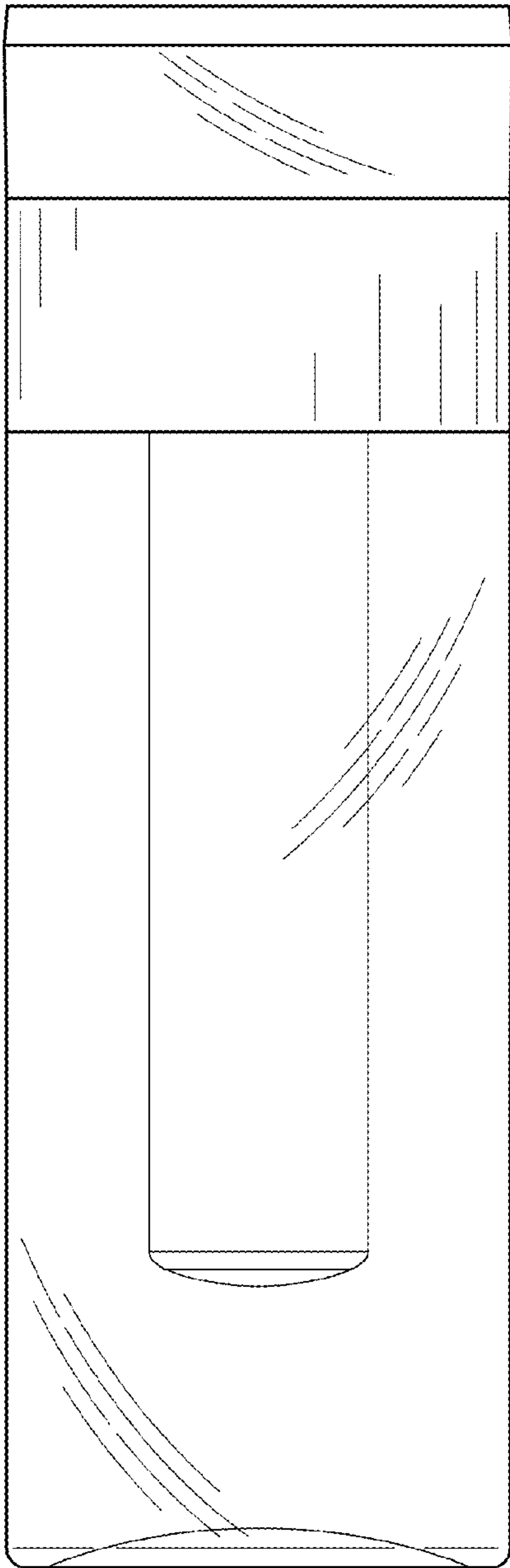
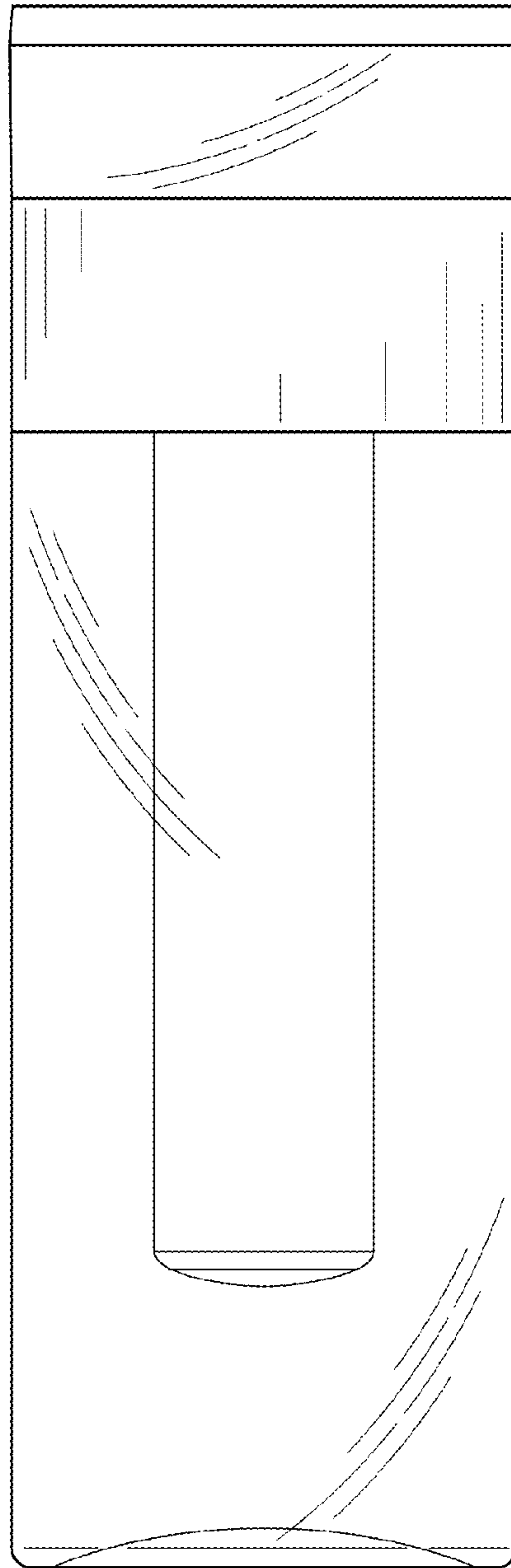


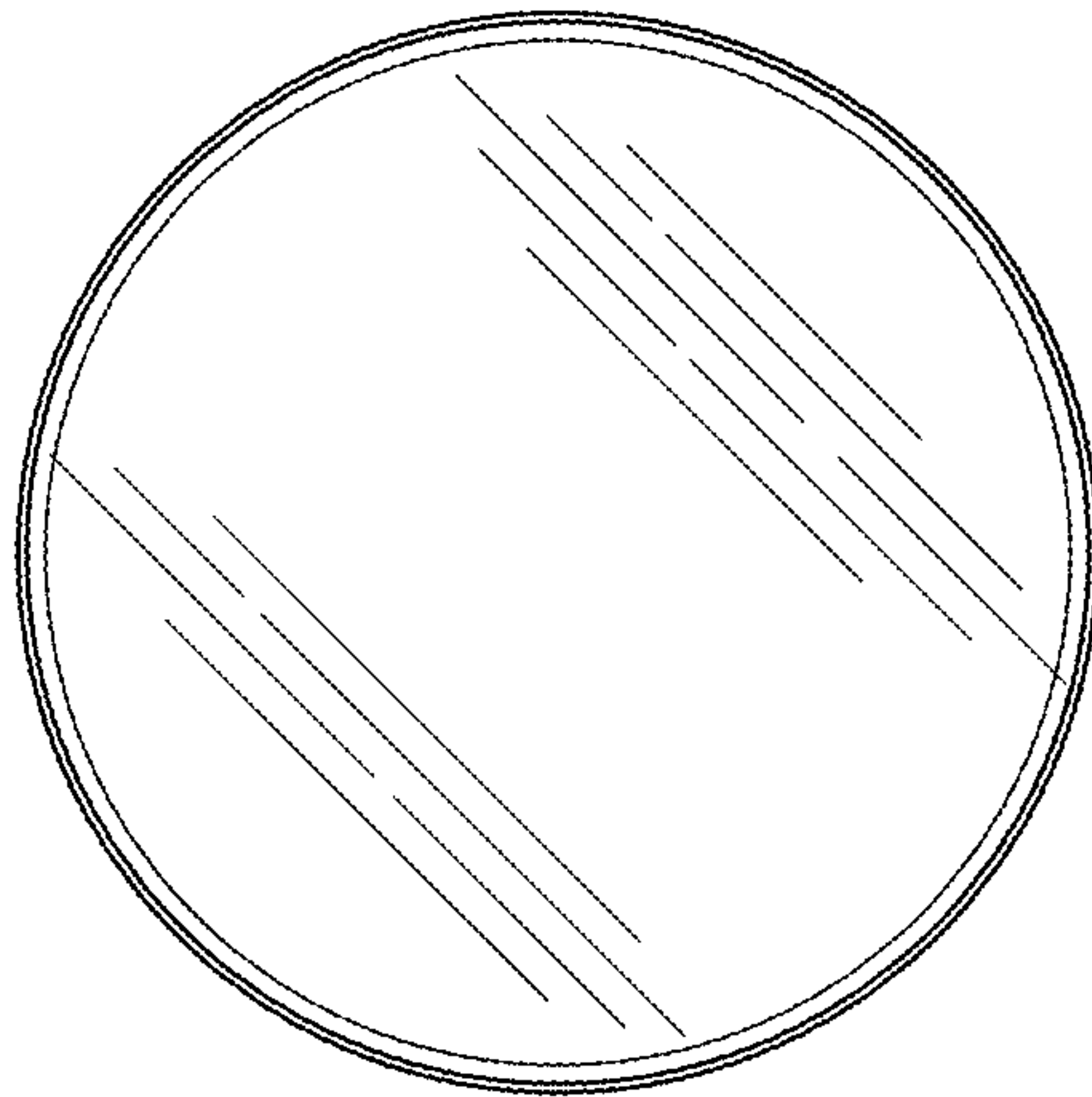
FIG. 3



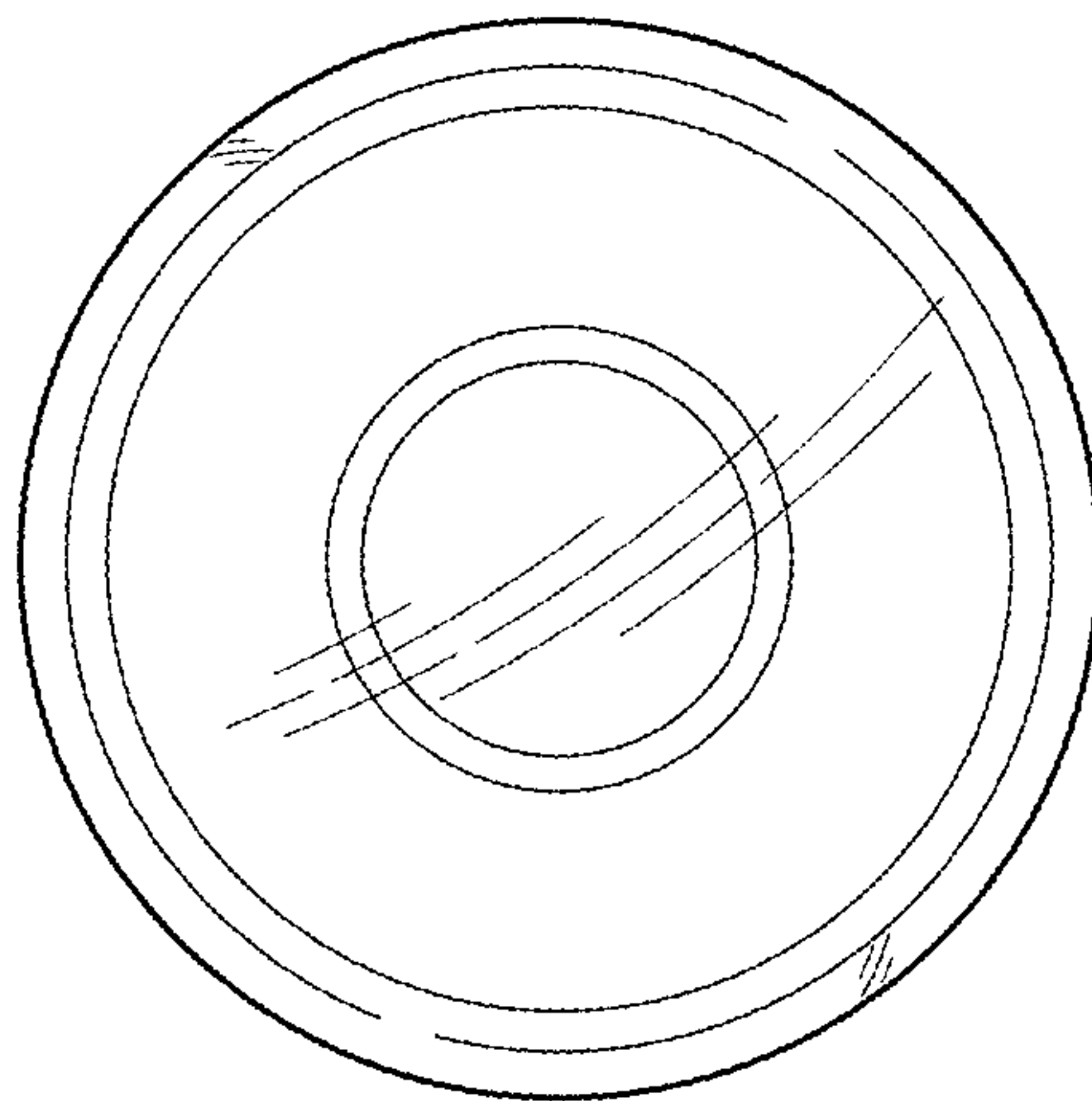
*FIG. 4*



*FIG. 5*



*FIG. 6*



*FIG. 7*