



US00D763083S

(12) **United States Design Patent**
Seybel et al.

(10) **Patent No.:** **US D763,083 S**

(45) **Date of Patent:** **** Aug. 9, 2016**

(54) **VENT CAP**

(71) Applicant: **W. L. Gore & Associates, GmbH,**
Putzbrunn (DE)

(72) Inventors: **Mike Seybel, München (DE); Joonas Riihimäki, München (DE); Rainer Enggruber, Gruenwald (DE)**

(73) Assignee: **W.L. Gore & Associates, GmbH,**
Putzbrunn (DE)

(**) Term: **14 Years**

(21) Appl. No.: **29/472,066**

(22) Filed: **Nov. 8, 2013**

(51) **LOC (10) Cl.** **09-07**

(52) **U.S. Cl.**
USPC **D9/454**

(58) **Field of Classification Search**
USPC D7/396.2, 507, 509, 510, 511;
D9/434-455, 524, 682, 685, 694;
215/200, 235, 236, 252, 254, 329,
215/355-364; 220/203.04-203.07, 220,
220/254.1, 254.4, 556, 703, 704, 705;
D6/542-545

See application file for complete search history.

(56) **References Cited**

U.S. PATENT DOCUMENTS

1,093,735 A * 4/1914 Shapiro 215/271
D57,052 S * 2/1921 Ingram D9/452

(Continued)

FOREIGN PATENT DOCUMENTS

DE 10 2007 050 921 A1 5/2009
EP 0 377 067 A1 1/1989

(Continued)

Primary Examiner — Robert M Spear
Assistant Examiner — Marissa J Cash

(74) *Attorney, Agent, or Firm* — Kilpatrick Townsend & Stockton LLC

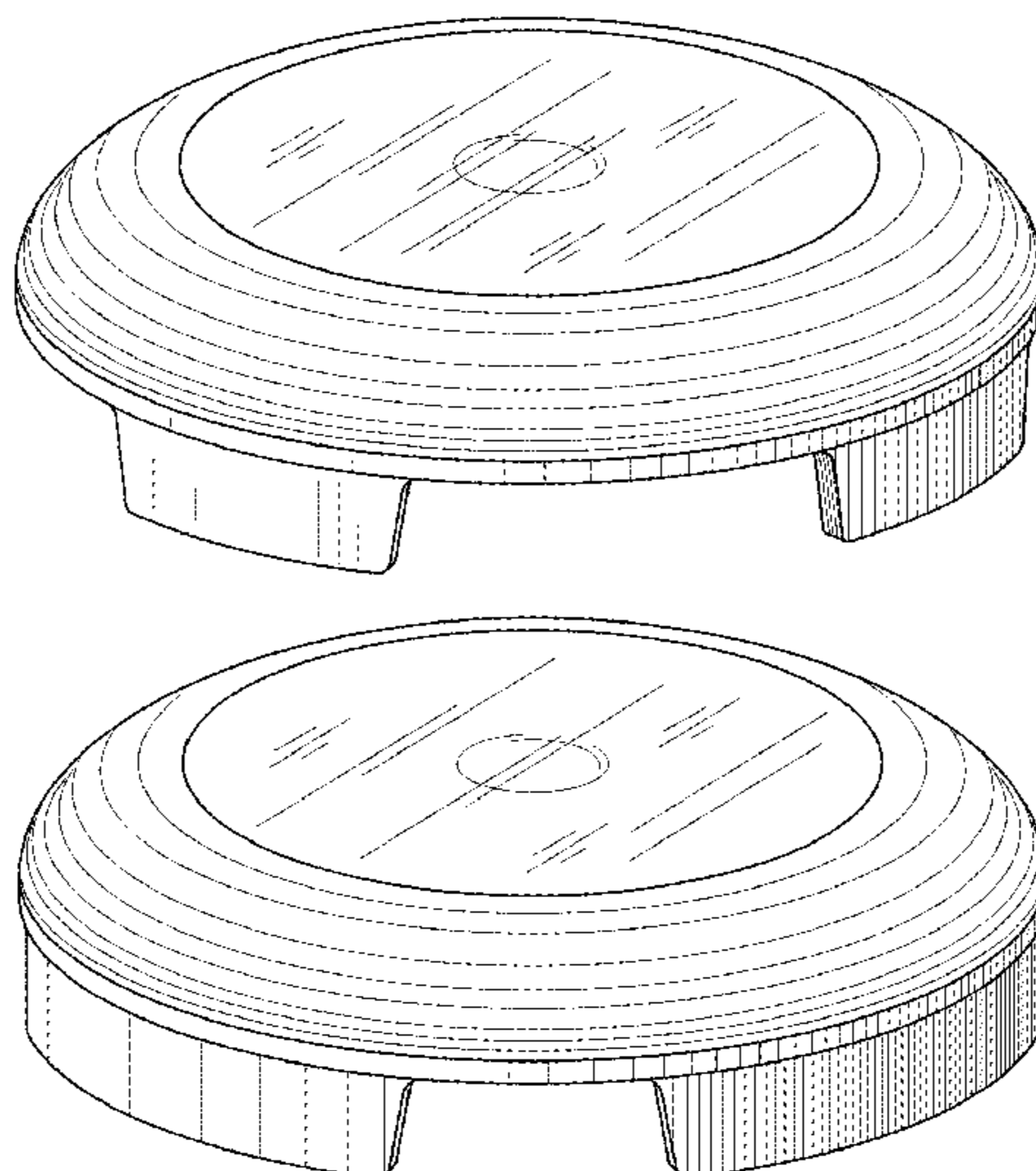
(57) **CLAIM**

What is claimed is the ornamental design for a vent cap, as shown and described.

DESCRIPTION

FIG. 1 is a three-quarter isometric view of an embodiment of a vent cap design of the present invention;
FIG. 2 is a top plan view of the vent cap design of FIG. 1;
FIG. 3 is a front side view of the vent cap design of FIG. 1;
FIG. 4 is back side view of the vent cap design of FIG. 1;
FIG. 5 is a right side view of the vent cap design of FIG. 1;
FIG. 6 is a left side view of the vent cap design of FIG. 1;
FIG. 7 is a bottom view of the vent cap design of FIG. 1;
FIG. 8 is a three-quarter isometric view of an embodiment of a vent cap design of the present invention;
FIG. 9 is a top plan view of the vent cap design of FIG. 8;
FIG. 10 is a front side view of the vent cap design of FIG. 8;
FIG. 11 is back side view of the vent cap design of FIG. 8;
FIG. 12 is a right side view of the vent cap design of FIG. 8;
FIG. 13 is a left side view of the vent cap design of FIG. 8;
FIG. 14 is a bottom view of the vent cap design of FIG. 8;
FIG. 15 is a three-quarter isometric view of an embodiment of a vent cap design of the present invention;
FIG. 16 is a top plan view of the vent cap design of FIG. 15;
FIG. 17 is a front side view of the vent cap design of FIG. 15;
FIG. 18 is back side view of the vent cap design of FIG. 15;
FIG. 19 is a right side view of the vent cap design of FIG. 15;
FIG. 20 is a left side view of the vent cap design of FIG. 15;
and,
FIG. 21 is a bottom view of the vent cap design of FIG. 15.

1 Claim, 21 Drawing Sheets



(56)

References Cited

2011/0275305 A1 11/2011 Egersdoerfer et al.
 2013/0217315 A1* 8/2013 Wiand et al. 451/541

U.S. PATENT DOCUMENTS

D255,528 S * 6/1980 Seager D7/392.1
 D583,670 S 12/2008 Lamb et al.
 D608,638 S * 1/2010 Pontes D9/446
 D642,057 S * 7/2011 Reed et al. D9/453
 D642,864 S * 8/2011 Tobias D7/510
 D642,921 S * 8/2011 Endert D9/454
 D675,922 S * 2/2013 MacNeill et al. D9/443
 D682,107 S * 5/2013 Ramsey et al. D9/454
 8,528,757 B2 9/2013 Bisio
 D713,247 S 9/2014 Webster et al.
 2010/0068431 A1 3/2010 Bansal et al.
 2010/0227543 A1 9/2010 Furuyama

FOREIGN PATENT DOCUMENTS

EP 1 939 523 A1 7/2008
 EP 1 964 658 A1 9/2008
 EP 1 270 207 B1 3/2010
 EP 1 955 901 B1 5/2010
 EP 2 236 918 A2 10/2010
 EP 1 363 069 B1 2/2011
 EP 2 292 473 A1 3/2011
 EP 2 441 625 A1 4/2012
 WO WO 2011/114640 A1 3/2011

* cited by examiner

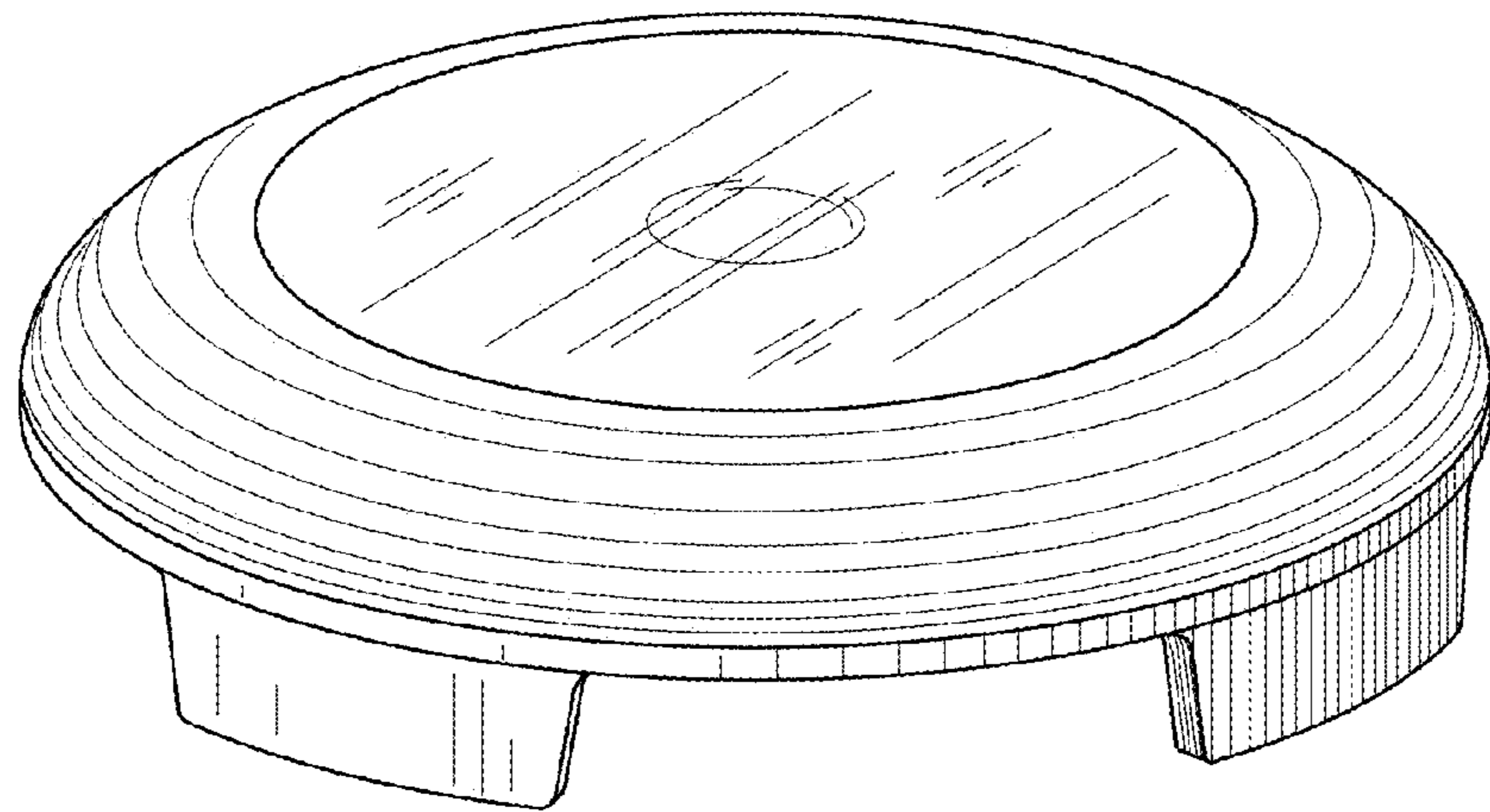


FIG. 1

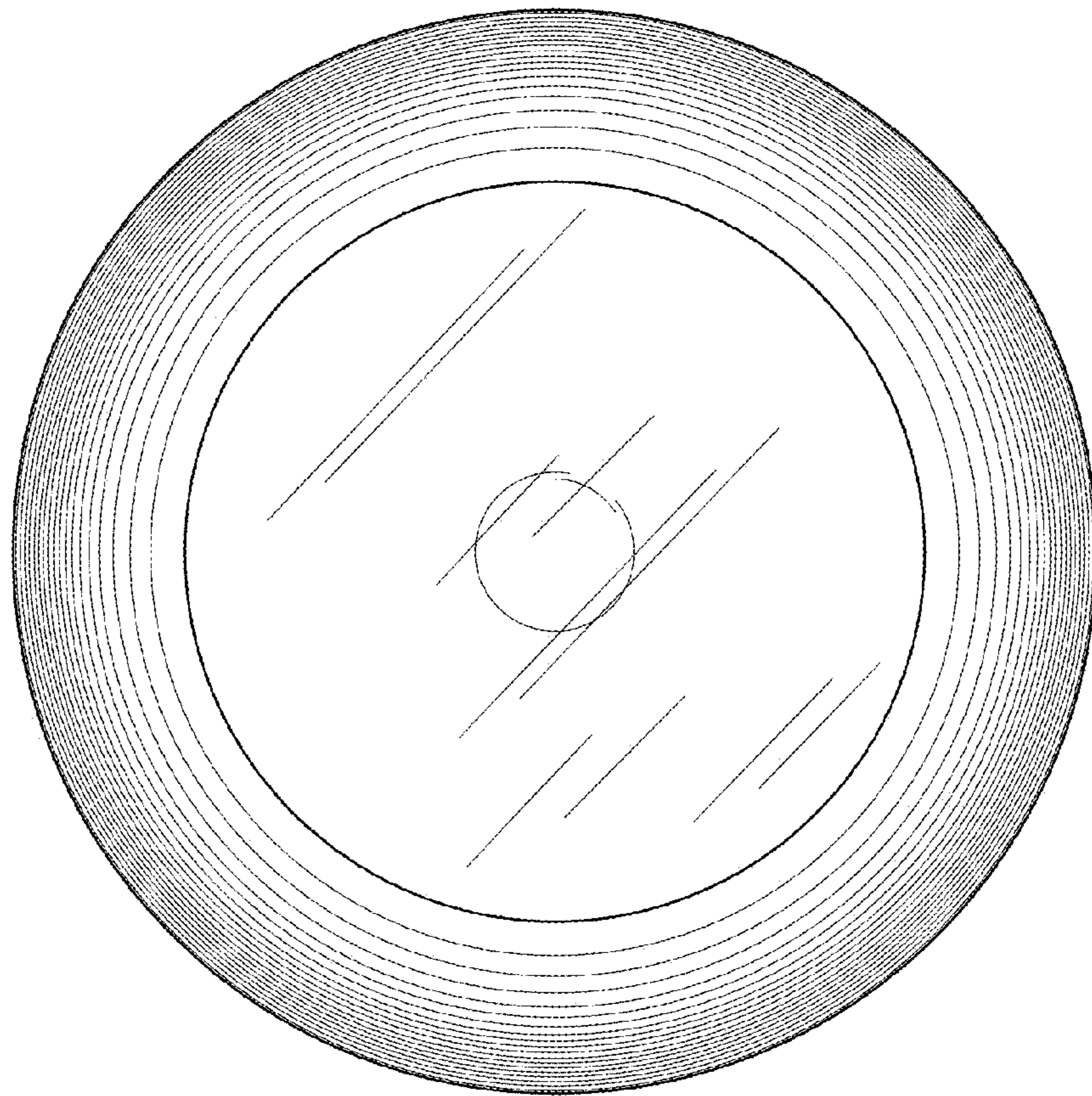


FIG. 2

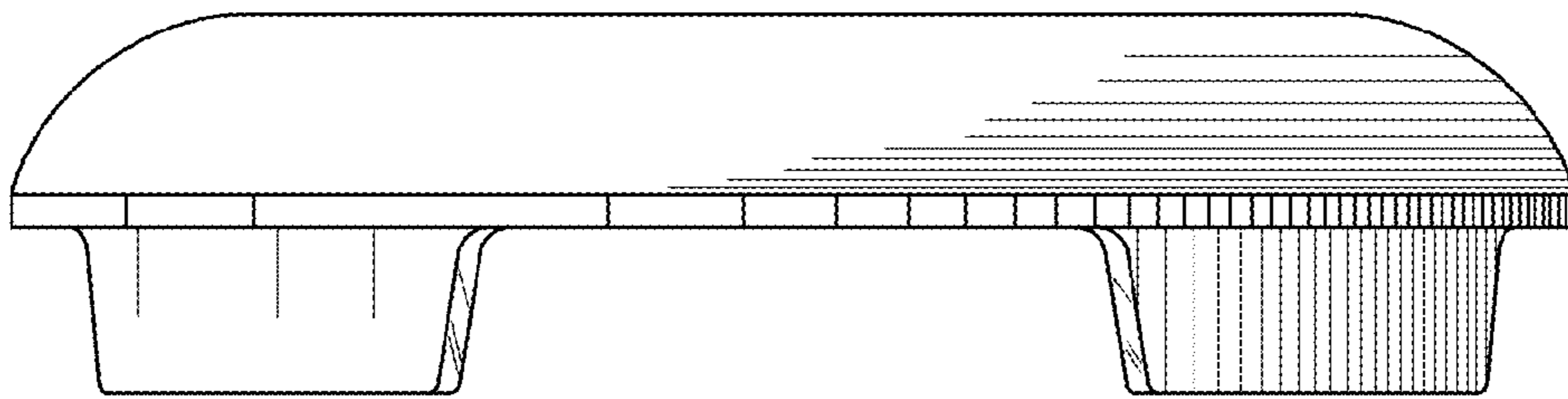


FIG. 3

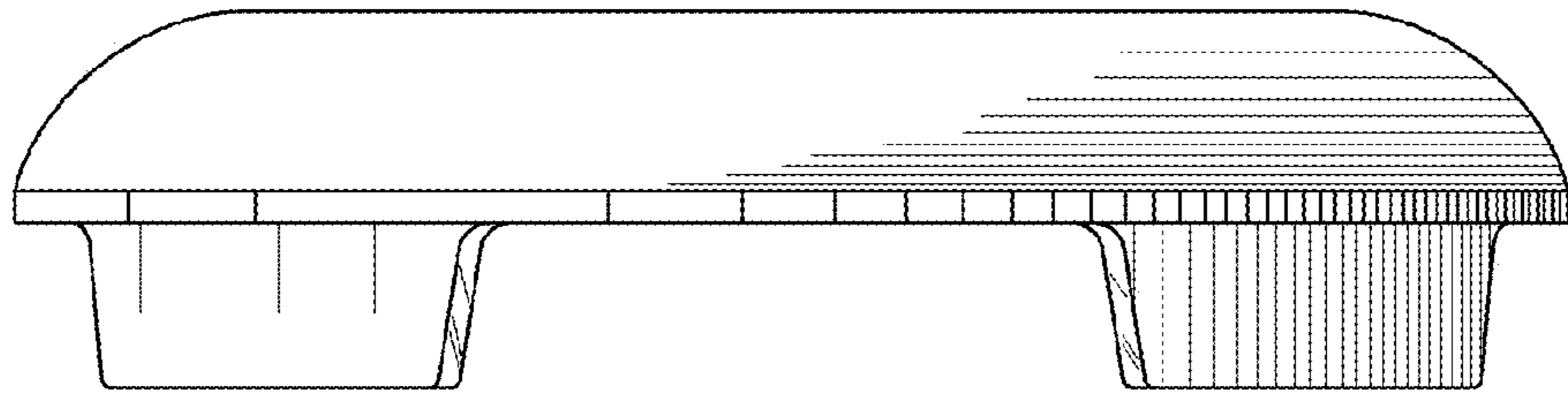


FIG. 4

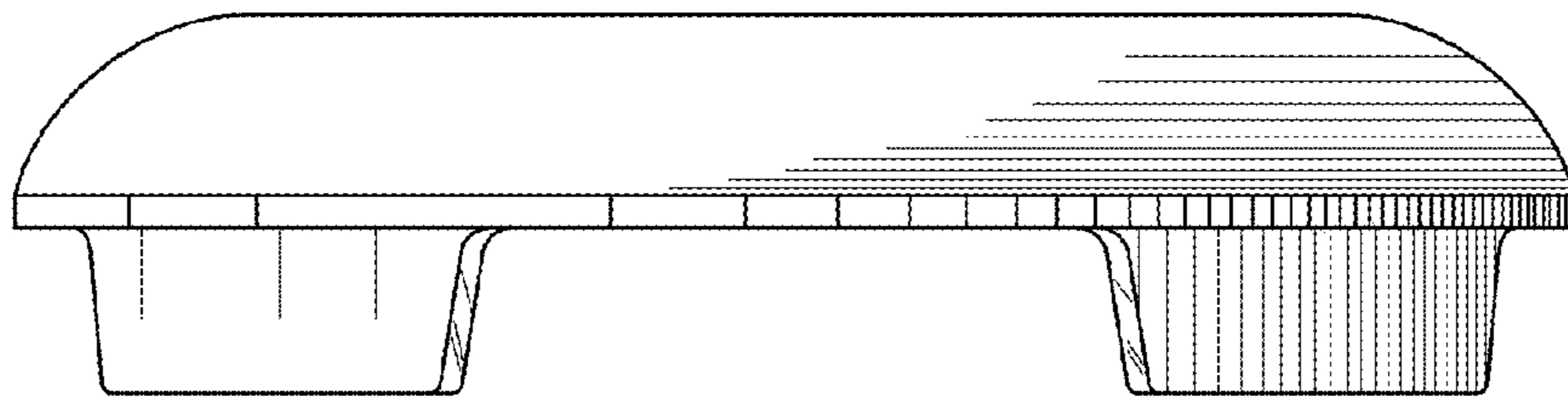


FIG. 5

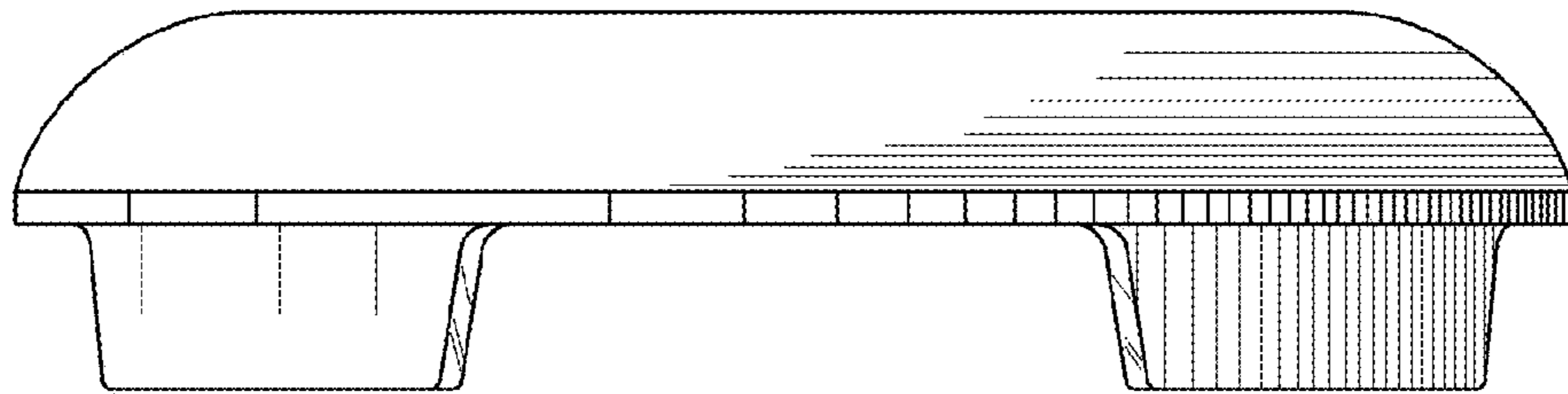


FIG. 6

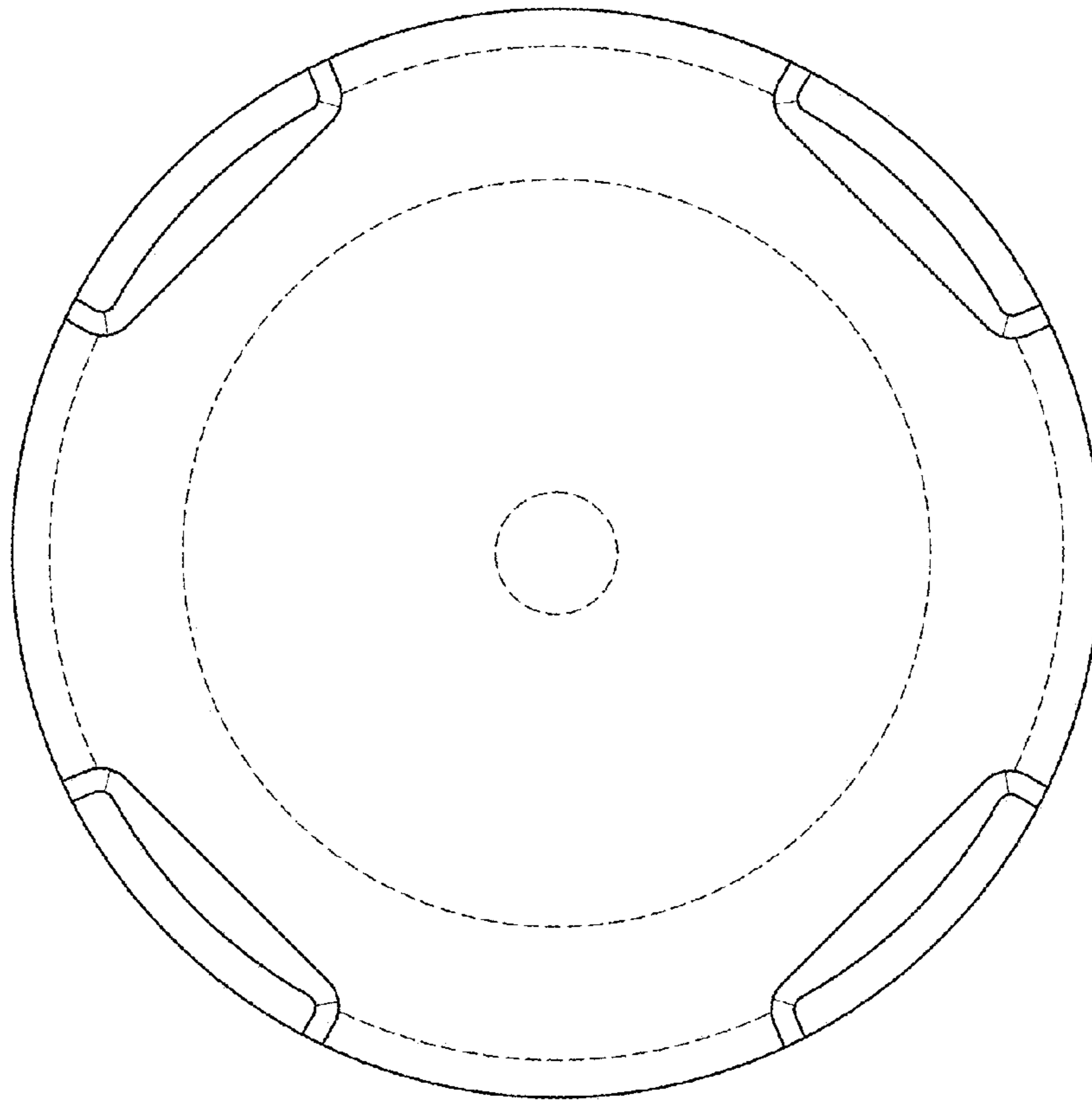


FIG. 7

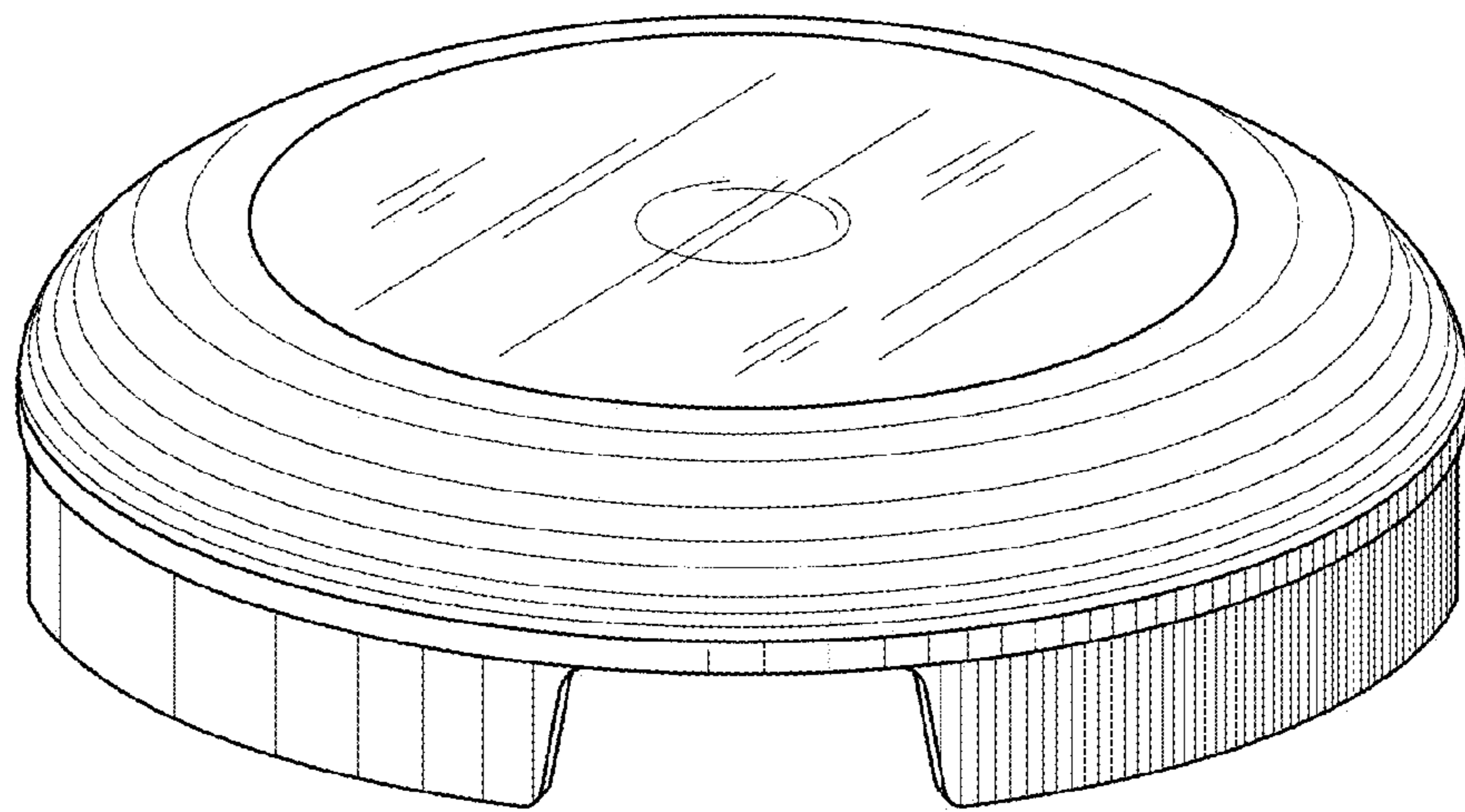


FIG. 8

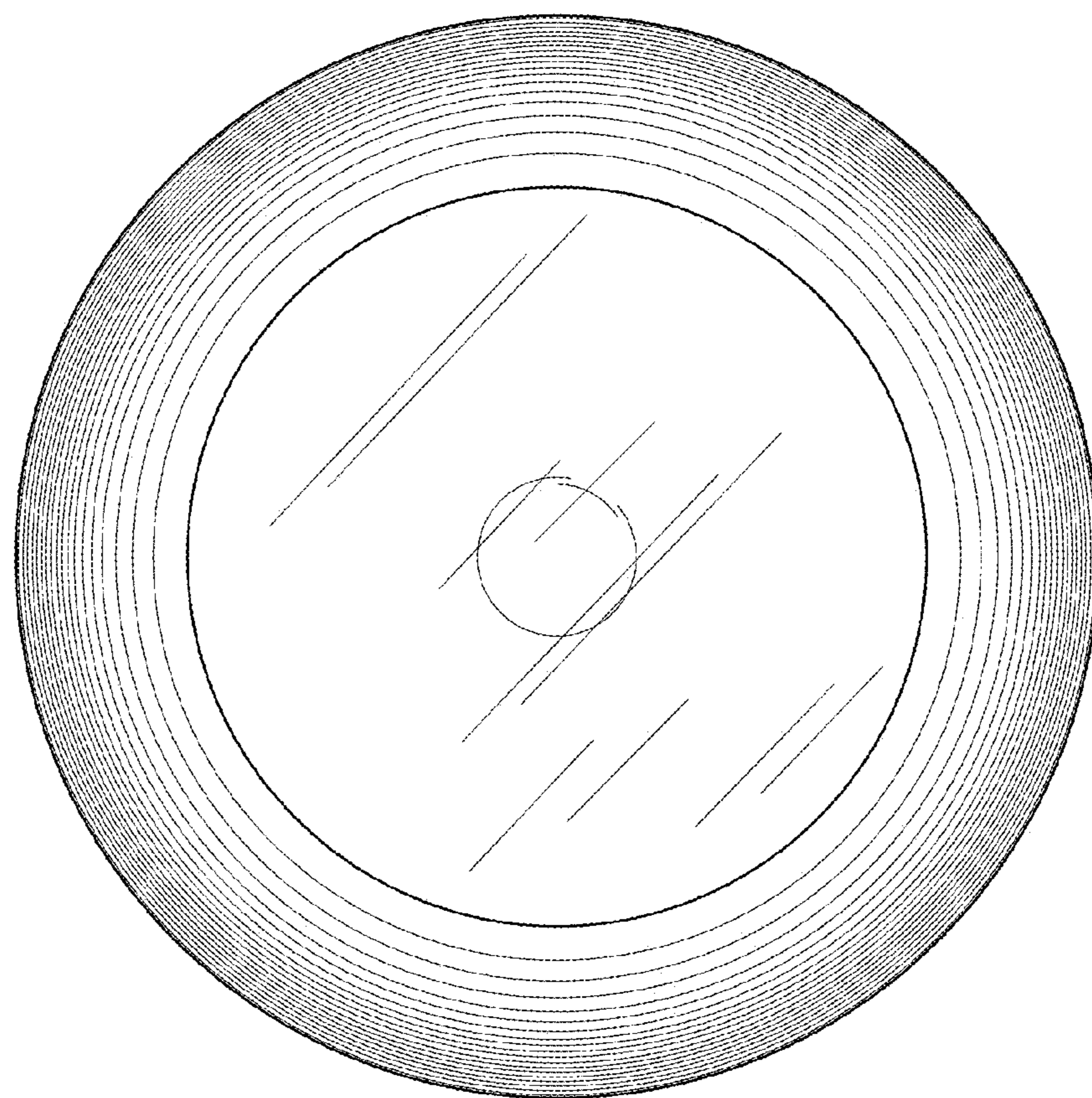


FIG. 9

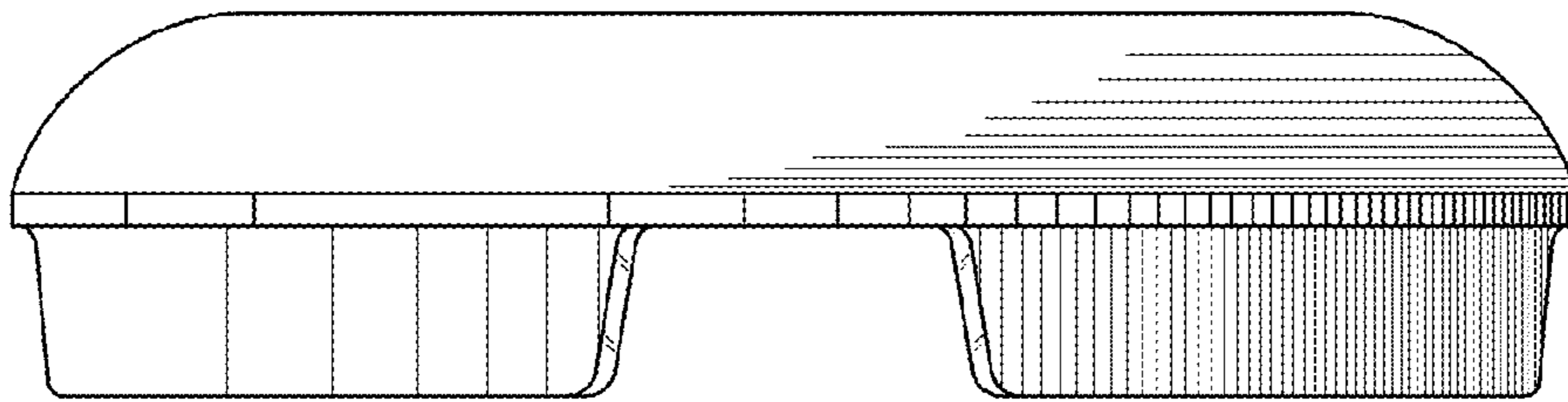


FIG. 10

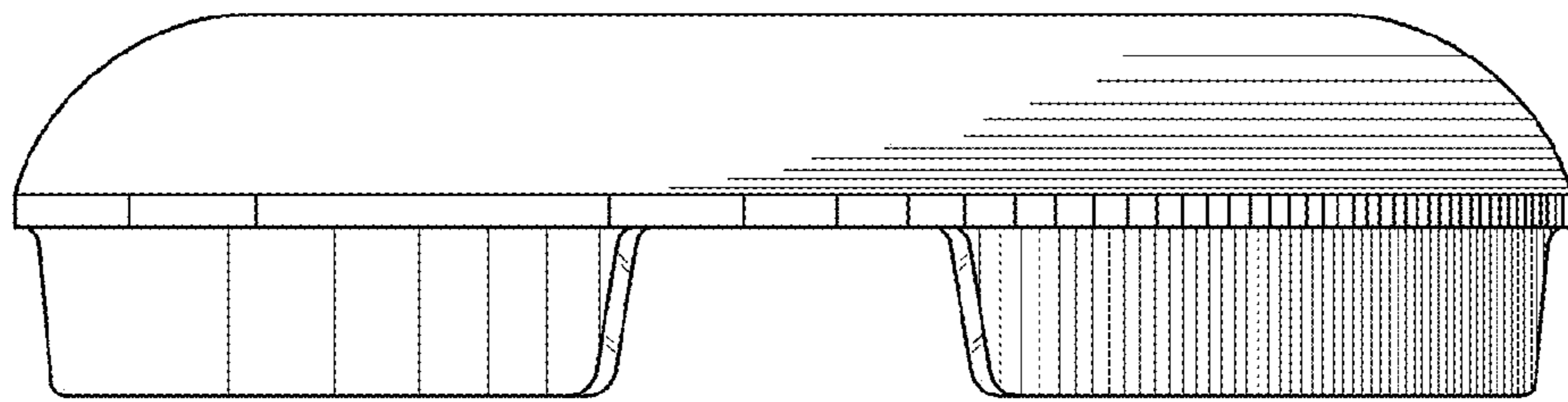


FIG. 11

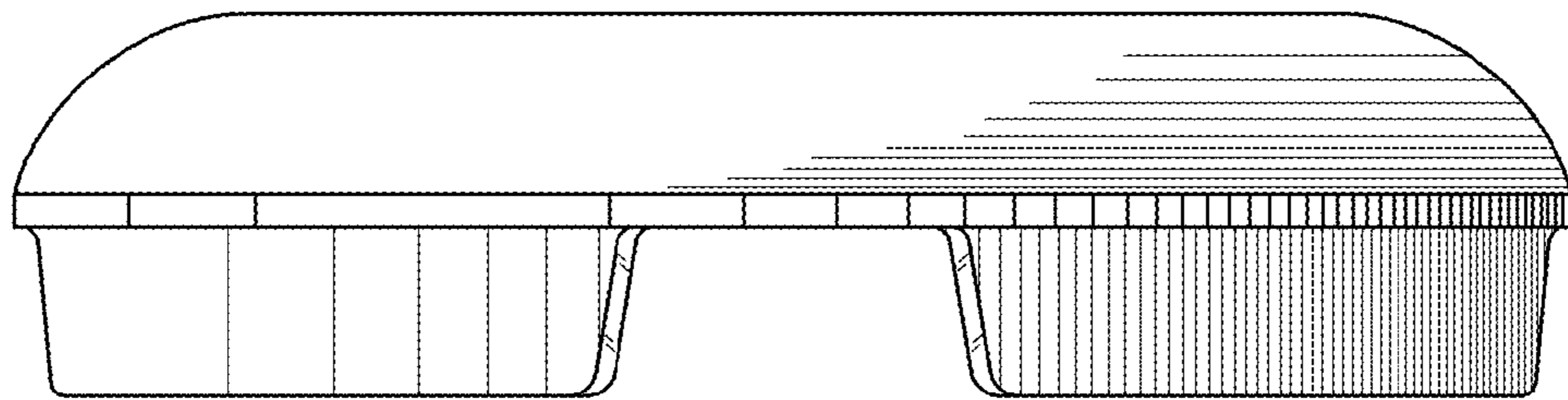


FIG. 12

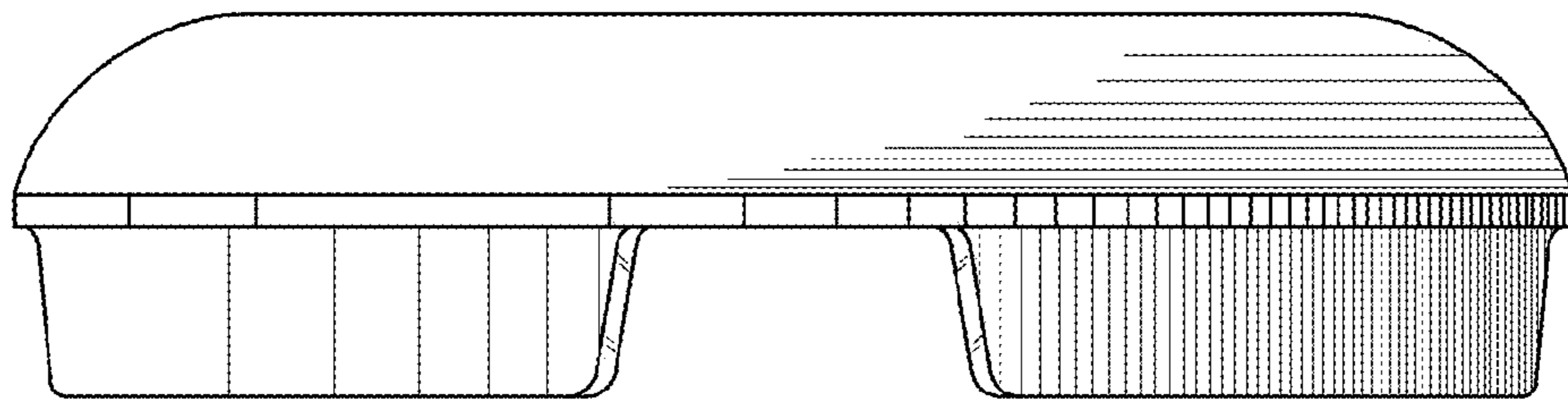


FIG. 13

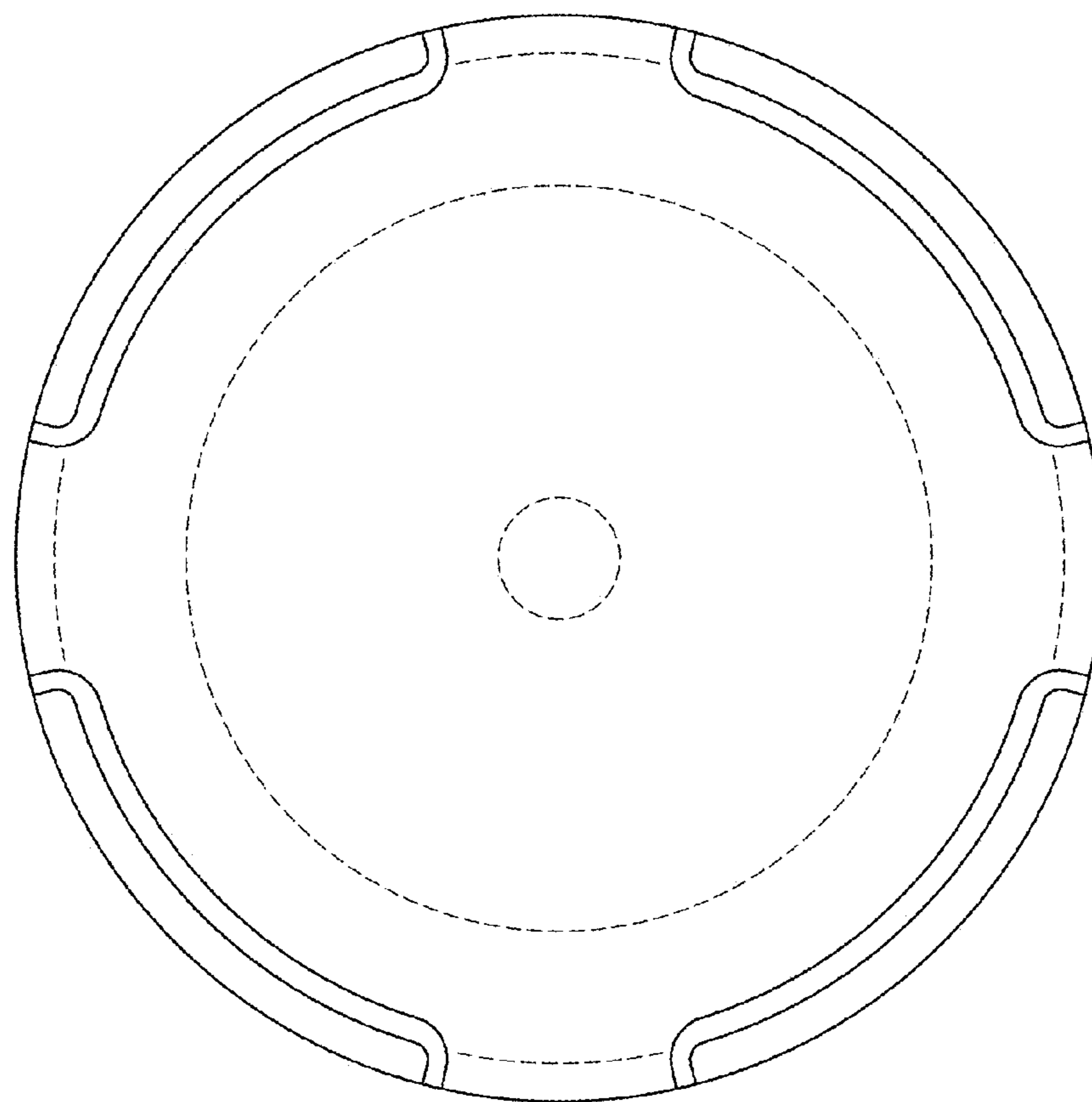


FIG. 14

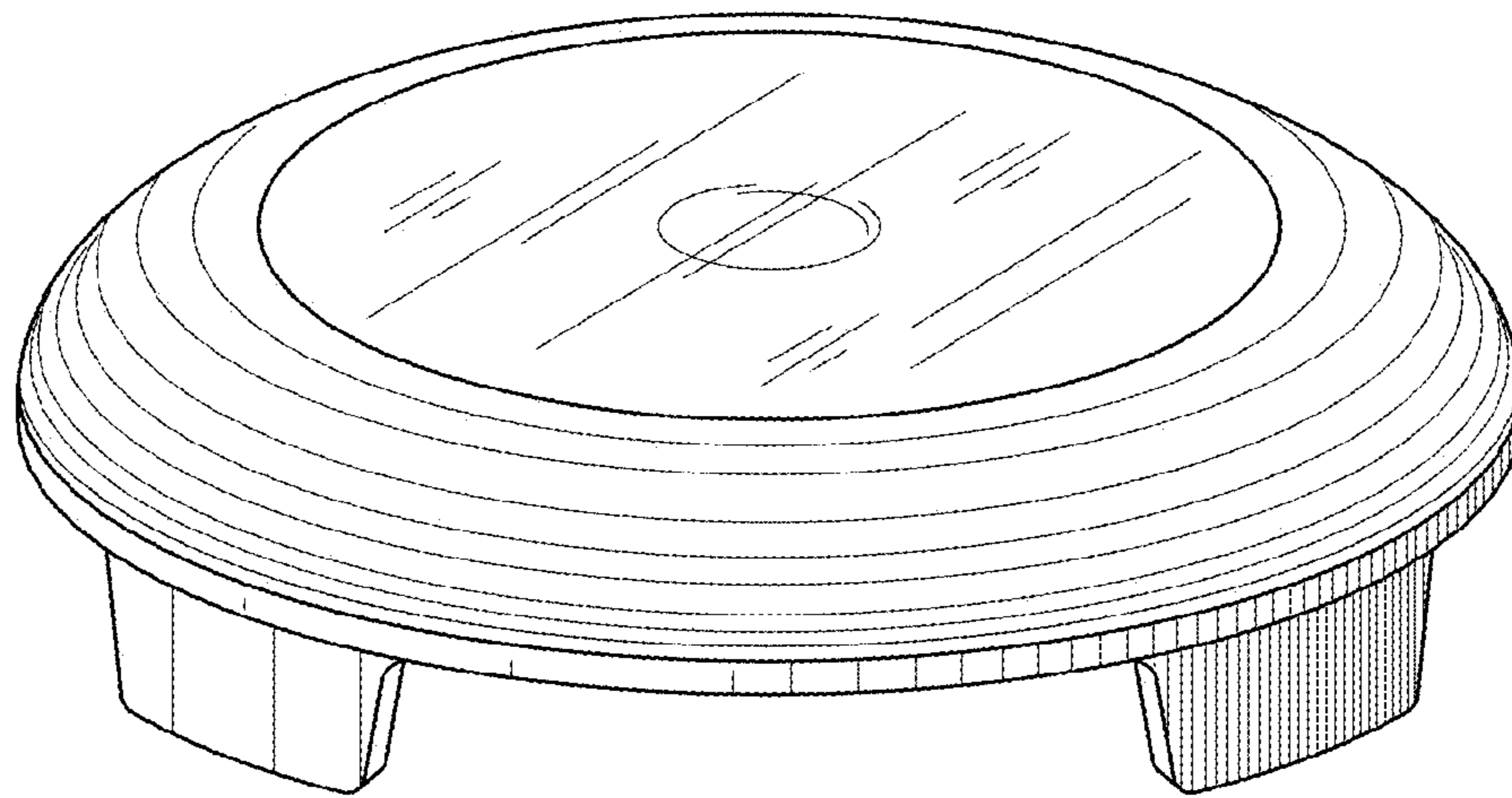


FIG. 15

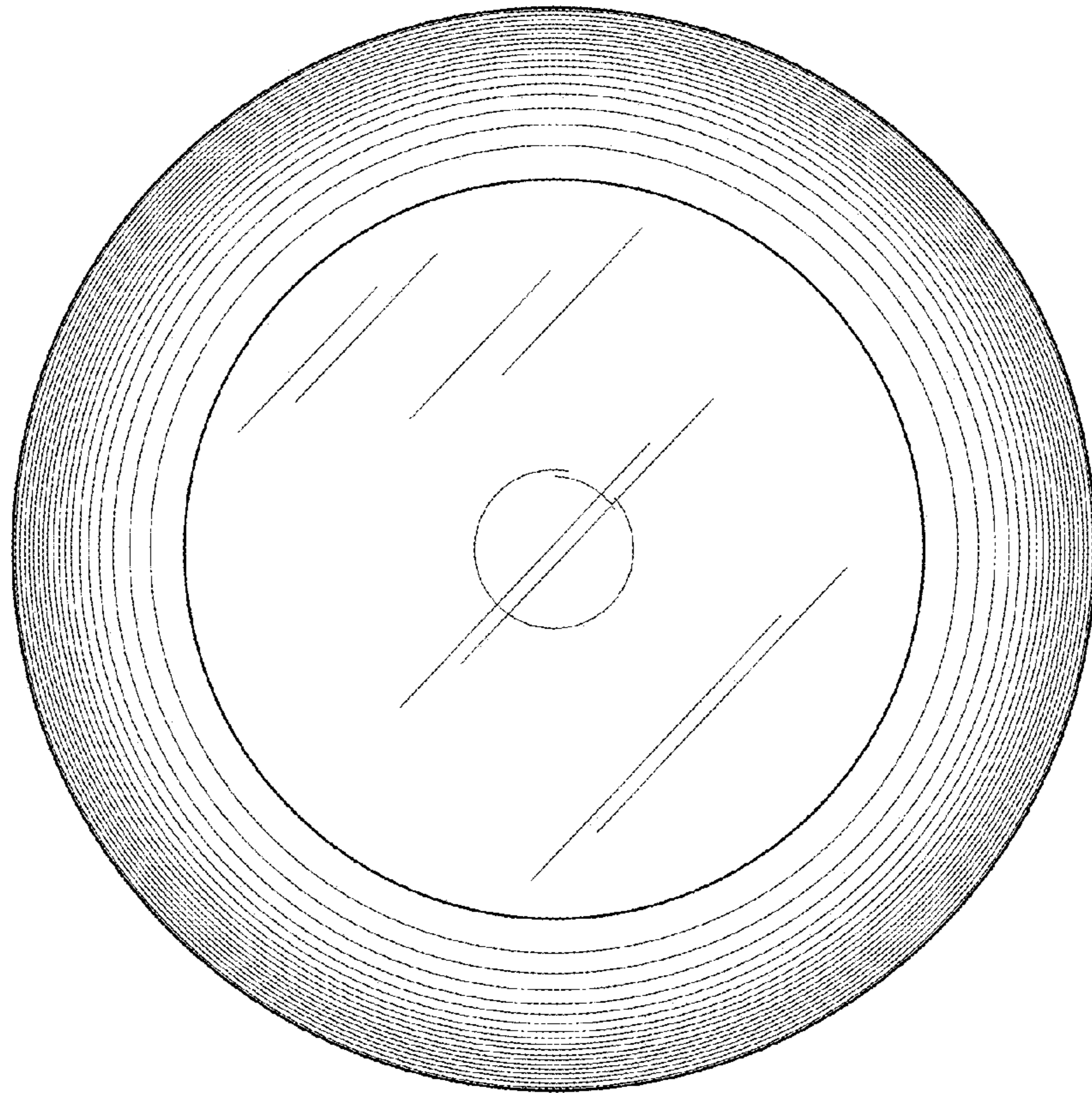


FIG. 16

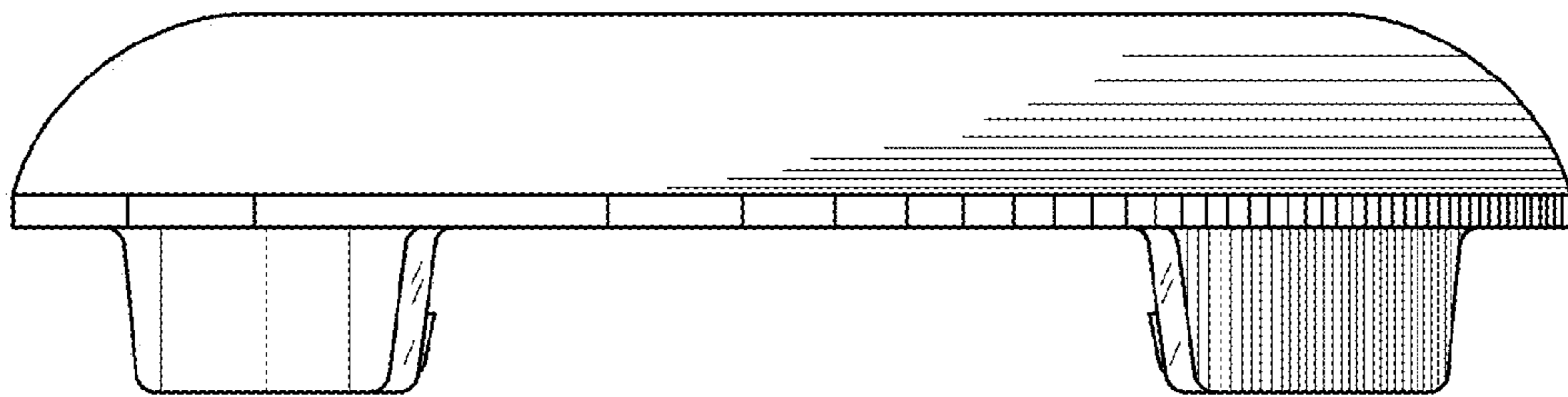


FIG. 17

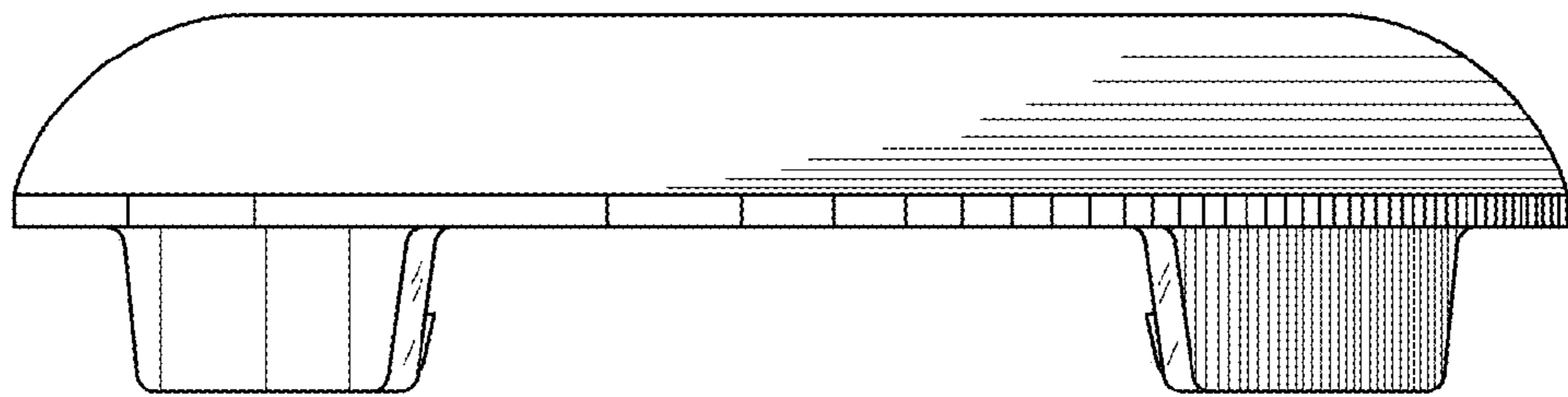


FIG. 18

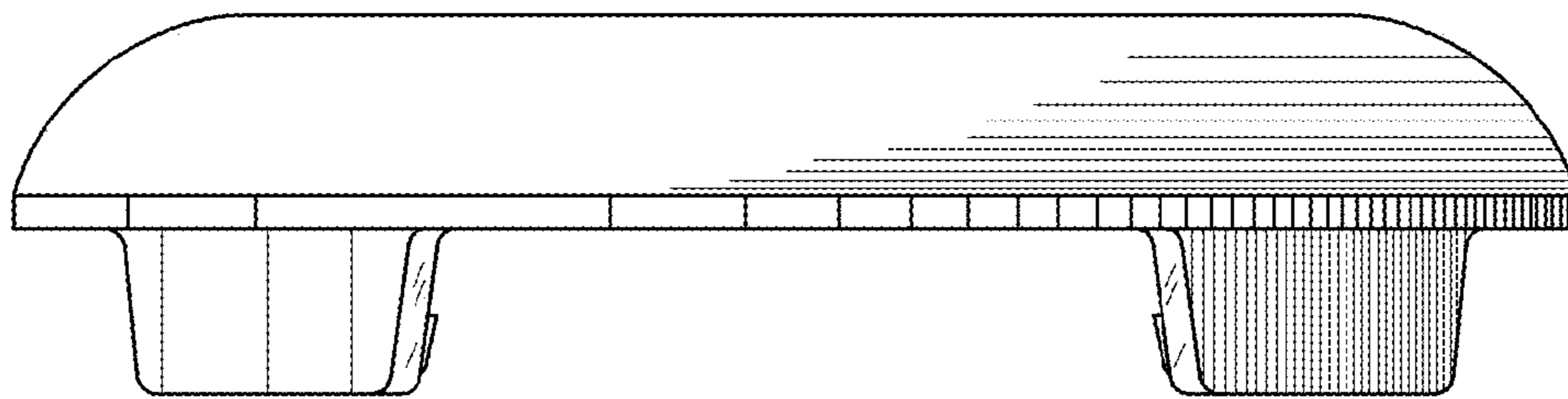


FIG. 19

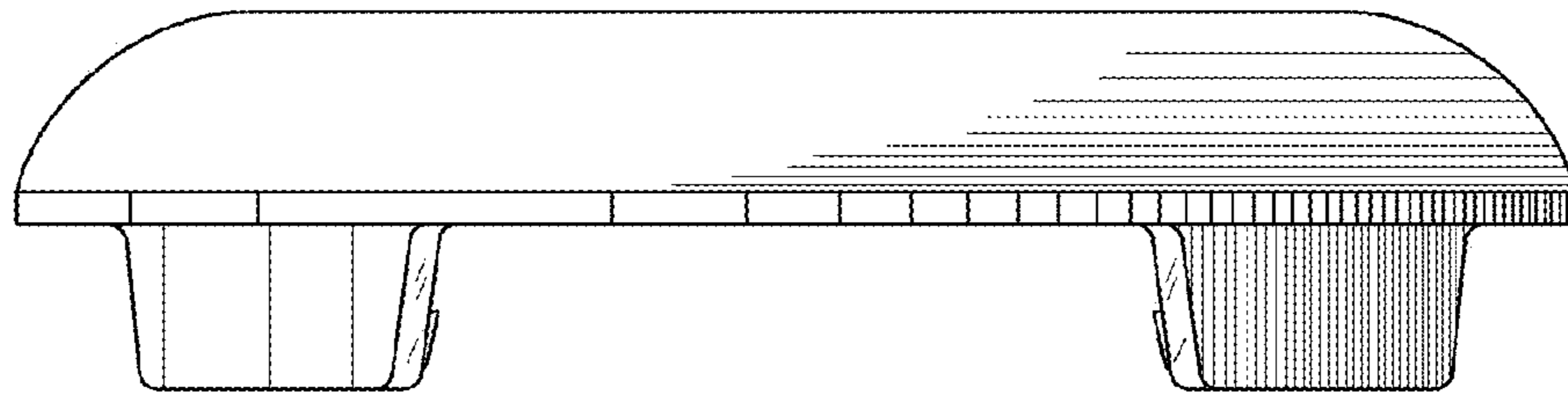


FIG. 20

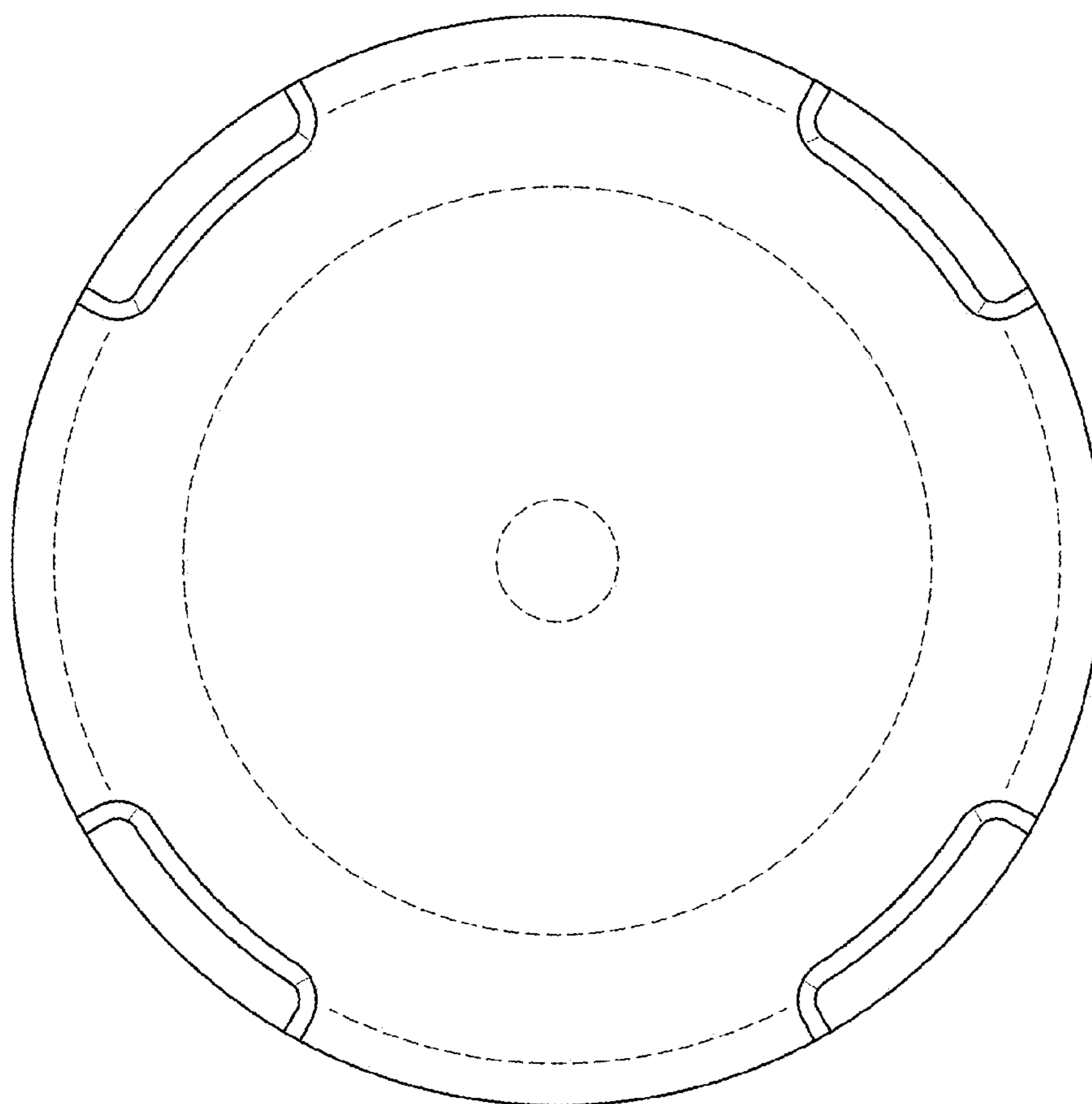


FIG. 21