



US00D763082S

(12) **United States Design Patent**
Bos et al.

(10) **Patent No.:** **US D763,082 S**
(45) **Date of Patent:** **** Aug. 9, 2016**

(54) **CAP**

(56) **References Cited**

(71) Applicant: **Reckitt Benckiser (Brands) Limited**,
Slough, Berkshire (GB)
(72) Inventors: **Randy Bos**, Eindhoven (NL); **Arnoldus**
Johannus Claassen, Eindhoven (NL)
(73) Assignee: **Reckitt Benckiser (Brands) Limited**,
Slough, Berkshire (GB)
(**) Term: **14 Years**
(21) Appl. No.: **29/511,061**
(22) Filed: **Dec. 5, 2014**

U.S. PATENT DOCUMENTS

D214,263	S	*	5/1969	McConnell	D9/450
D279,456	S	*	7/1985	Fortuna	D9/453
D283,307	S	*	4/1986	Bouthillier	D9/453
D309,261	S	*	7/1990	Weckman	D9/556
D370,633	S	*	6/1996	Stonehouse	D9/774
D418,419	S	*	1/2000	Briere	D9/438
D419,451	S	*	1/2000	Briere	D9/453
D421,223	S	*	2/2000	Briere	D9/438
D421,389	S	*	3/2000	Briere	D9/438
D521,871	S	*	5/2006	Forte	D9/556
D560,494	S	*	1/2008	Saint-Ignan	D9/449
D596,032	S	*	7/2009	Shin	D9/449
D635,025	S	*	3/2011	Stolle	D9/435
9,090,373	B2	*	7/2015	Hainaut	B65D 1/0223

* cited by examiner

Primary Examiner — Robert M Spear
Assistant Examiner — Darcey E Heflin
(74) *Attorney, Agent, or Firm* — Norris McLaughlin & Marcus PA

(30) **Foreign Application Priority Data**

Jun. 12, 2014 (EM) 002480905

(51) **LOC (10) Cl.** **09-07**

(52) **U.S. Cl.**
USPC **D9/449**

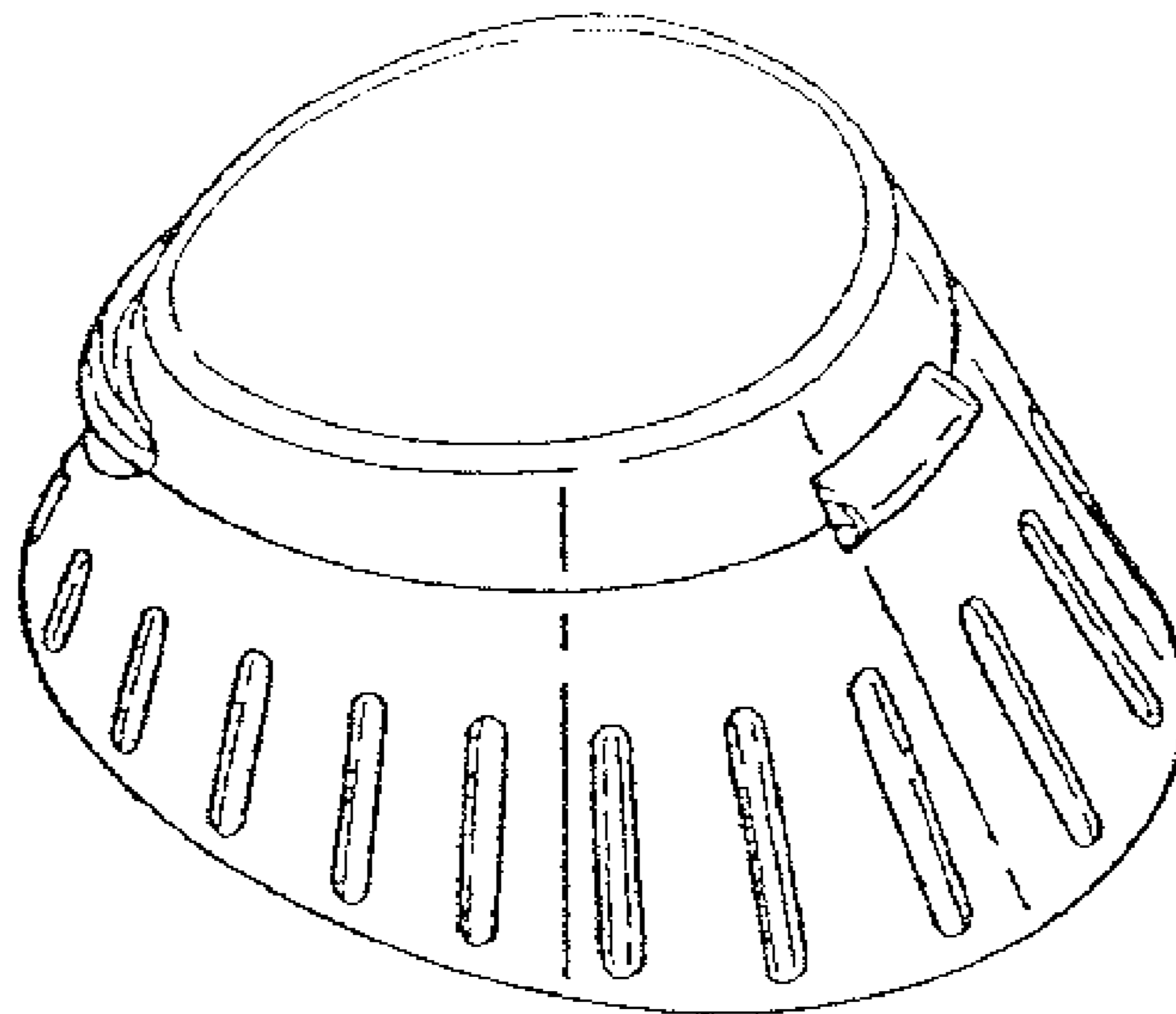
(58) **Field of Classification Search**
USPC D7/300, 316, 387, 397, 510, 511;
D9/420, 428, 429, 434-440, 443-447,
D9/449-454, 499, 504, 529, 556, 774,
D9/783; 215/252
CPC B65D 1/0223
See application file for complete search history.

(57) **CLAIM**
The ornamental design for a cap, as shown and described.

DESCRIPTION

FIG. 1 is a front and side perspective view of a cap;
FIG. 2 is a front elevational view thereof;
FIG. 3 is a rear elevational view thereof;
FIG. 4 is a left side elevational view thereof;
FIG. 5 is a right side elevational view thereof;
FIG. 6 is a top plan view thereof; and,
FIG. 7 is a bottom plan view thereof.

1 Claim, 1 Drawing Sheet



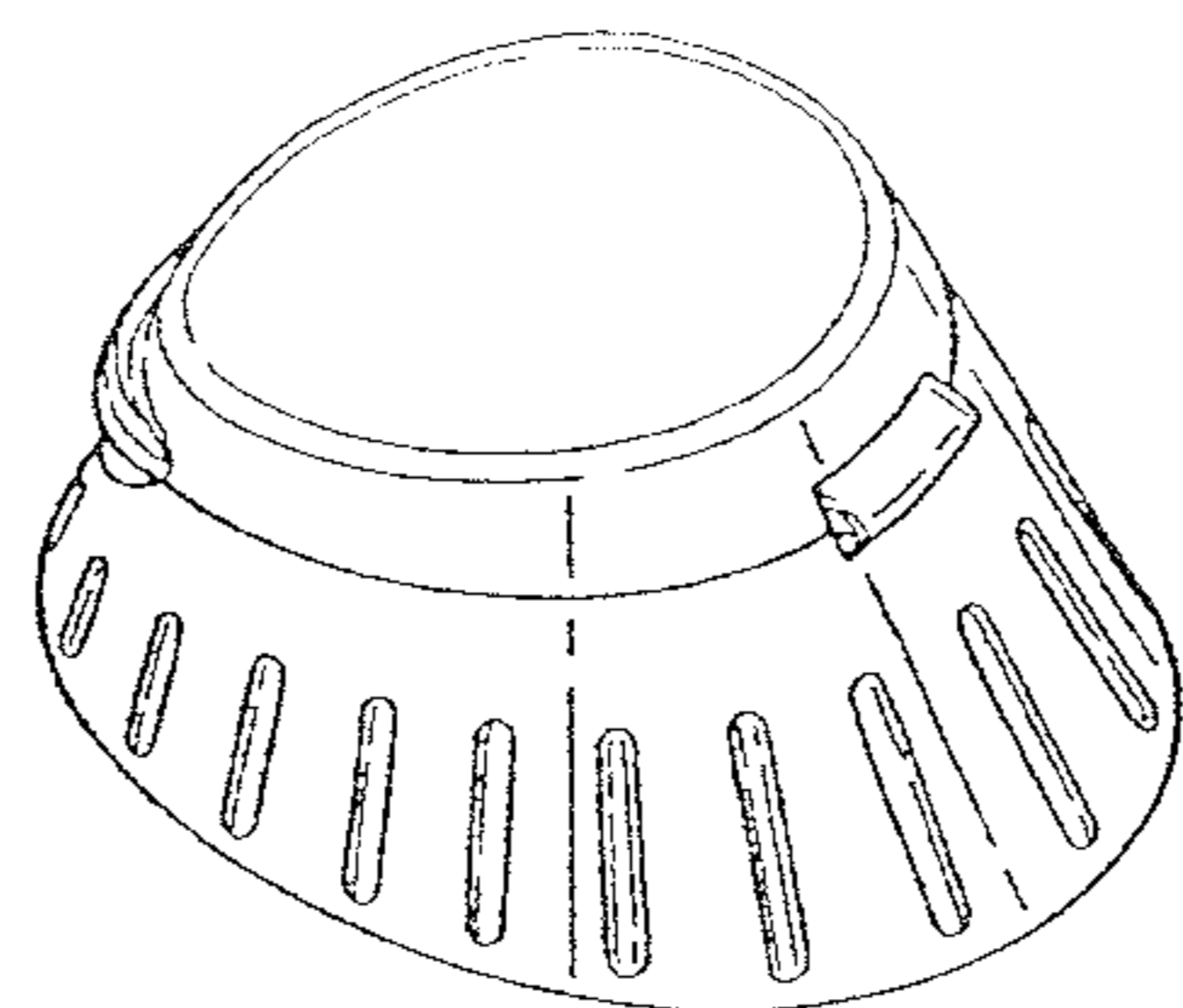


Fig.1

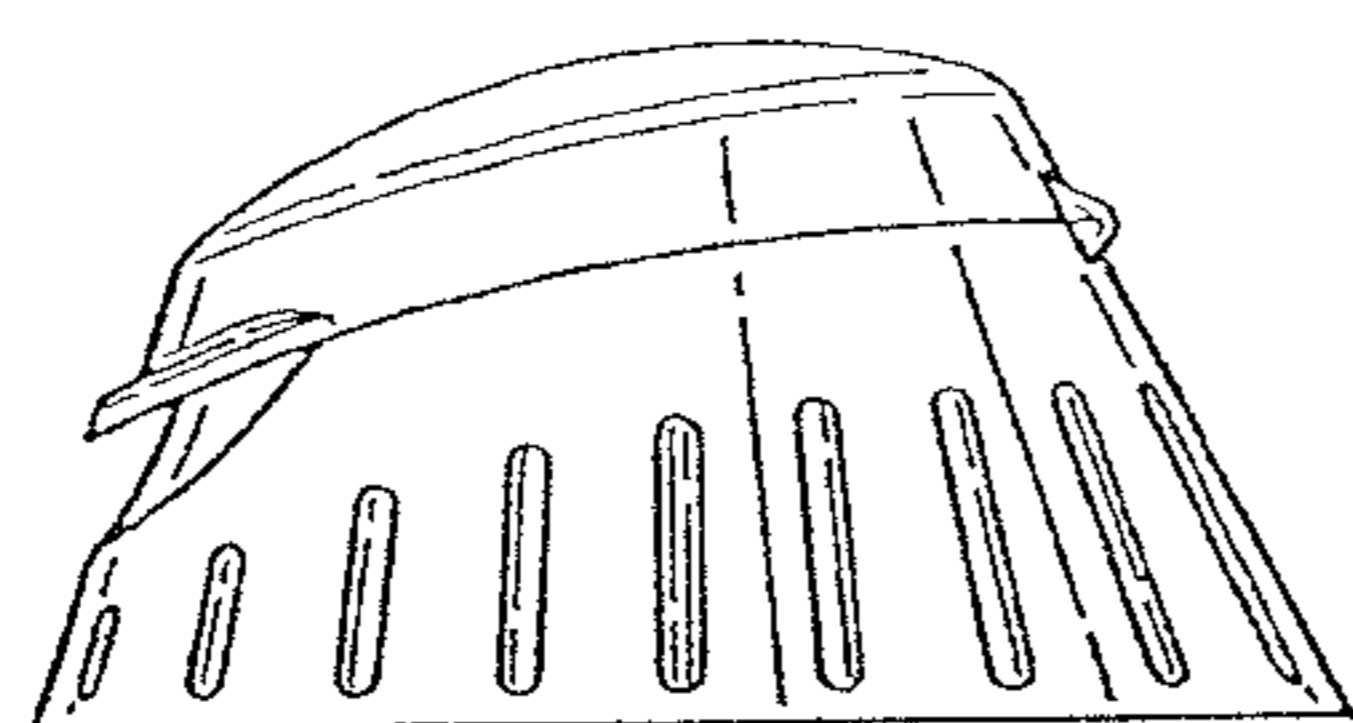


Fig.2

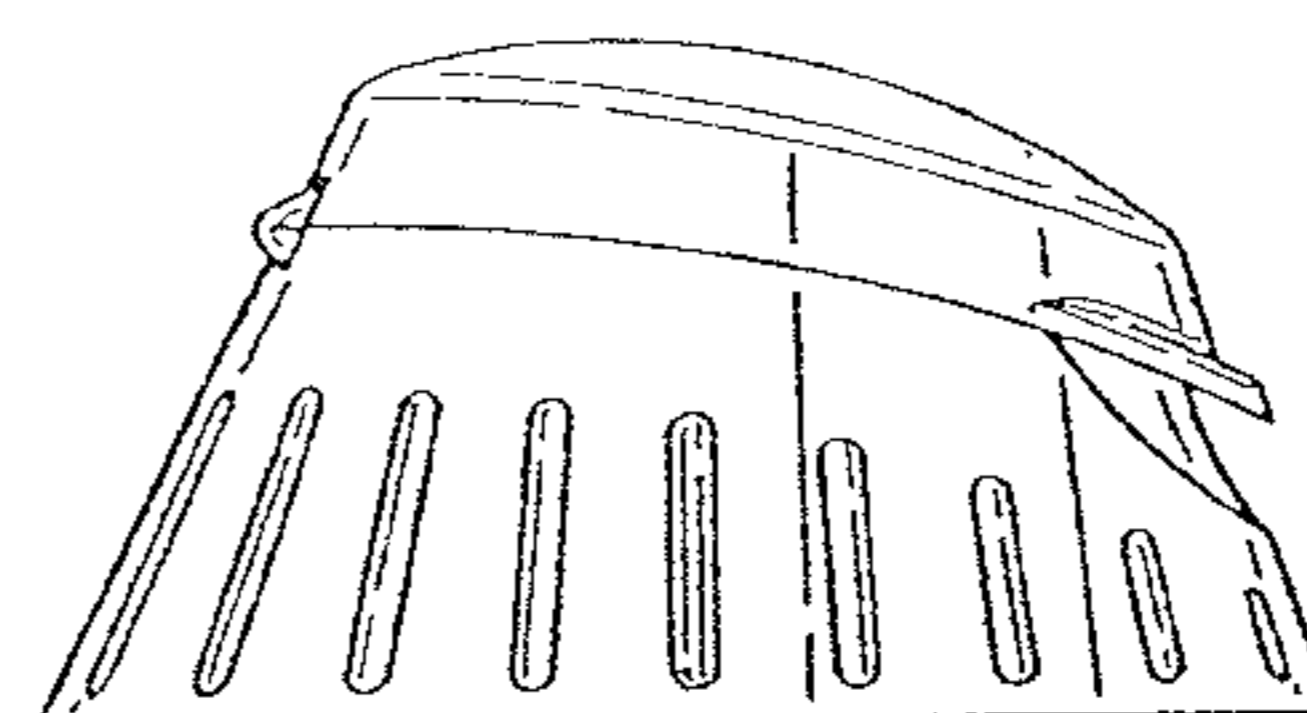


Fig.3

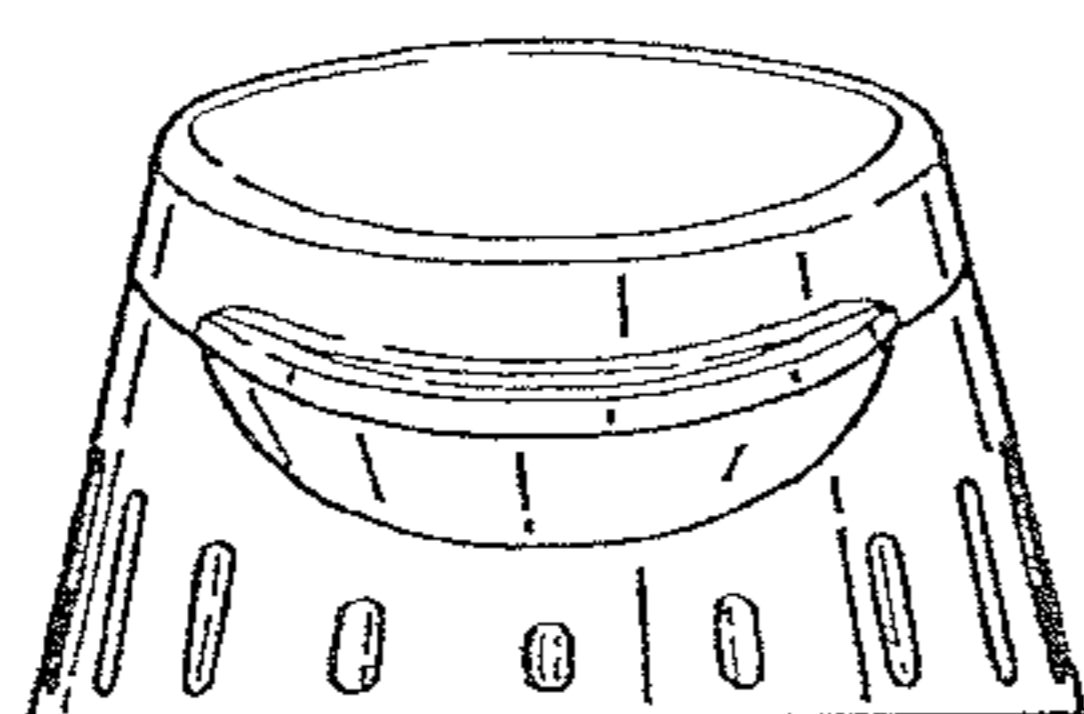


Fig.4

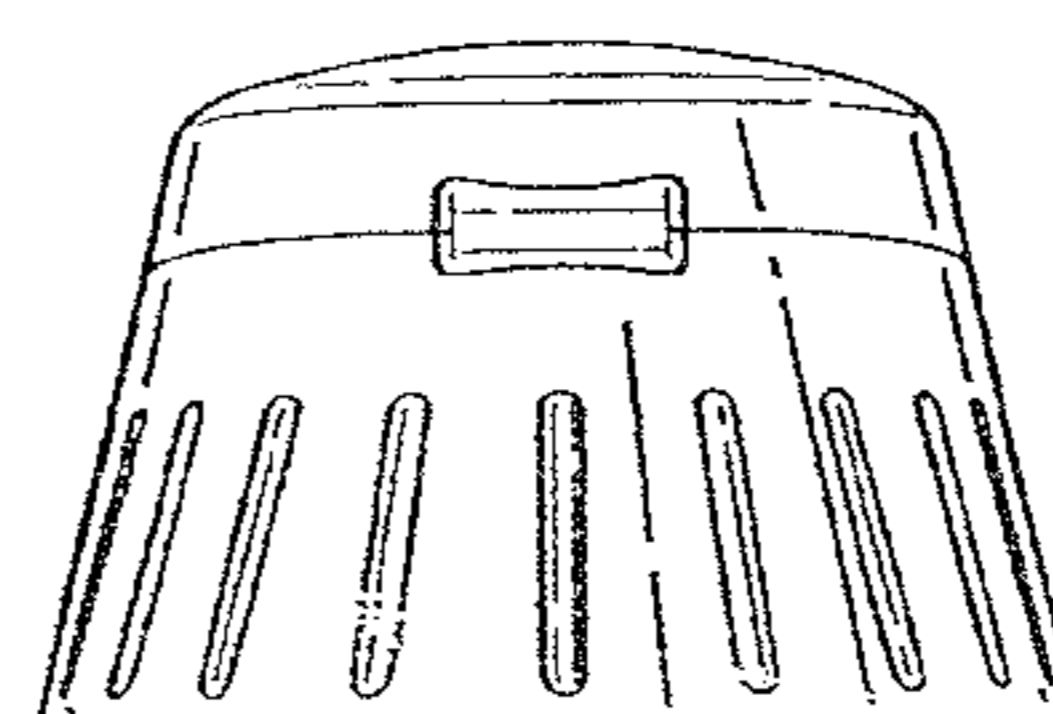


Fig.5

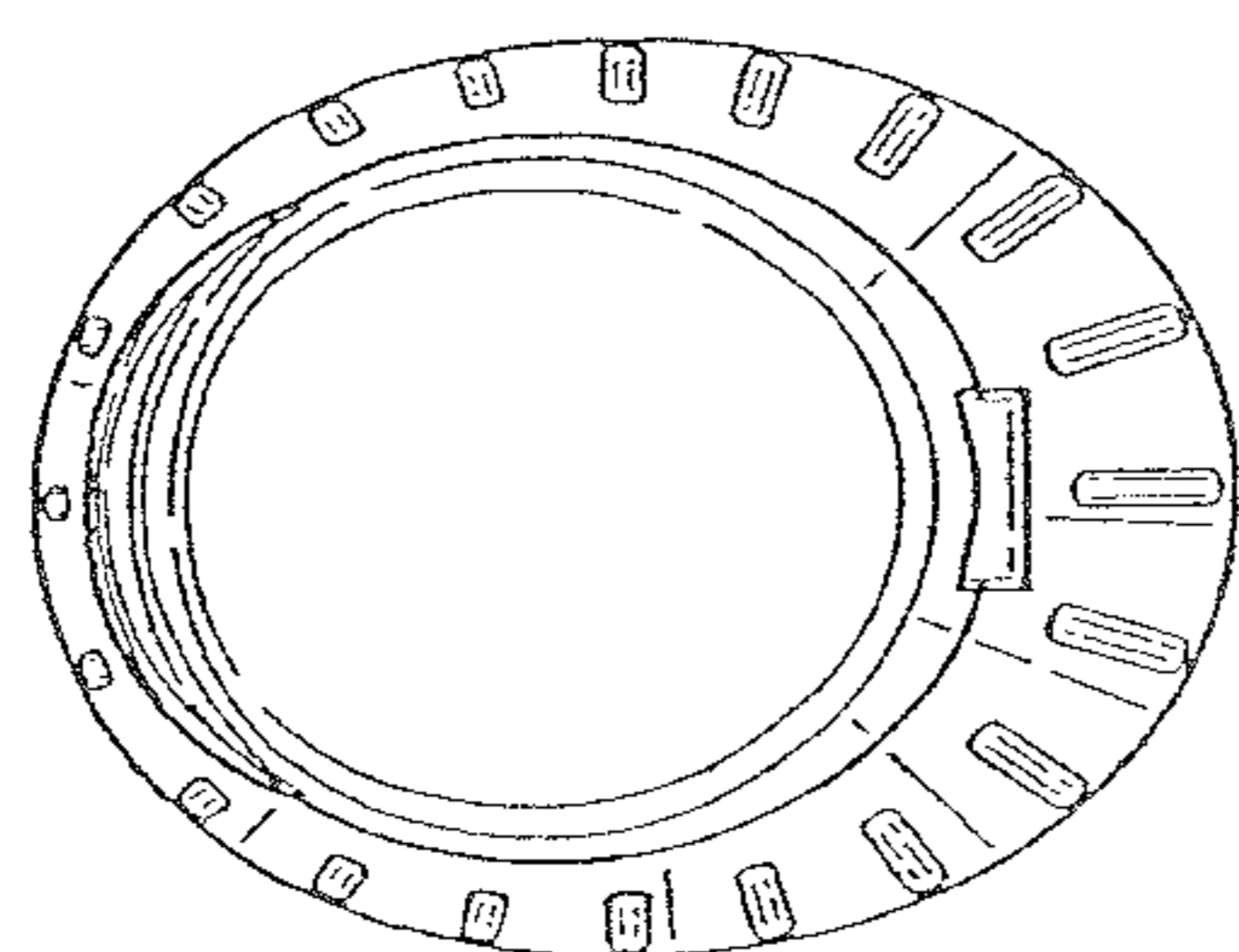


Fig.6

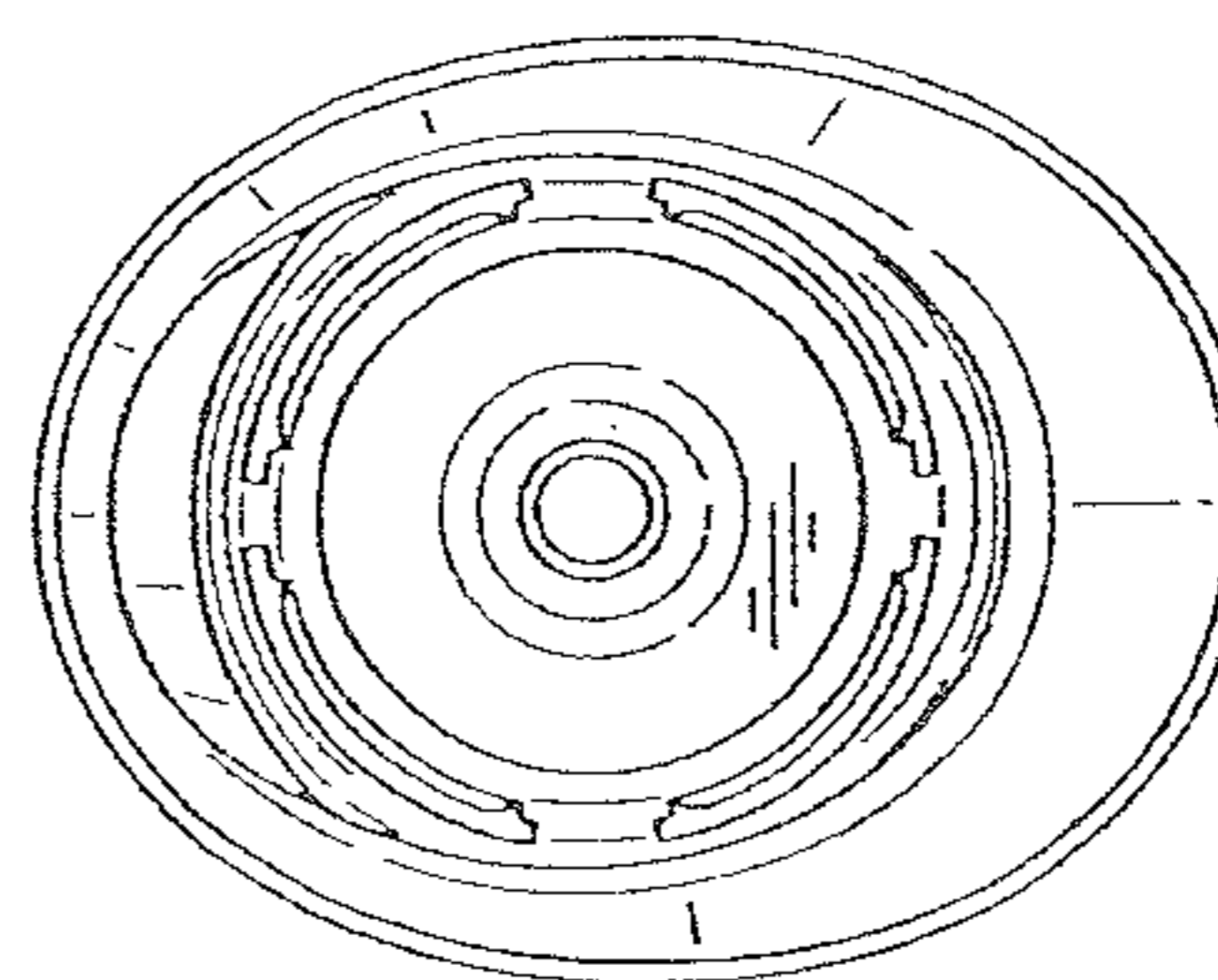


Fig.7