



US00D763081S

(12) **United States Design Patent**
Cardinal et al.

(10) **Patent No.:** **US D763,081 S**

(45) **Date of Patent:** **** Aug. 9, 2016**

(54) **DEVICE FOR INCORPORATING AN ACTIVE LAUNDRY INGREDIENT INTO A FABRIC**

(71) Applicant: **The Dial Corporation**, Scottsdale, AZ (US)

(72) Inventors: **Keith Anthony Cardinal**, Gilbert, AZ (US); **Katja Gerhards**, Duesseldorf (DE); **Julia Breisinger**, Duesseldorf (DE)

(73) Assignee: **The Dial Corporation**, Scottsdale, AZ (US)

(**) Term: **14 Years**

(21) Appl. No.: **29/496,507**

(22) Filed: **Jul. 14, 2014**

(51) **LOC (10) Cl.** **09-07**

(52) **U.S. Cl.**
USPC **D9/449**; D4/127; D4/136; D9/434; D9/435; D9/436

(58) **Field of Classification Search**

USPC D3/201, 202, 203.1; D4/127, 128, 136; D7/510, 511; D9/434, 435, 436, 447, D9/454; D24/121, 199; 206/210, 223, 232, 206/387.11, 439, 457, 459.1, 495.5; 215/226, 228, 379, 381, 382, 385, 386, 215/390, 392, 687; 401/137, 148, 268
CPC A45D 34/00; A45D 34/042; A45D 40/22; A45D 2040/0006; A45D 2040/0093; A47G 19/22; A47G 19/2205; A47G 19/2255; A47G 19/2266; A62C 31/02; B65D 1/02; B65D 1/0233; B65D 1/08; B65D 1/10; B65D 23/00; B65D 23/08; B65D 25/00; B65D 25/40; B65D 25/42; B65D 25/46; B65D 25/48; B65D 25/77; B65D 39/00; B65D 39/0047; B65D 41/00; B65D 43/02; B65D 51/02; B65D 51/04; B05B 17/00; B05B 15/002

See application file for complete search history.

(56) **References Cited**

U.S. PATENT DOCUMENTS

D266,116 S * 9/1982 Deconinck D4/127
D272,235 S * 1/1984 Orlando D9/436

(Continued)

FOREIGN PATENT DOCUMENTS

CN 302807719 * 4/2014
GB 2027995 * 6/1993

OTHER PUBLICATIONS

Tide Ultra Stain Release Liquid: Announced Mar. 10, 2014 [online] site visited [Nov. 10, 2015]. Available from Internet URL: <http://tide.com/en-us/shop/type/liquid/tide-ultra-stain-release-liquid>.*

Primary Examiner — Thomas Johannes

Assistant Examiner — Catherine Posthauer

(74) *Attorney, Agent, or Firm* — Steven L. Nichols; Fabian VanCott

(57) **CLAIM**

The ornamental design for a device for incorporating an active laundry ingredient into a fabric, as shown and described.

DESCRIPTION

FIG. 1 is a side view of the device for incorporating an active laundry ingredient into a fabric shown in a usage environment forming no part of the claimed design;

FIG. 2 is an isometric view of the device for incorporating an active laundry ingredient into a fabric, shown enlarged for clarity of surface detail.

FIG. 3 is top view thereof.

FIG. 4 is a front view thereof.

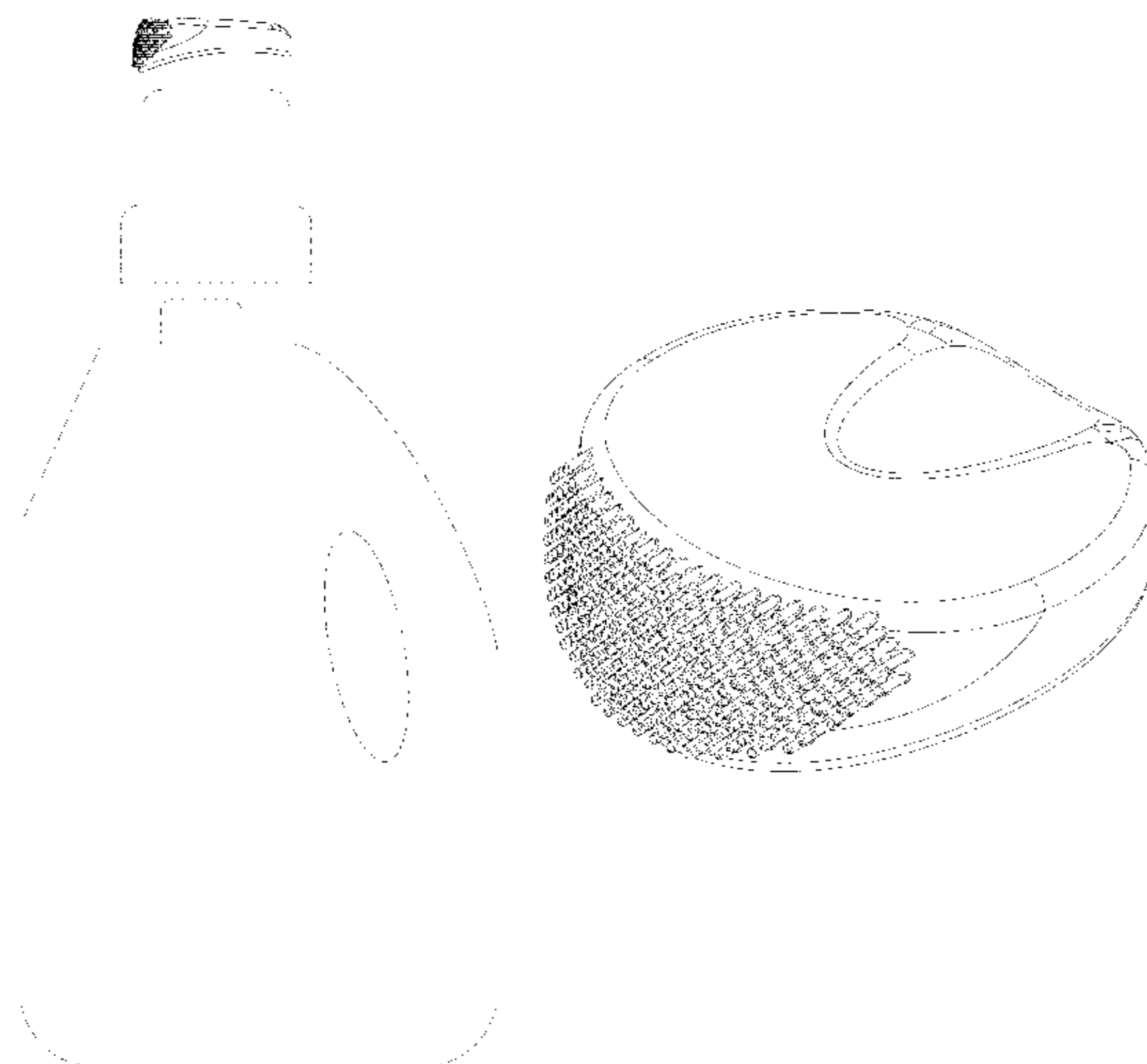
FIG. 5 is a side view thereof.

FIG. 6 is another side view thereof; and,

FIG. 7 is bottom view thereof.

The broken lines are shown for the purpose of illustrating environmental structure and portions of the article that form no part of the claimed design.

1 Claim, 4 Drawing Sheets



(56)

References Cited

U.S. PATENT DOCUMENTS

4,566,508 A * 1/1986 Bowyer B65D 41/26
 141/381
 4,974,984 A * 12/1990 Kafkis A45D 34/042
 401/186
 D417,961 S * 12/1999 Powis, Jr. D4/127
 6,036,389 A * 3/2000 Zima A46B 11/0013
 401/137
 D467,083 S * 12/2002 Chen D4/127
 D510,863 S * 10/2005 Juhng D9/436
 D521,738 S * 5/2006 Huller D4/124
 D521,739 S * 5/2006 Huller D4/127
 D545,015 S * 6/2007 Santiago D32/35
 D612,614 S * 3/2010 Maxwell D4/114
 D612,615 S * 3/2010 Chitayat D4/129
 7,988,539 B2 * 8/2011 Palushaj A46B 13/008
 451/350
 D654,792 S * 2/2012 Bertelsen D9/436
 D689,364 S * 9/2013 Sanders D9/436

D689,700 S * 9/2013 Lee D4/114
 D699,037 S * 2/2014 Morrison D4/127
 D702,949 S * 4/2014 Dunivan D4/114
 D715,553 S * 10/2014 Brewer D4/102
 D715,558 S * 10/2014 Brewer D4/102
 D728,943 S * 5/2015 Carpentier D4/102
 D731,897 S * 6/2015 Cook D9/725
 2007/0071535 A1 * 3/2007 Young A47L 13/12
 401/138
 2009/0314738 A1 12/2009 Siacunco et al.
 2011/0162151 A1 7/2011 Chawla et al.
 2011/0179585 A1 7/2011 Chawla et al.
 2011/0179586 A1 7/2011 Chawla et al.
 2011/0179587 A1 7/2011 Chawla et al.
 2011/0311296 A1 12/2011 Chawla et al.
 2012/0297552 A1 11/2012 Davis
 2012/0324653 A1 12/2012 Chawla et al.
 2012/0324655 A1 12/2012 Chawla et al.
 2014/0001071 A1 1/2014 Sanders et al.
 2014/0059784 A1 3/2014 Chawla et al.

* cited by examiner

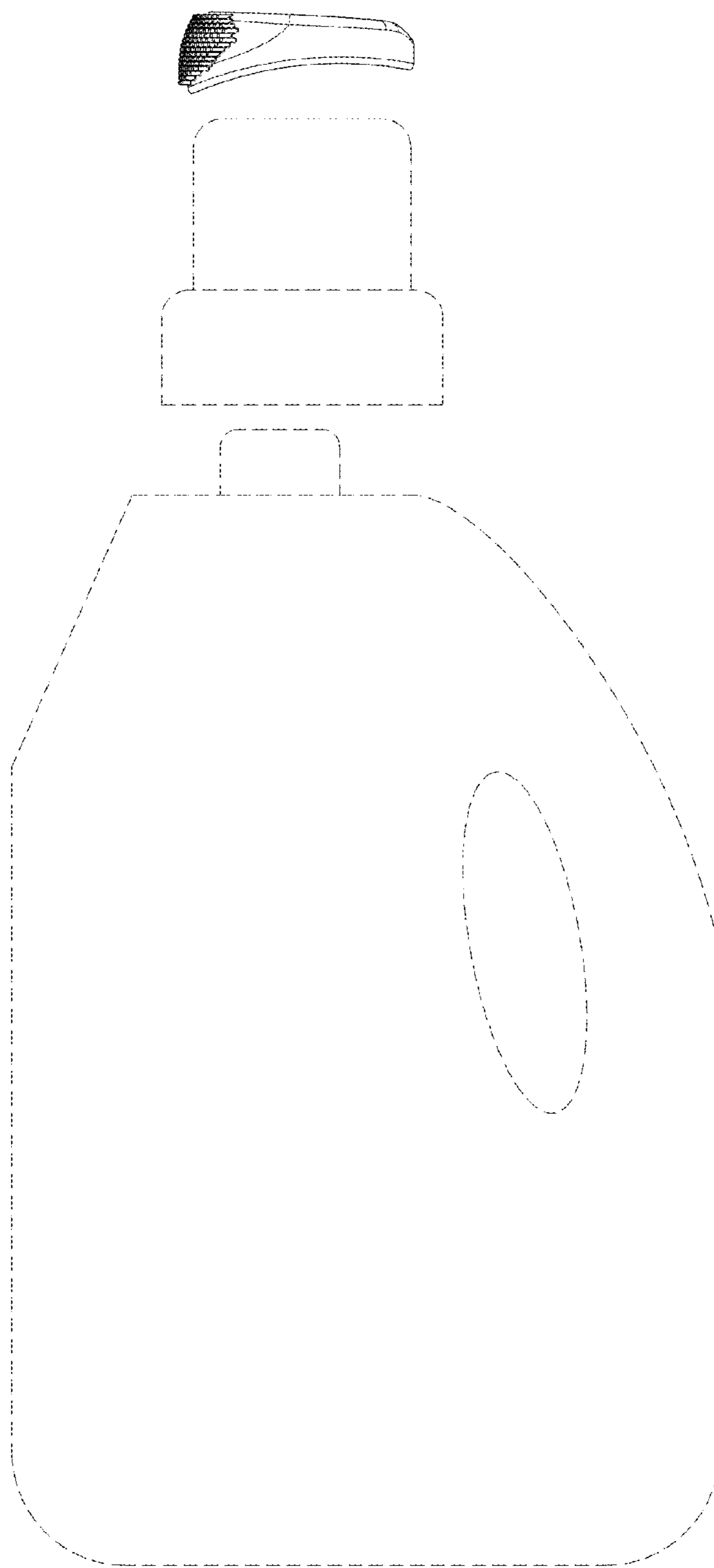


FIG. 1

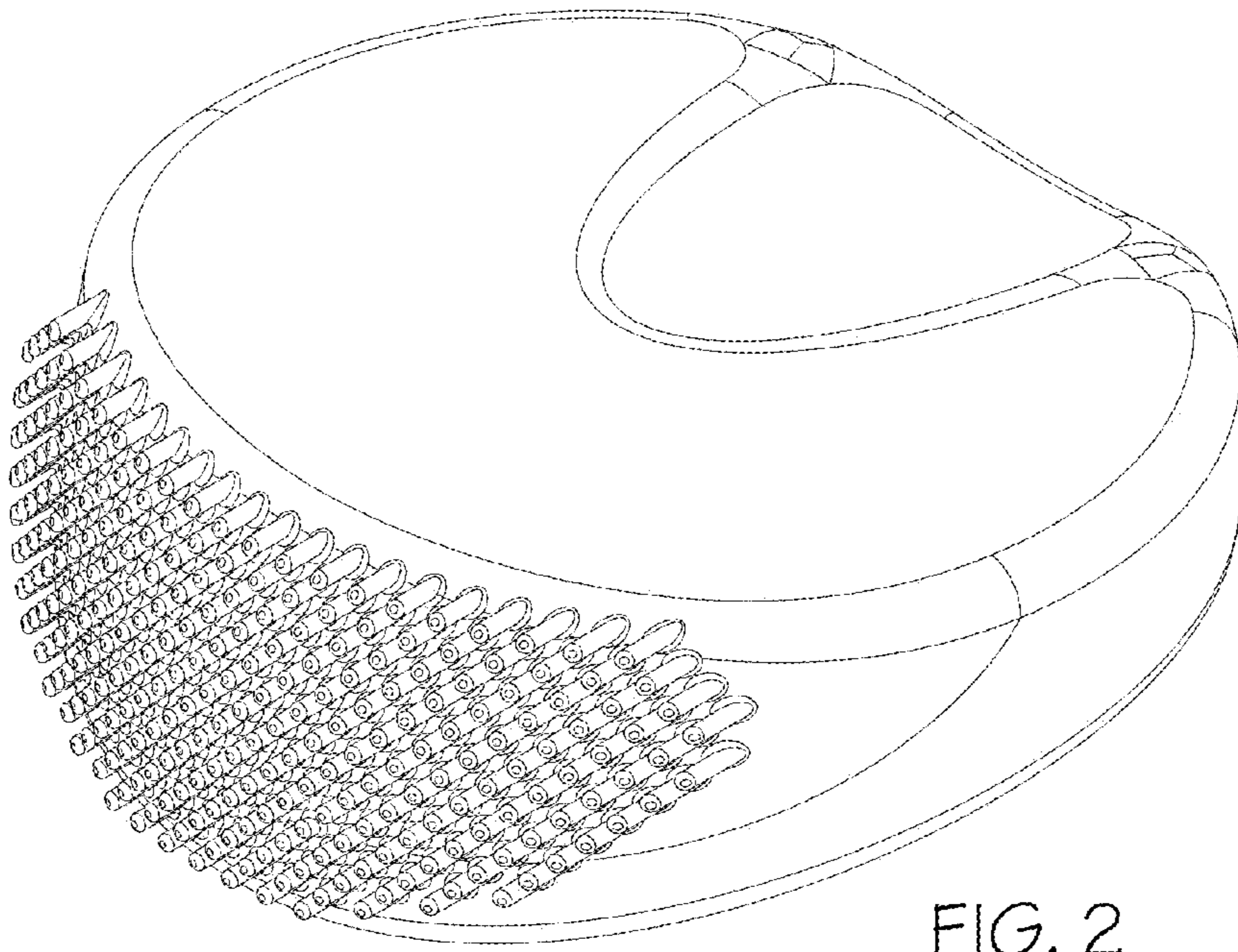


FIG. 2

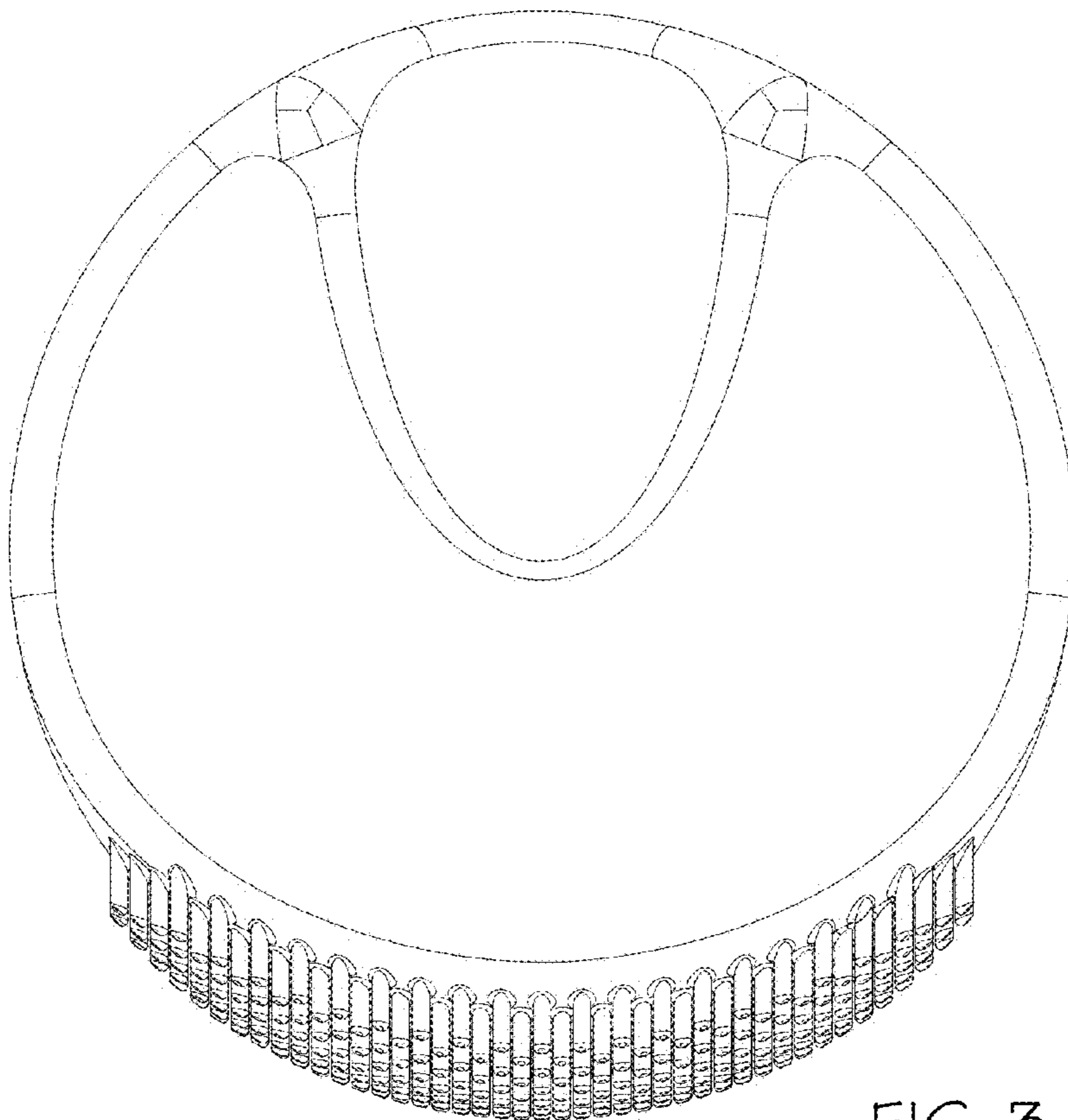


FIG. 3

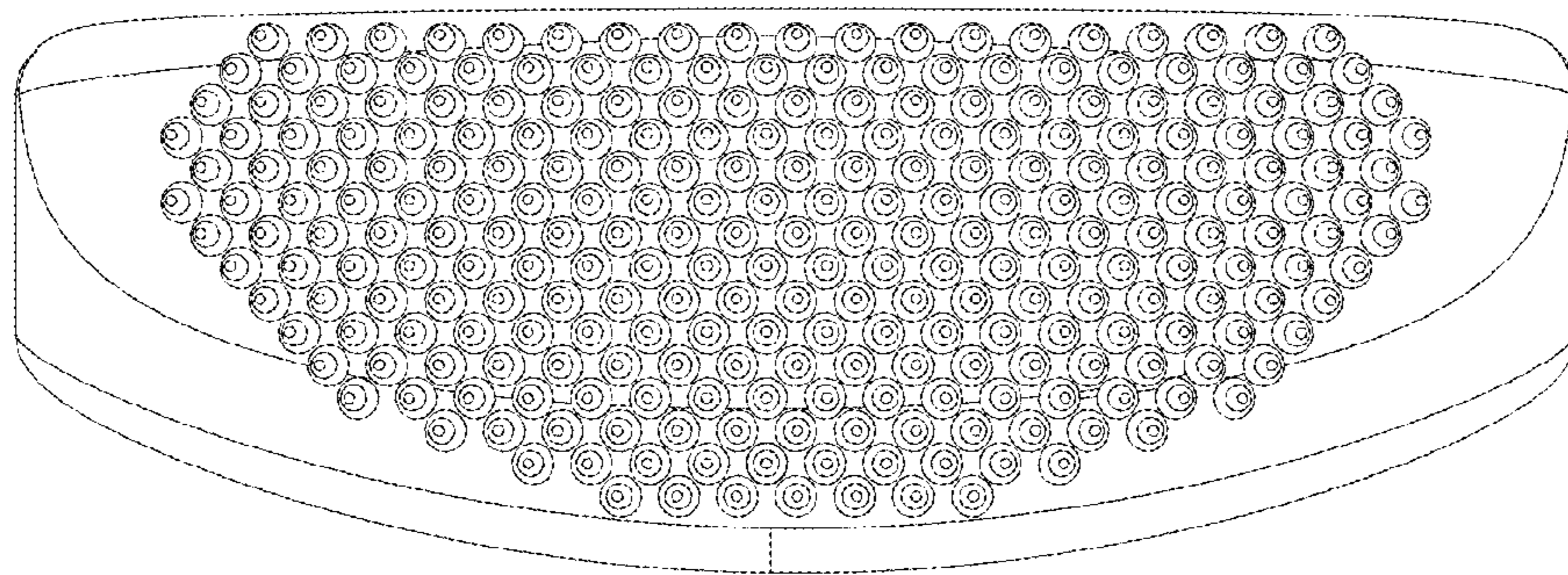


FIG. 4

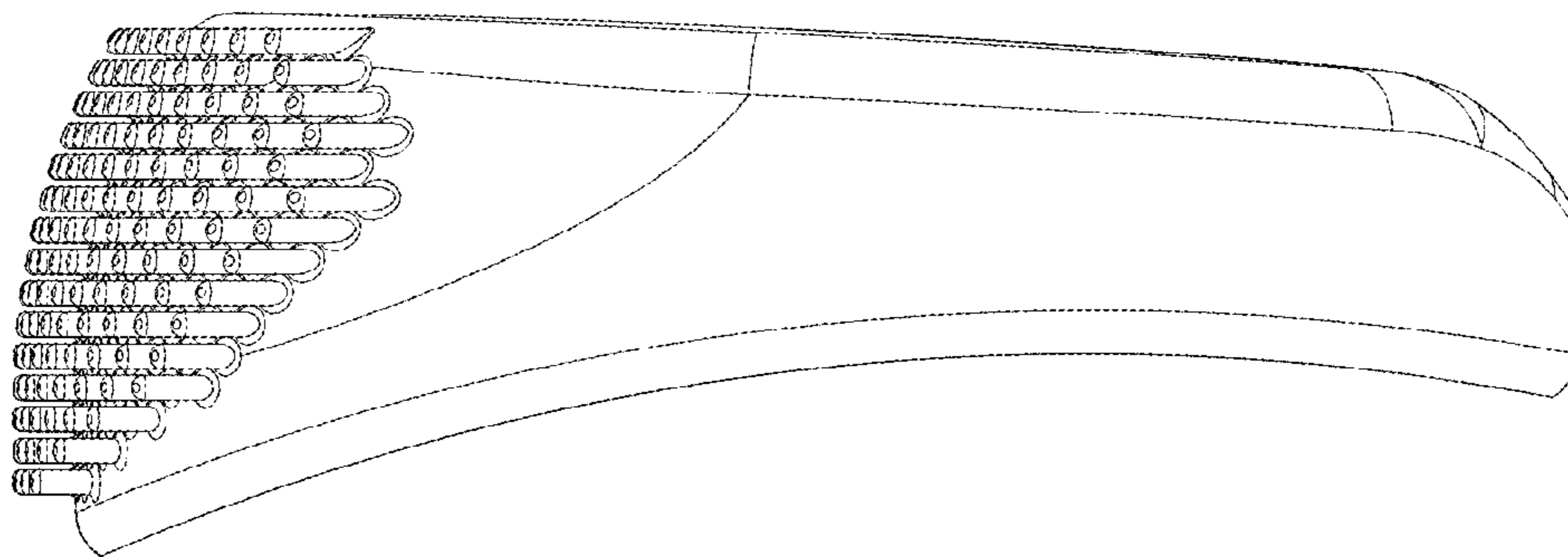


FIG. 5

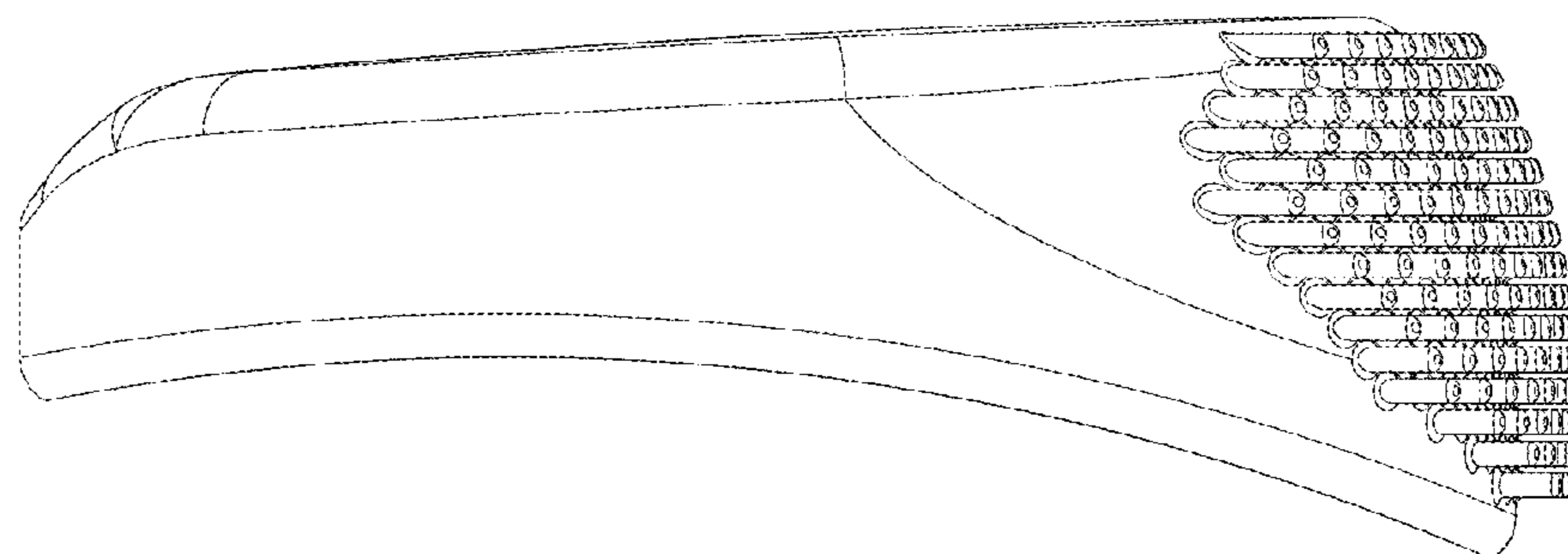


FIG. 6

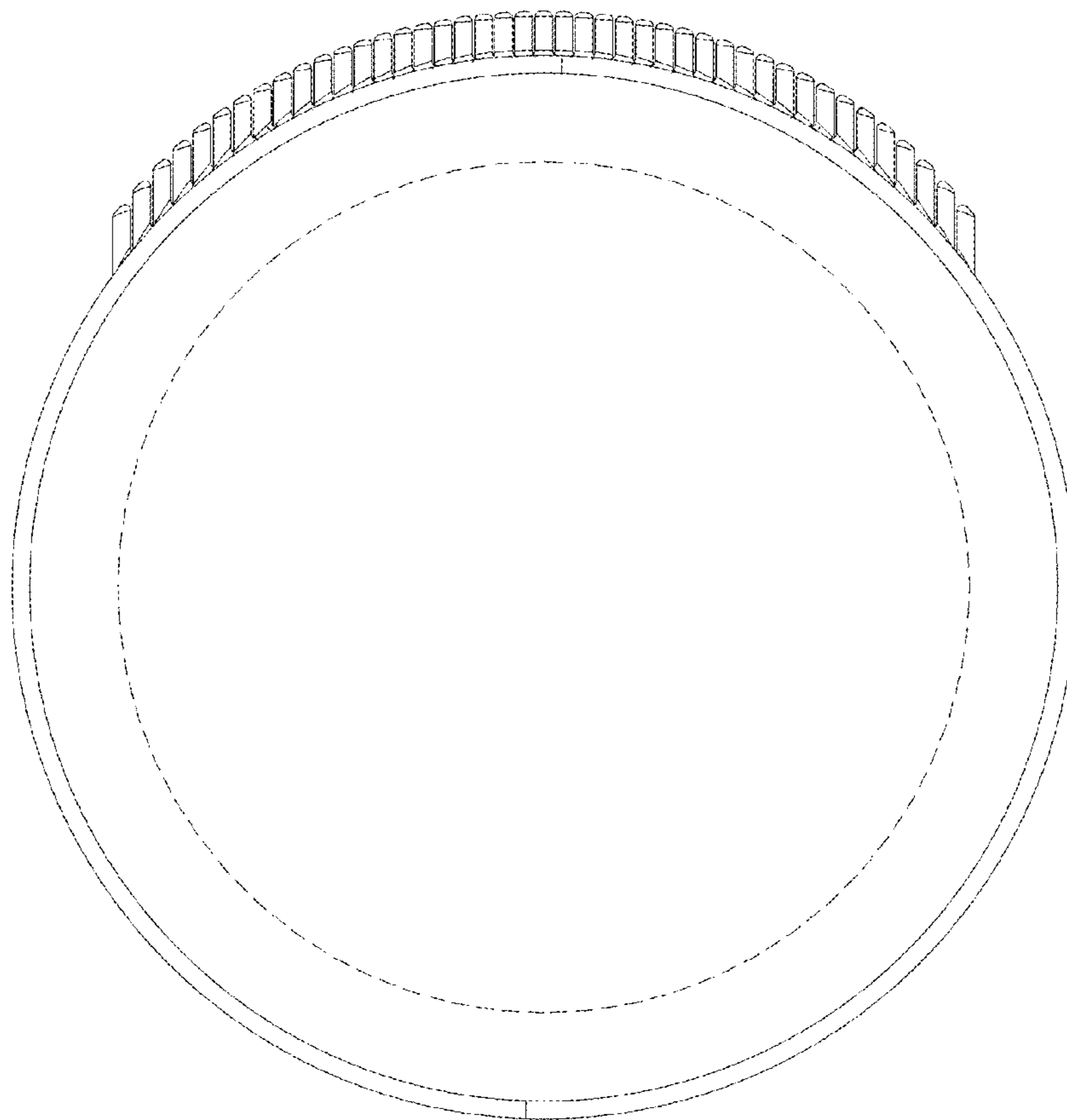


FIG. 7