



US00D763079S

(12) **United States Design Patent**
Sturk

(10) **Patent No.:** **US D763,079 S**
(45) **Date of Patent:** **** Aug. 9, 2016**

(54) **CLOSURE VENT WITH BODY SKIRT AND HINGED CAP**

(71) Applicant: **Ronald Sturk**, Brampton (CA)

(72) Inventor: **Ronald Sturk**, Brampton (CA)

(73) Assignee: **APC PRODUCTS LIMITED**,
Brampton (CA)

(**) Term: **15 Years**

(21) Appl. No.: **29/528,911**

(22) Filed: **Jun. 2, 2015**

(51) **LOC (10) Cl.** **09-07**

(52) **U.S. Cl.**
USPC **D9/447**

(58) **Field of Classification Search**
USPC D9/429, 434-436, 439-454, 499, 600,
D9/601, 614-617, 620, 623, 624, 628;
D7/387, 392, 393, 396.2, 510, 511,
D7/514-517, 598, 599, 612.2, 623, 628;
D3/202, 294, 318
CPC A61J 1/1412; B65D 1/02; B65D 1/323;
B65D 1/0246; B65D 25/40; B65D 25/42;
B65D 25/44; B65D 41/56; B65D 41/62;
B65D 47/06; B65D 47/08
See application file for complete search history.

(56) **References Cited**

U.S. PATENT DOCUMENTS

2,764,199	A *	9/1956	Tupper	B65D 47/0885
					16/265
3,380,609	A *	4/1968	Potts	B65D 41/42
					215/254
3,410,436	A *	11/1968	Foss	B65D 51/1677
					215/249
D319,786	S *	9/1991	Rayner	D9/438
D363,671	S *	10/1995	Mueller	D7/392.1
D364,810	S *	12/1995	Meisner	D9/446

D469,353	S *	1/2003	Sturk	D9/443
D475,925	S *	6/2003	Sturk	D9/435
D514,935	S *	2/2006	Sturk	D9/449
D612,236	S *	3/2010	Sturk	D9/443
D646,971	S *	10/2011	Chmela	D9/438
D674,277	S *	1/2013	Hanson	D9/446
2003/0192899	A1 *	10/2003	Sturk	B65D 43/0212
					220/792

* cited by examiner

Primary Examiner — Karen S Acker

Assistant Examiner — Wendy Arminio

(74) *Attorney, Agent, or Firm* — Eugene J. A. Gierczak

(57) **CLAIM**

The ornamental design for a closure vent with body skirt and hinged cap, as shown and described.

DESCRIPTION

FIG. 1 is a perspective view of a closure vent with body skirt and hinged cap with the resealable cap shown in an open position.

FIG. 2 is a side view thereof.

FIG. 3 is a partial cross-sectional side view of the design of FIG. 1 taken along line 3-3 of FIG. 5 showing the resealable cap in an open position and the frangible vent located near the body center axis in a closed position.

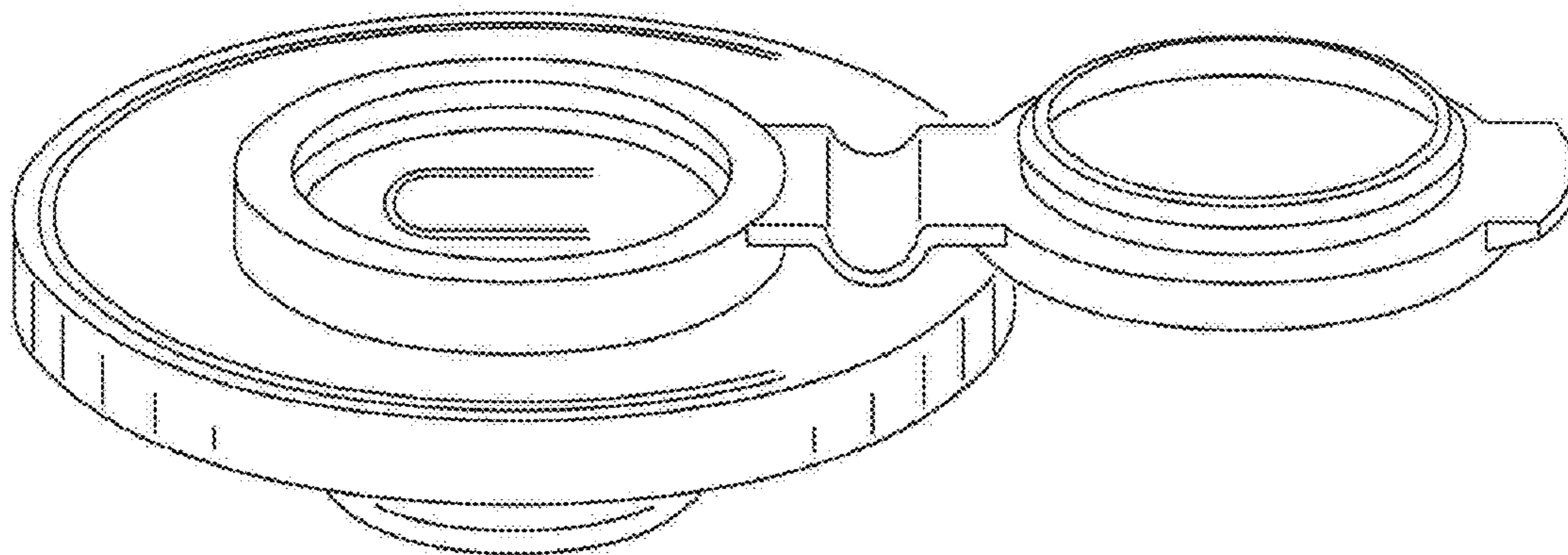
FIG. 4 is a partial cross-sectional side view of the design of FIG. 1 taken along line 4-4 of FIG. 5 showing the resealable cap in a partially closed position and the frangible vent located near the body center axis in an open position.

FIG. 5 is a top view of the closure vent with body skirt and hinged cap of FIG. 1; and,

FIG. 6 is a bottom view thereof.

The design consists of the features of shape, pattern and configuration of a vent closure for plastic pails consisting of a cylindrical body with skirt, frangible vent near the body center axis and a resealable cap attached to the body with a flexible hinge.

1 Claim, 3 Drawing Sheets



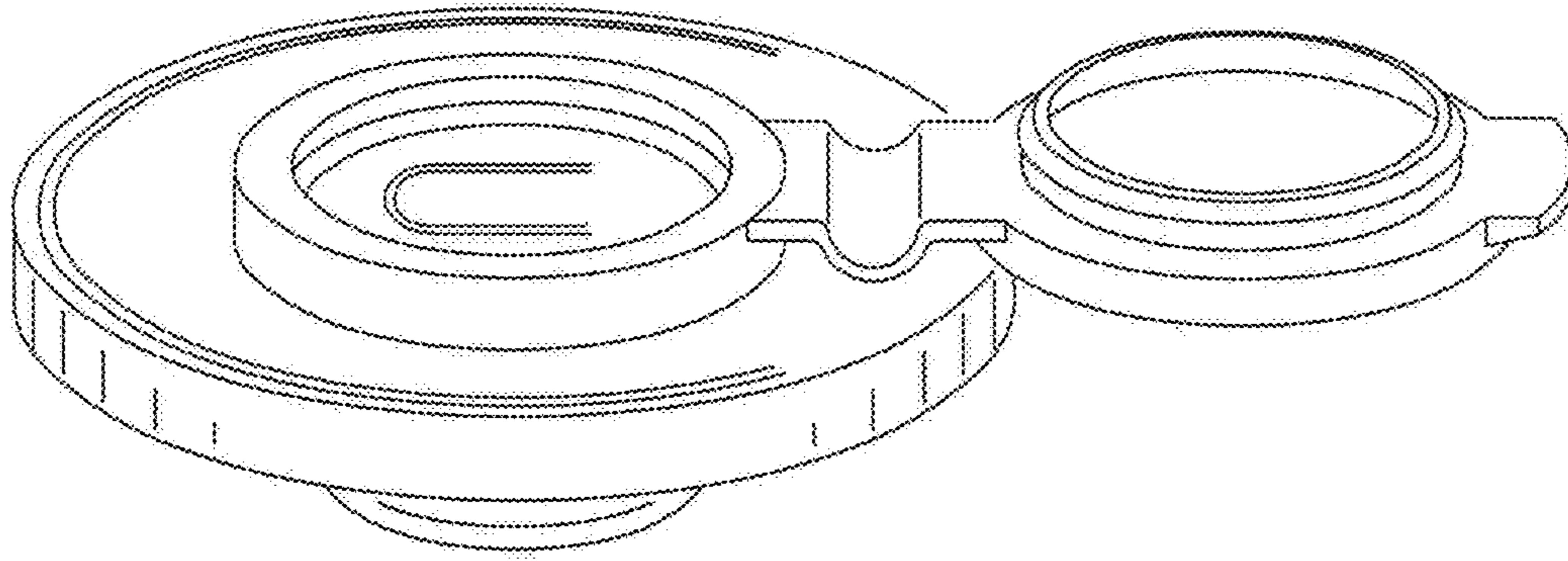


FIGURE 1

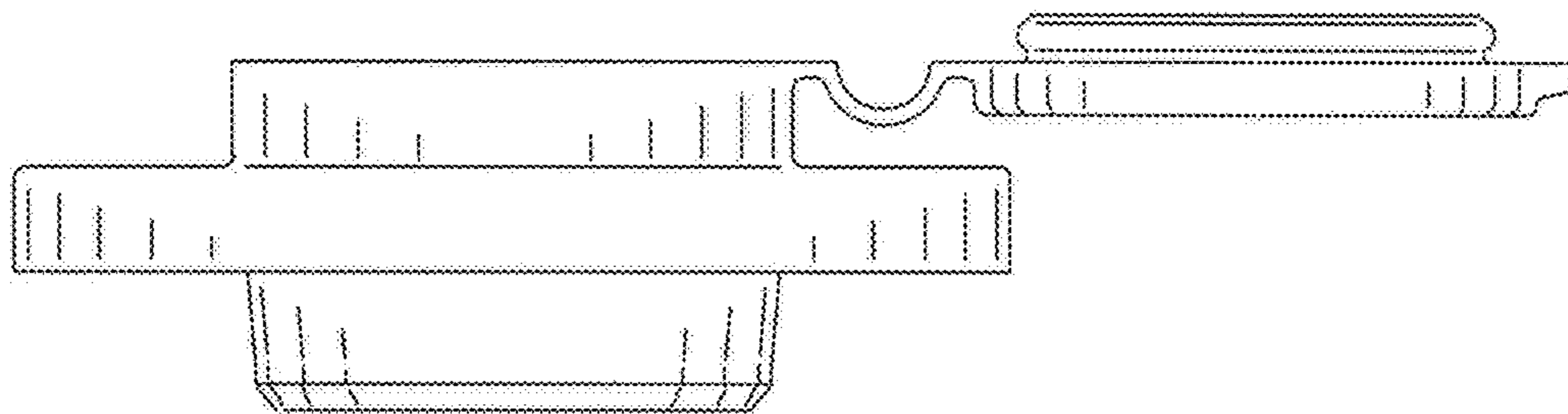


FIGURE 2

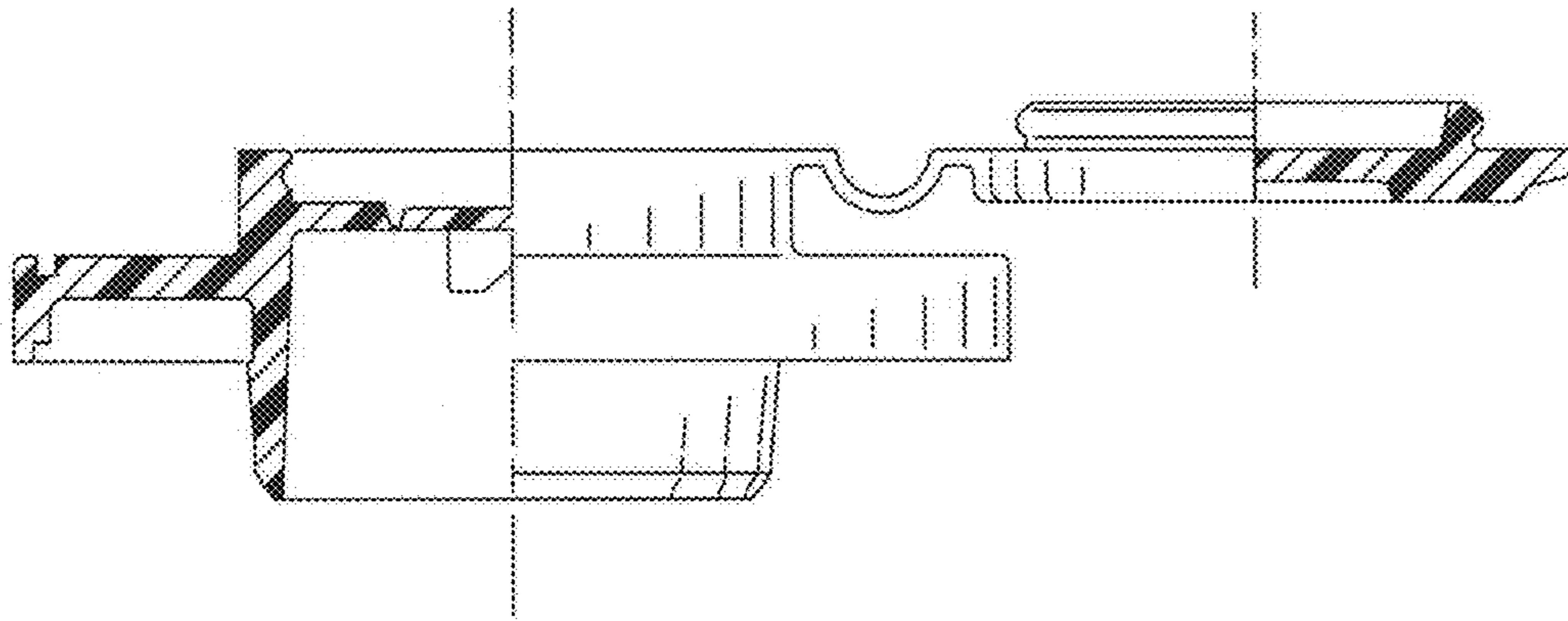


FIGURE 3

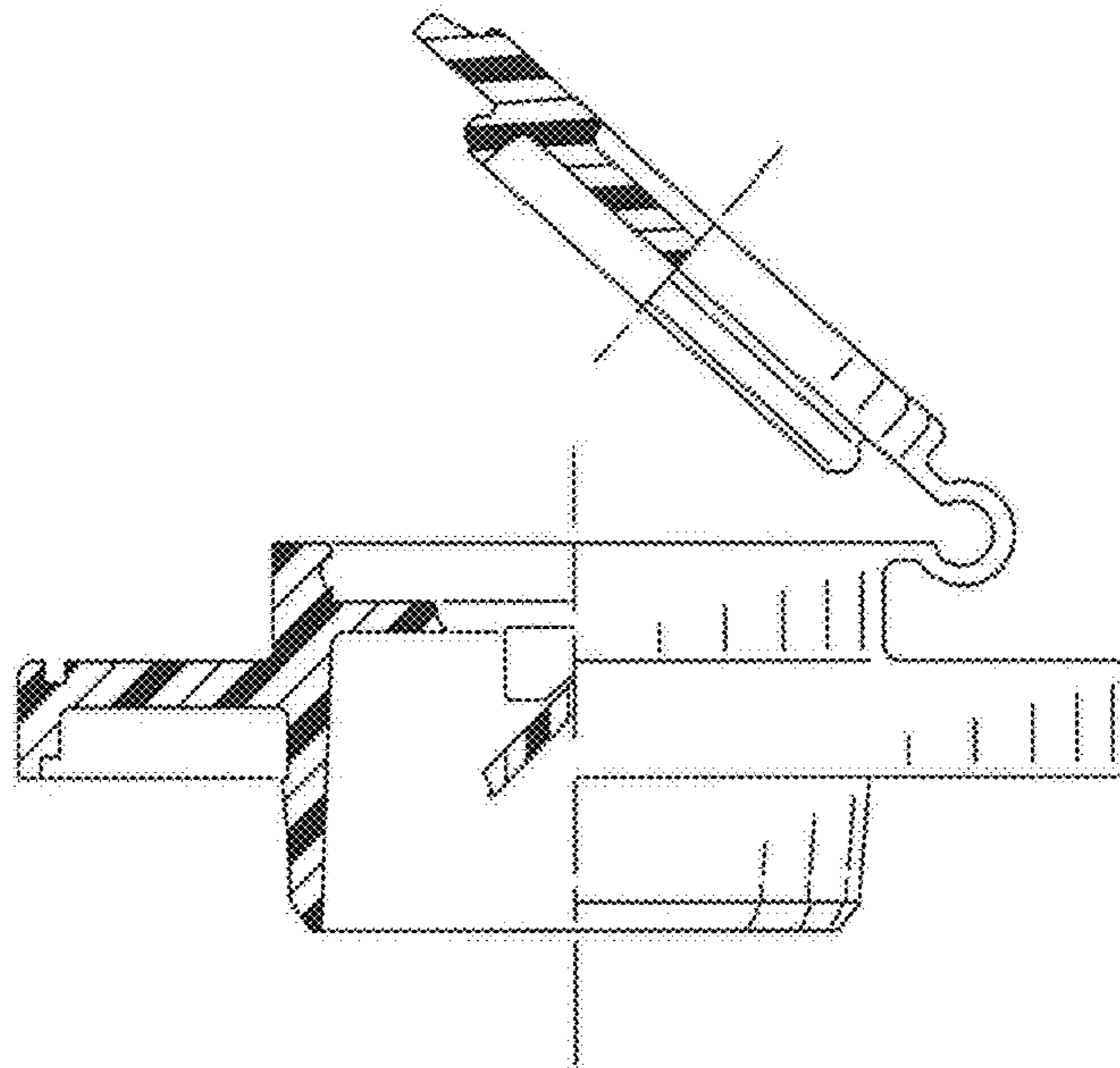


FIGURE 4

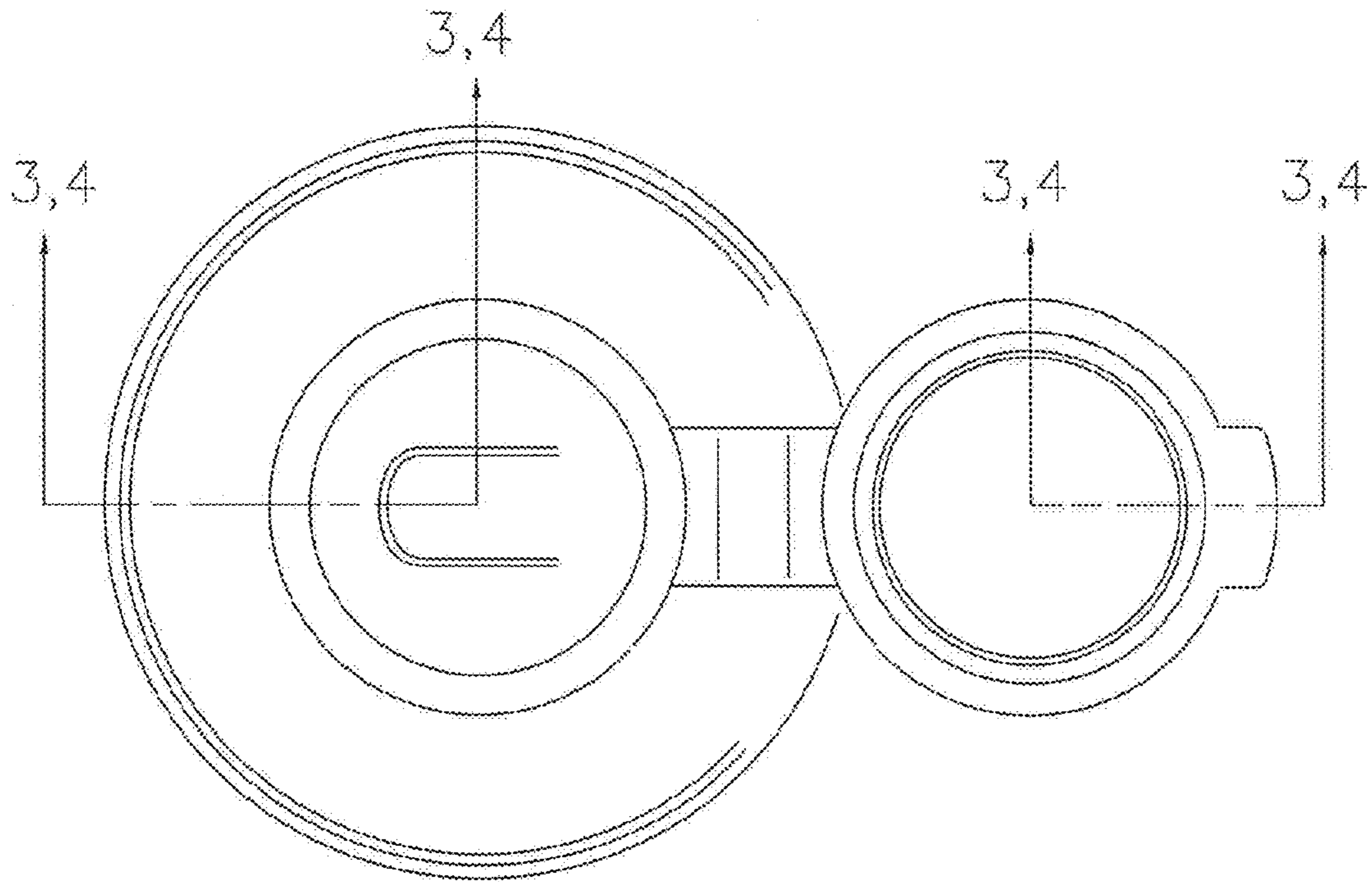


FIGURE 5

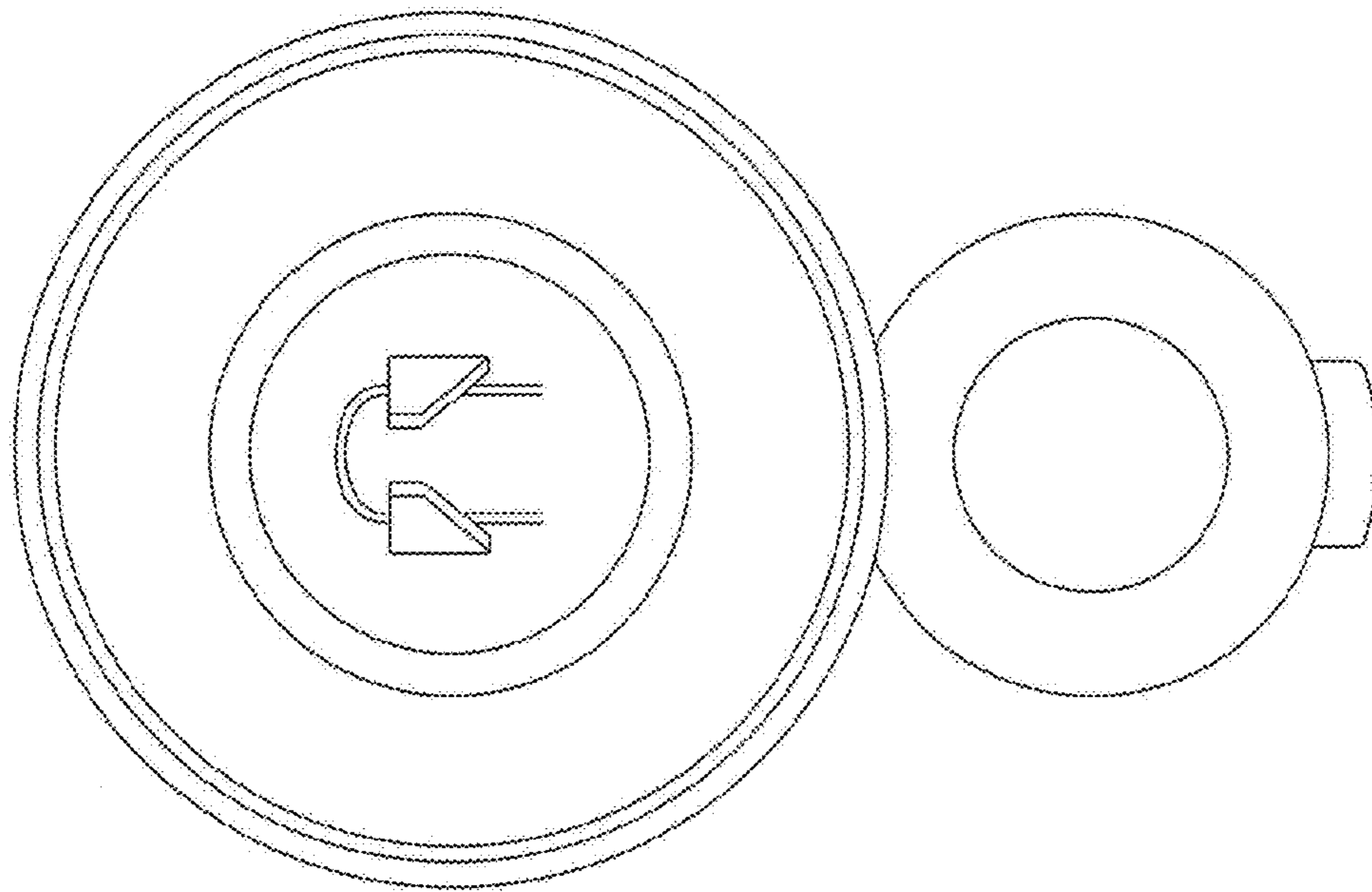


FIGURE 6