



US00D763078S

(12) **United States Design Patent**
Roy

(10) **Patent No.:** **US D763,078 S**
(45) **Date of Patent:** **** Aug. 9, 2016**

- (54) **CAP**
- (71) Applicant: **Reckitt Benckiser (Brands) Limited**,
Slough, Berkshire (GB)
- (72) Inventor: **Sukanta Roy**, Haryana (IN)
- (73) Assignee: **Reckitt Benckiser (Brands) Limited**,
Slough, Berkshire (GB)
- (**) Term: **14 Years**
- (21) Appl. No.: **29/512,825**
- (22) Filed: **Dec. 23, 2014**
- (30) **Foreign Application Priority Data**
Jul. 3, 2014 (EM) 002495135
- (51) **LOC (10) Cl.** **09-07**
- (52) **U.S. Cl.**
USPC **D9/447**; D9/434; D9/435; D9/436;
D9/453
- (58) **Field of Classification Search**
USPC D3/202, 203.1, 203.2, 273, 275, 294,
D3/318; D7/216, 300, 300.1, 317, 387,
D7/391, 392.1, 393, 396.2, 509, 510, 511,
D7/523, 525-531, 538, 541, 549, 629, 703,
D7/900; D8/349, 350, 352; D9/416, 434,
D9/435, 436, 437, 438, 446, 447, 453, 454,
D9/516, 518, 523, 723, 724, 901;
D10/123, 126; D16/134, 136, 218,
D16/235, 241, 250; D19/115, 162, 163,
D19/165, 192, 194; D24/112, 121, 127,
D24/199, 224; D26/36, 123, 124; D28/7,
D28/76, 78, 82, 85, 91; D32/53.1, 54;
D34/1, 7, 10, 11, 39; 604/403, 404,
604/411; 422/103; 239/327; 222/81, 83,
222/109, 153.01, 158, 192, 205, 209, 211,
222/519, 522, 533, 556; 215/6, 10, 12.1,
215/200, 201, 206, 209, 216, 218, 226, 228,
215/235, 236, 247, 305, 306, 307, 311, 379,
215/381-386, 390, 392, 687
CPC B65D 50/041; B65D 23/00; B65D 1/00;
B65D 1/02; B65D 1/0233; B65D 2501/00;
B65D 2501/0009; B65D 83/06; B65D
47/0809; B65D 47/18; A47G 18/22; A47G

18/23; B05B 11/00; B05B 11/045; B05B
11/004
See application file for complete search history.

(56) **References Cited**

U.S. PATENT DOCUMENTS

D162,894 S * 4/1951 Soffer D9/443
D167,725 S * 9/1952 Soffer D9/443

(Continued)

FOREIGN PATENT DOCUMENTS

JP D1531134 * 8/2015
KR 300834150.0000 * 1/2016
KR 300837275.0000 * 2/2016

OTHER PUBLICATIONS

Plastic Lid for Toilet Cleaner Products: Announced Jun. 12, 2015
[online], site visited [Mar. 29, 2016]. Available from Internet
URL:http://jy-plastic-cap.en.made-in-china.com/product/YBkxretyXicX/China-Blue-Plastic-Lid.*

(Continued)

Primary Examiner — Thomas Johannes
Assistant Examiner — Catherine Posthauer
(74) *Attorney, Agent, or Firm* — Norris McLaughlin &
Marcus PA

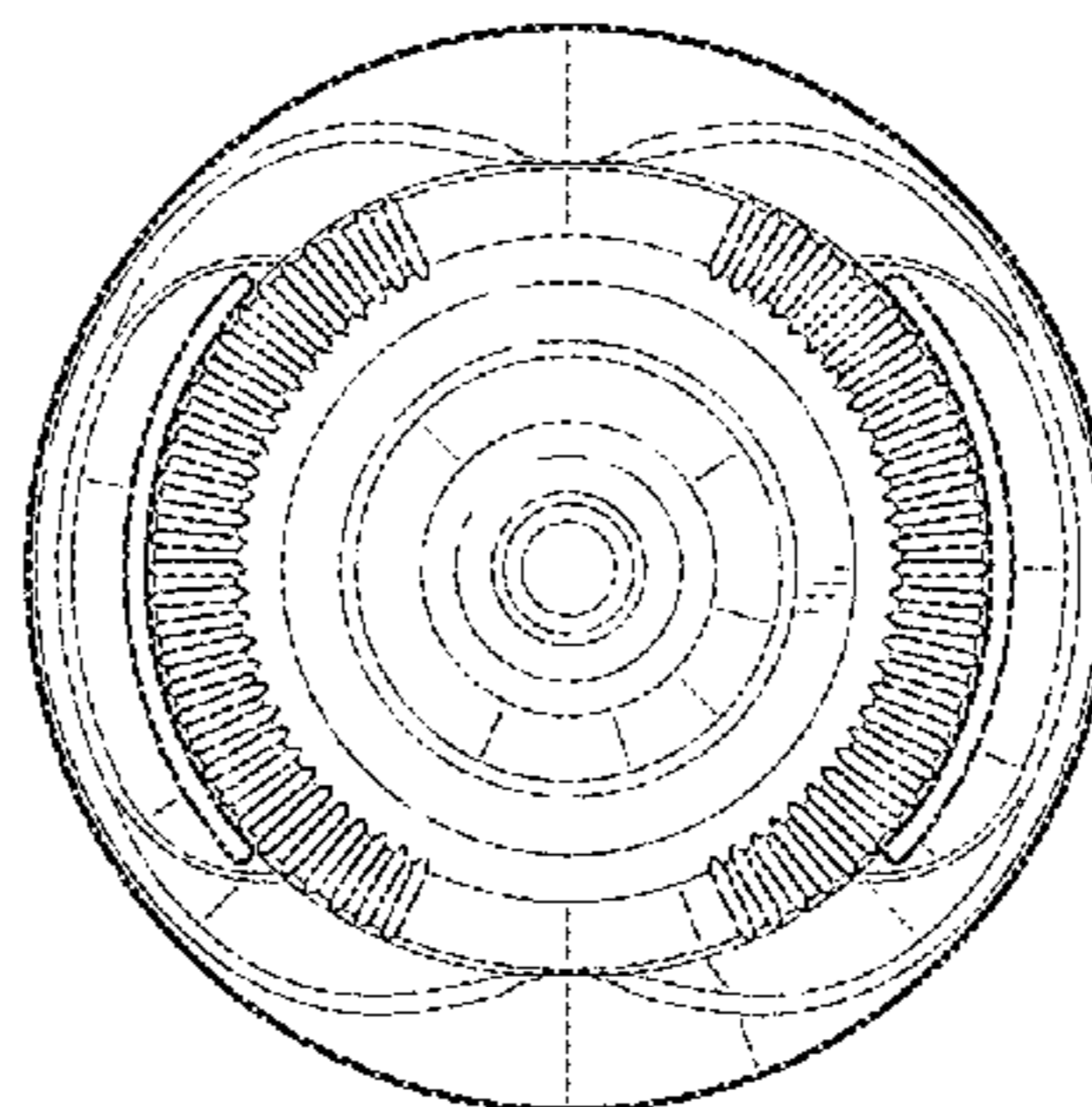
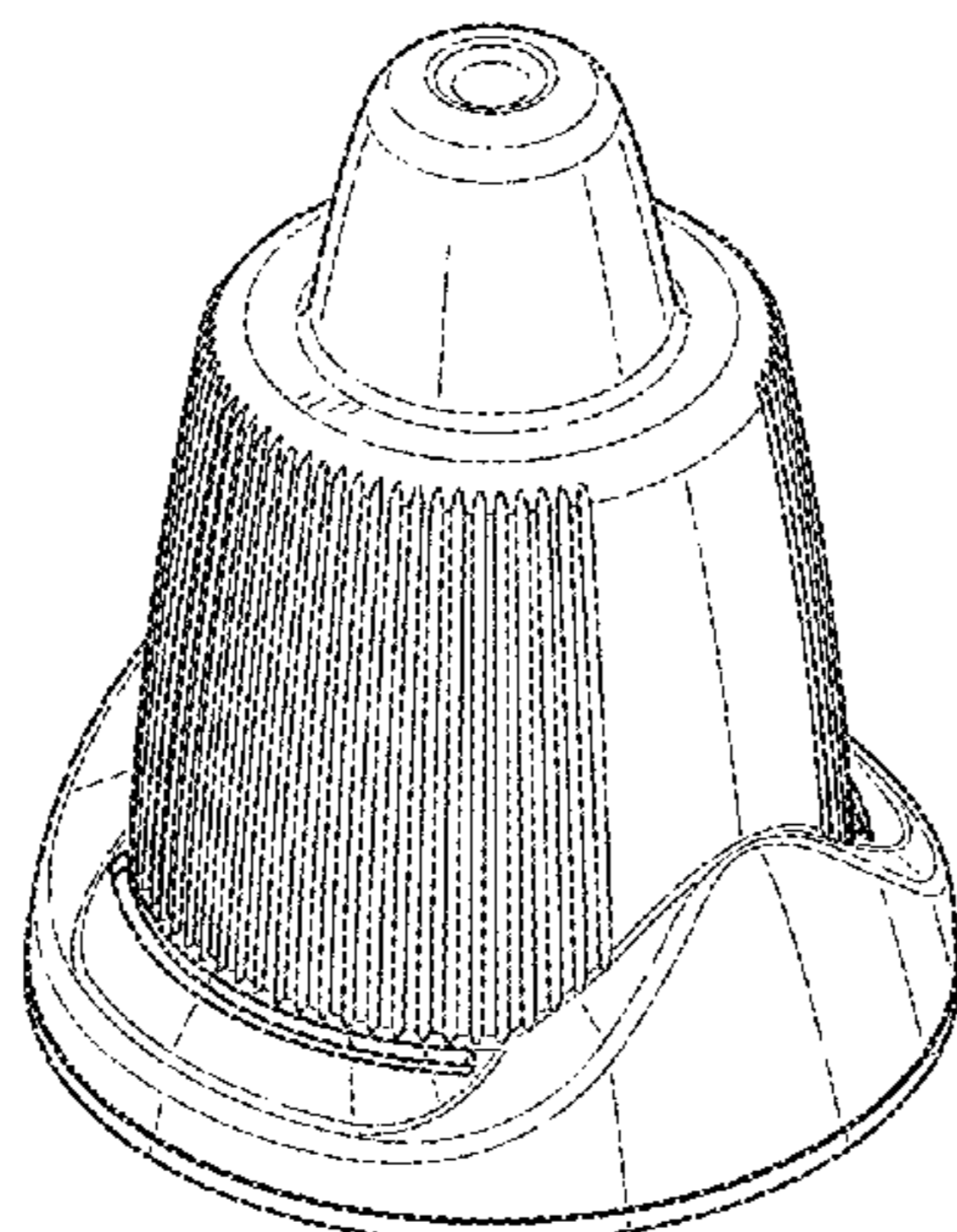
(57) **CLAIM**

The ornamental design for a cap, as shown and described.

DESCRIPTION

FIG. 1 is a front and side perspective view of a cap;
FIG. 2 is a front elevational view thereof;
FIG. 3 is a rear elevational view thereof;
FIG. 4 is a right side elevational view thereof;
FIG. 5 is a left side elevational view thereof;
FIG. 6 is a top plan view thereof; and,
FIG. 7 is a bottom plan view thereof.
The broken lines are shown for the purpose of illustrating
parts of the cap that form no part of the claimed design.

1 Claim, 2 Drawing Sheets



(56)

References Cited

U.S. PATENT DOCUMENTS

D171,432 S * 2/1954 Bernard D9/447
 2,924,393 A * 2/1960 Robert B05B 11/00
 222/553
 3,286,934 A * 11/1966 Schneller B05B 11/045
 222/212
 D247,773 S * 4/1978 Topham D9/447
 4,420,100 A * 12/1983 Mueller B05B 11/004
 215/11.3
 D275,454 S * 9/1984 Mitchell D9/447
 D278,311 S * 4/1985 Brown D9/436
 4,869,384 A * 9/1989 Ogle, II A61J 1/1406
 215/247
 D327,430 S * 6/1992 Farricielli D9/443
 D335,449 S * 5/1993 Appla D9/447
 D358,329 S * 5/1995 Dickie D9/443
 5,462,200 A * 10/1995 Weiler B65D 51/222
 222/420
 6,000,578 A * 12/1999 Boissay B65D 47/18
 222/153.06

D519,835 S * 5/2006 Dubs D9/438
 7,306,121 B2 * 12/2007 Ophardt B65D 47/123
 222/209
 D634,630 S * 3/2011 Taylor D9/447
 D634,631 S * 3/2011 Taylor D9/447
 7,959,034 B2 * 6/2011 Faaborg B65D 41/0471
 222/109
 D641,626 S * 7/2011 Kaplan D9/447
 8,695,850 B2 * 4/2014 Bowman A61F 9/0008
 222/420
 D733,554 S * 7/2015 Rubinstein D9/416
 2005/0045669 A1 * 3/2005 Thunberg B65D 47/0809
 222/556
 2011/0139826 A1 * 6/2011 Hair B65D 1/32
 222/211

OTHER PUBLICATIONS

Harpic Power Plus Toilet Cleaner: Announced Sep. 5, 2008 [online],
 site visited [Mar. 29, 2016]. Available from Internet URL:<http://www.reviewcentre.com/reviews173744.html>.*

* cited by examiner

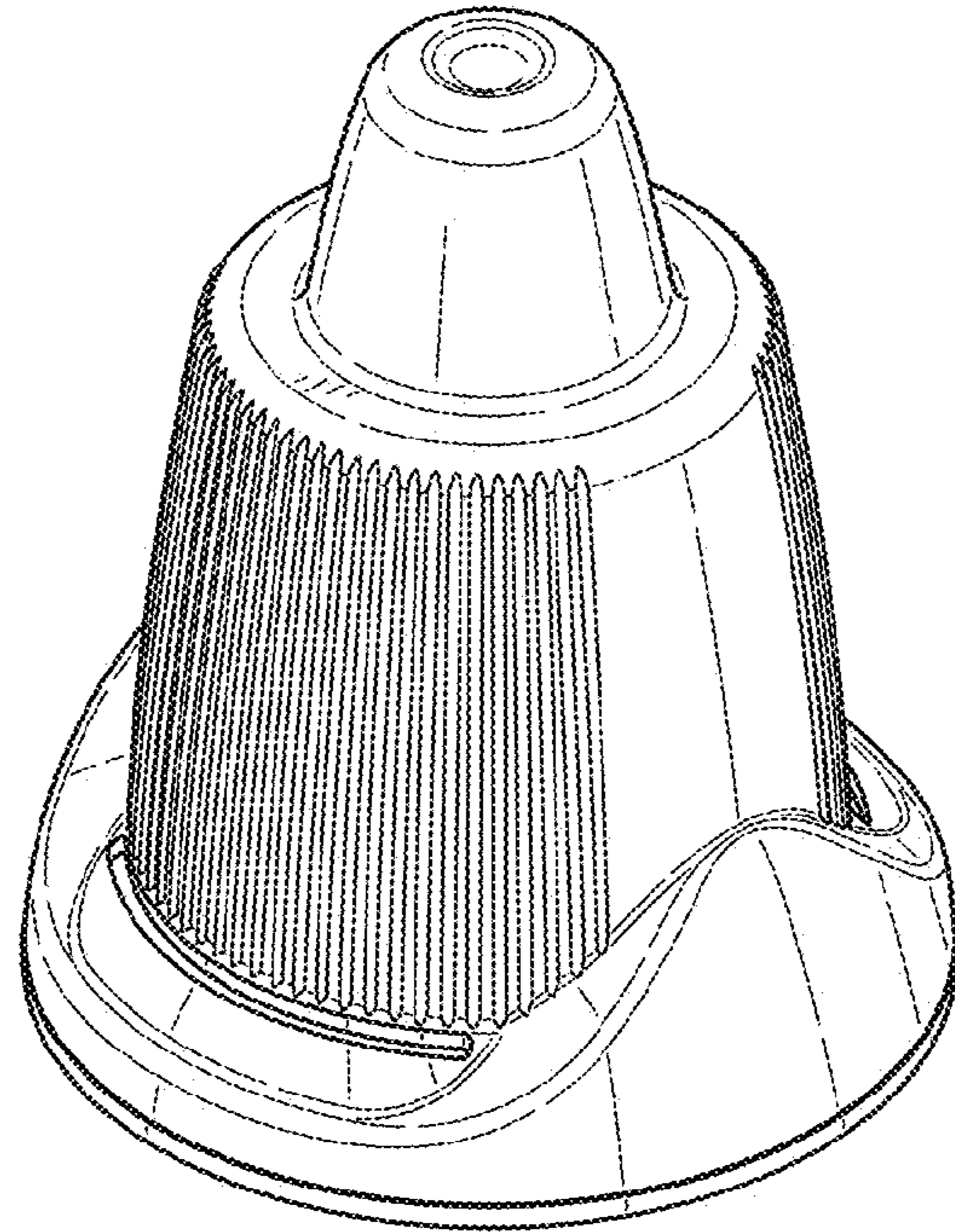


Fig. 1

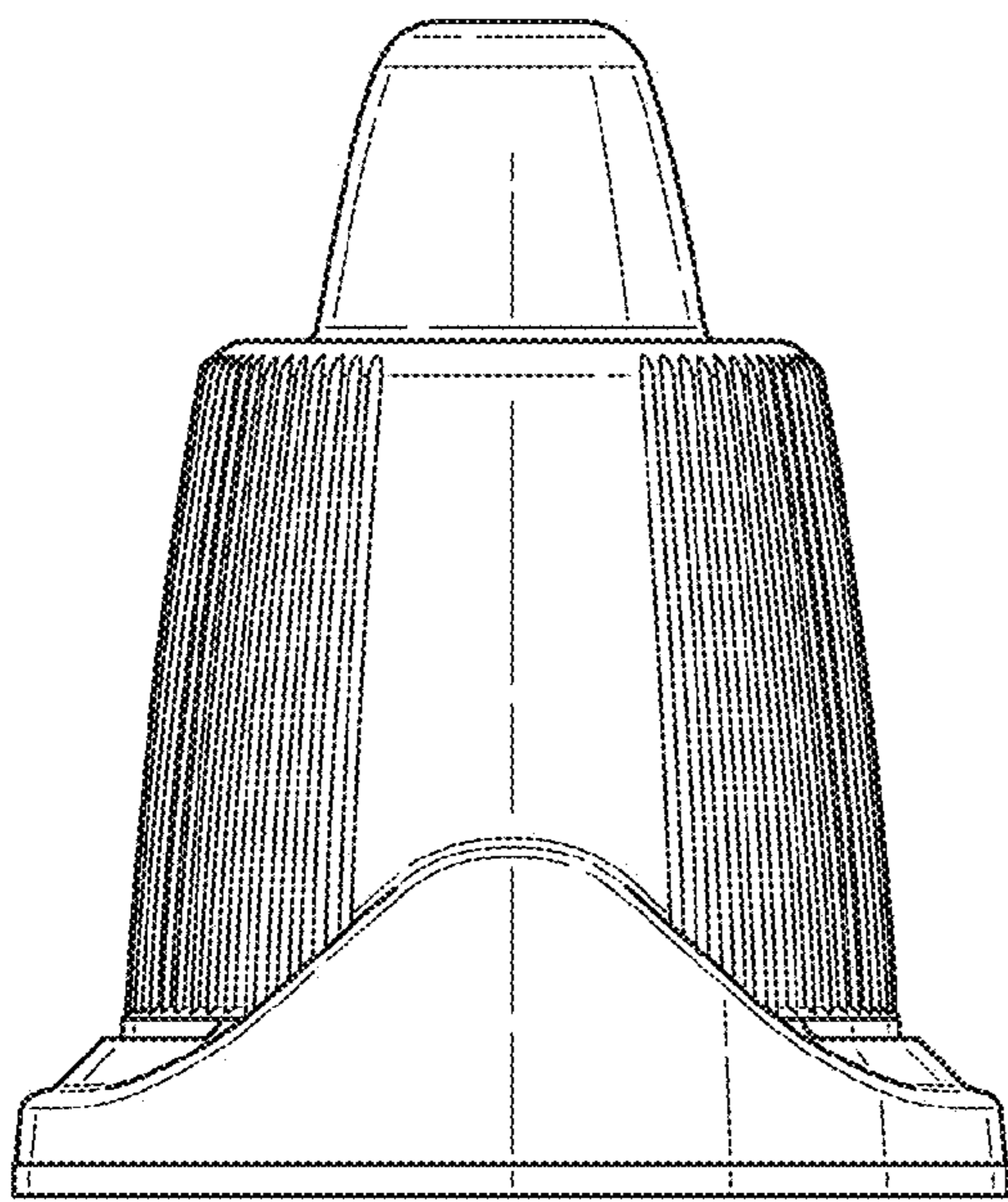


Fig. 2

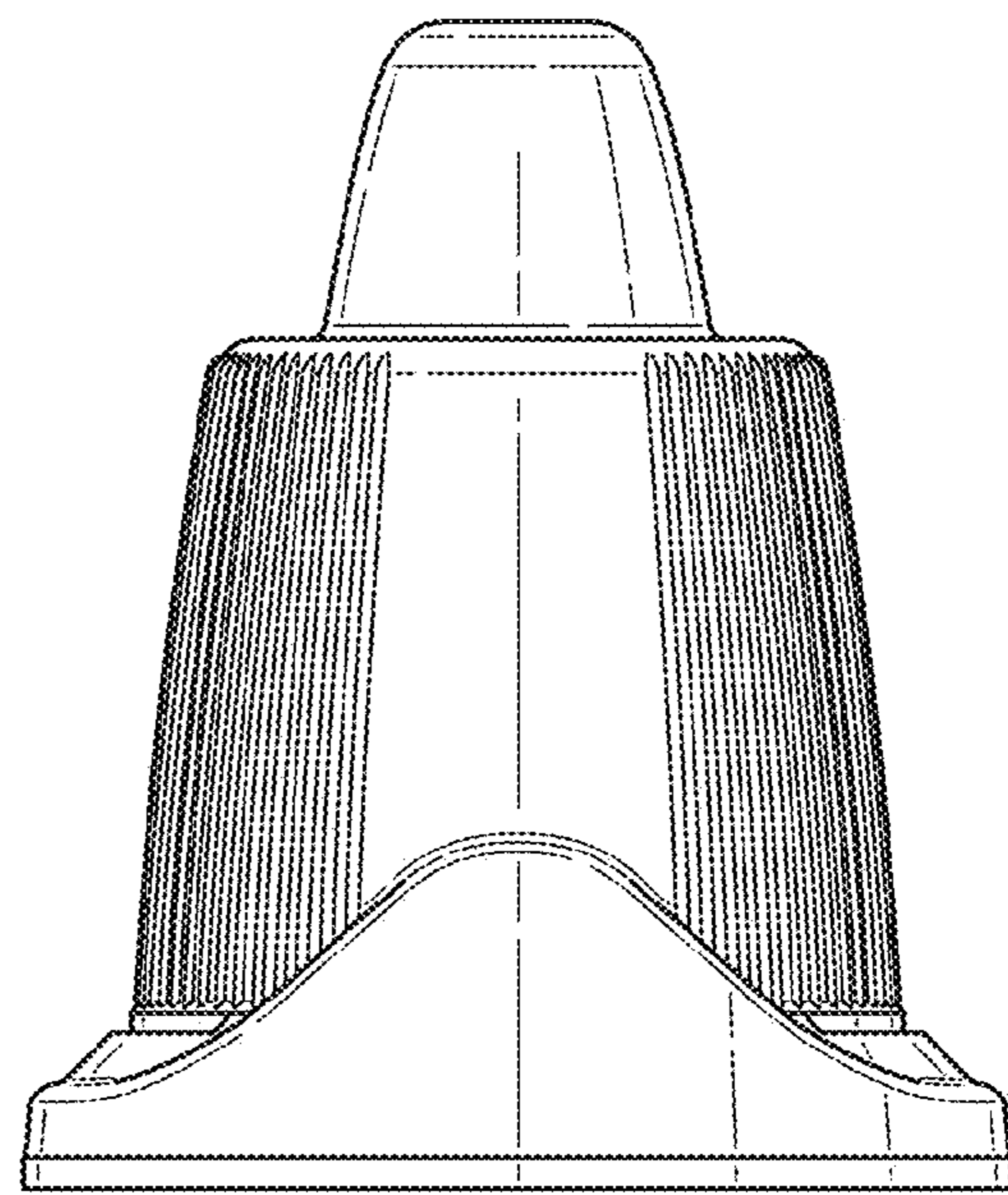


Fig. 3

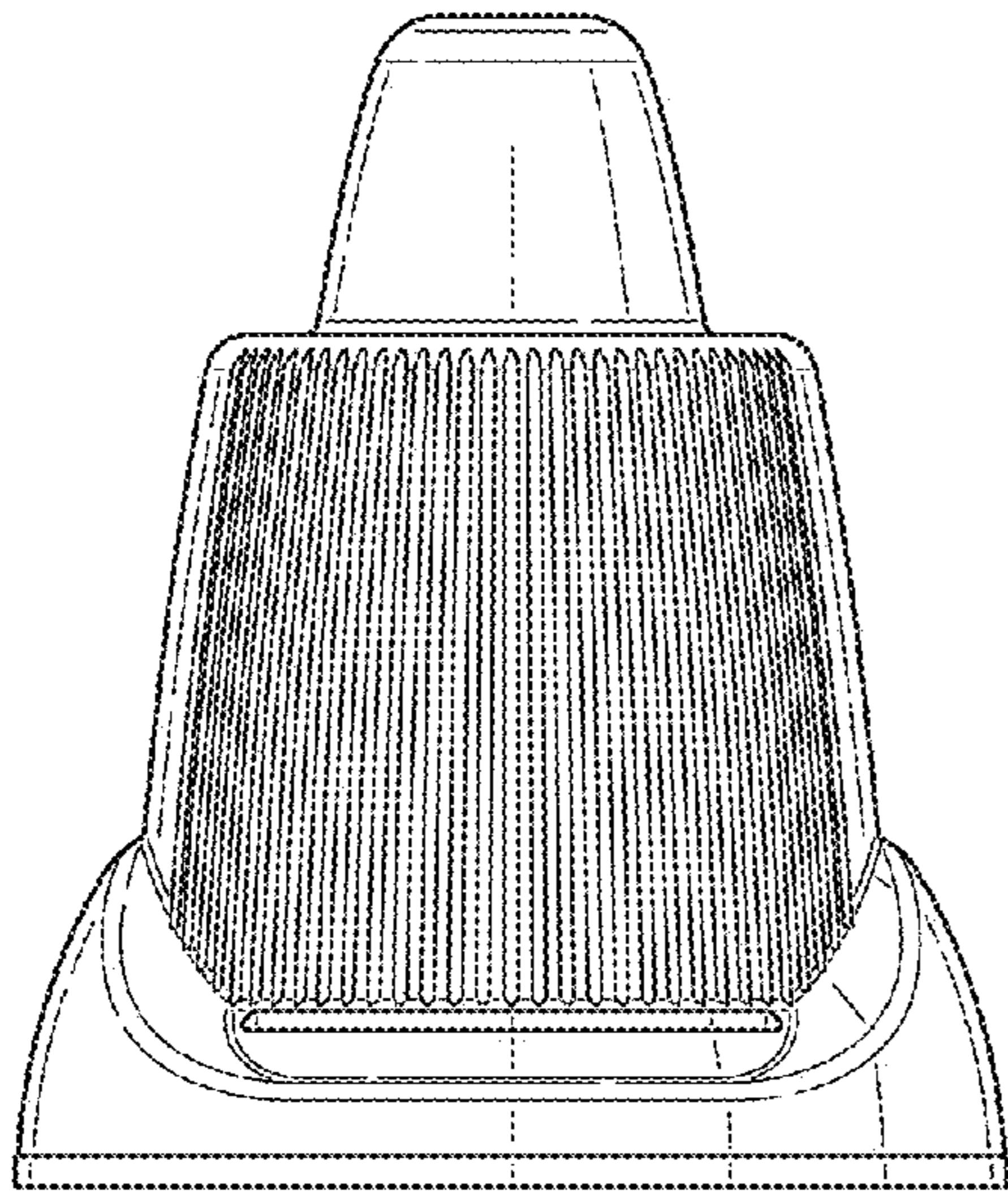


Fig. 4

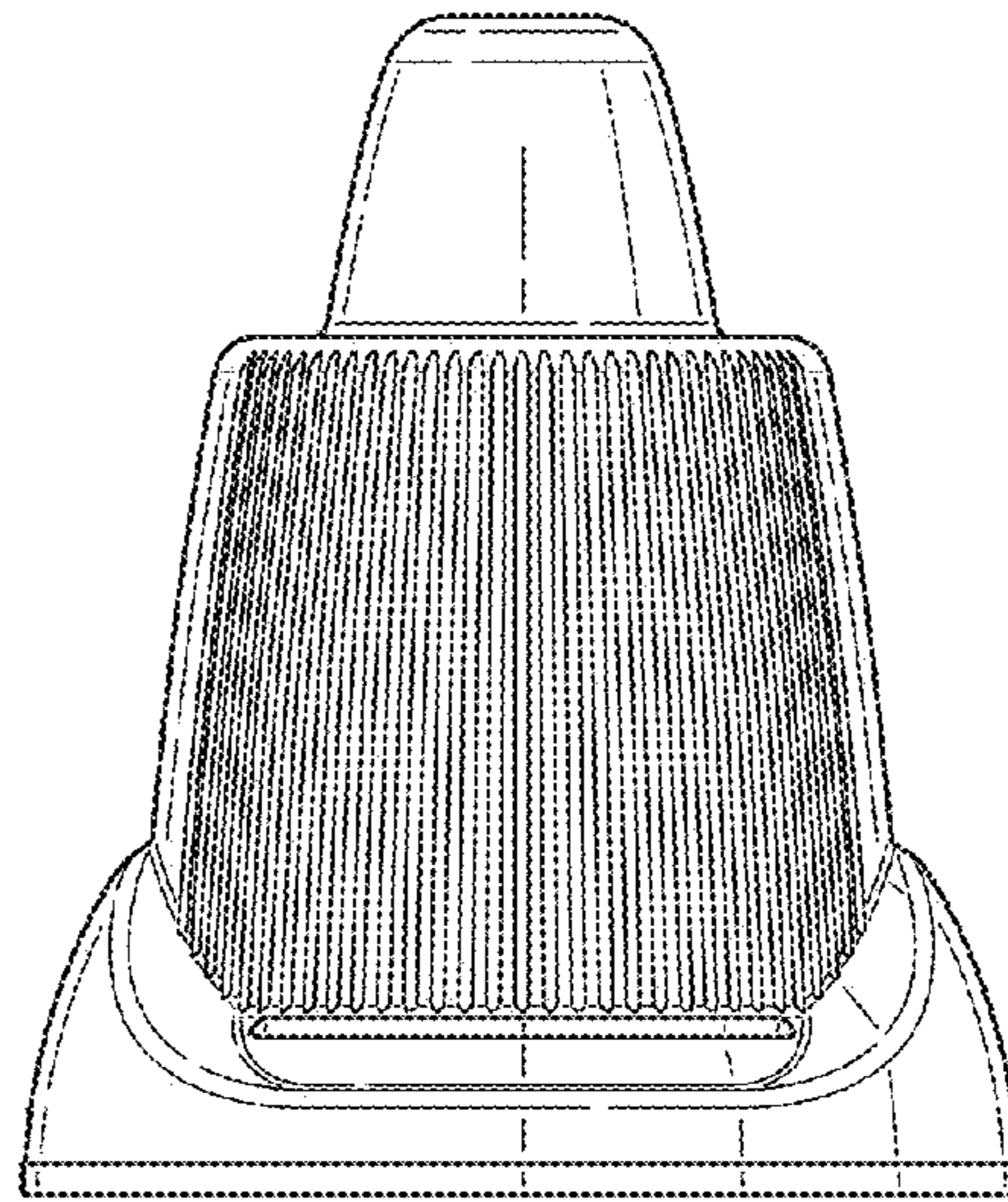


Fig. 5

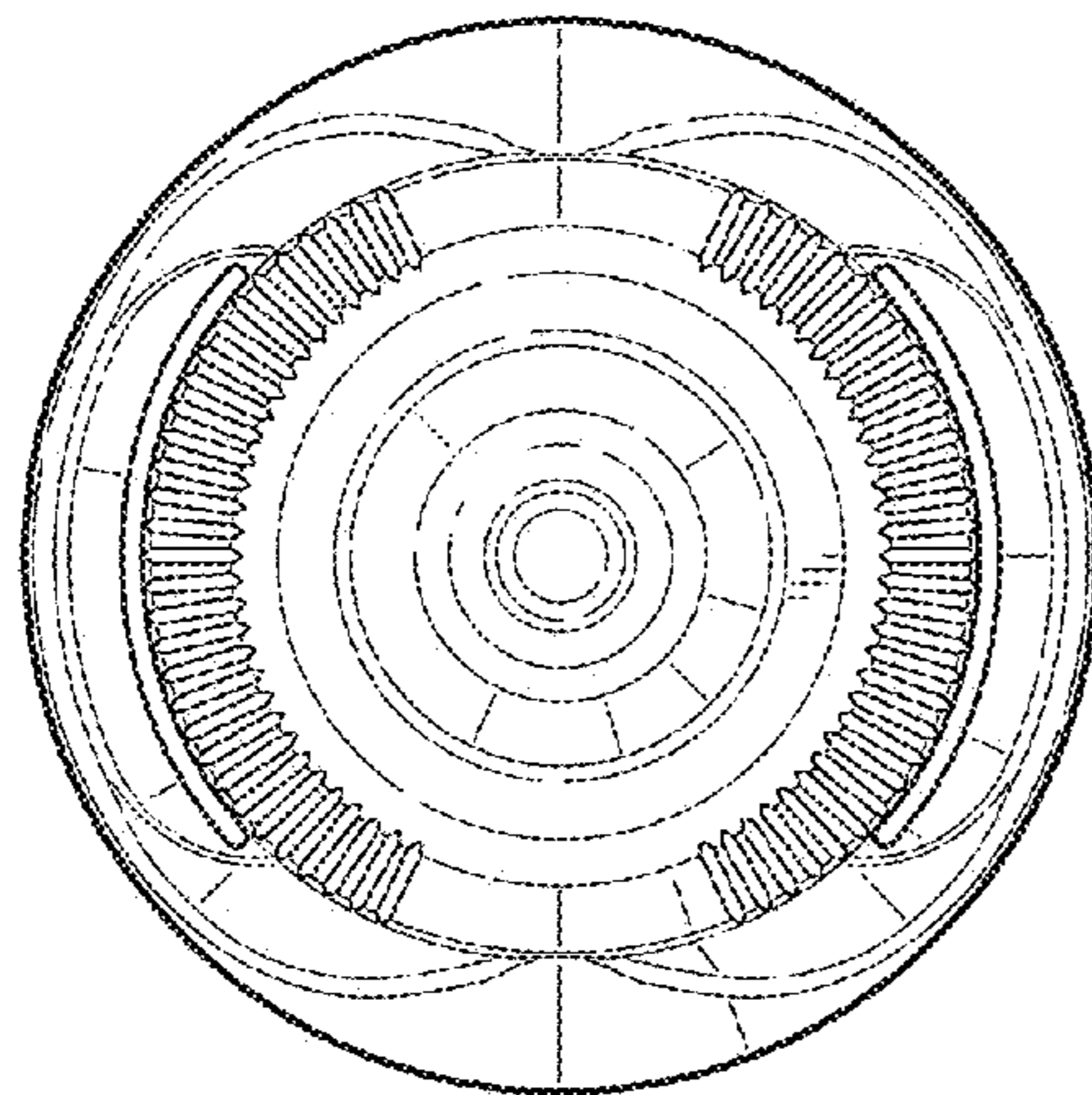


Fig. 6

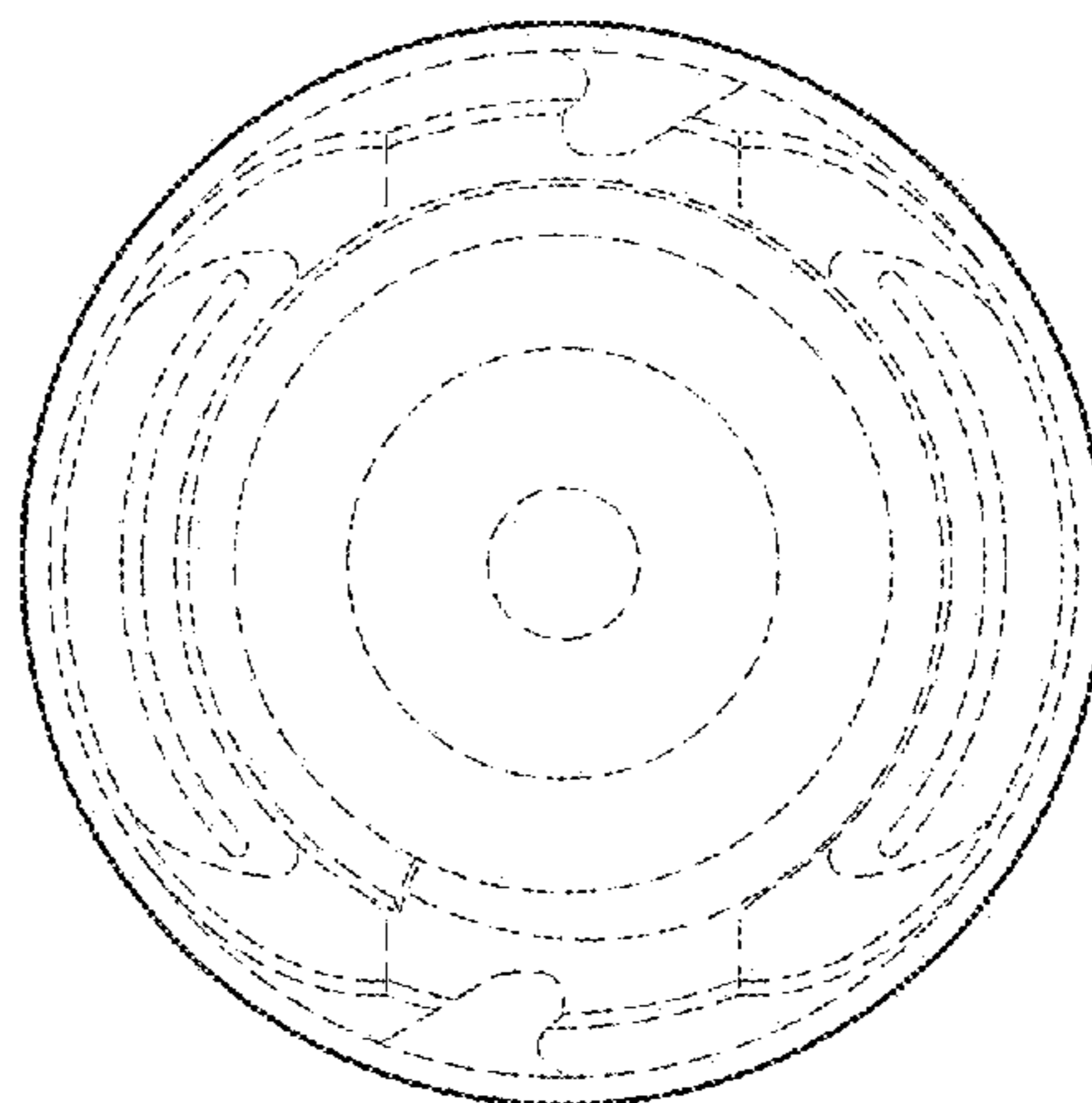


Fig. 7