



US00D763076S

(12) **United States Design Patent**
Lane et al.

(10) **Patent No.:** **US D763,076 S**

(45) **Date of Patent:** **** Aug. 9, 2016**

(54) **LID**

(71) Applicant: **THERMOS L.L.C.**, Schaumburg, IL
(US)

(72) Inventors: **Marvin Lane**, Wheeling, IL (US);
Dwayne Boroski, Lake in the Hills, IL
(US)

(73) Assignee: **THERMOS L.L.C.**, Schaumburg, IL
(US)

(**) Term: **14 Years**

(21) Appl. No.: **29/486,746**

(22) Filed: **Apr. 2, 2014**

(51) **LOC (10) Cl.** **09-06**

(52) **U.S. Cl.**
USPC **D9/446**

(58) **Field of Classification Search**
USPC D9/434, 435, 437, 440, 446, 447, 449,
D9/734; D7/392, 392.1, 396.2
CPC B65D 83/0805; B65D 47/0804
See application file for complete search history.

(56) **References Cited**

U.S. PATENT DOCUMENTS

D321,624 S	*	11/1991	Fiore	D7/317
D412,640 S	*	8/1999	Much	D7/392
D417,590 S	*	12/1999	Kato	D7/510
D425,362 S	*	5/2000	Meyers	D7/392
D528,910 S	*	9/2006	Kingsley	D7/392.1
D572,078 S	*	7/2008	Bhavnani	D7/392.1
D605,942 S	*	12/2009	Miksovsky	D9/446

D632,521 S	*	2/2011	Wahl	D7/392.1
D638,658 S	*	5/2011	Staton	D7/392
D650,629 S	*	12/2011	Gilbert	D7/392.1
D714,584 S	*	10/2014	Boroski	D7/392
D726,018 S	*	4/2015	Archer	D9/446
D747,137 S	*	1/2016	Hakim	D7/396.2

OTHER PUBLICATIONS

Thermos Intak 770ml Insulated Stainless Steel Water Bottle, shopnaturally.com, earliest date Oct. 16, 2014, 3 pages. Found online Mar. 15, 2016 at <http://www.shopnaturally.com.au/thermos-intak-770ml-vacuum-insulated-hydration-water-bottle-double-wall-stainless-steel-bpa-free-silver.html>.*

* cited by examiner

Primary Examiner — Robert M Spear

(74) *Attorney, Agent, or Firm* — Polsinelli PC

(57) **CLAIM**

The ornamental design for a lid, as shown and described.

DESCRIPTION

FIG. 1 is a perspective view of the lid;

FIG. 2 is a right side view of the lid;

FIG. 3 is a front view of the lid;

FIG. 4 is a left side view of the lid;

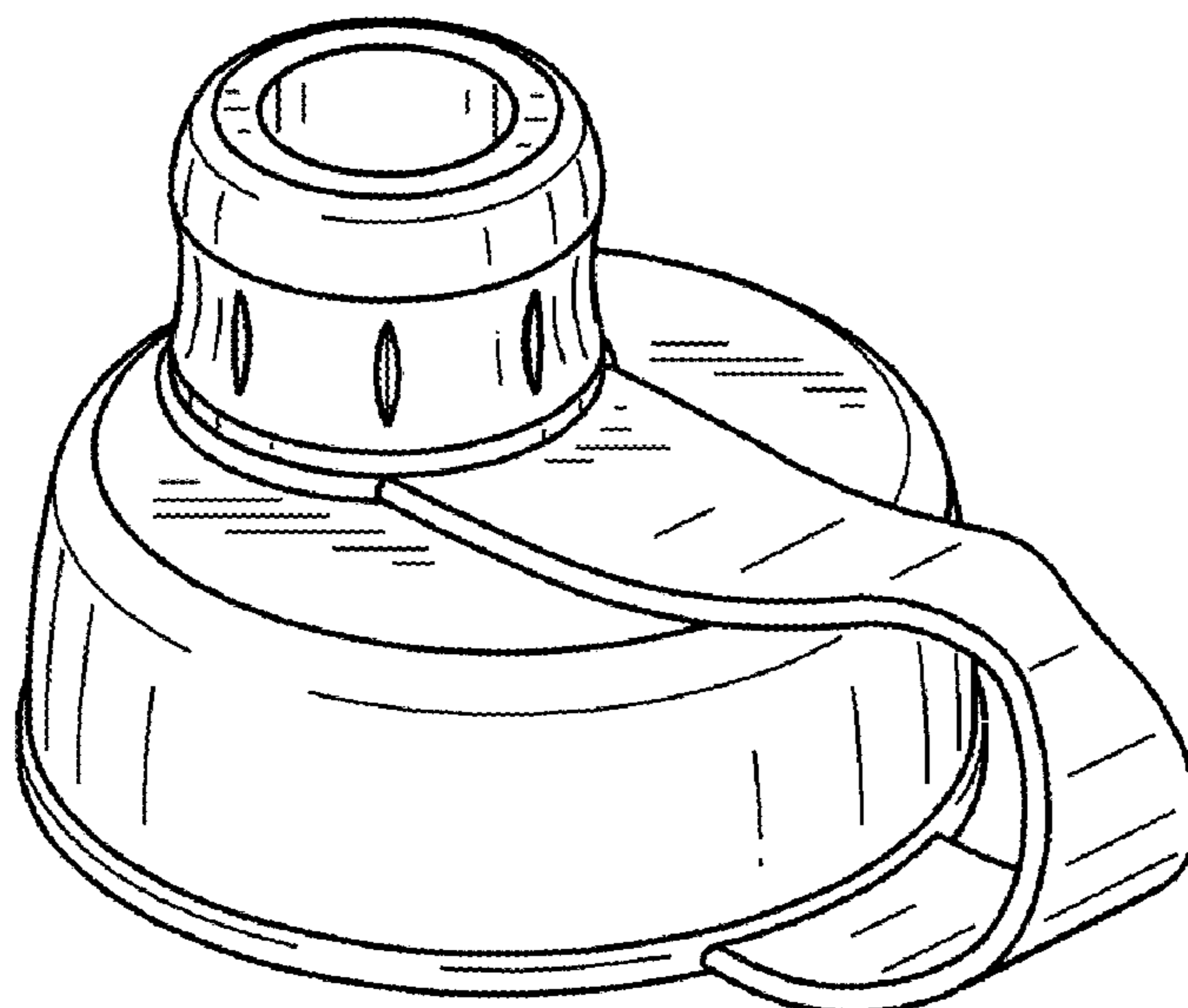
FIG. 5 is a rear view of the lid;

FIG. 6 is a top view of the lid; and,

FIG. 7 is a bottom view of the lid.

The broken lines showing in the figures are included for the purpose of illustrating portions of the lid that form no part of the claimed design.

1 Claim, 4 Drawing Sheets



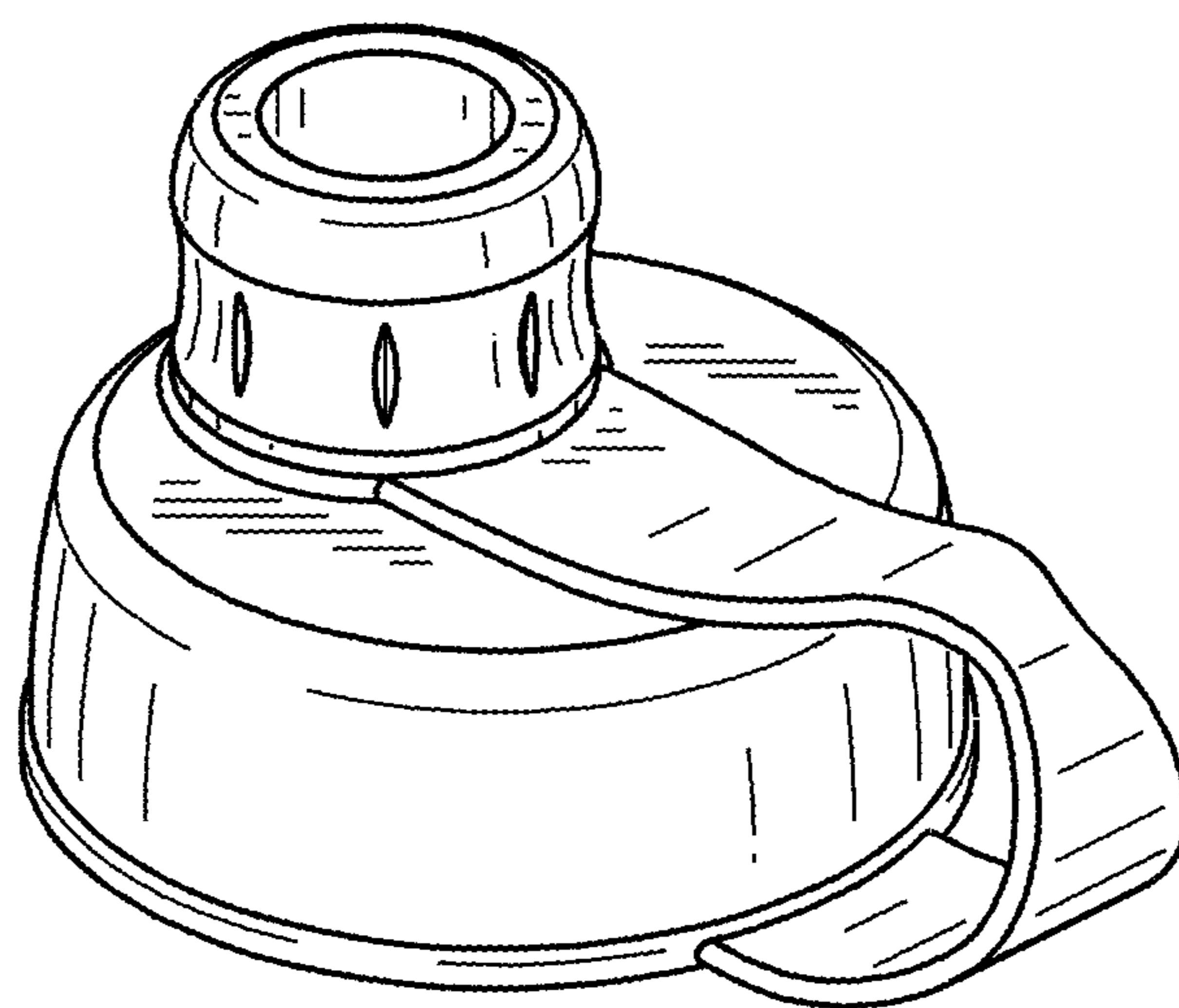


FIG. 1

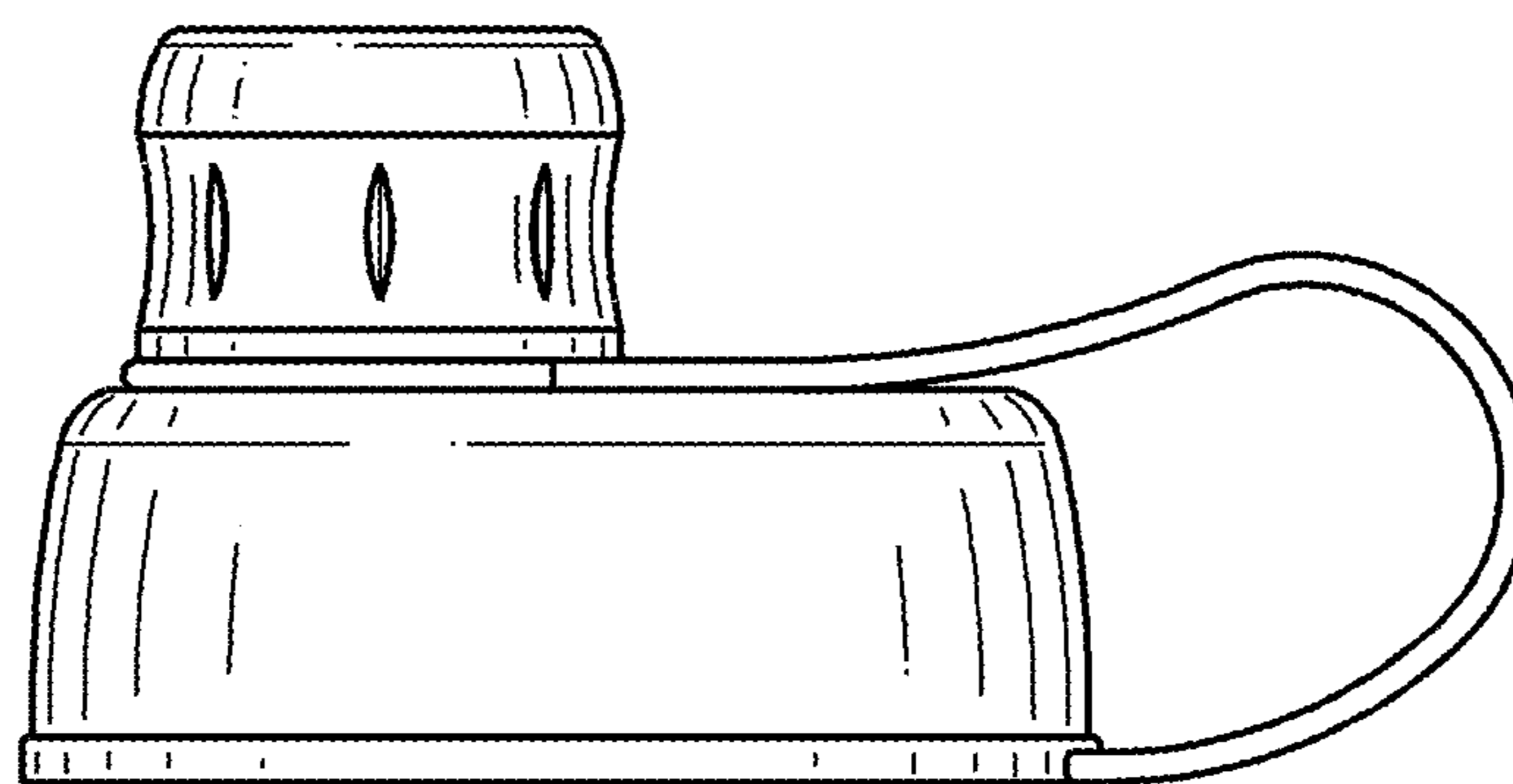


FIG. 2

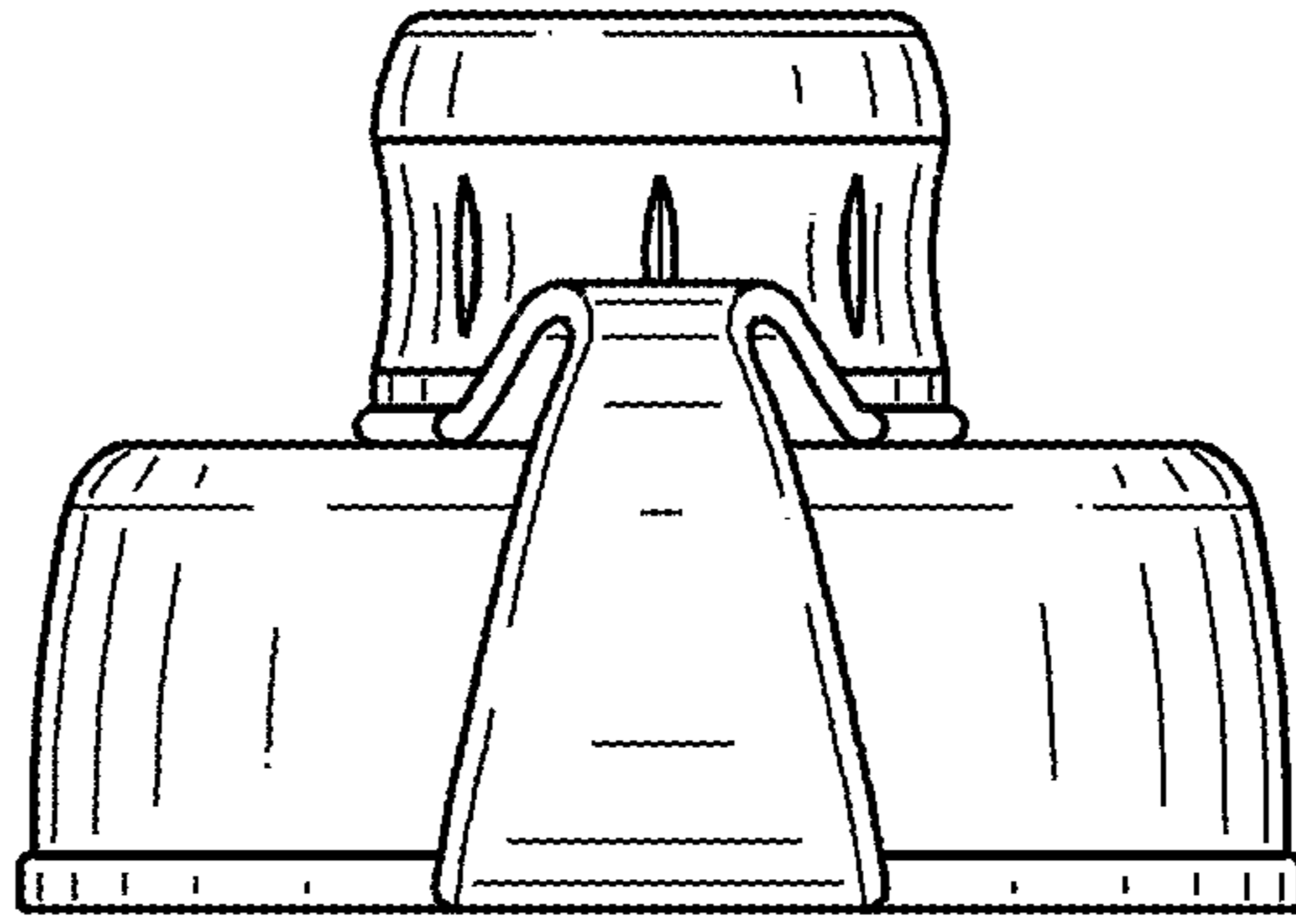


FIG. 3

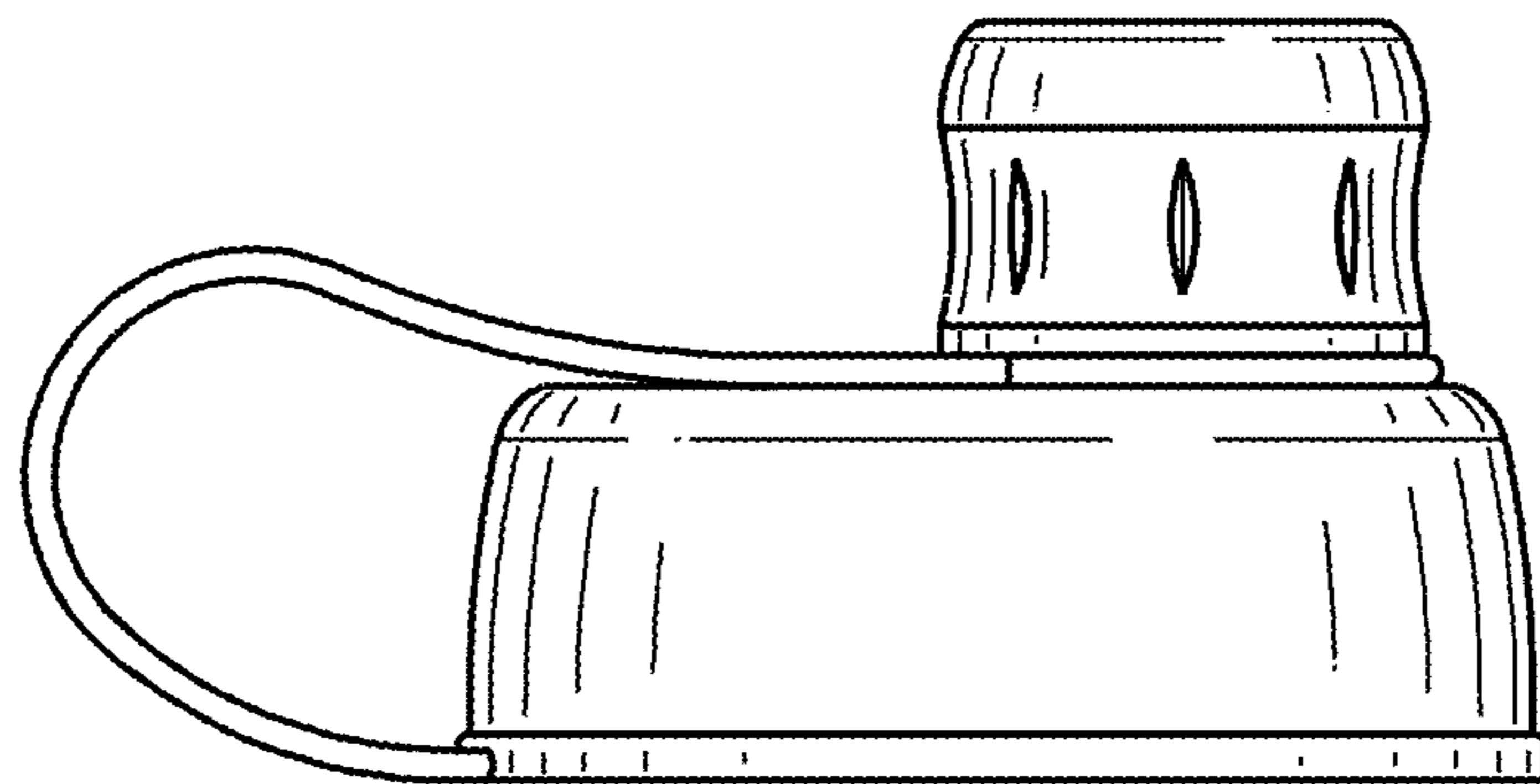


FIG. 4

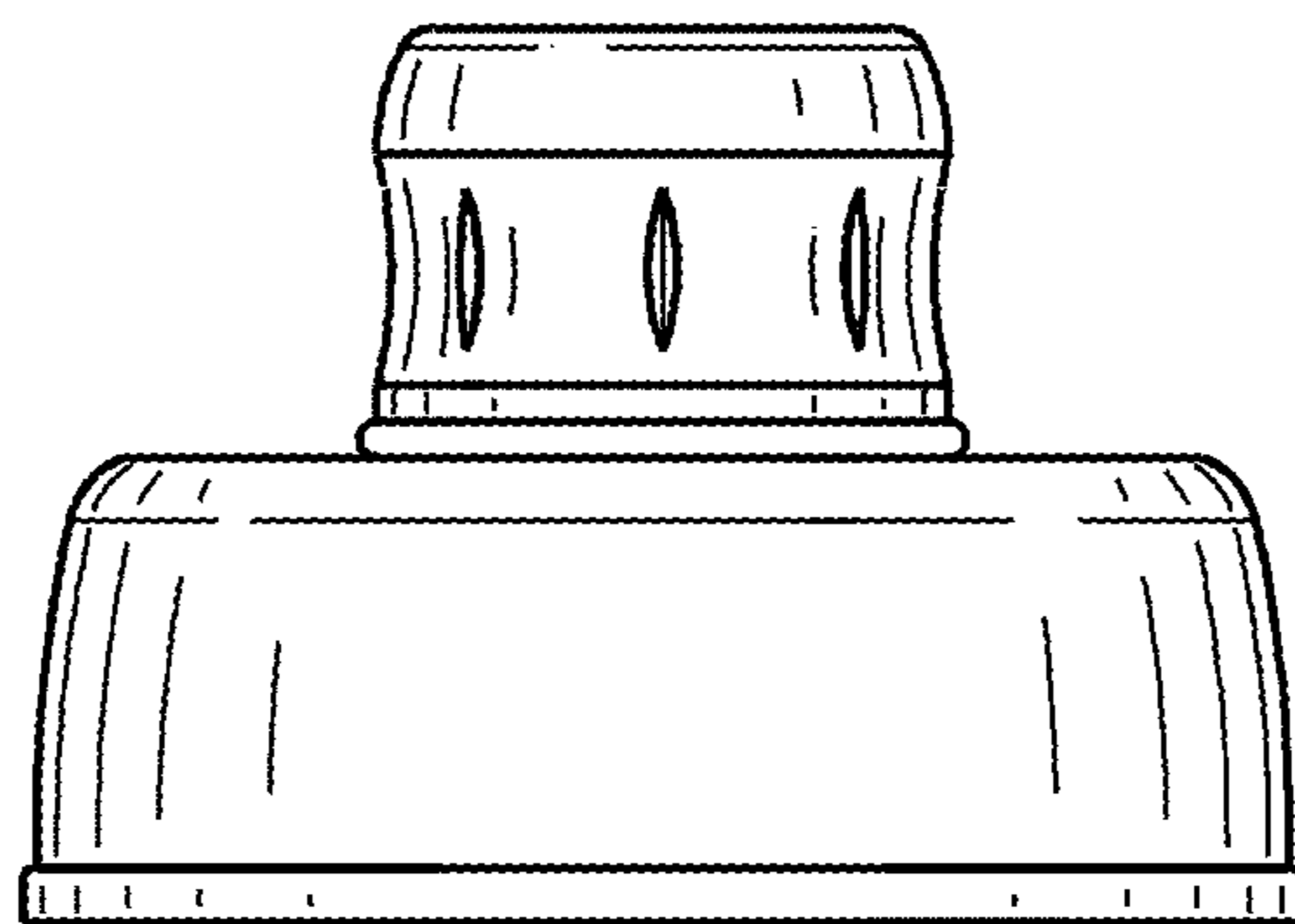


FIG. 5

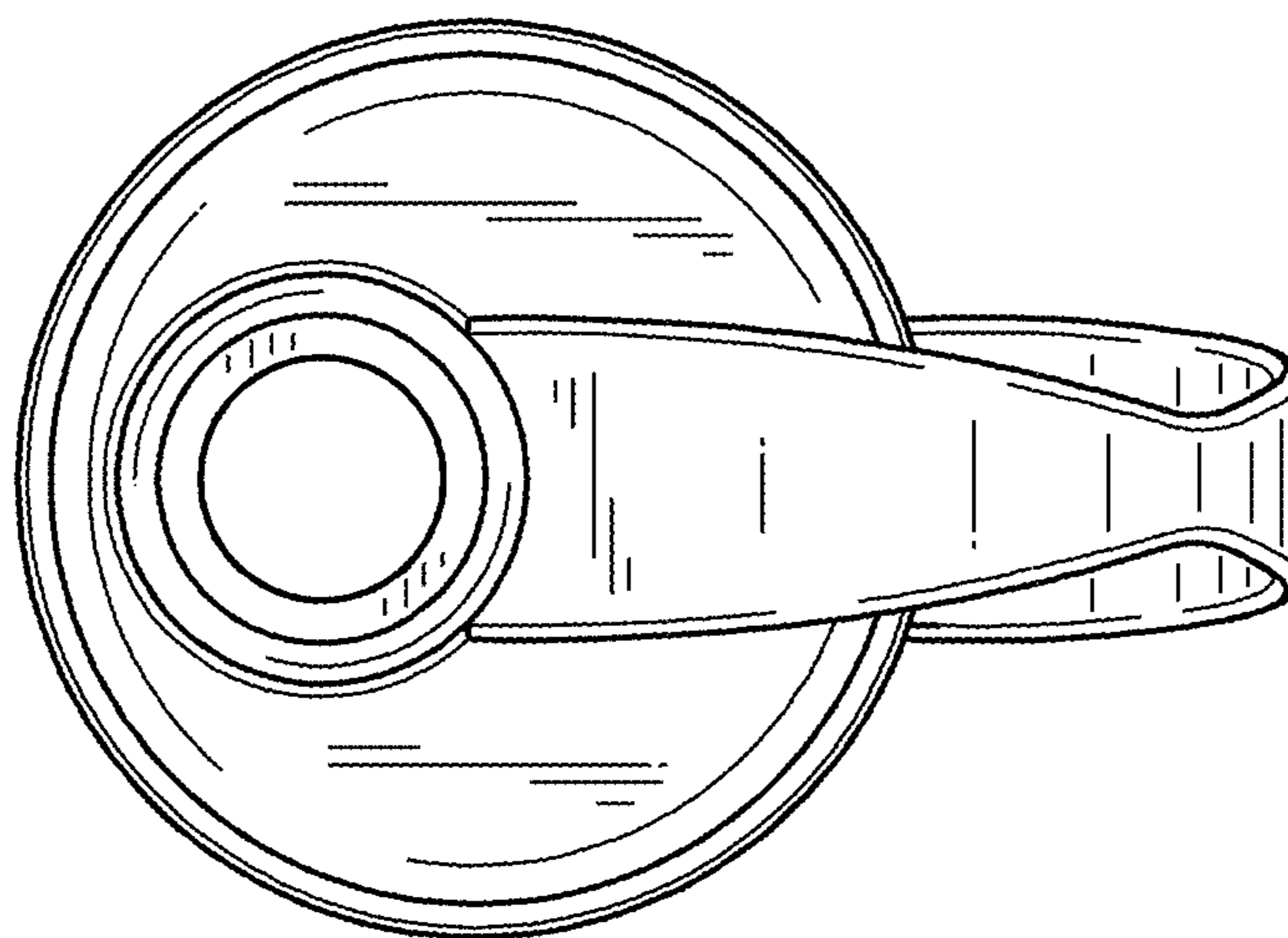


FIG. 6

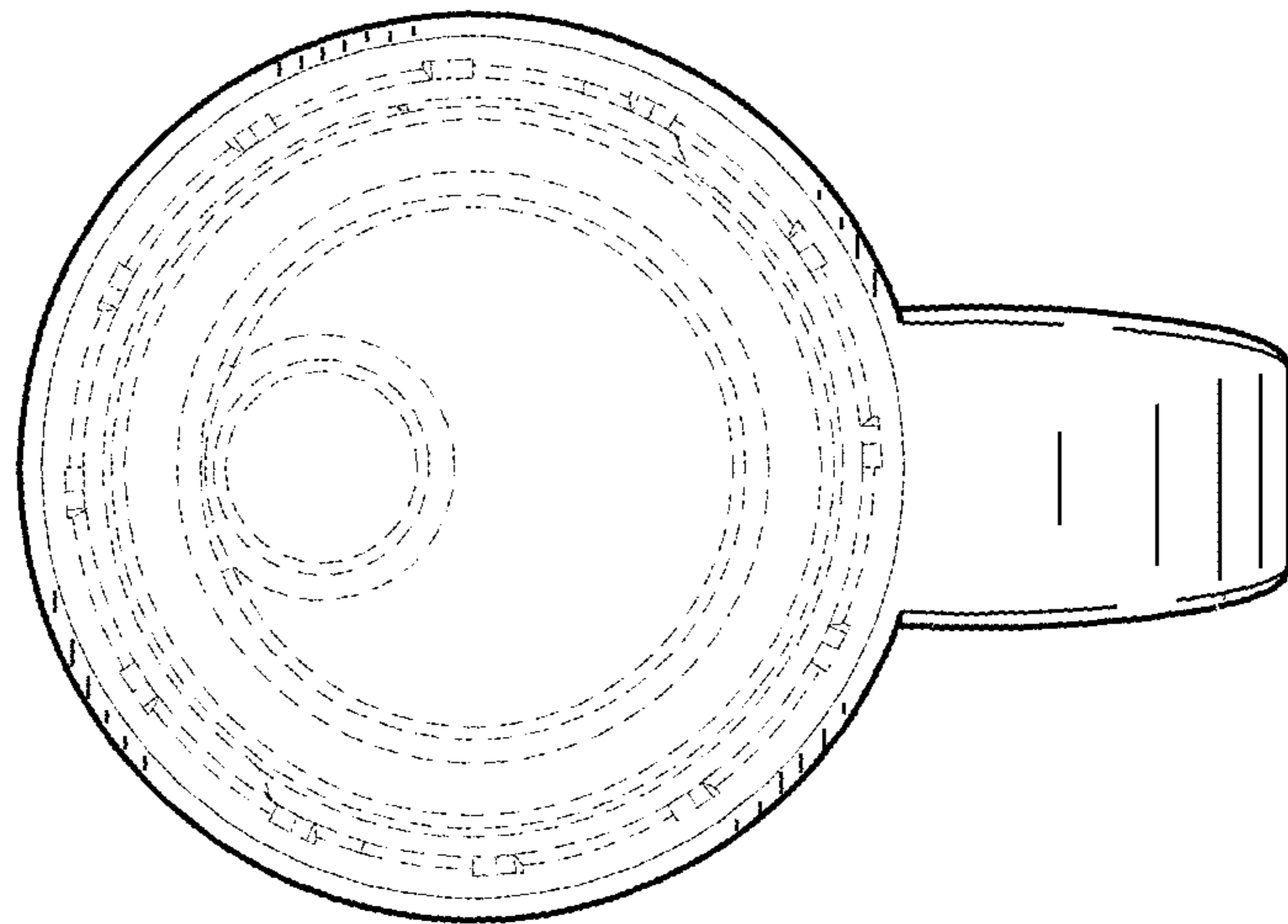


FIG. 7