



US00D763073S

(12) **United States Design Patent**
Romero Salido

(10) **Patent No.:** **US D763,073 S**

(45) **Date of Patent:** **** Aug. 9, 2016**

(54) **MEASURING CAP WITH FLOWER DESIGN THEREON**

(71) Applicant: **QUIMICA GONCAL S.A. DE C.V.**,
Monterrey (Nuevo Leon) (MX)

(72) Inventor: **Francisco Romero Salido**, Monterrey
(MX)

(73) Assignee: **QUIMICA GONCAL S.A. DE C.V.**,
Monterrey (Nuevo Leon) (MX)

(**) Term: **14 Years**

(21) Appl. No.: **29/499,243**

(22) Filed: **Aug. 13, 2014**

(51) **LOC (10) Cl.** **09-07**

(52) **U.S. Cl.**
USPC **D9/436; D9/451**

(58) **Field of Classification Search**
USPC D7/300, 300.1, 300.2, 303, 313, 317,
D7/602, 387, 509, 510, 511, 538; D9/434,
D9/435, 436, 439, 440, 441, 442, 443, 444,
D9/445, 446, 447, 448, 449, 450, 451, 452,
D9/453, 454, 499
CPC B65D 41/26; B65D 41/32; B65D 59/06;
B65D 47/0814; B65D 47/2031; B65D 51/249;
B65D 2251/1066; B65D 41/02; B65D 23/00;
B65D 39/08; B67D 3/0032; A47G 19/26;
A47G 19/2266

See application file for complete search history.

(56) **References Cited**

U.S. PATENT DOCUMENTS

3,653,529 A * 4/1972 Segmuller B65D 41/485
215/256
D223,812 S * 6/1972 Long D9/453

D242,132 S * 11/1976 Hasegawa D9/447
D284,555 S * 7/1986 Schornagel D9/453
D347,791 S * 6/1994 Lathrop D9/453
5,975,369 A * 11/1999 Yurkewicz B65D 41/32
215/251
D443,513 S * 6/2001 Goettner D9/452
D465,730 S * 11/2002 Druitt D9/452
D475,924 S * 6/2003 Haffner D9/435
D508,202 S * 8/2005 Dobson D9/447
D538,161 S * 3/2007 Smith D9/435
D613,162 S * 4/2010 Druitt D9/453
D616,705 S * 6/2010 DuBois D7/510
D630,944 S * 1/2011 Kawamura D9/447

(Continued)

Primary Examiner — Robert M Spear

Assistant Examiner — Marissa J Cash

(74) *Attorney, Agent, or Firm* — Lucas & Mercanti, LLP

(57) **CLAIM**

The ornamental design for a measuring cap with flower design thereon, as shown and described.

DESCRIPTION

FIG. 1 is a top perspective view of the measuring cap with flower design thereon;

FIG. 2 is a bottom perspective view of the measuring cap with flower design thereon;

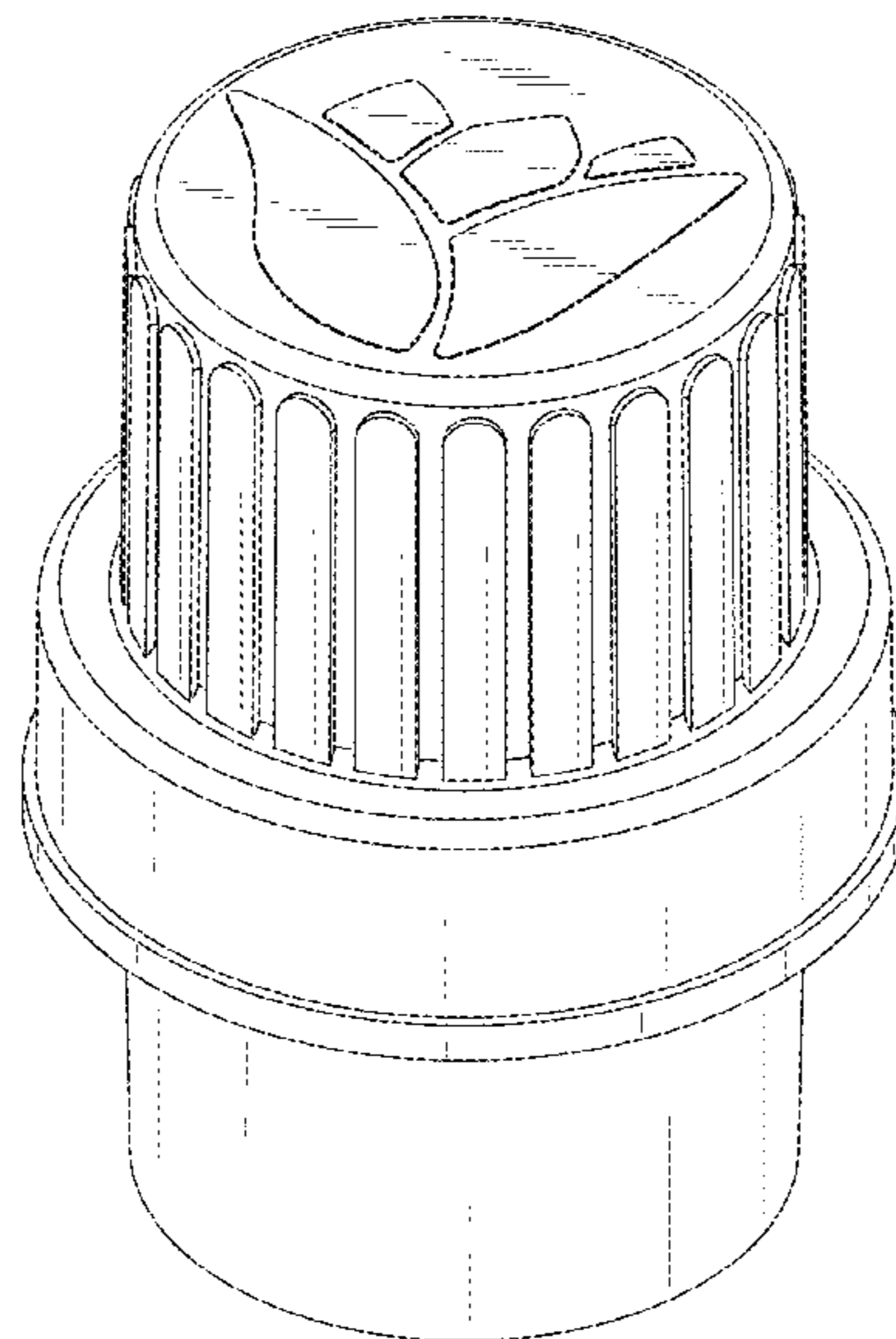
FIG. 3 is a front view of the measuring cap with flower design thereon, wherein the front view, back view and side views are all mirror image of each other;

FIG. 4 is a top view of the measuring cap with flower design thereon; and,

FIG. 5 is a bottom view of the measuring cap with flower design thereon.

The broken lines showing portions of the bottom in FIG. 5 are included to show features that form no part of the claimed design.

1 Claim, 4 Drawing Sheets



(56)

References Cited

U.S. PATENT DOCUMENTS

D638,707 S * 5/2011 Stoffers D9/451
D648,177 S * 11/2011 Eyal D7/510
D668,102 S * 10/2012 Peters D7/392.1
D690,201 S * 9/2013 Klebeck D9/439
D693,683 S * 11/2013 Ramsey D9/453

D695,115 S * 12/2013 Juna D9/447
D707,555 S * 6/2014 Vogel D9/436
D708,950 S * 7/2014 Zeid D9/453
D714,146 S * 9/2014 King D9/453
D715,146 S * 10/2014 Holmes D9/447
9,016,529 B2 * 4/2015 Druyan A47G 19/2266
222/454

* cited by examiner

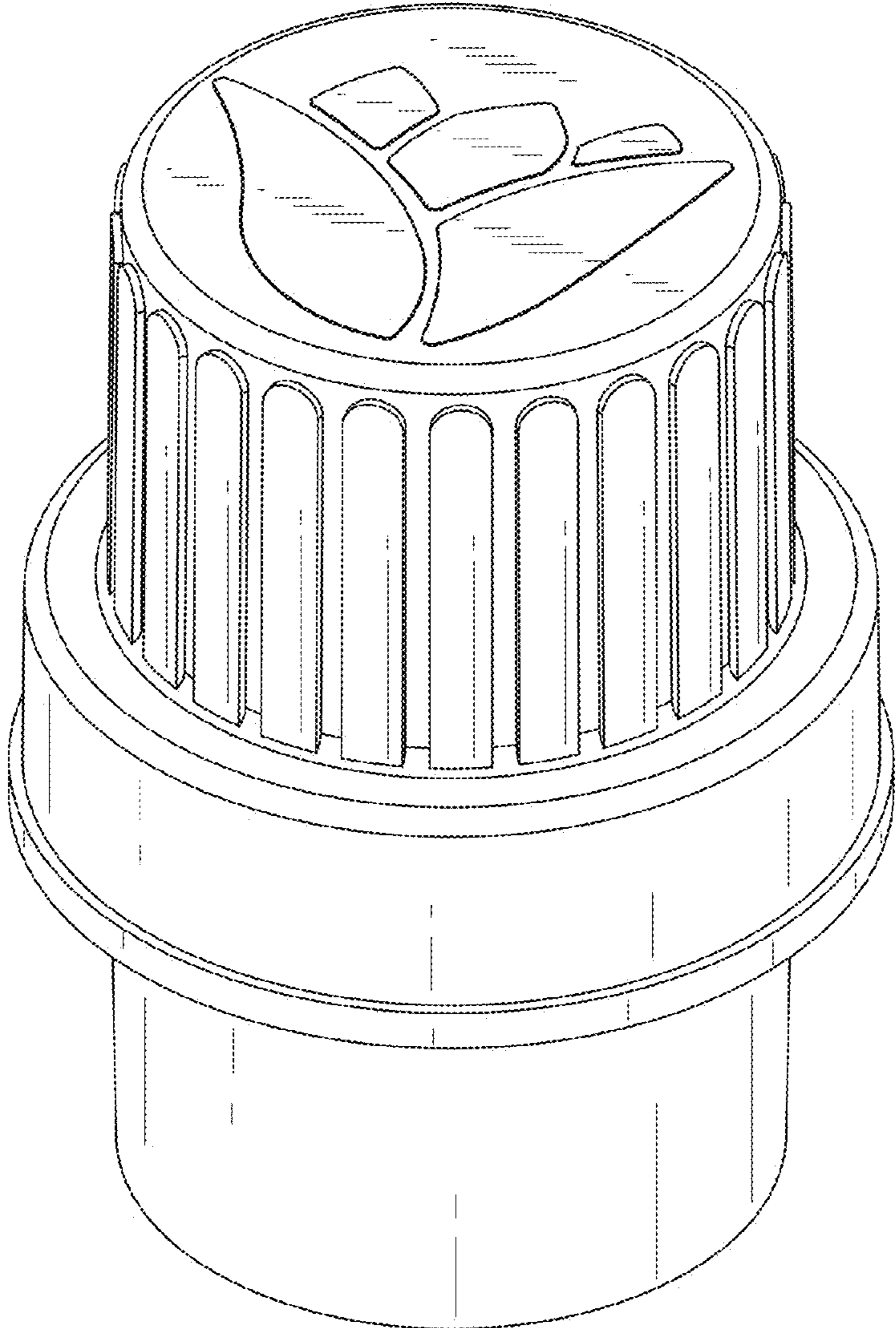


FIG. 1

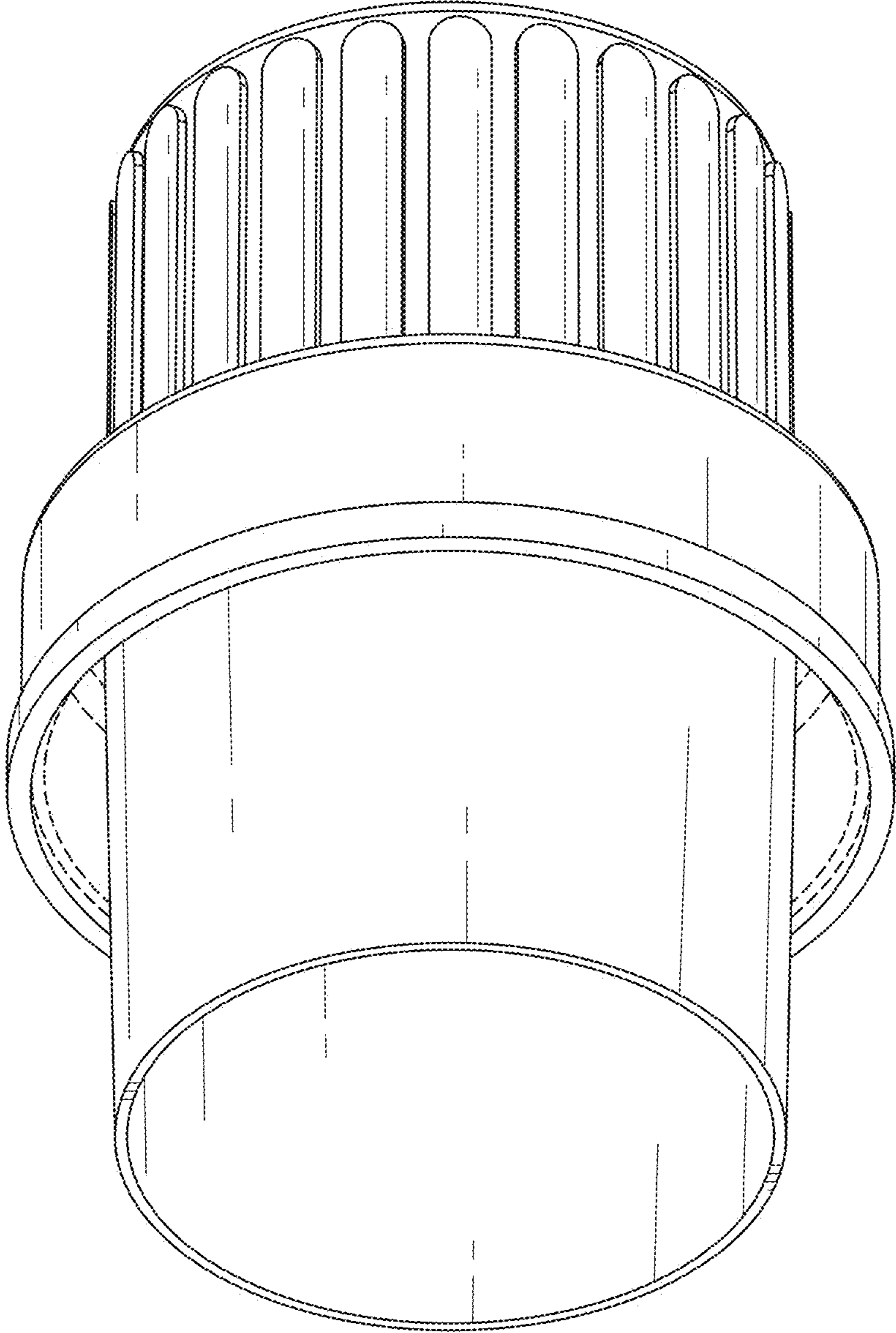


FIG. 2

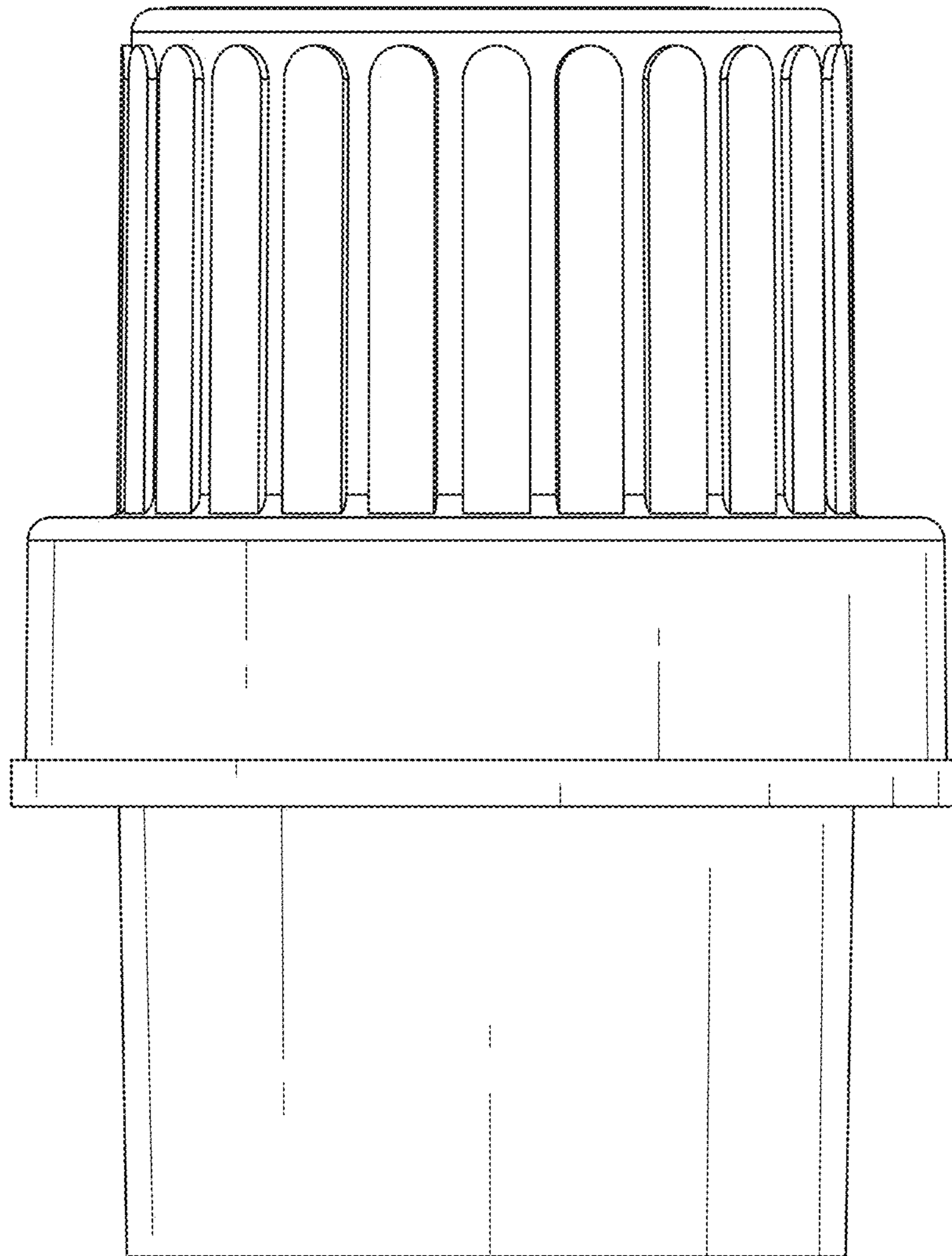


FIG. 3

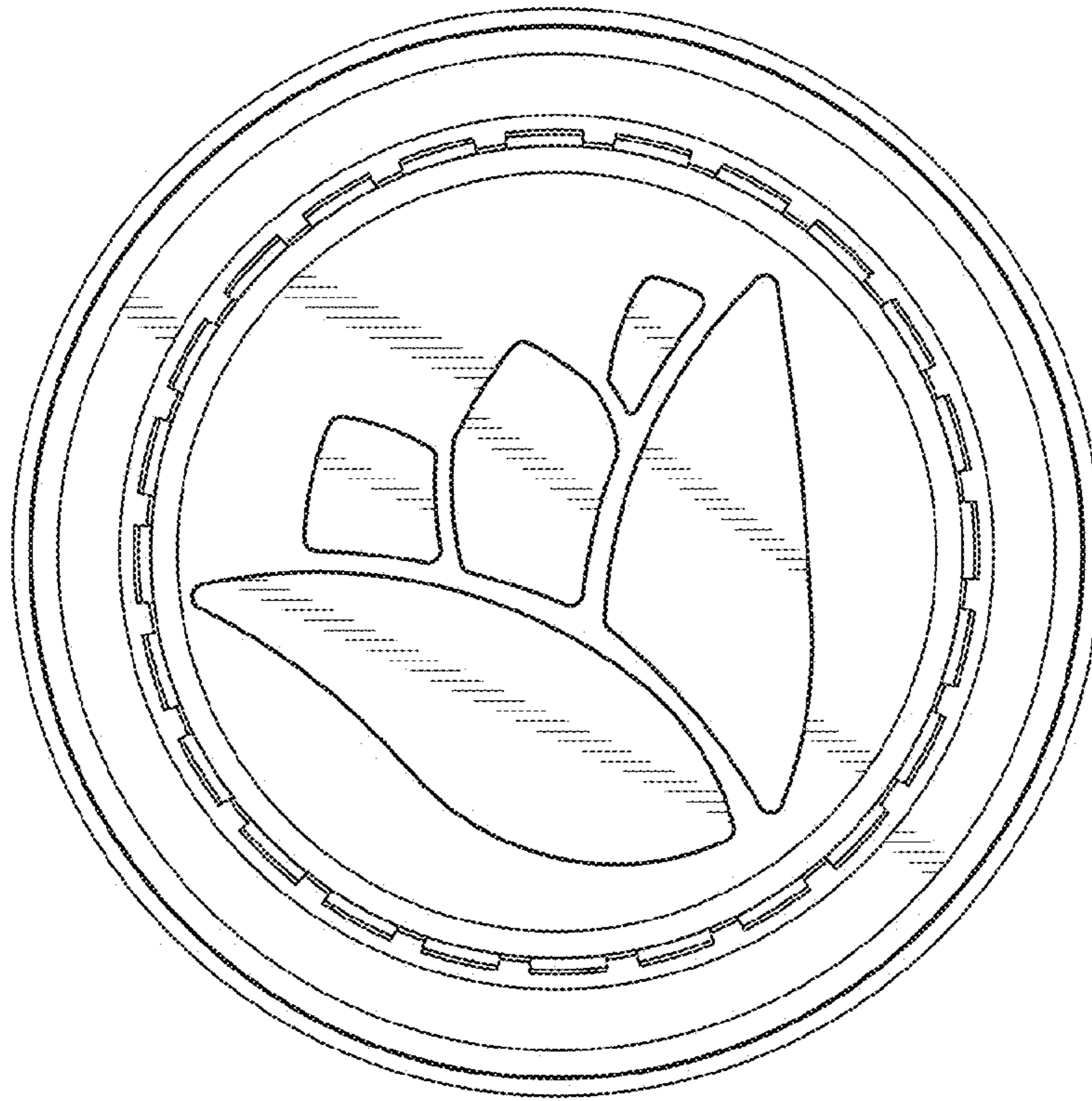


FIG. 4

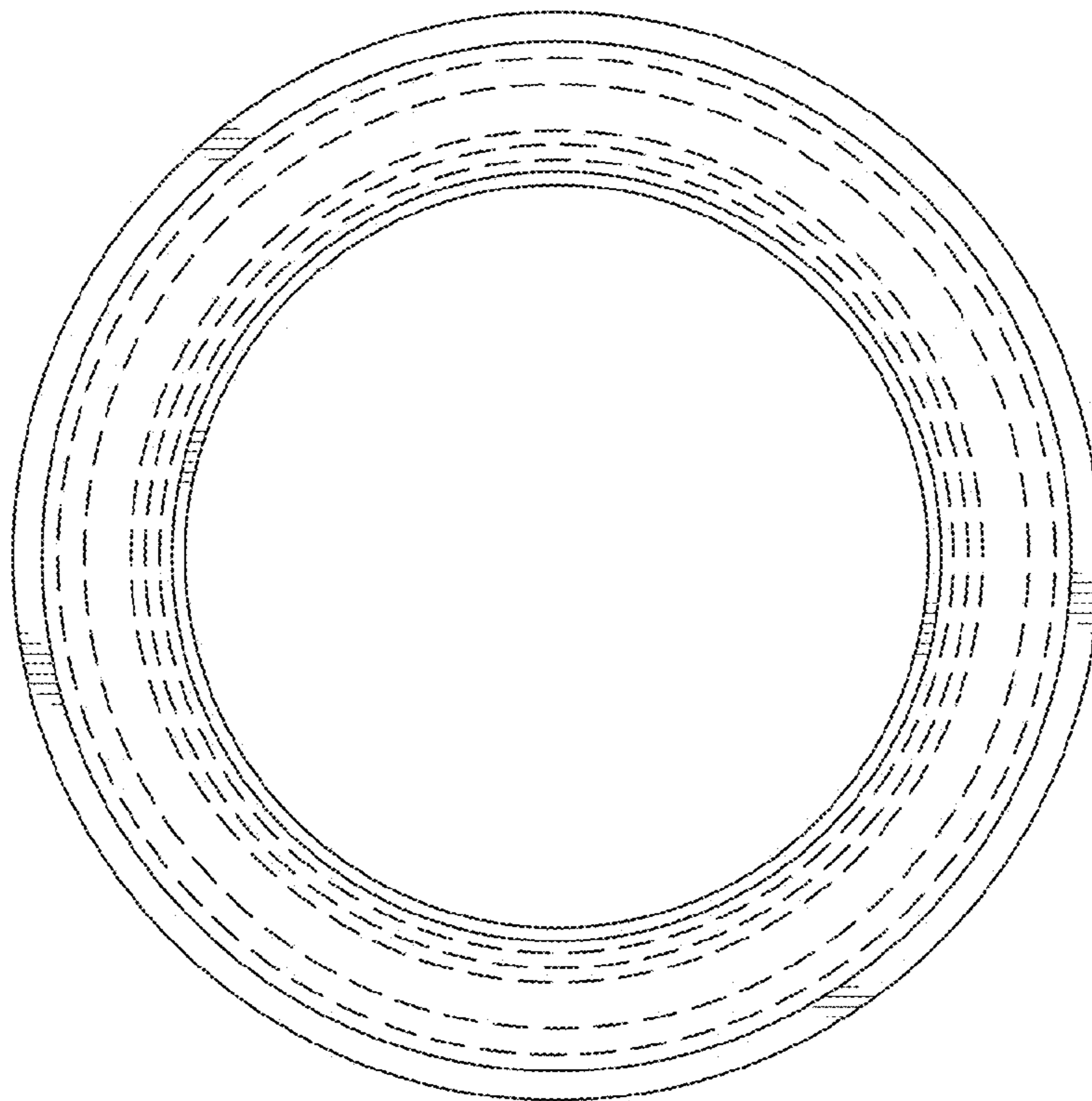


FIG. 5