



US00D763069S

(12) **United States Design Patent**
Lee et al.

(10) **Patent No.:** **US D763,069 S**

(45) **Date of Patent:** **** Aug. 9, 2016**

(54) **BRACKET FOR FIXING COMMUNICATION EQUIPMENT**

(71) Applicant: **Samsung Electronics Co., Ltd.**,
Suwon-si, Gyeonggi-do (KR)

(72) Inventors: **Eun-Uae Lee**, Seoul (KR); **Kyu-Cheol Kim**, Seoul (KR); **Gi-Chun Nam**,
Suwon-si (KR); **Joon-Taek Lee**,
Yongin-si (KR); **Tai-Hyung Ju**, Seoul
(KR); **Dong-Ju Choi**, Suwon-si (KR)

(73) Assignee: **SAMSUNG ELECTRONICS CO., LTD.** (KR)

(**) Term: **14 Years**

(21) Appl. No.: **29/518,058**

(22) Filed: **Feb. 19, 2015**

(30) **Foreign Application Priority Data**

Aug. 22, 2014 (KR) 30-2014-0041040

(51) **LOC (10) Cl.** **08-08**

(52) **U.S. Cl.**
USPC **D8/396**

(58) **Field of Classification Search**
USPC D8/349, 354–355, 358, 373, 380,
D8/382–383, 394, 396; D13/102, 118,
D13/149, 154, 155, 184, 199; D16/330,
D16/242; D25/123–125, 119; D21/484,
D21/500, 504
CPC A47G 1/00; A47G 25/00; F16L 3/00

See application file for complete search history.

(56) **References Cited**

U.S. PATENT DOCUMENTS

D270,035	S	*	8/1983	Pudwill	D8/349
D296,546	S	*	7/1988	Sachs	D13/149
D332,939	S	*	2/1993	McDonough, Jr.	D13/149
D381,113	S	*	7/1997	Safyan	D13/149
D393,417	S	*	4/1998	Glickman	D8/382
D451,786	S	*	12/2001	Wyatt	D8/354
D484,033	S	*	12/2003	Smith-Kielland	248/68.1
D522,351	S	*	6/2006	Taylor	D24/110
D576,479	S	*	9/2008	Alexander	D8/384
D627,213	S	*	11/2010	Hikoyama	D8/380
8,813,421	B2	*	8/2014	Schaeffer	47/44

* cited by examiner

Primary Examiner — Rosemary K Tarcza

Assistant Examiner — Nathaniel D Buckner

(74) *Attorney, Agent, or Firm* — Cantor Colburn, LLP

(57) **CLAIM**

The ornamental design for a bracket for fixing communication equipment, as shown and described.

DESCRIPTION

FIG. 1 is a perspective view of a bracket for fixing communication equipment, showing our new design;

FIG. 2 is a front view thereof;

FIG. 3 is a rear view thereof;

FIG. 4 is a side view thereof;

FIG. 5 is another side view thereof;

FIG. 6 is a top view thereof;

FIG. 7 is a bottom view thereof;

FIG. 8 is another perspective view thereof in an environment of use; and,

FIG. 9 is another perspective view thereof in another environment of use.

The broken lines are for environmental purpose only and form no part of the claimed design.

1 Claim, 7 Drawing Sheets

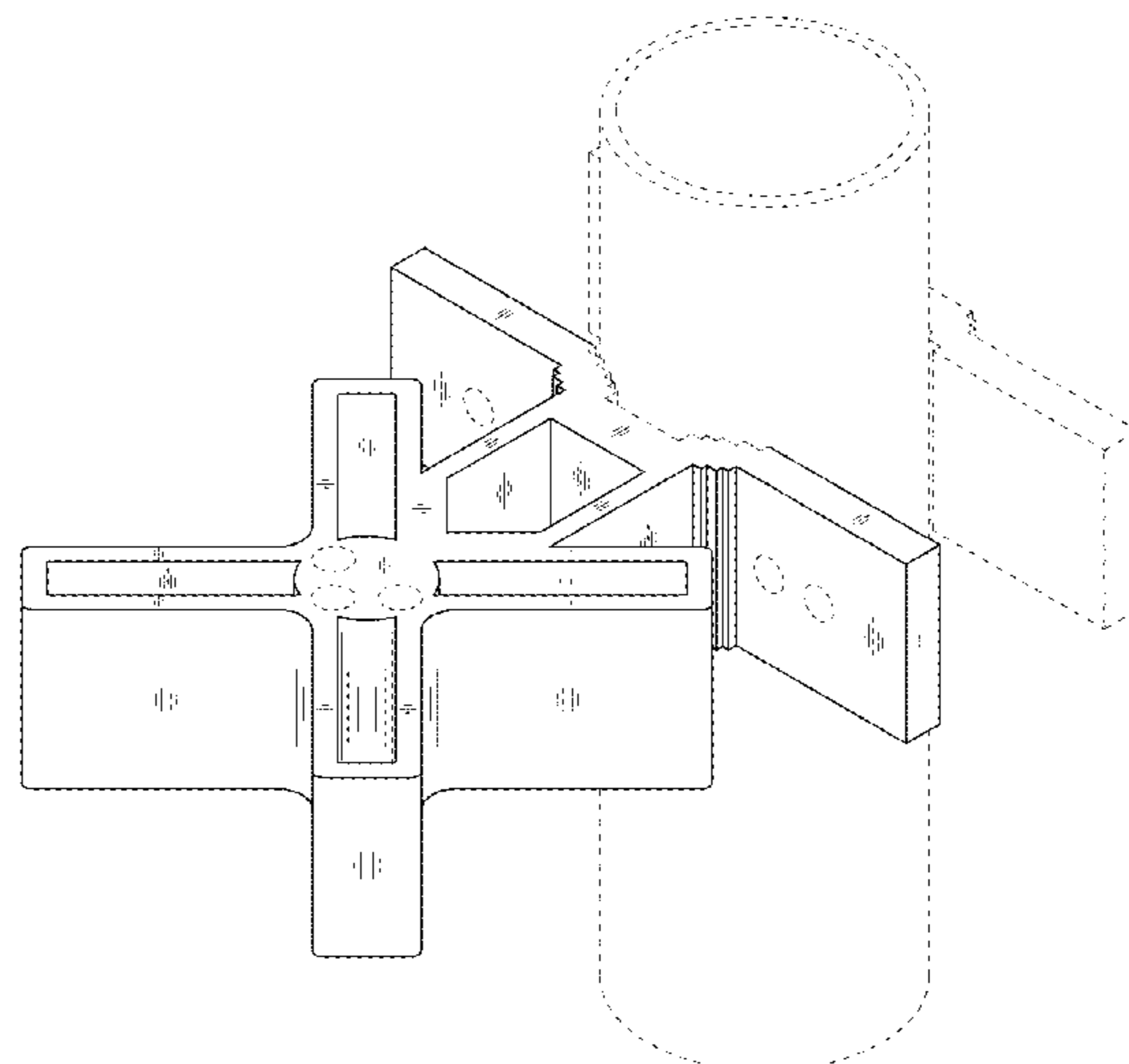
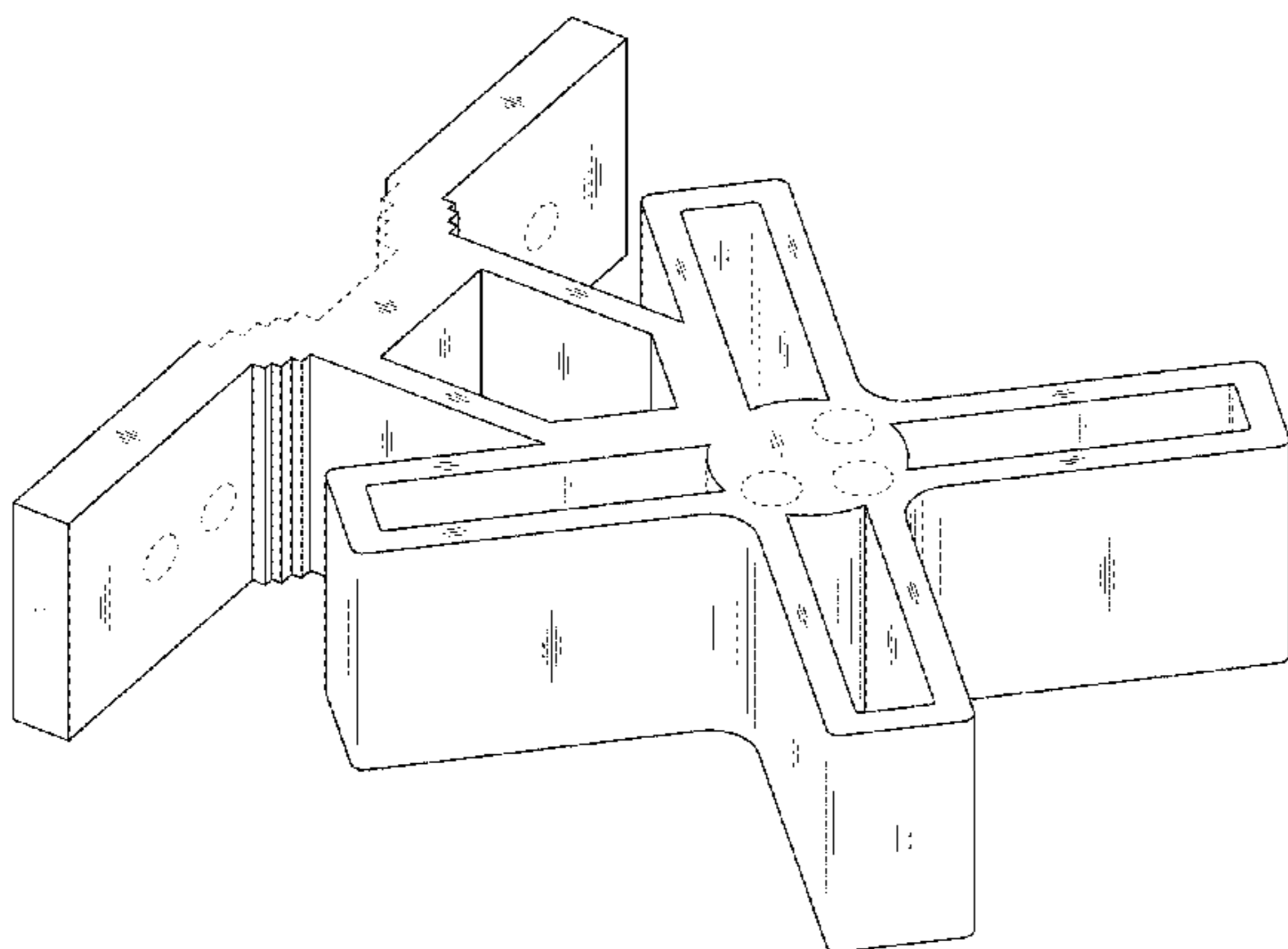


FIG. 1

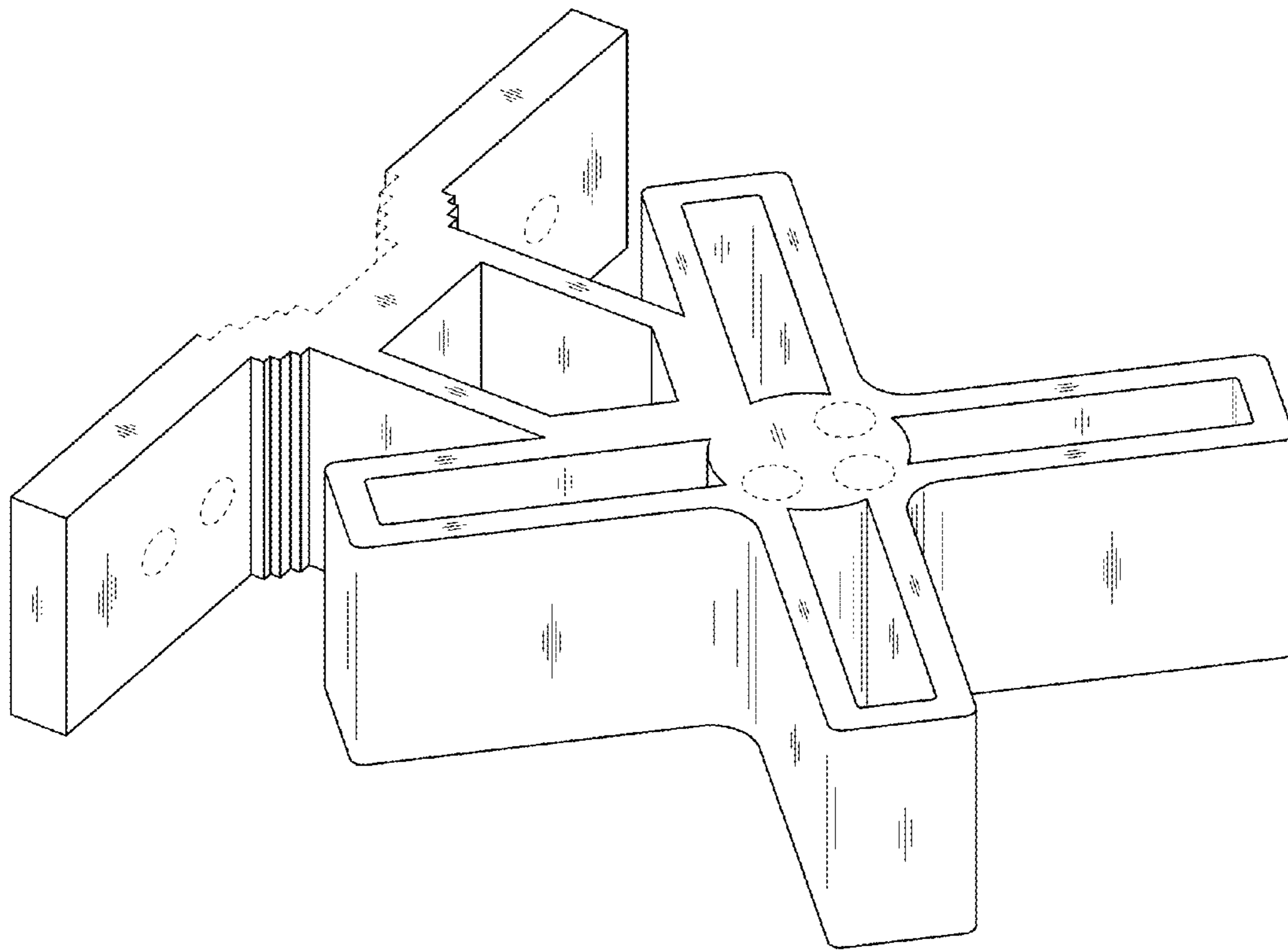


FIG. 2

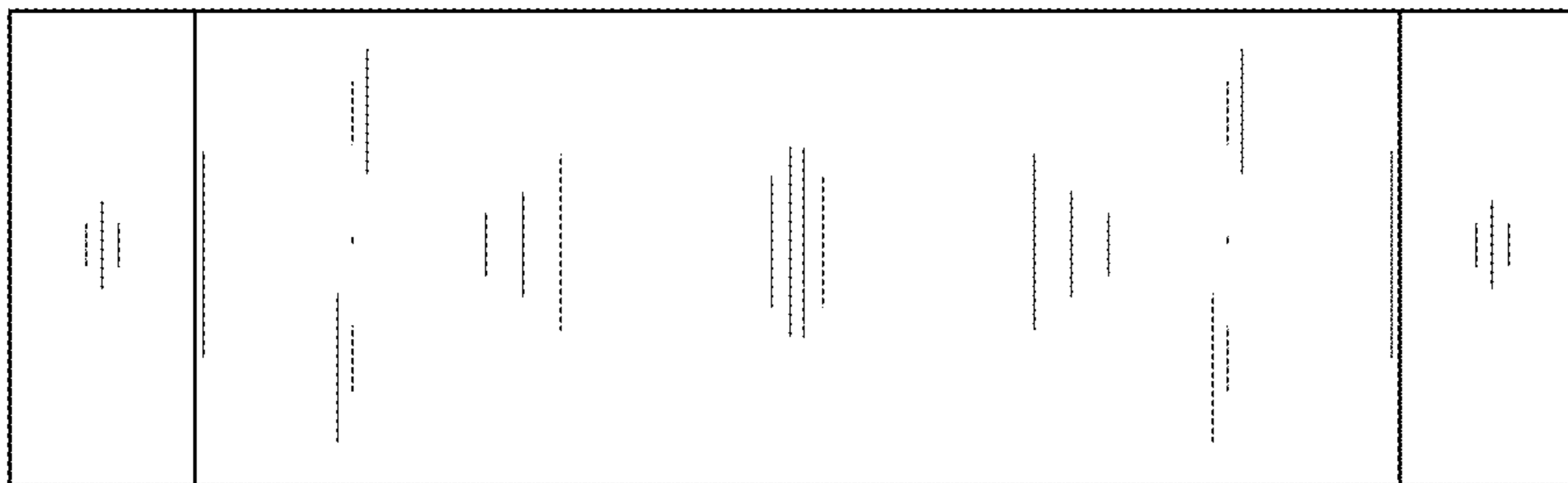


FIG. 3

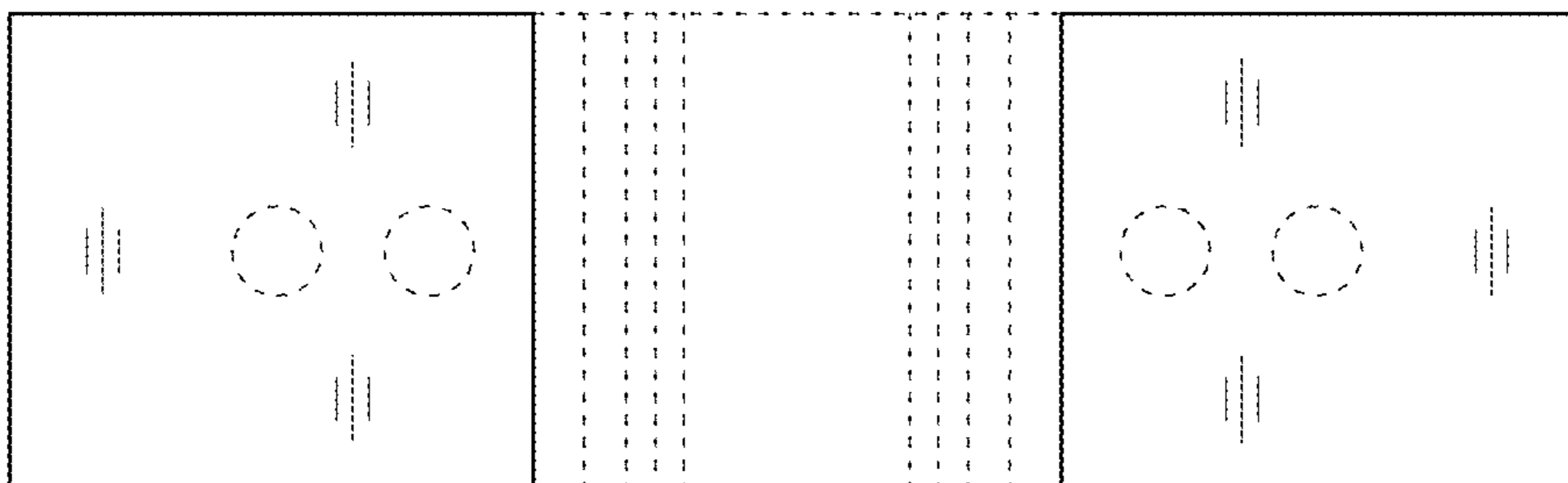


FIG. 4

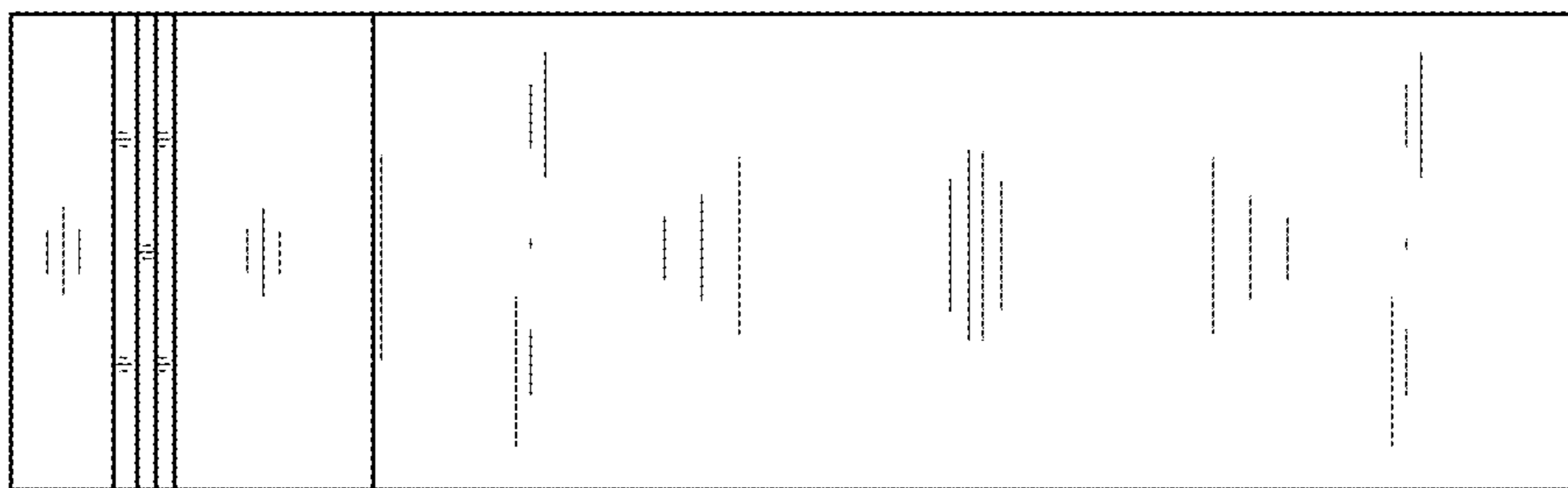


FIG. 5

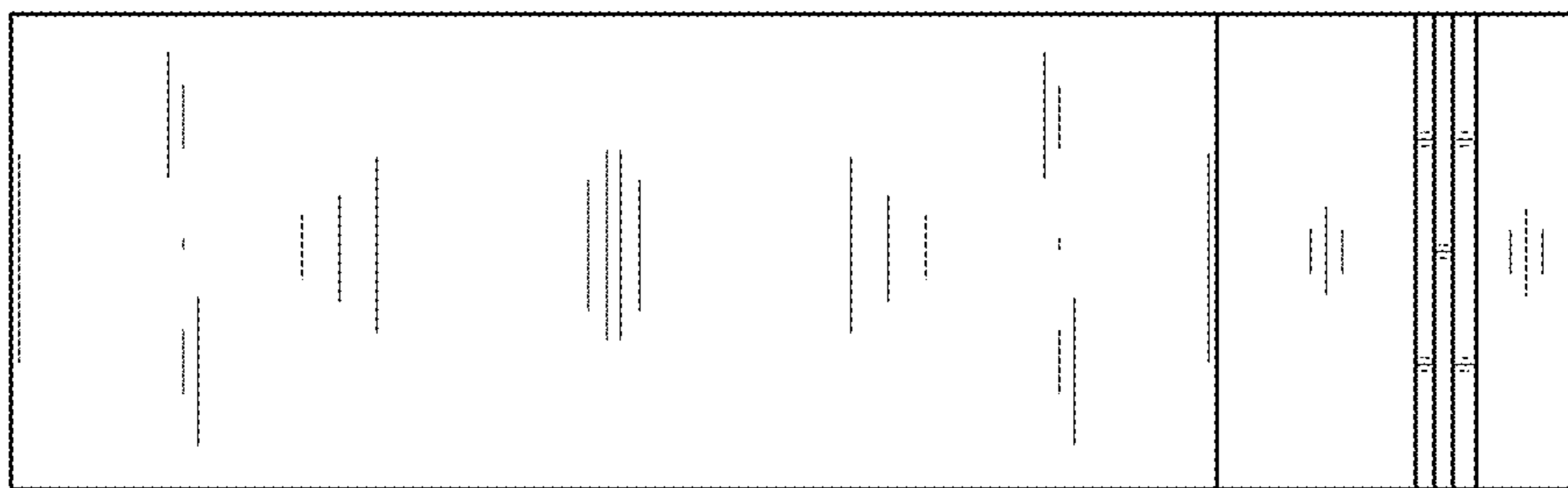


FIG. 6

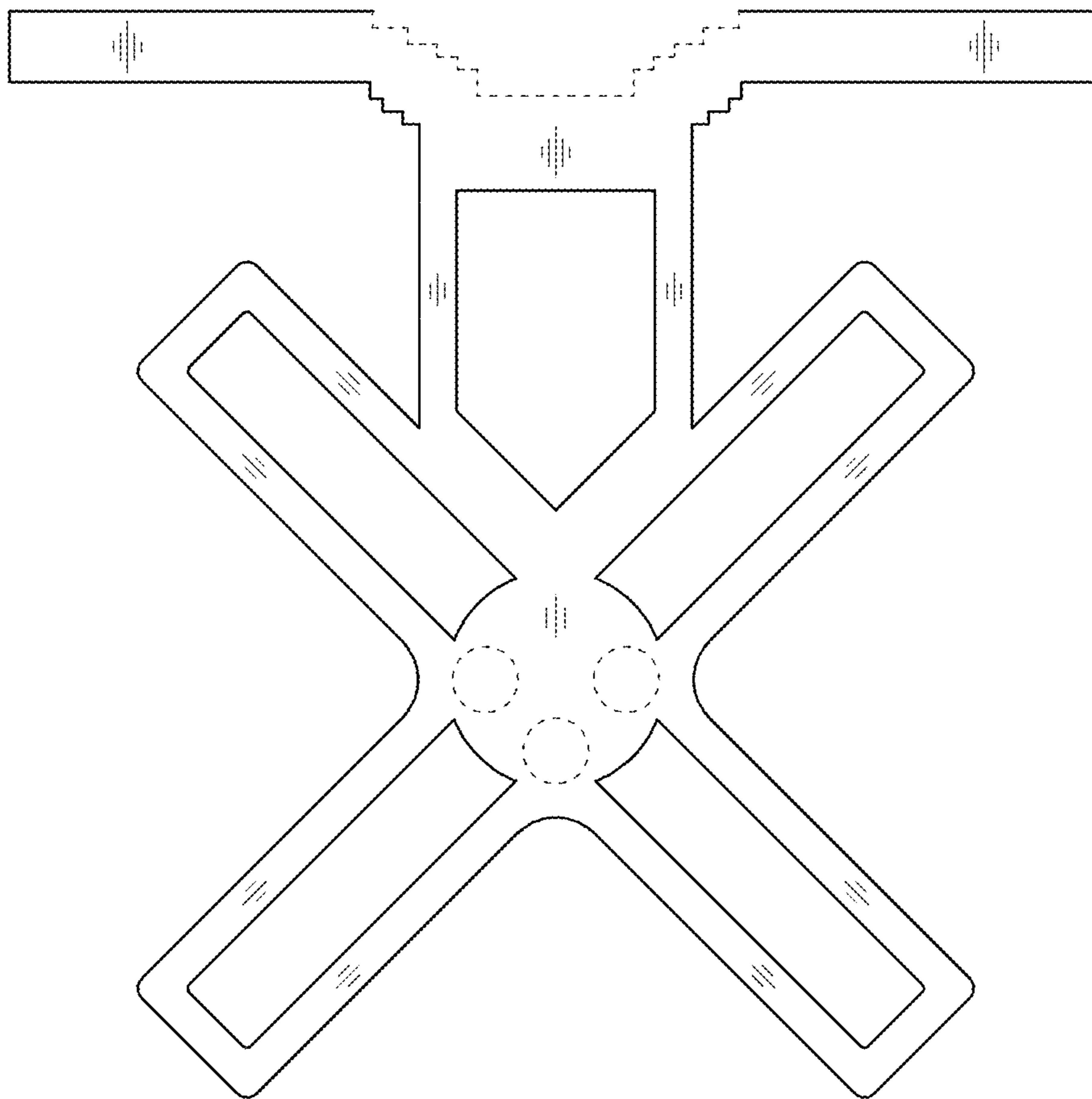


FIG. 7

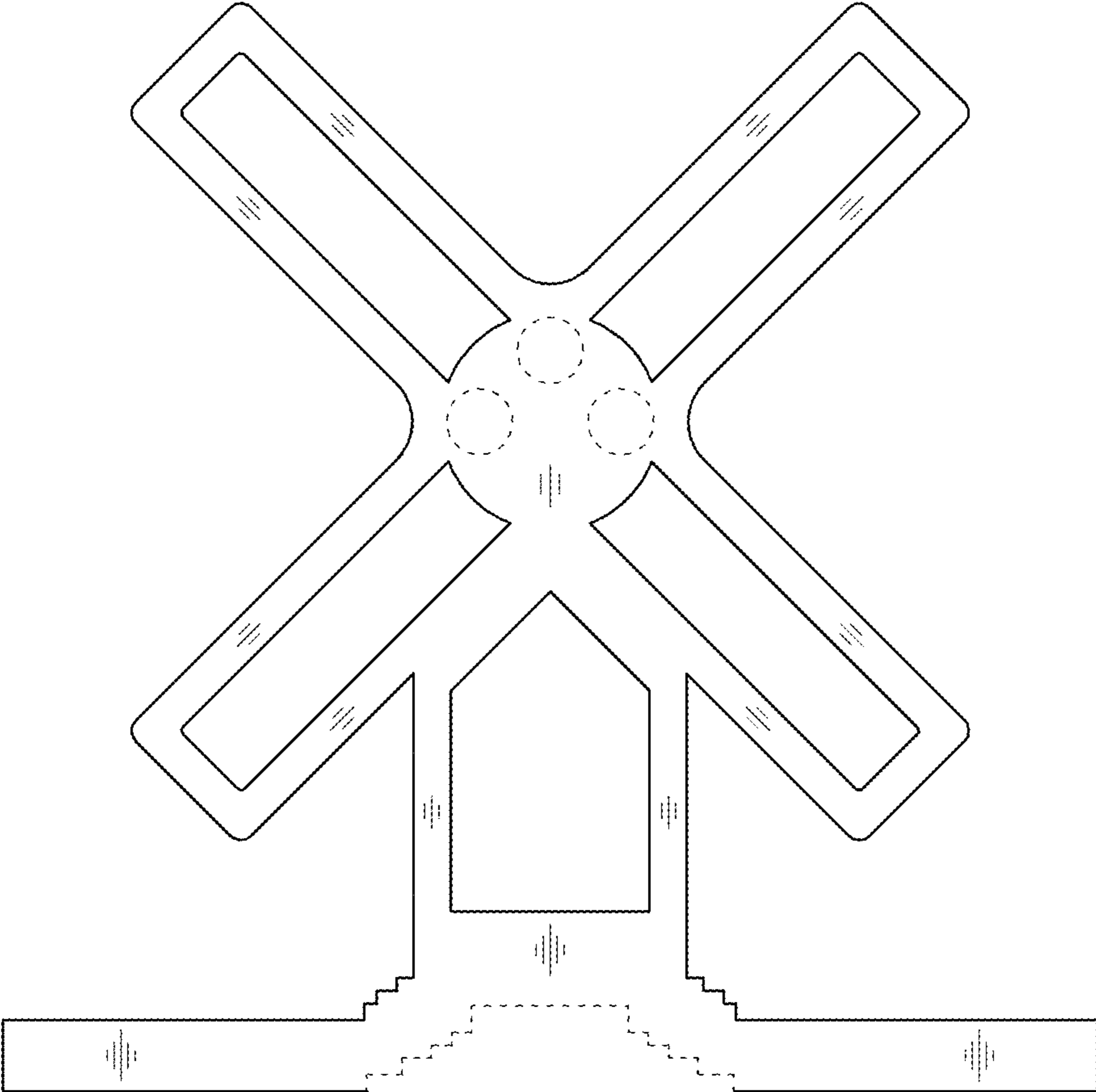


FIG. 8

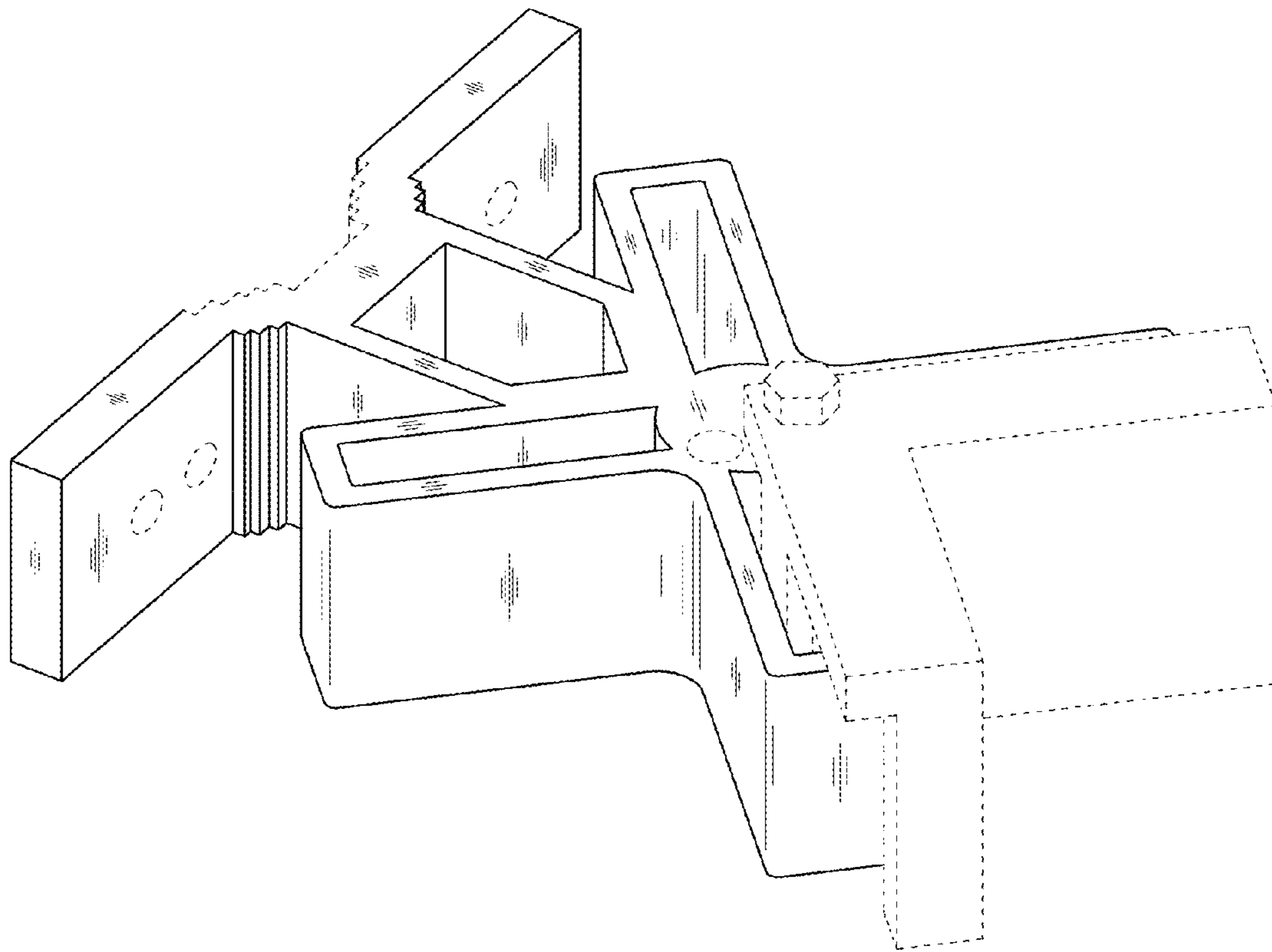


FIG. 9

